

**NEST OF TABLES, SET OF 2**  
**ITEM CODE: G-0607**  
**INSTRUCTION MANUAL**

**20 MINS**

ASSEMBLY TIME (APPROX.)



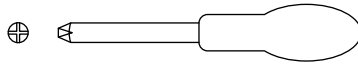
TO BE ASSEMBLED BY  
 1 PERSON

AREA  
 2M X 2M

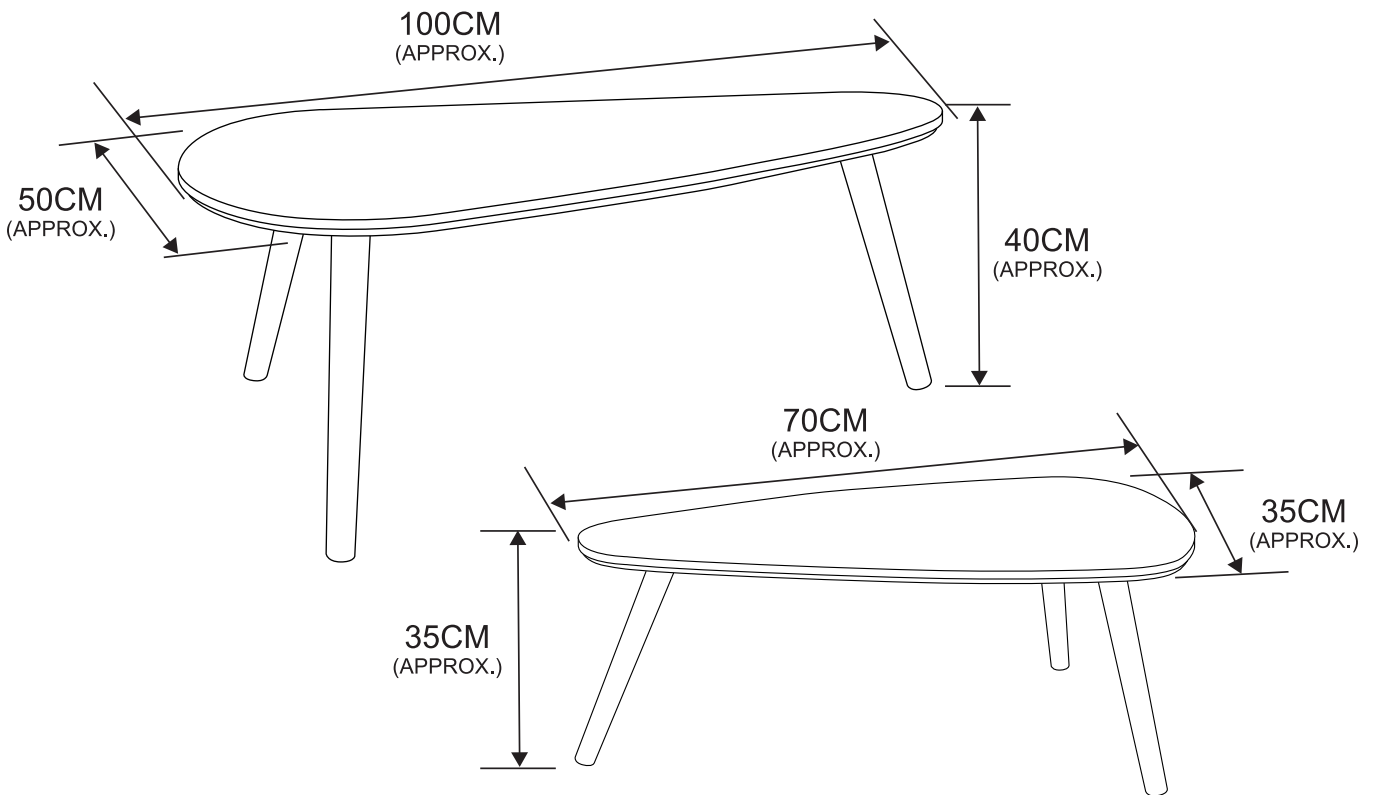


ASSEMBLY AREA  
 REQUIRED

REQUIRED TOOLS FOR ASSEMBLING



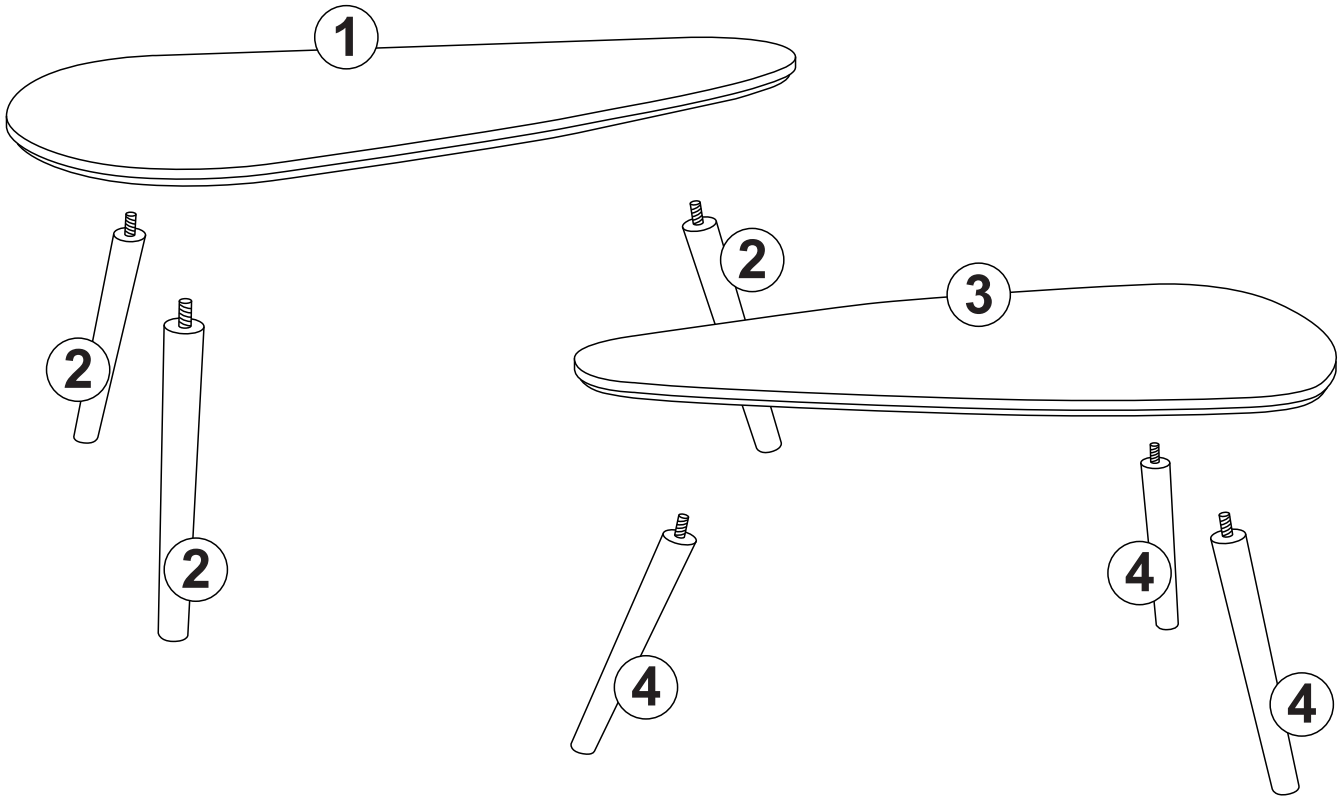
POZI SCREWDRIVER (NOT INCLUDED)



**NEST OF TABLES, SET OF 2**  
**ITEM CODE: G-0607**  
**INSTRUCTION MANUAL**

| NO | ITEM LIST         | QTY | NO | LISTE DES PIÈCES  | QTY |
|----|-------------------|-----|----|-------------------|-----|
| ①  | TABLE TOP (LARGE) | 1   | ③  | TABLE TOP (SMALL) | 3   |
| ②  | LEGS (LONG)       | 1   | ④  | LEGS (SHORT)      | 3   |

**ITEM LIST**



**NEST OF TABLES, SET OF 2**  
**ITEM CODE: G-0607**  
**INSTRUCTION MANUAL**

**TOOL LIST**

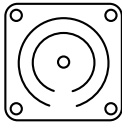
|   |     |
|---|-----|
|   | 4cm |
|   | 3cm |
|   | 2cm |
|  | 1cm |
|   | 0cm |

**x24**

Ø4 x 12mm

**A**

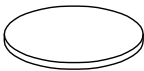
SCREW



**x6**

**B**

IRON PLATE



**x6**

**C**

PROTECTIVE FEET

# NEST OF TABLES, SET OF 2

## ITEM CODE: G-0607

### INSTRUCTION MANUAL



#### Safety Advice and Care Advice

KEEP ALL THE SAFETY ADVICE AND INSTRUCTIONS IN A SAFE PLACE FOR FUTURE REFERENCE!

#### **⚠ WARNING! RISK OF LOSS OF LIFE OR ACCIDENT**

**TO INFANTS AND CHILDREN!** Never leave children unsupervised with the packaging materials. Danger of suffocation.

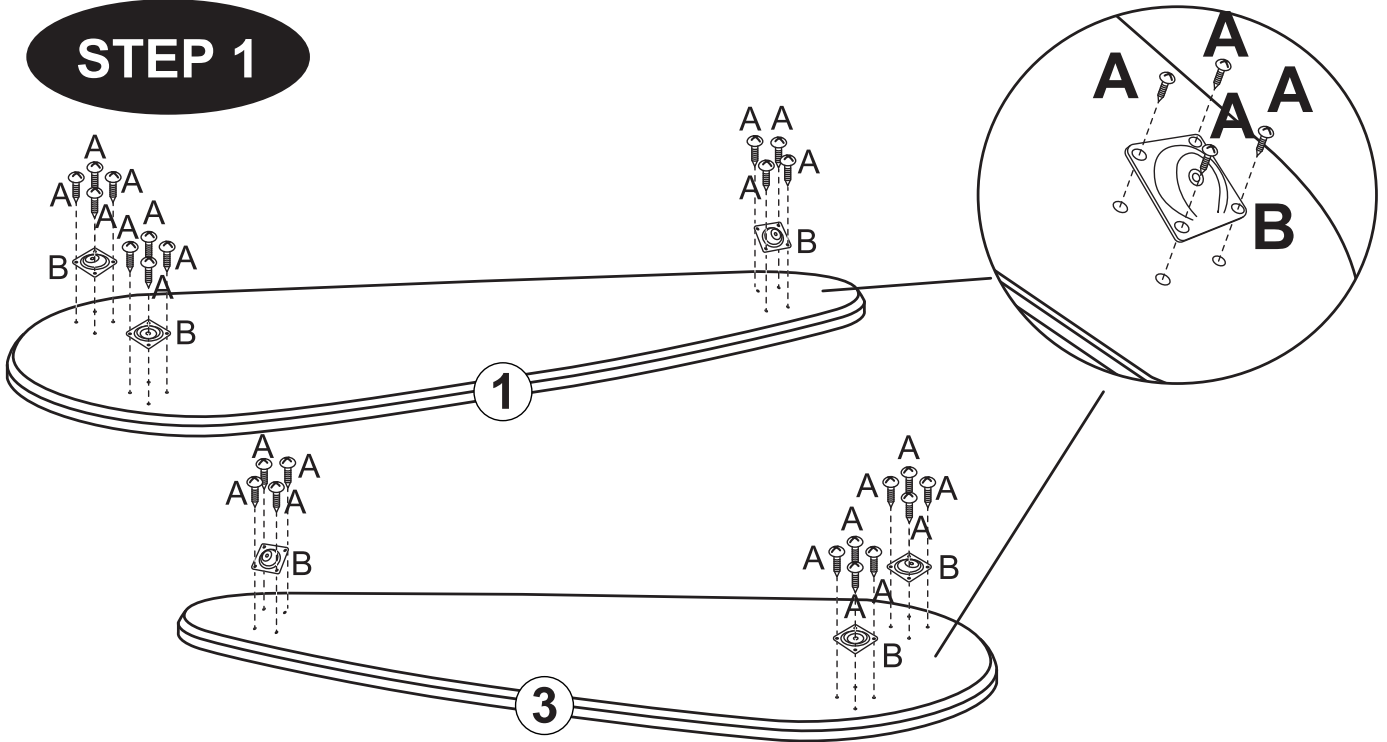
**⚠ CAUTION! RISK OF INJURY!** Make sure that all parts are undamaged and assembled correctly. Improper assembly carries a risk of injury. Damaged parts may affect the safety and function of the product.

- Make sure that this product is fixed on vertical wall securely and install shelves that are level.
- ⚠ CAUTION!** Do not leave children unsupervised! The product is not a climbing frame or a toy! Make sure that nobody, especially a child, climbs on or leans against the product.
- Distribute weight evenly across the product so that it cannot overturn.
- Do not load more than a total of 9kg onto the product, otherwise there is a risk of injury and/or damage to the product.
- Check that the product is stable before using it.
- Do not lift or move the product when it is loaded.
- Keep away from fire and inflammable objects.
- **Wipe clean with a damp cloth.**
- Make sure that all screws and fixings are secure before use.
- Do not place very hot or very cold items on the surface(s) unless adequately thick table mats are used.
- Please periodically check all fittings and re-tighten as necessary.
- Domestic use only.

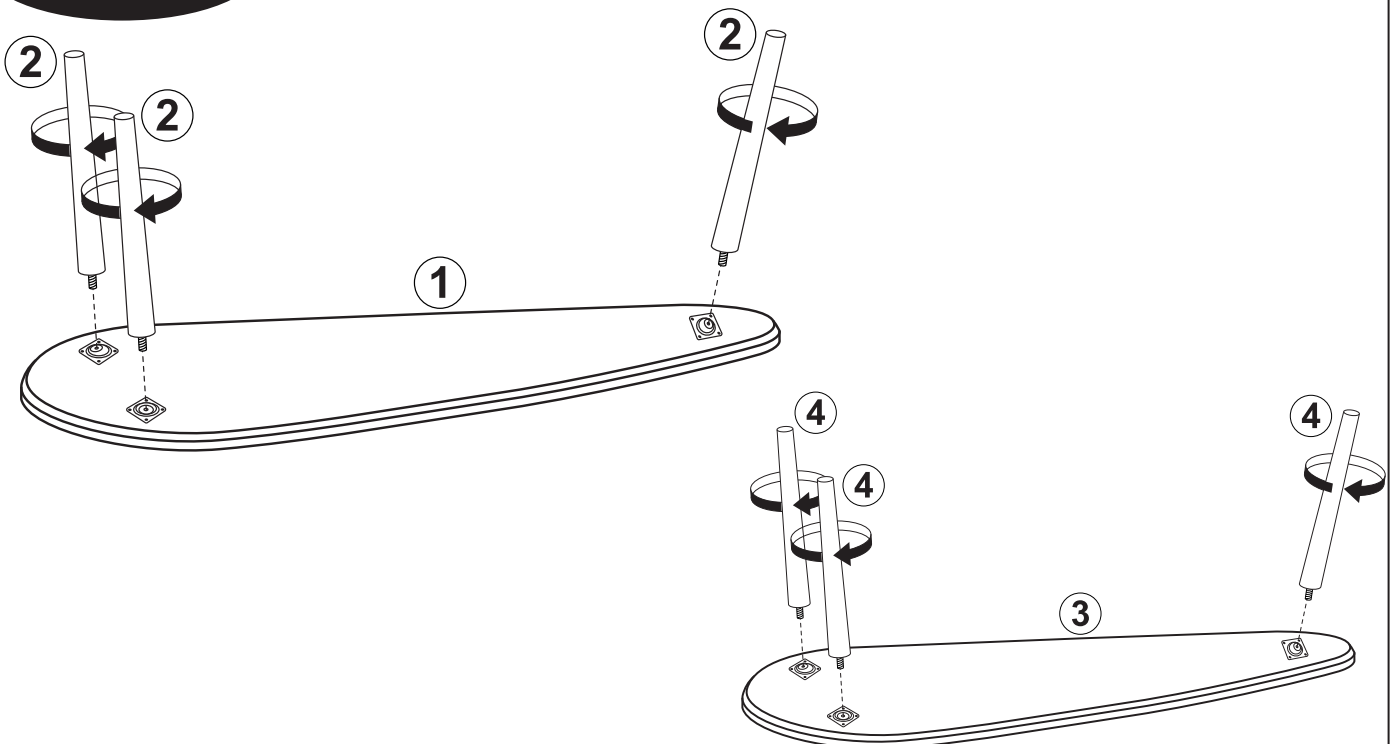
# NEST OF TABLES, SET OF 2

ITEM CODE: G-0607  
INSTRUCTION MANUAL

## STEP 1

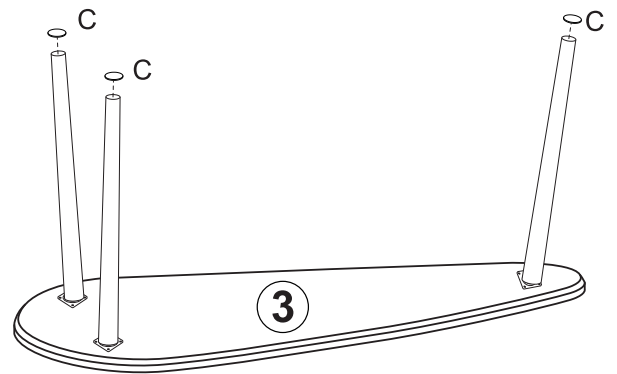
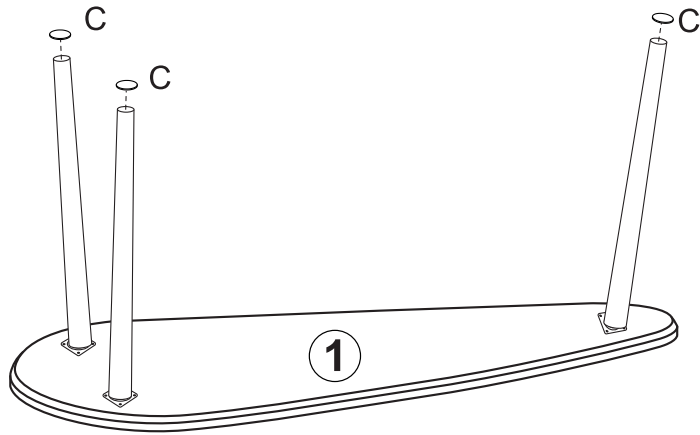


## STEP 2

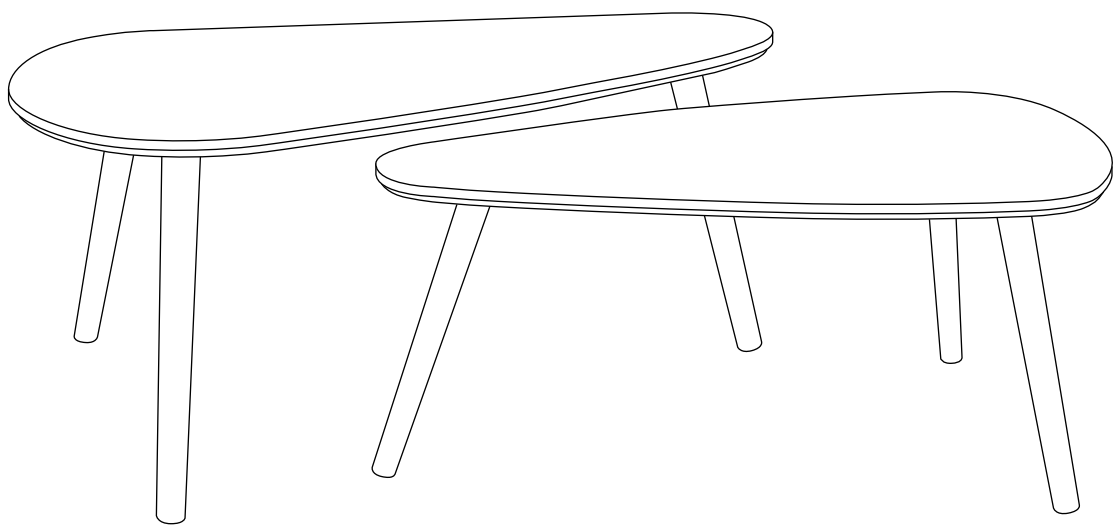


**NEST OF TABLES, SET OF 2**  
**ITEM CODE: G-0607**  
**INSTRUCTION MANUAL**

**STEP 3**



**STEP 4**



DOMESTIC USE ONLY

MAXIMUM LOAD LIMIT: 10KG (5KG/TABLE)

6-6

Made in China  
Manufactured for Gill HK Limited BD4 9SW  
www.gillhk.com