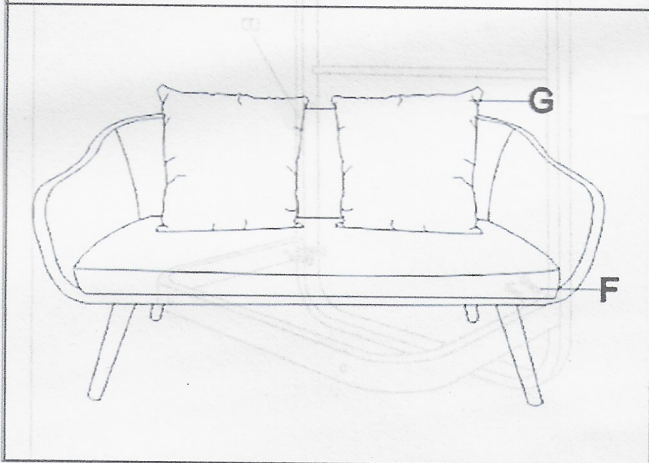
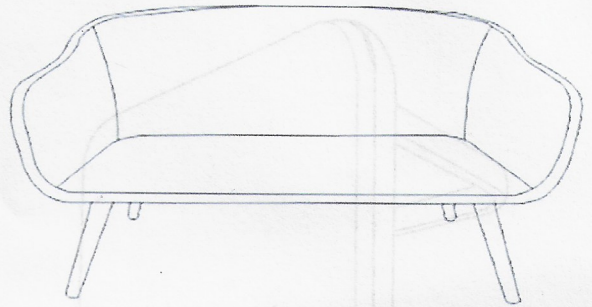
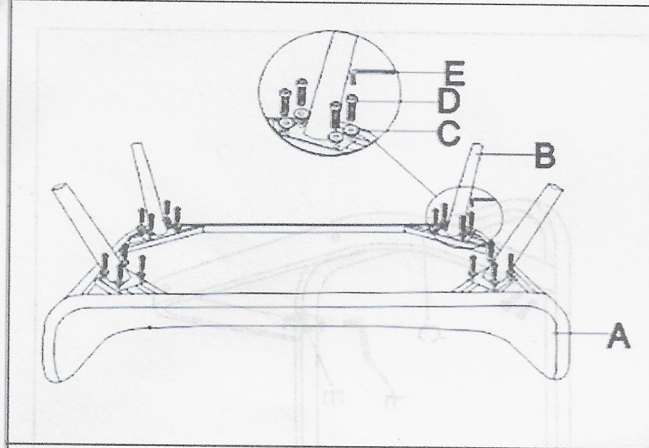


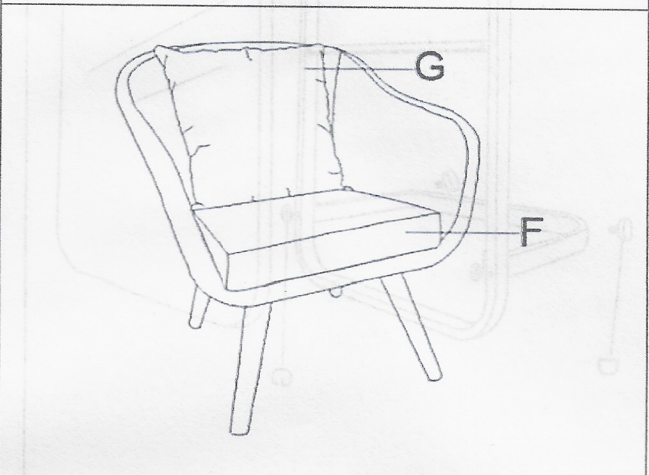
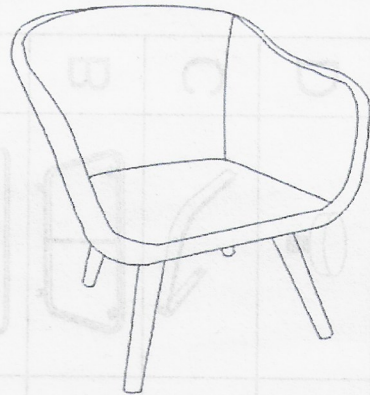
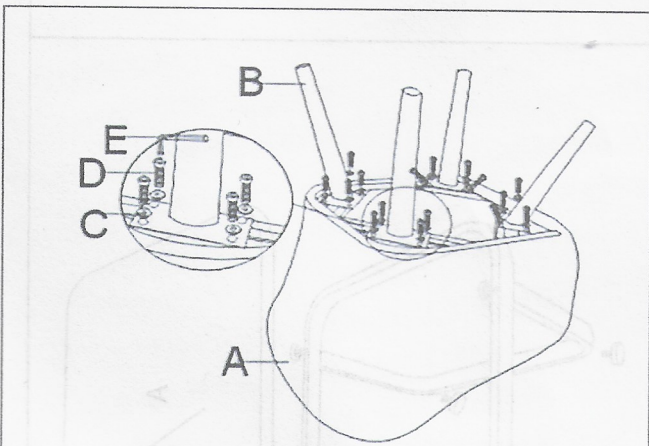
A	F	1	1	1
B	G	1	4	4
C		2		
D		4		
E		8		



Use of power tool will invalidate your claim



 Ax1	 Bx4	 Cx16
 Dx16	 Ex1	 Fx1
 Gx2		



 Ax1	 Bx4	 Cx16
 Dx16	 Ex1	 Fx1
 Gx1		

Use of power tool will invalidate your claim



Use of power tool will invalidate your claim