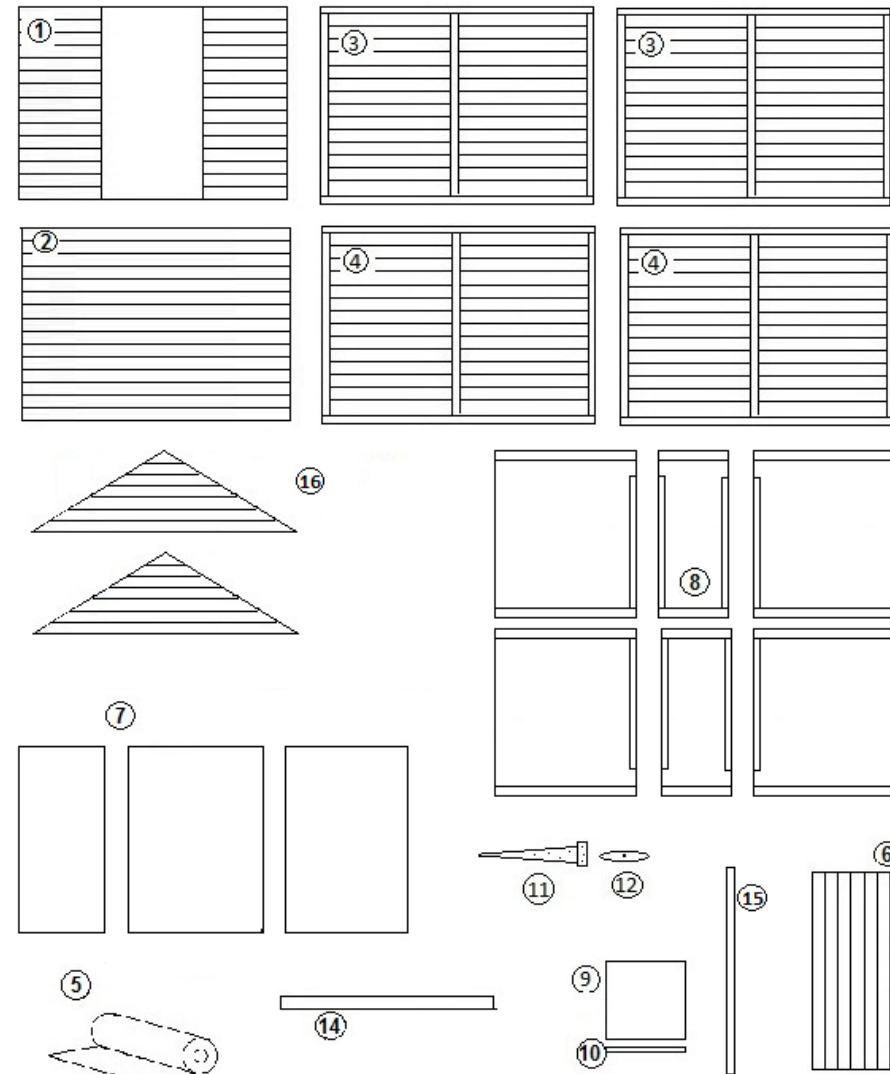




The type and quantity of components may vary for different style sheds.
 Assembly of all shed styles is by the same method as detailed.

Before assembling the shed, please check that all parts are present. Report any shortages or other issues immediately.

DO NOT attempt to modify the shed or any of its parts as this may invalidate the warranty.



| No. | Components | Number |
|-----|--------------------------------------|---|
| 1 | Front panel | 1 |
| 2 | Rear panel | 1 |
| 3 | Right side panel | 2 (8ft deep shed has 1 side panel) |
| 4 | Left side panel | 2 (8ft deep shed has 1 side panel) |
| 5 | Felt | 1 |
| 6 | Door | 1 (single door) 2 (double door) |
| 7 | Floor (may be 2 or 3 panels) | 2 or 3 |
| 8 | Roof panel | 4 or 6 |
| 9 | Windows (optional) | Optional |
| 10 | Window bead 15mm x 20mm (optional) | Optional |
| 11 | Tee Hinges | 3 (single door) 6 (double door) |
| 12 | Turn button | 1 (single door) 2 (double door) |
| 13 | Floor bearers tanalised 26mm x 38mm | Variable |
| 14 | Barge boards | 4 |
| 15 | Corner cover strips 11mm x 41mm | 4 |
| 15 | Side panel joining strip 11mm x 41mm | 2 (8ft deep shed has no joining strips) |
| 16 | Apex | 2 |

| No. | Fixings | |
|-----|--|--|
| 1 | 60mm screws | |
| 2 | 40mm screws | |
| 3 | 25mm black screws | |
| 4 | 30mm nails | |
| 5 | 10mm clout nails | |
| 6 | 30mm panel pins (windows options only) | |

1. Floor Section

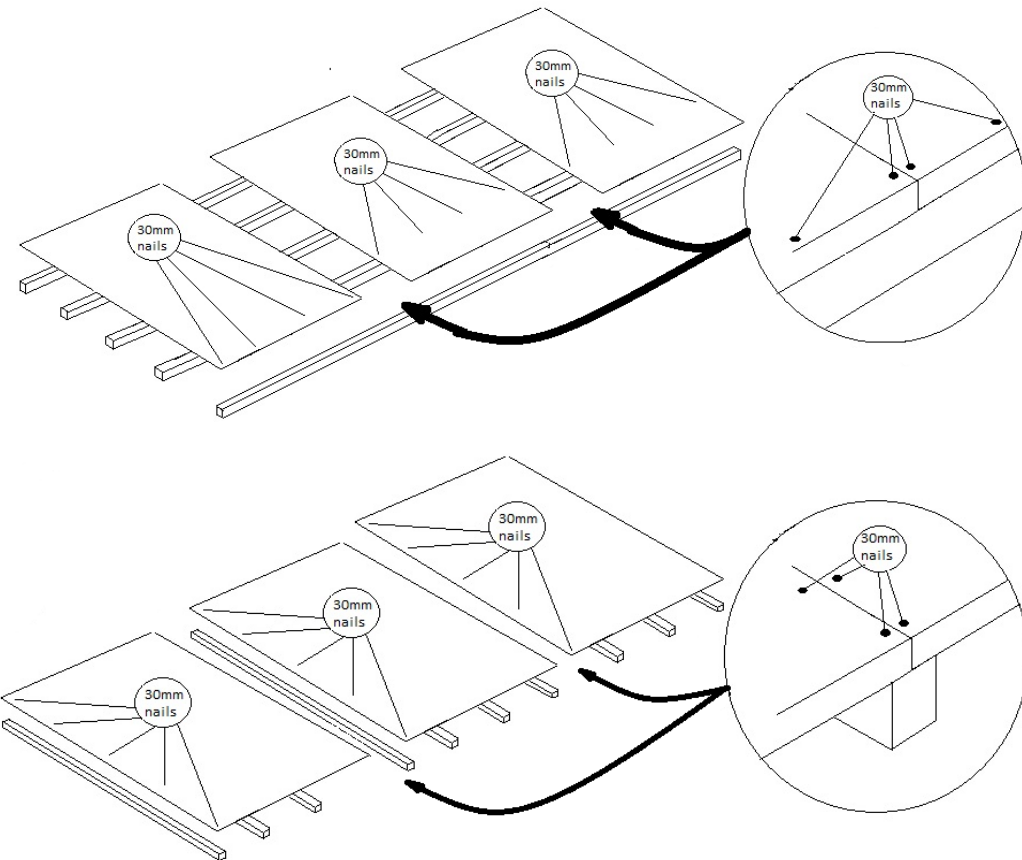
The floor and floor bearers are supplied separately. The ROOF is supplied with batons attached.

If your shed has two or more floor boards, please follow one of the following methods shown in the diagram below.

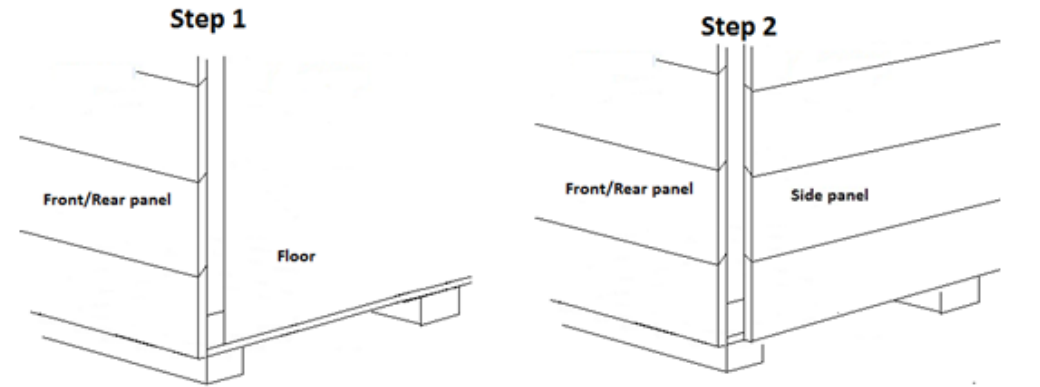
The floor bearers will be either the same length as the width or the depth of the floor.

Place each floor bearer approx. 30cms apart ensuring that one bearer is fixed along both outer edges of the floor.

Fix the floor bearers to the floor using the 30mm nails. Lay the floor board on top of bearers and nail through the floor into the bearers.



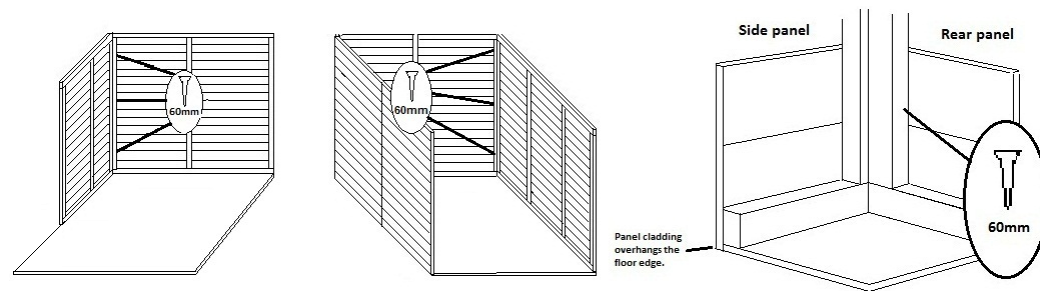
2. Wall Panels



Step 1. Position the first side panel so that the edge of the panel is flush with the edge of the floor and the overhang on the bottom of the panel is butted up to the floor.

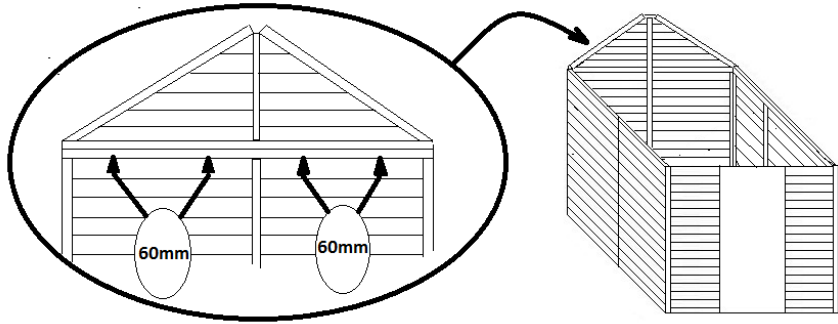
Step 2. Then place the front or rear panel along the edge of the floor and line up the framework of both of the panels to make a corner.

Step 3.



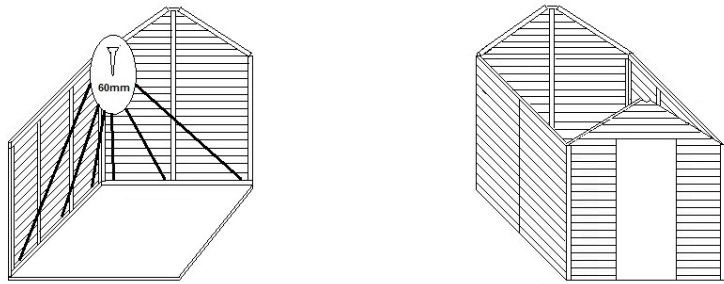
Secure the rear and side panels together as shown above, using 60mm screws. Note that the framework of the panels rests on the floor with the cladding over hanging. Continue until all sides including the front panel are in place and fixed together.

Step.4



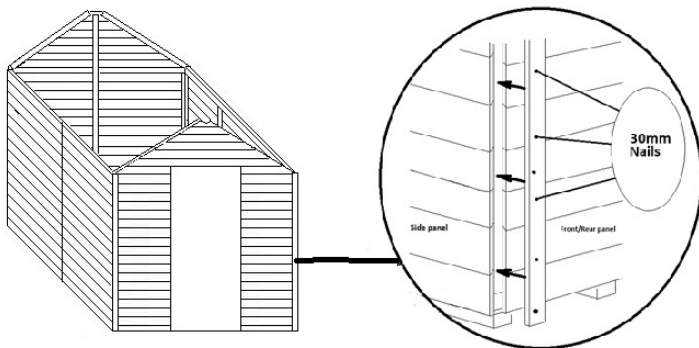
Position the front and rear apex panels on to the top of the front and rear panels. Fix the apex panels in place using the 60mm screws as shown above.

Step.5



When all sides of the shed are upright and screwed together, use the 60mm screws to secure the side to the floor as shown above.

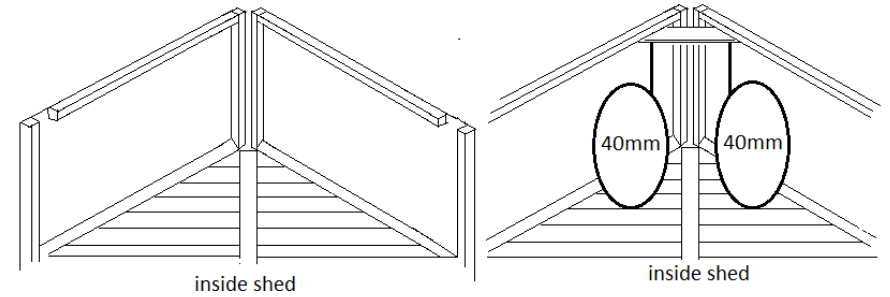
Step.6



Fix the 4 corner strips using the 30mm nails as shown above. Fix the side panel join covers using the 30mm nails.

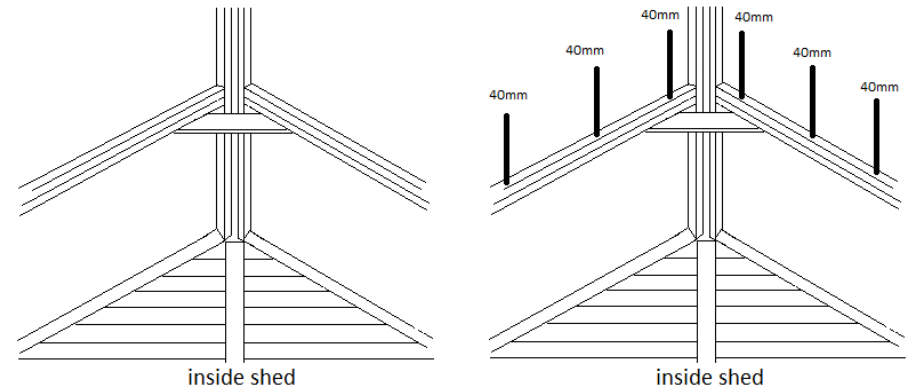
3. Roof

Step.1



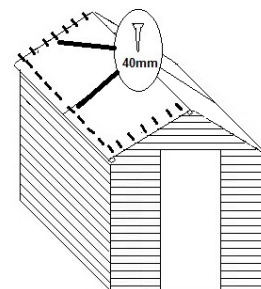
Lay two of the large roof boards onto the shed as shown. Using the 40mm screws, fix the roof brace into position by screwing through the brace into the baton of the roof.

Step.2

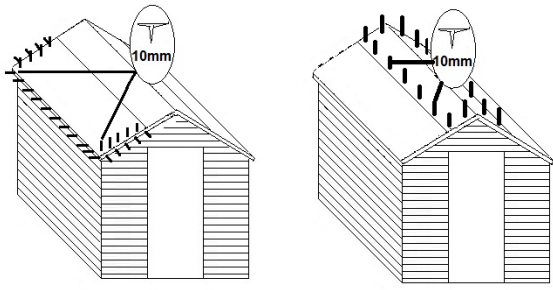


Place the next two roof boards onto the shed in the same manner. Secure all roof boards together as shown above.

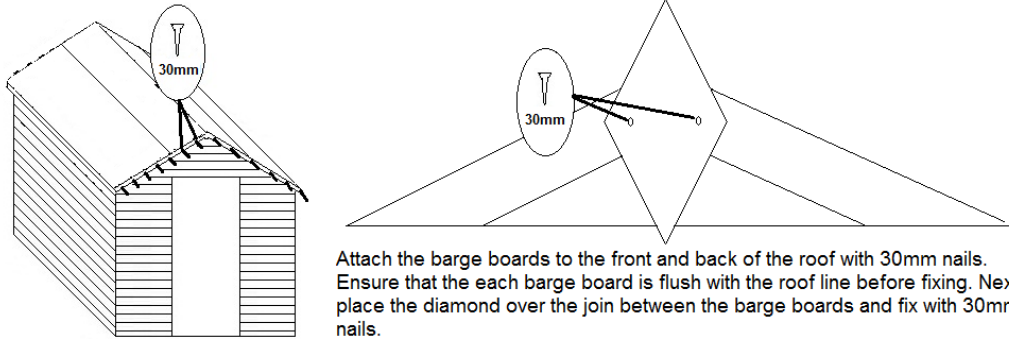
If the shed has more than four roof boards, continue adding the roof boards and braces until the roof is fully assembled.



Once all roof boards are in position, ensure the the roof is overhanging the front and rear gable ends evenly and then fix into place with 40mm screws. As shown to the left.



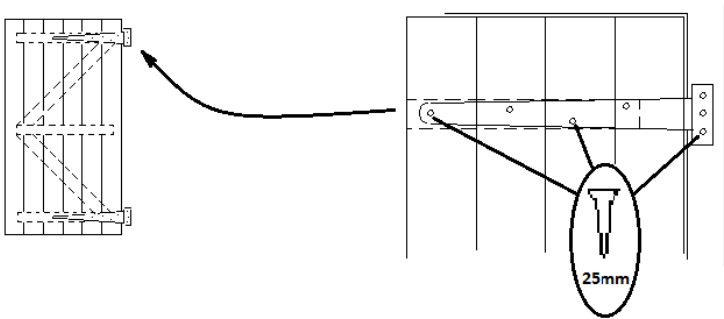
If the shed has more than two lengths of felt, position the first length along the lower edge on one side of the roof and fix as shown. Repeat on the other side of the shed. Place the final piece of the felt over the apex of the roof, ensuring that it overlaps the existing felt and fix with clout nails.



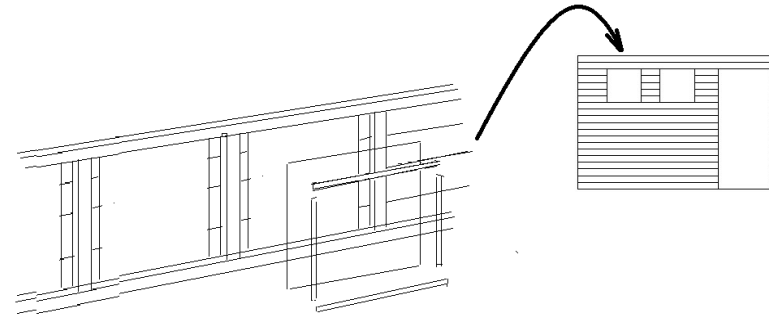
Attach the barge boards to the front and back of the roof with 30mm nails. Ensure that each barge board is flush with the roof line before fixing. Next place the diamond over the joint between the barge boards and fix with 30mm nails.

4. Doors

Lie the door on a flat surface with the cladding facing upwards. Take one T hinge and position on the door as shown below, making sure that the T hinge is directly above the brace on the underside of the door. Fix the T hinge into place with the 25mm black screws. Repeat for the next T hinge. With the T hinges secured, position the door squarely in the door frame. Fix the top hinge first and the bottom hinge second with the 25mm black screws. Make sure that the door can open and close freely.



5. Windows (optional)



To fit the windows it is recommended that a waterproof sealant is applied around the edge of the glazing before fitting. From the inside of the building fit the styrene window into the frame and secure in place with the 4 strips of window bead. Fix the window bead to the window frame with 30mm panel pins.

Important Information

Adequate provision must be made to ensure that the building does not come into direct contact with the ground and air is able to circulate underneath. A concrete or paving slab base is acceptable, but the building must not be allowed to sit in pooled water during wet conditions. **Timber Information.** Timber is a natural product and can therefore be subject to warping, shrinkage, splitting etc...Periods of excessive dry spells can cause the timber to lose internal moisture resulting in shrinkage on a panel. During periods of excessive wet spells, the timber may experience some swelling. Unfortunately this process cannot be avoided. If you have problems with certain boards shrinking, try to decrease the amount of direct sunlight it gets. During hot spells spray any shrunken boards with a hosepipe, this will replenish the moisture in the timber.

If you have any questions or queries during the assembly of your building please contact us:-

HELP LINE: 01384 897257

We are constantly improving and updating the quality of our products and as such some components may differ from those shown. We reserve the right to change the specification of our products without prior notice.