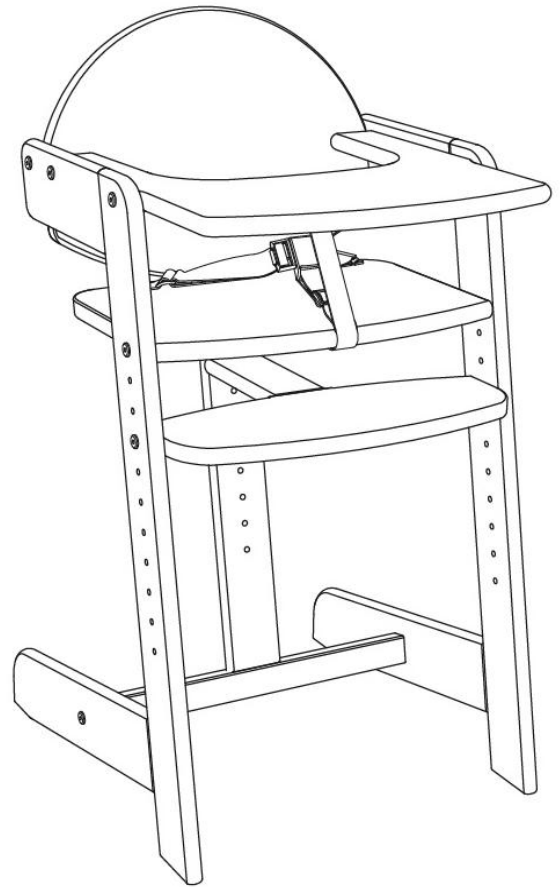


INSTRUCTIONS

IMPORTANT! READ CAREFULLY AND KEEP FOR FUTURE REFERENCE

Please read the instructions and warnings carefully before use. Your children's safety is your responsibility.



WARNING

- Never leave the child unattended.
- Always use the restraint system.
- Falling hazard: Prevent your child from climbing on the product.
- Do not use the product unless all components are correctly fitted and adjusted.
- Be aware of the risk of open fires and other sources of strong heat in the vicinity of the product.
- Be aware of the risk of tilting when your child can push its feet against a table or any other structure.

Additional Information

Do not use this high chair until your child is able to sit up without assistance.

Do not use this product if any part is broken, torn, or missing.

Additional harnesses other than provided by the manufacturer must comply with EN 13210.

This product has been designed for use as a high chair with children up to 3 years of age who are able to sit up unaided and for a maximum load weight of 15kg.

Children over the age of 36 months and up to a maximum weight of 85kg can continue to use the chair without use of the restraint system or tray and provided they can sit safely.

Always use the high chair on a stable, level surface away from trailing wires or other objects which could pose a risk of entrapment to your child.

Store after use where it cannot be used as a toy or climbing frame.

When assembled as instructed as a highchair, this product conforms to EN 14988:2017+A1:2020

CLEANING & MAINTENANCE RECOMMENDATIONS:

To clean, wipe with a damp cloth. Do not use abrasive or aggressive cleaning agents because they can be detrimental to the health of your child and can affect the finish of the product.

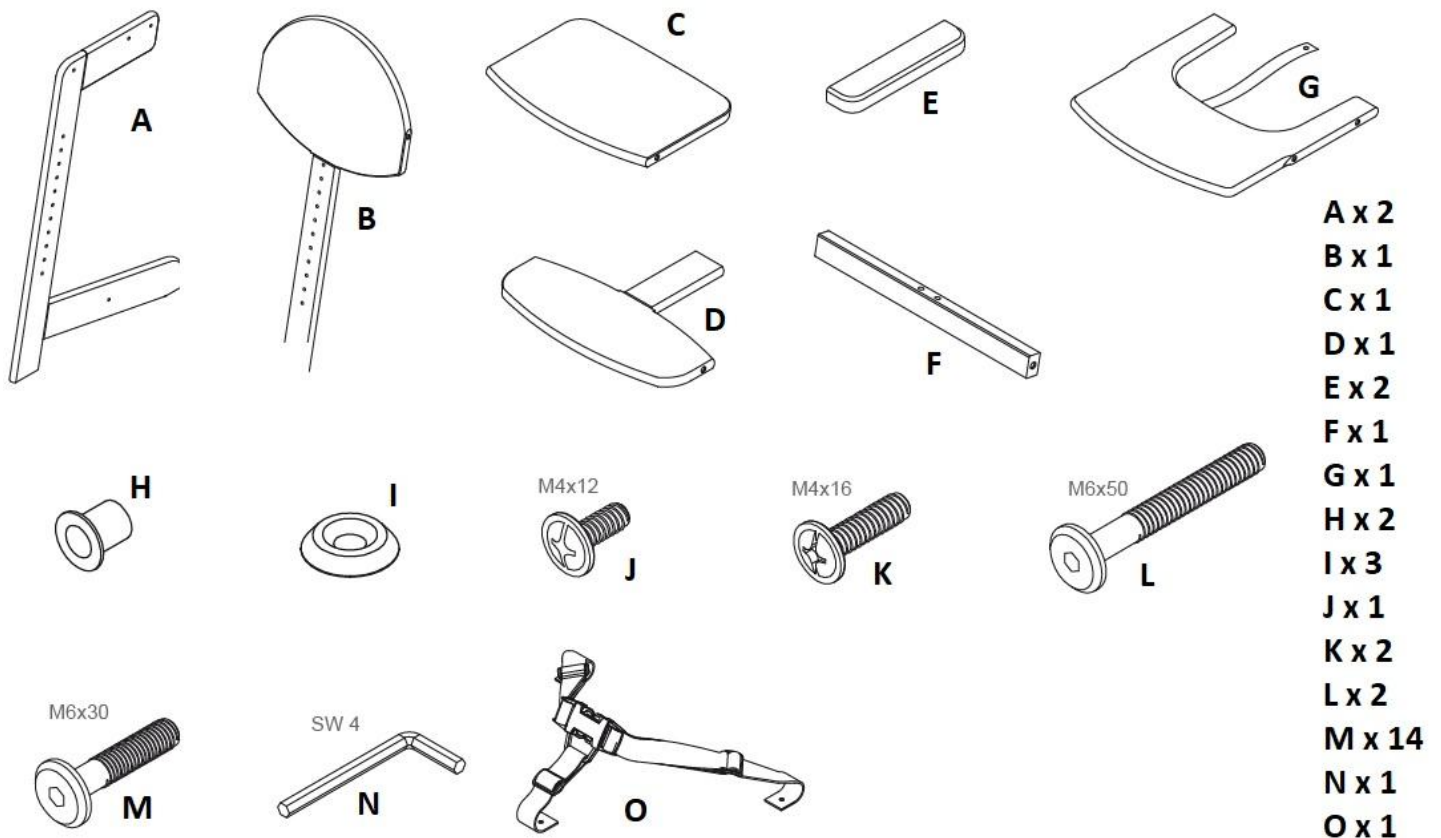
Routinely check that all the assembly fittings are tightened properly and retighten if necessary, using the allen key provided. Regularly check the restraint system for signs of wear and tear, adjusting to securely fit your child before each use. Take care when moving the highchair as careless handling may cause damage.

PRODUCT GUARANTEE:

We want you to be 100% satisfied with your purchase. Our products pass the relevant safety standards and offer great value for money. Furthermore, we offer a one-year manufacturer's guarantee (please retain proof of purchase).

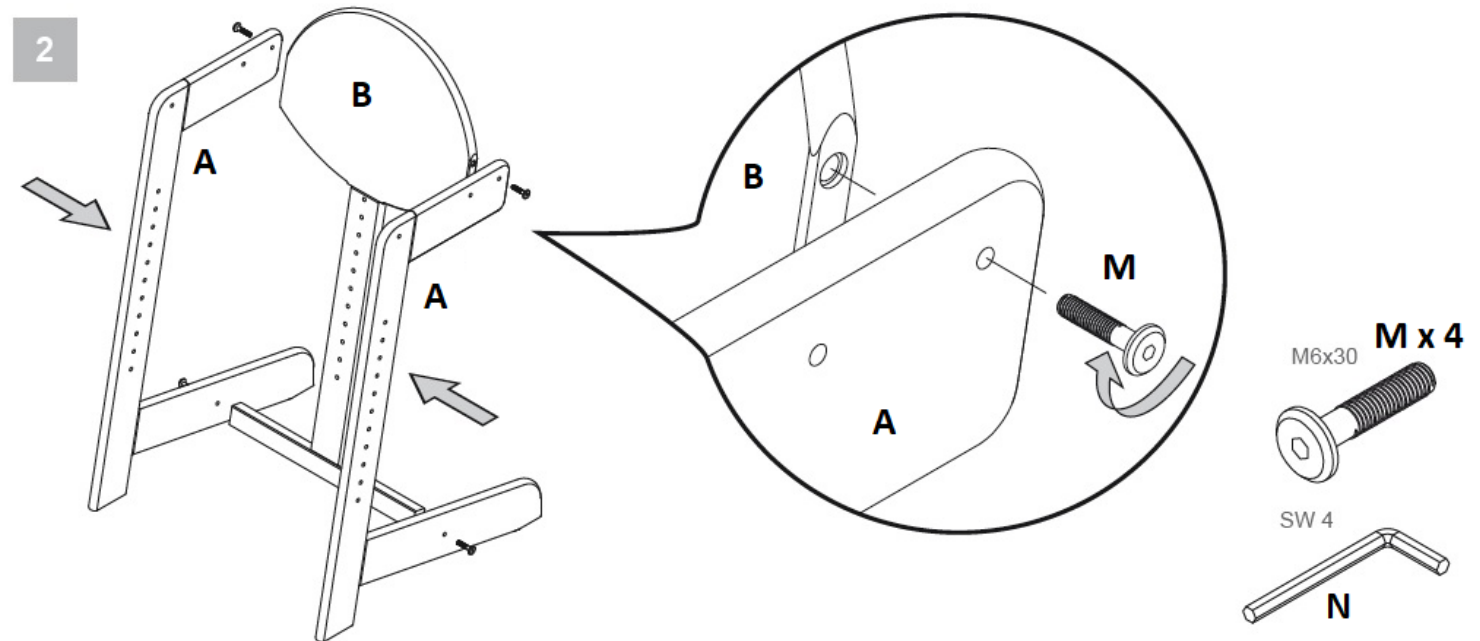
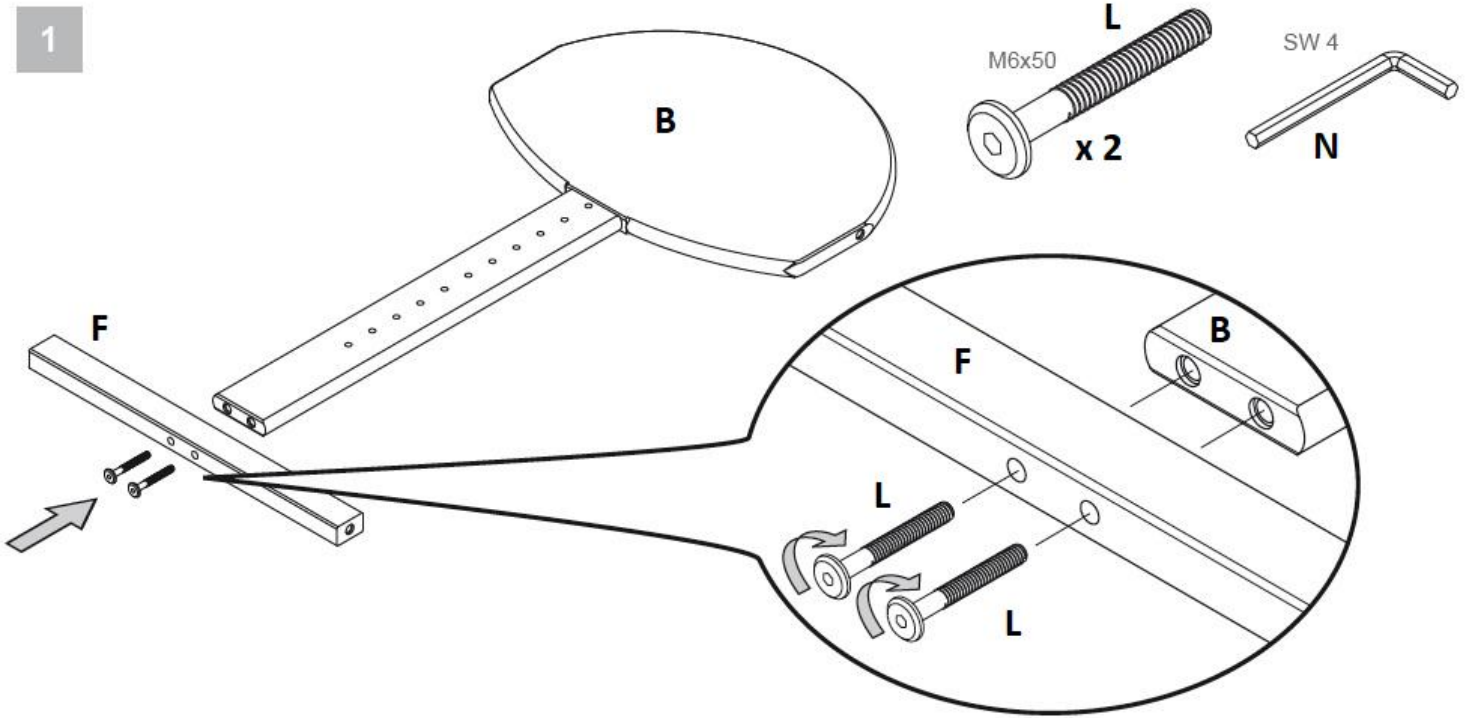
If for any reason you are not satisfied with your product, please contact our Customer Service team.

PARTS CHECKLIST

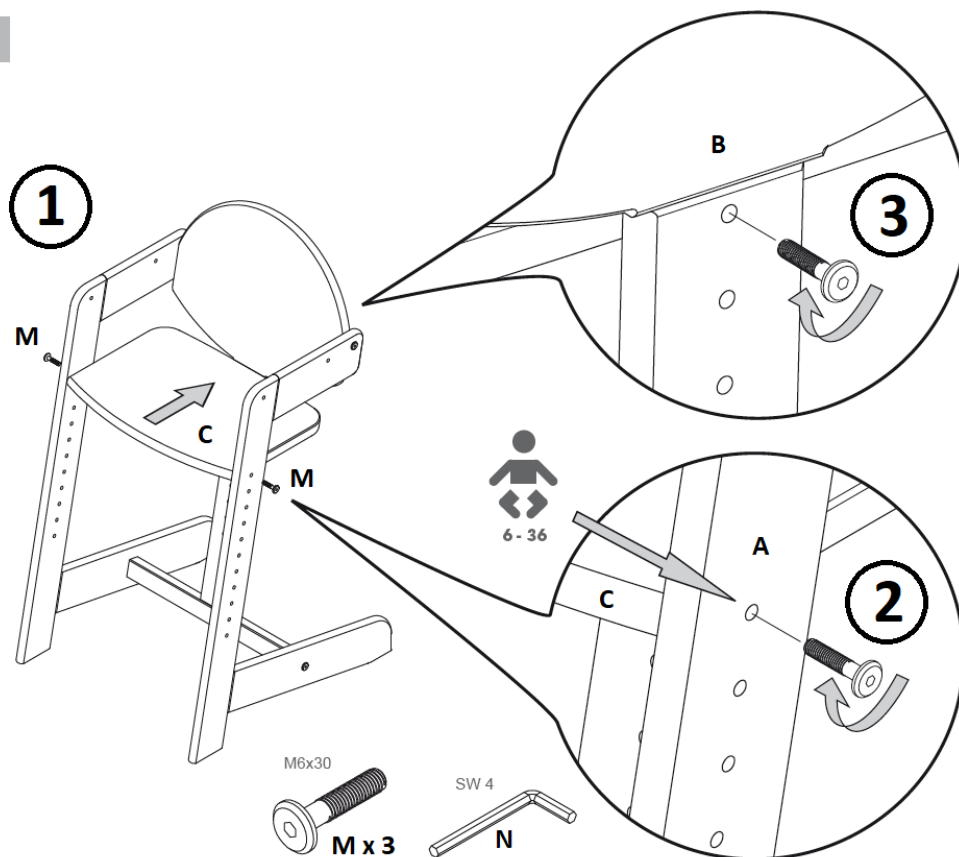


Assemble away from children as the fittings pack contains small parts which may present a choking hazard. Lay out the parts on a soft level surface and compare to the parts checklist. Do not throw away any packaging until you are sure that you have all the parts. Only use parts and accessories supplied by Safetots.

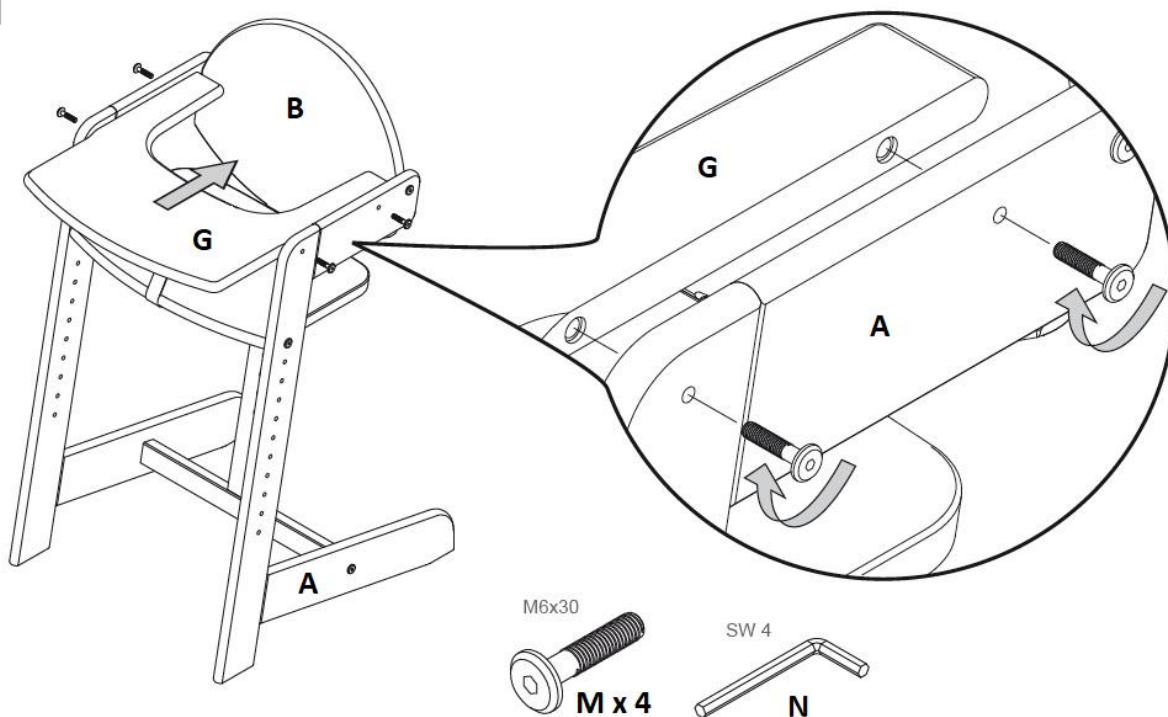
ASSEMBLY INSTRUCTIONS



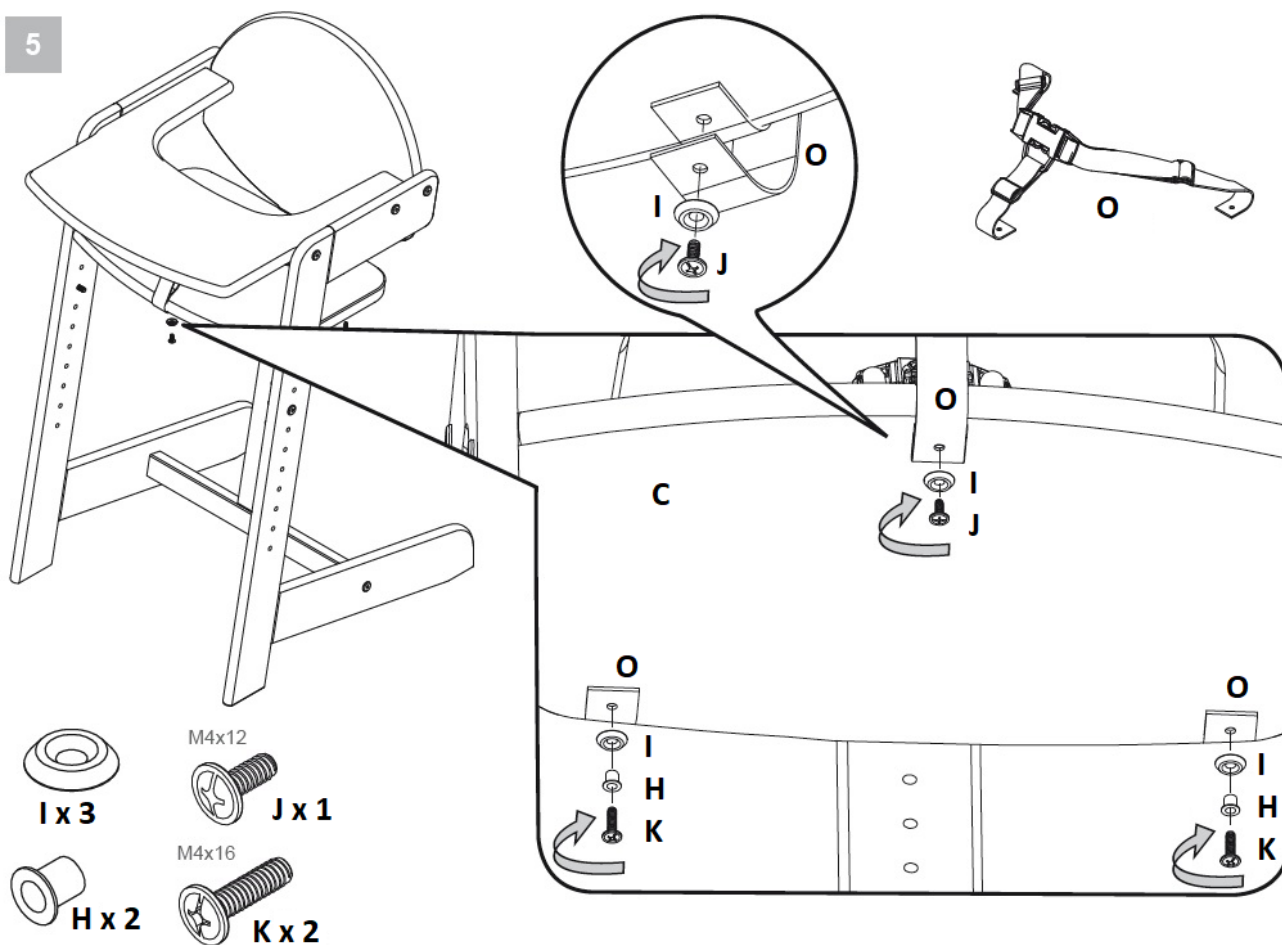
3







4

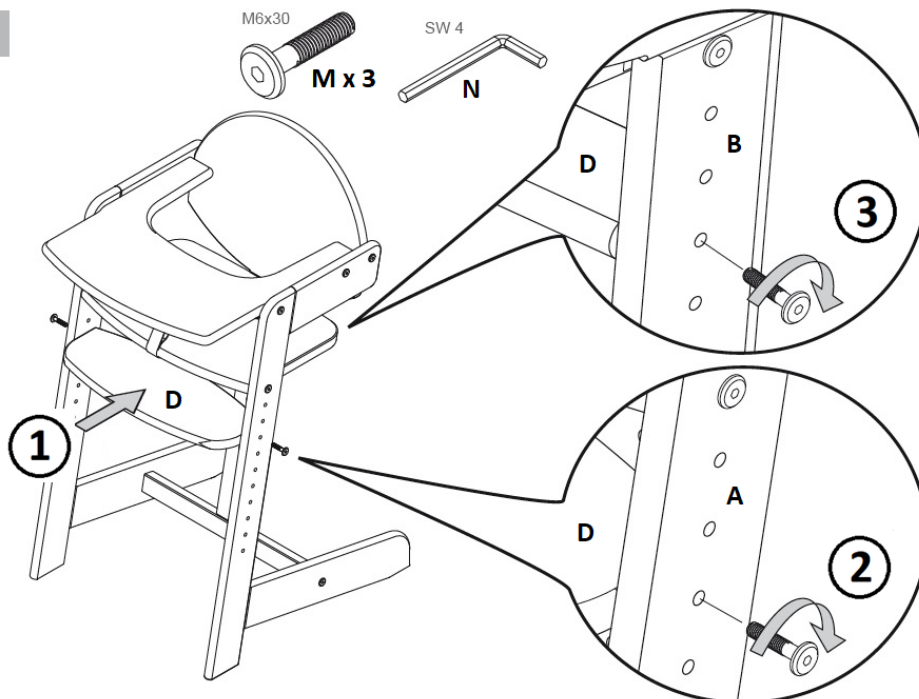


5



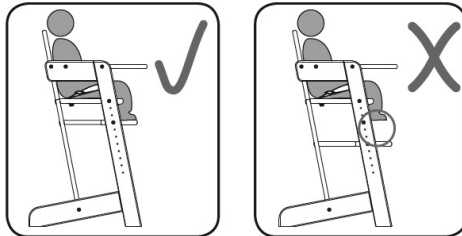
-  I x 3
-  M4x12 J x 1
-  H x 2
-  M4x16 K x 2

6

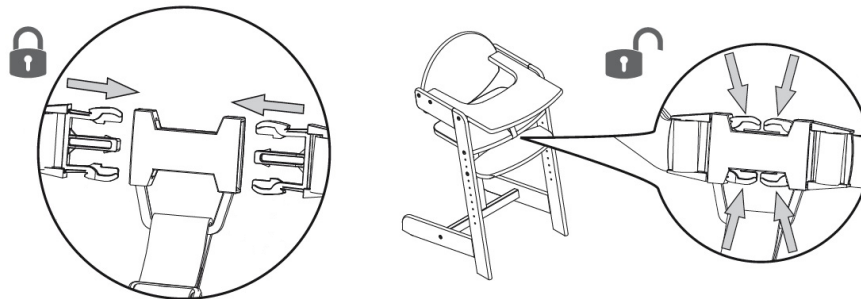


-  M6x30 M x 3
-  SW 4 N

WARNINGS



WARNING: Always use the restraint system
AVERTISSEMENT: Toujours utiliser le harnais
WARNUNG: Immer die Sicherheitsgurte benutzen
ATTENZIONE: Utilizzare sempre il sistema di ritenuta
ADVERTENCIA: Utilice siempre el sistema de sujeción



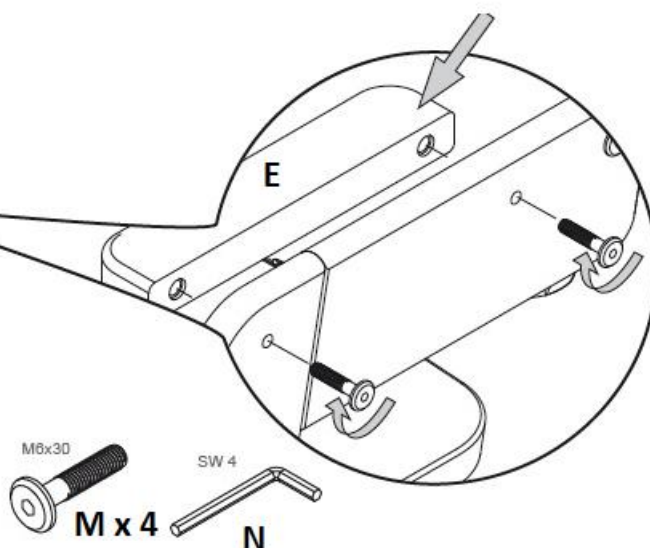
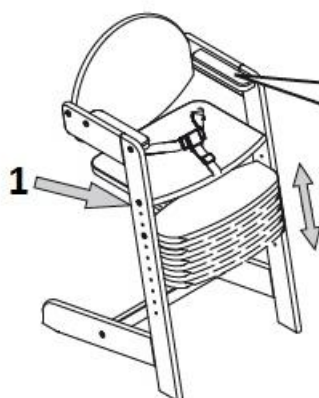
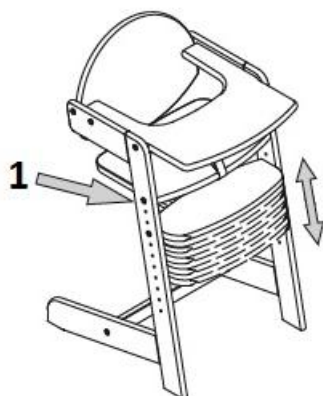
IN USE OPTIONS



6 - 36



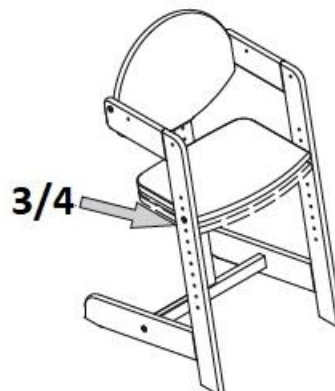
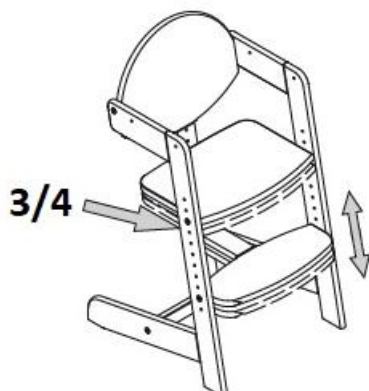
MAX
15 KG



> 36



MAX
85 KG



EU REP

European Authorised Representative (EU Rep) / Représentant Autorisé Européen / Europäischer Bevollmächtigter Vertreter
M Vos, Safetots Limited, Duetstraat 19, 5245 BE Rosmalen, Netherlands, Email eurep@safetots.co.uk

ES ¡IMPORTANTE! LEER DETENIDAMENTE Y MANTENERLAS PARA FUTURAS CONSULTAS.

ADVERTENCIA

- No dejar nunca al niño desatendido.
- Utilice siempre el sistema de sujeción.
- Riesgo de caída: Evite que el niño trepe por el producto.
- Utilice el producto únicamente cuando todos sus componentes estén correctamente fijados y ajustados.
- Existe un riesgo al situar el producto cerca del fuego o de otras fuentes importantes de calor.
- Existe riesgo de vuelco si el niño apoya los pies en una mesa o cualquier otra estructura.

FR IMPORTANT! À LIRE ATTENTIVEMENT ET À CONSERVER POUR RÉFÉRENCE ULTÉRIEURE.

AVERTISSEMENT

- Ne jamais laisser un enfant sans surveillance.
- Toujours utiliser le harnais.
- Risque de chute: empêcher l'enfant de grimper sur le produit.
- Ne pas utiliser le produit tant que tous les éléments ne sont pas correctement ajustés et réglés.
- Ne pas placer le produit à proximité d'une cheminée ou de toute source de chaleur importante pour éviter les risques de brûlure.
- Risque de basculement si l'enfant a la possibilité d'appuyer ses pieds contre une table ou tout autre élément.

IT IMPORTANTE: LEGGERE ATTENTAMENTE E CONSERVARE PER FUTURO

RIFERIMENTO.

ATTENZIONE

- Non lasciare mai il bambino incustodito.
- Utilizzare sempre il sistema di ritenuta.
- Pericolo di caduta : non lasciare che il bambino si arrampichi sul prodotto.
- Non utilizzare il prodotto a meno che tutti i componenti non siano correttamente agganciati e regolati.
- Prestare attenzione al rischio generato da fiamme libere e altre fonti di forte calore nelle vicinanze del prodotto.
- Prestare attenzione al rischio di ribaltamento del prodotto nel caso in cui il bambino si spinga con i piedi contro il tavolo o qualsiasi altra struttura.

DE WICHTIG! BITTE SORGFÄLTIG LESEN UND FÜR SPÄTERES NACHLESEN

UNBEDINGT AUFBEWAHREN.

WARNUNG

- Lassen Sie Ihr Kind nie unbeaufsichtigt.
- Immer die Sicherheitsgurte benutzen.
- Fallrisiko: Kinder nicht auf das Produkt klettern lassen.
- Das Produkt nicht benutzen, wenn nicht alle Teile ordnungsgemäß montiert und justiert sind.
- Darauf achten, dass das Produkt nicht in der Nähe von offenem Feuer und anderen Hitzequellen aufgestellt wird.
- Es besteht das Risiko, dass das Produkt umkippen könnte, wenn das Kind die Füße gegen einen Tisch oder einen anderen Gegenstand drückt.

NL BELANGRIJK! LEES DE INSTRUCTIES ZORGVULDIG EN BEWAAR ZE VOOR TOEKOMSTIG GEBRUIK

WAARSCHUWING

- Laat het kind nooit zonder toezicht achter.
- Gebruik altijd het veiligheidssysteem.
- Valgevaar: Voorkom dat uw kind op het product klimt.
- Gebruik het product alleen als alle onderdelen correct zijn aangebracht en afgesteld.
- Houd rekening met het risico van open vuur en andere warmtebronnen in de buurt van het product.
- Let op het risico van kantelen wanneer uw kind zijn voeten tegen een tafel of andere structuur kan duwen.