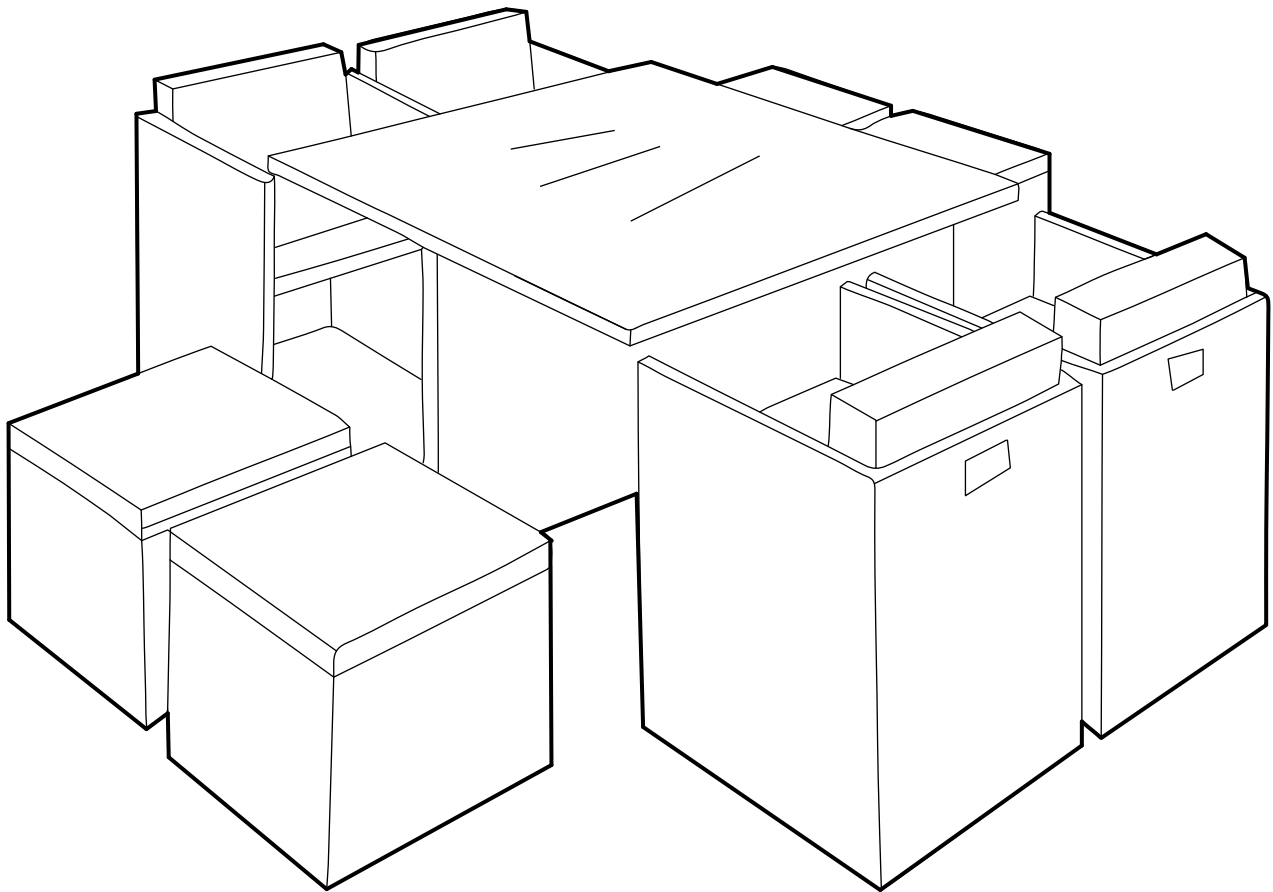
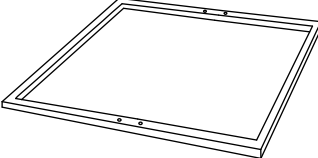
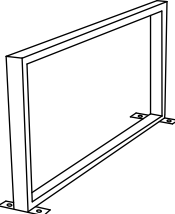
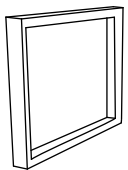
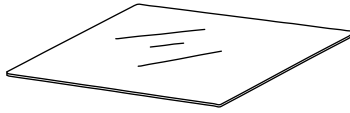
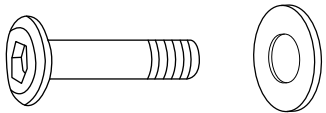
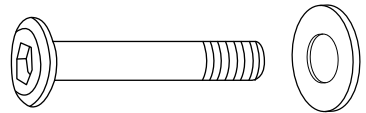
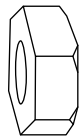
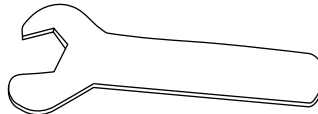
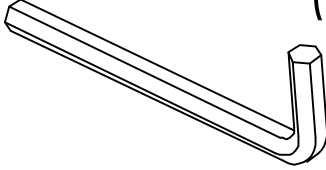
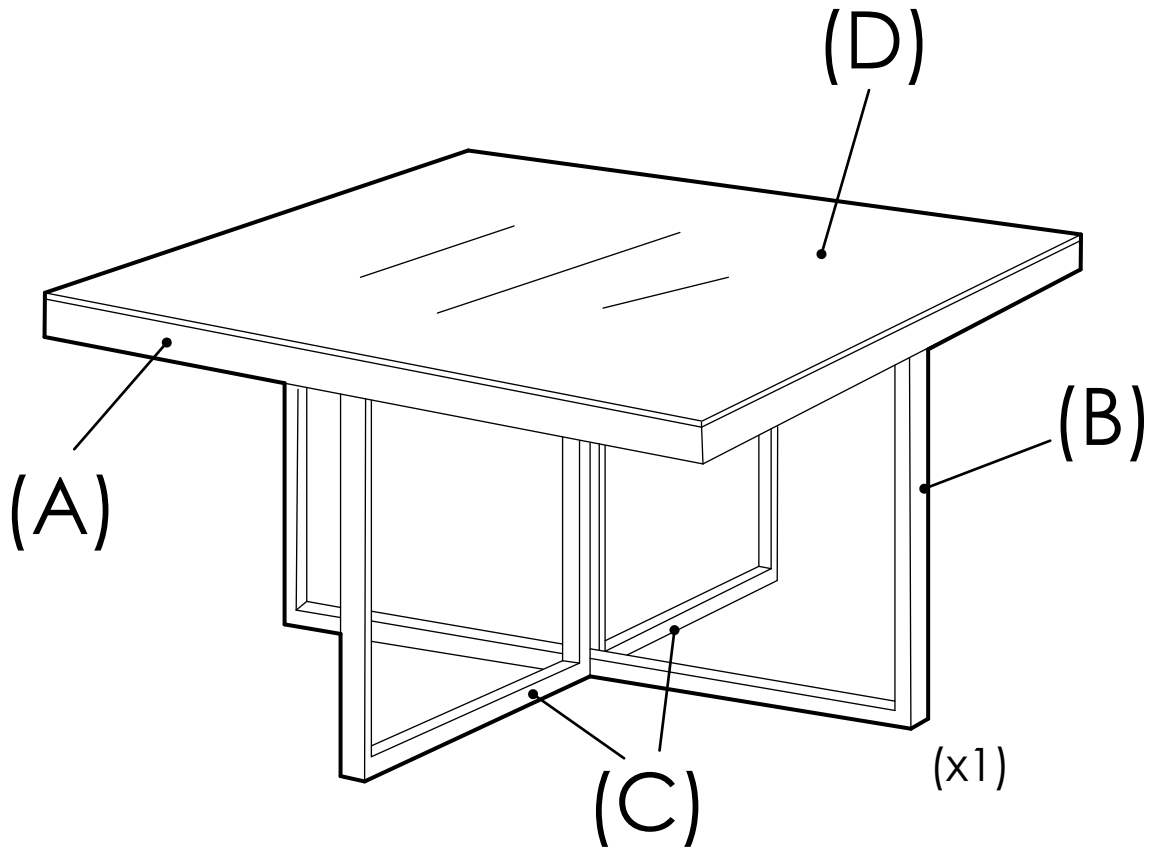


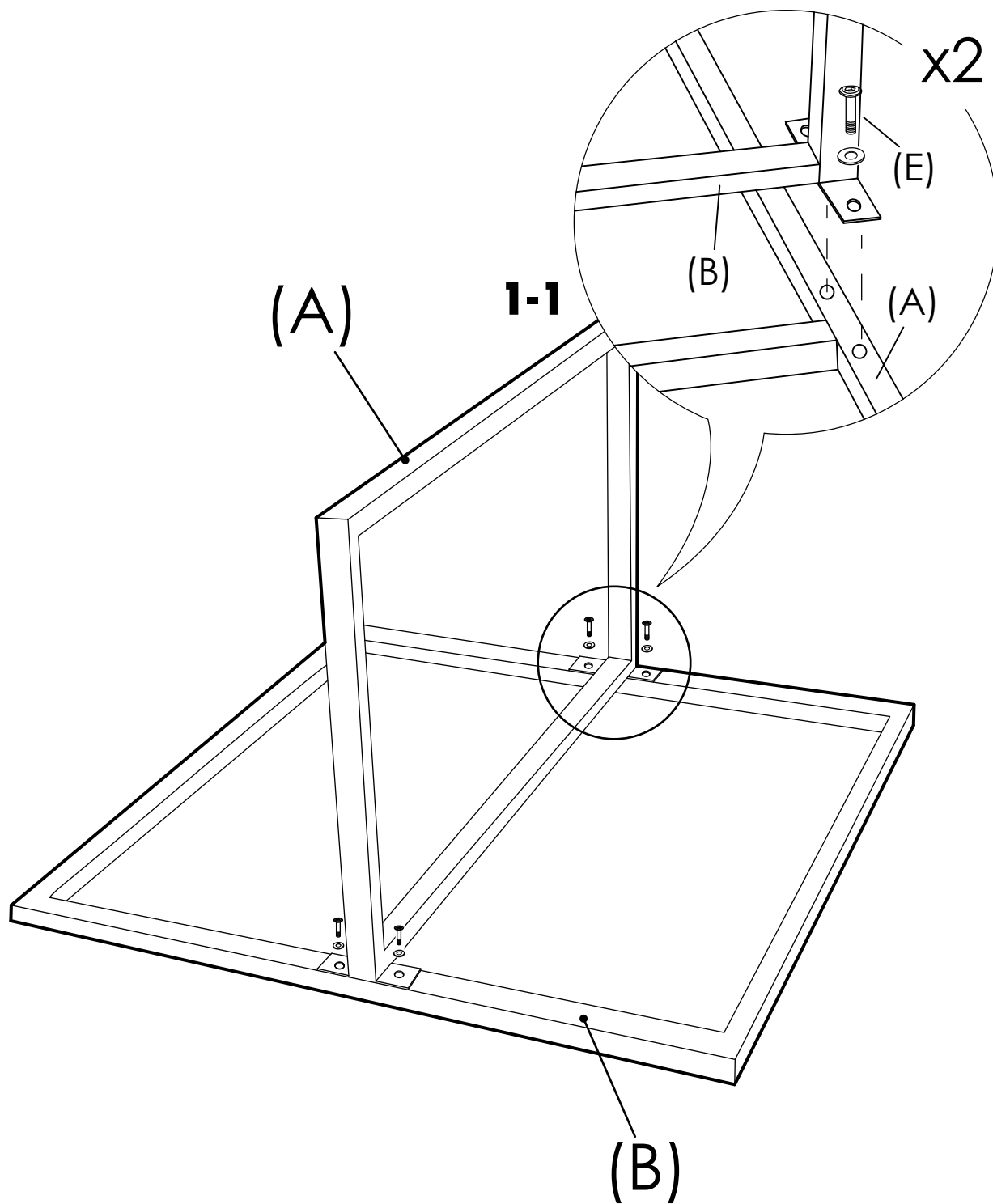
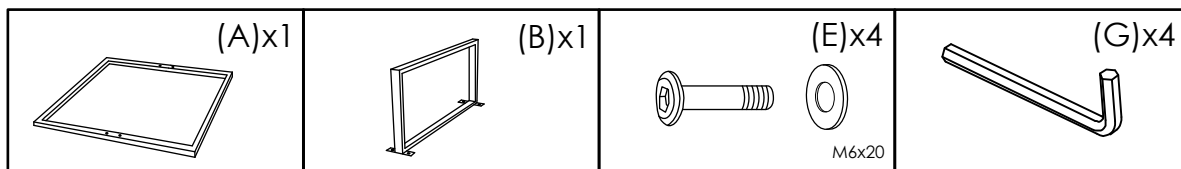
# GRS



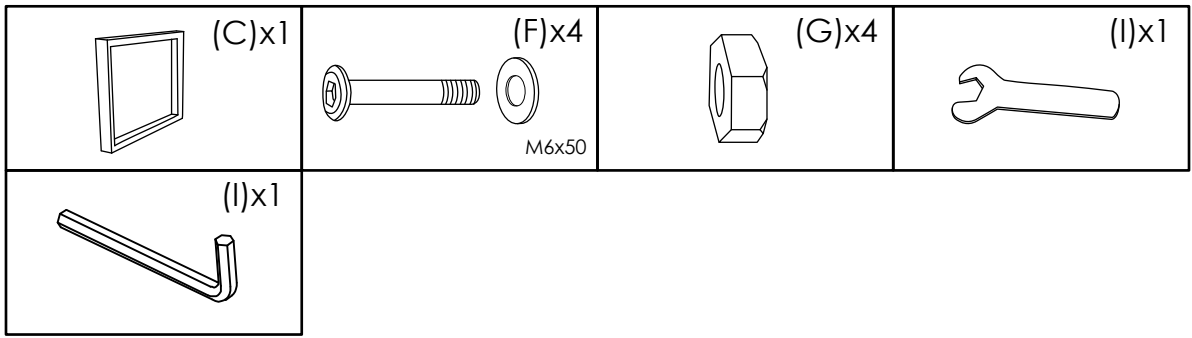
|  |   |   |
|--|---|---|
|  <p>(A)x1</p> |  <p>(B)x1</p>              |  <p>(C)x2</p>              |
|  <p>(D)x1</p> |  <p>(E)x8</p> <p>M6x20</p> |  <p>(F)x4</p> <p>M6x50</p> |
|  <p>(G)x4</p> |  <p>(H)x1</p>              |  <p>(I)x1</p>              |



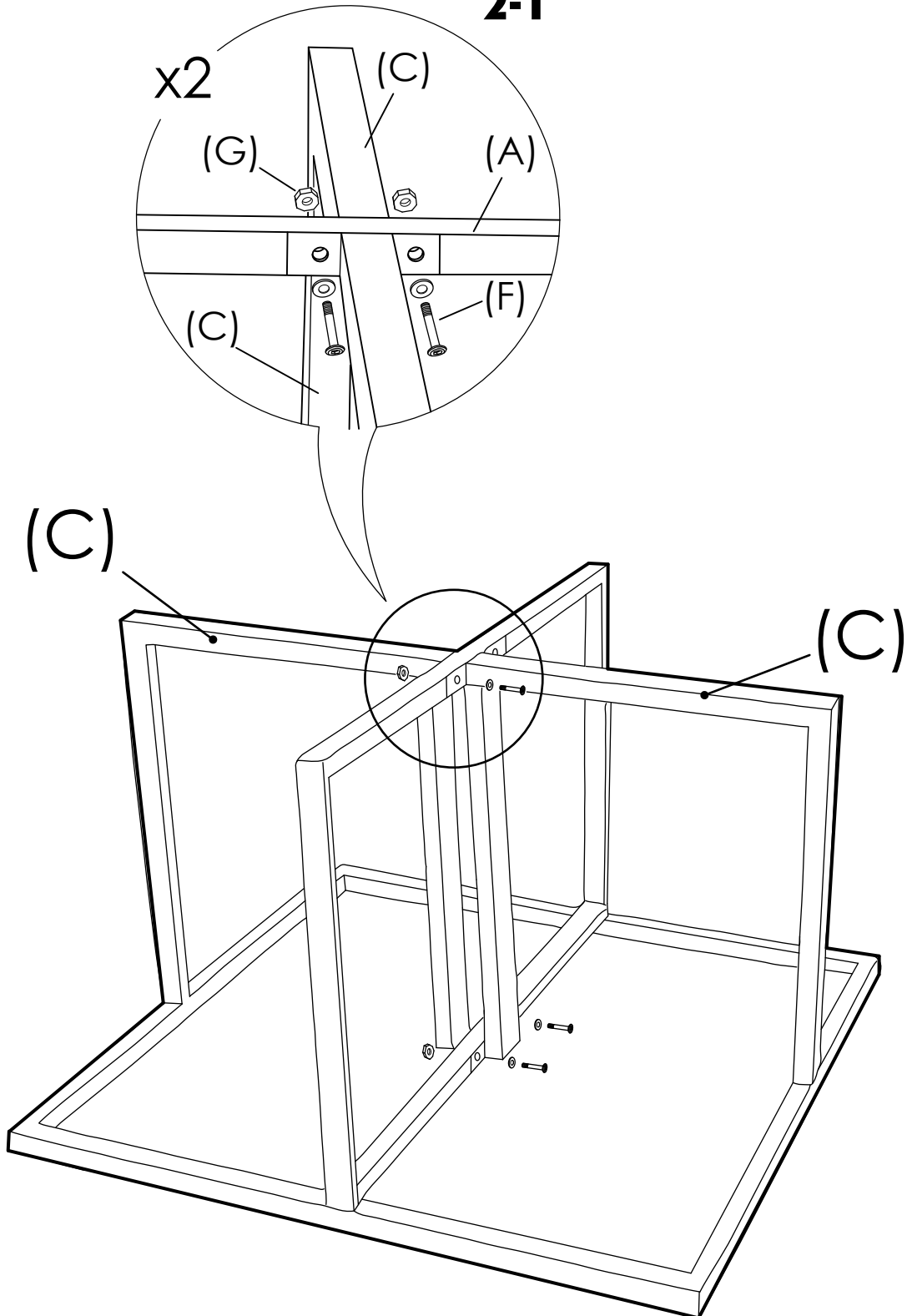
# 1.



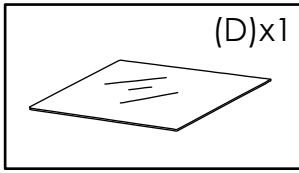
# 2.



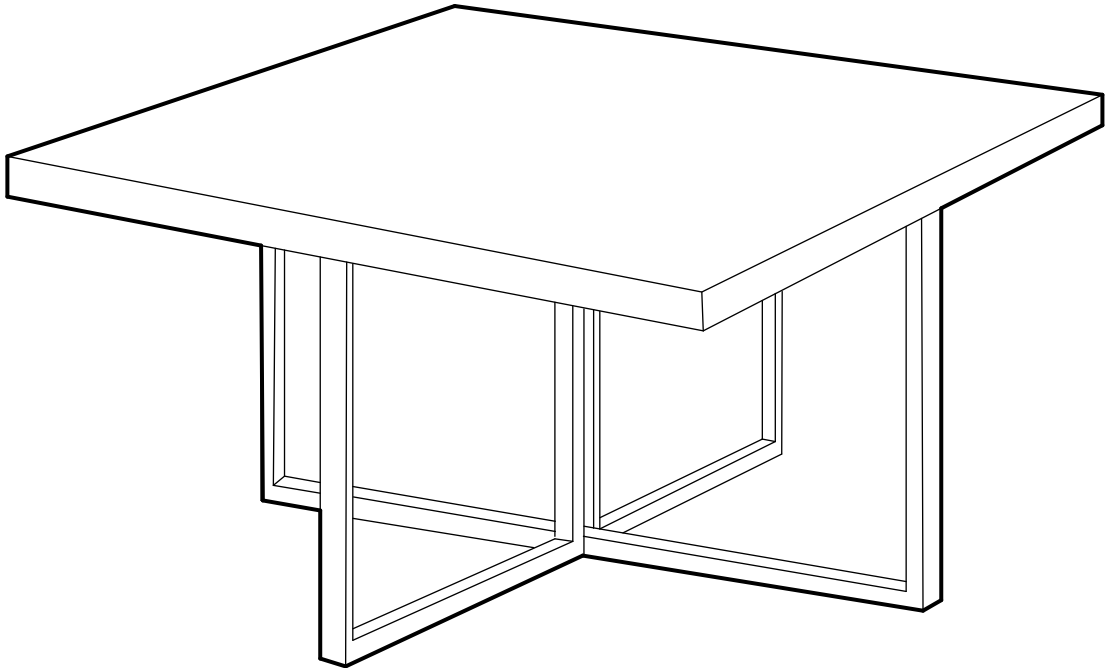
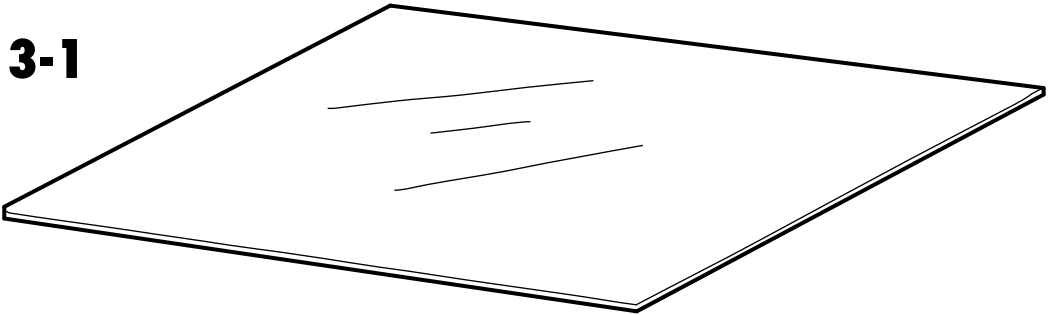
## 2-1

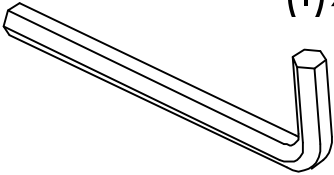
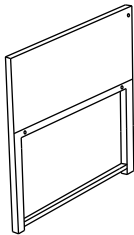
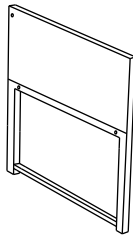
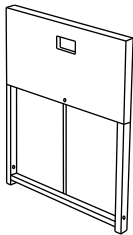
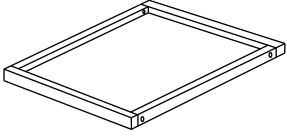
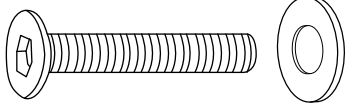
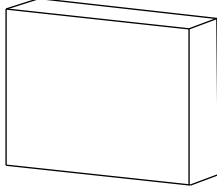
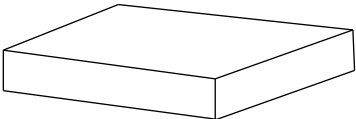


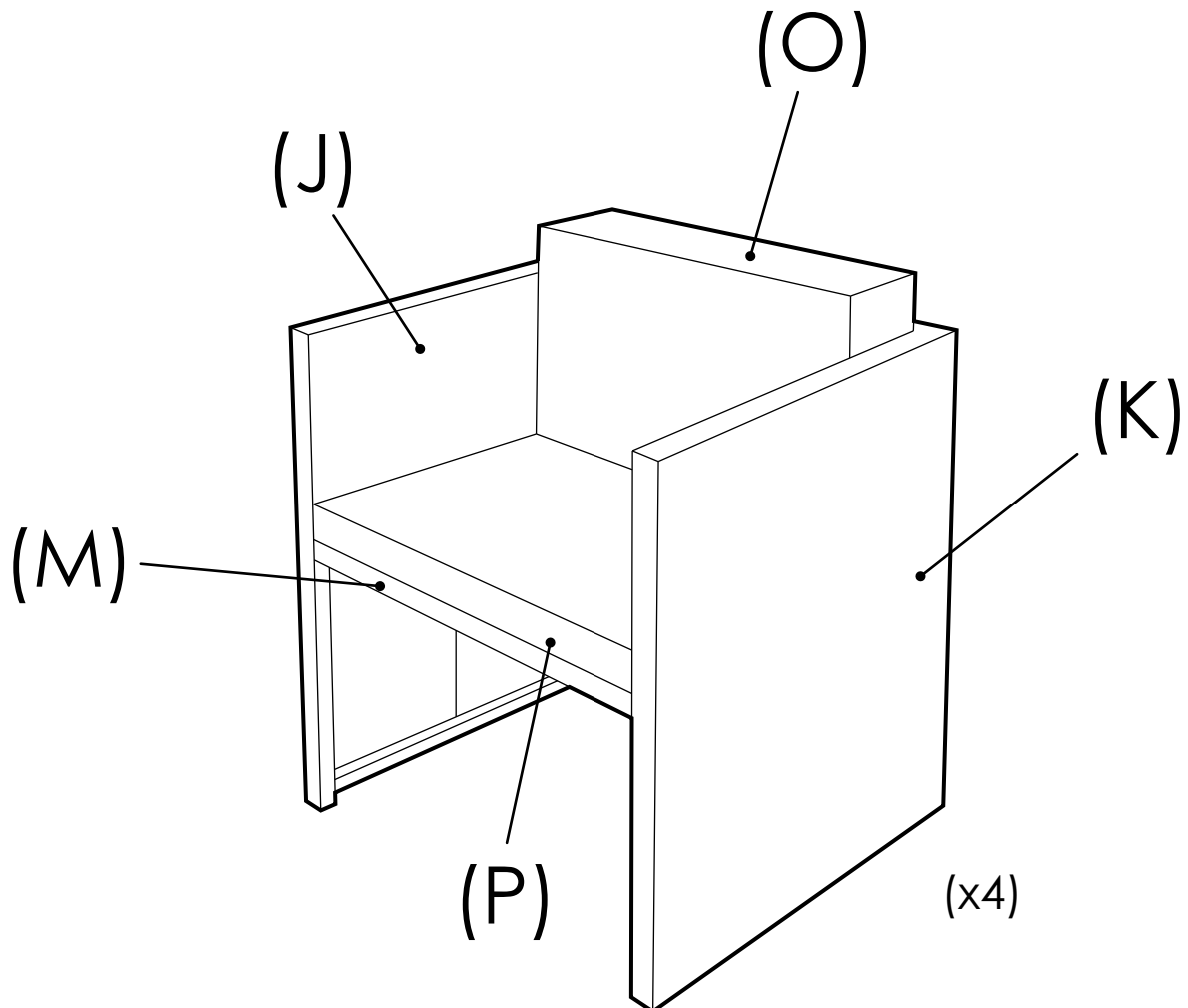
# 3.



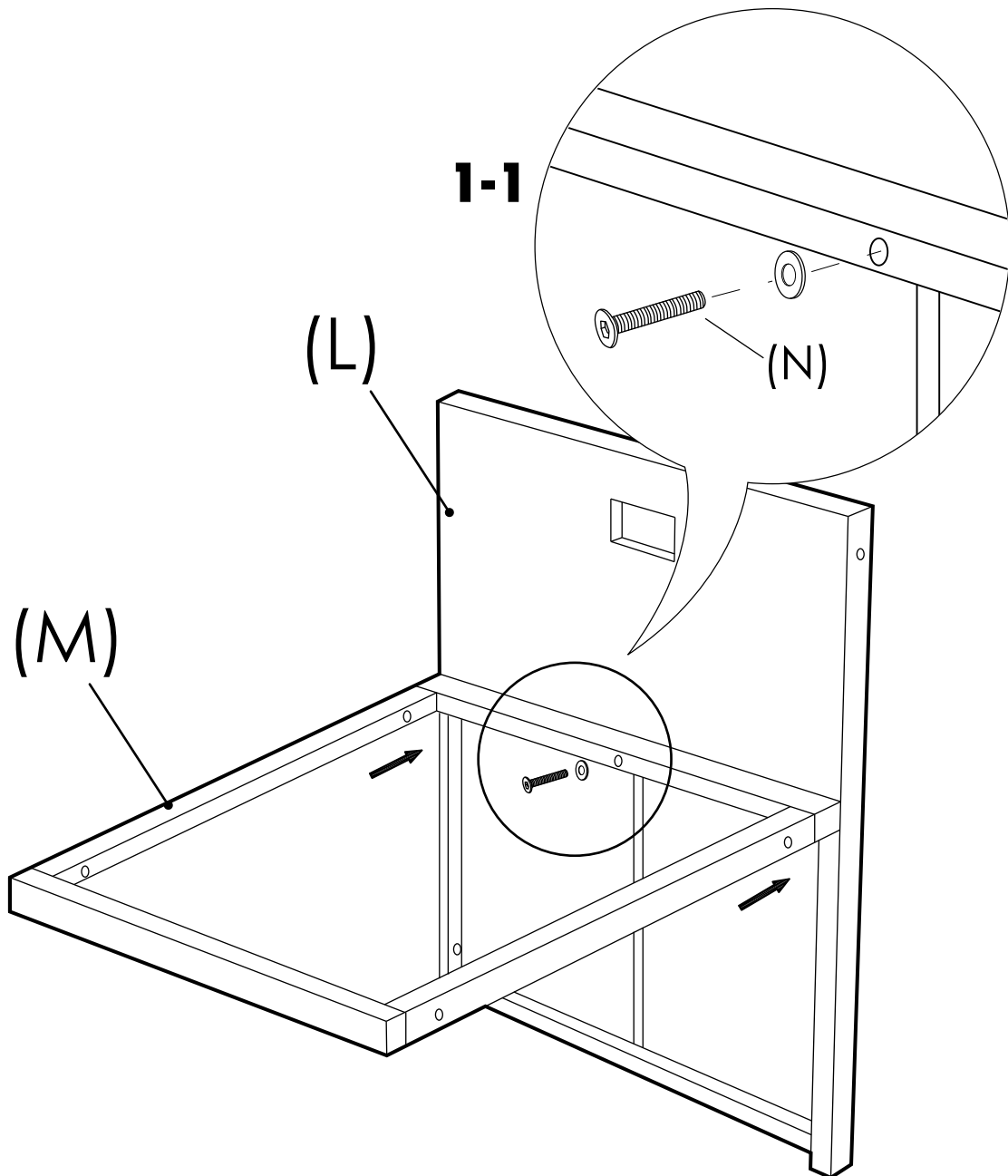
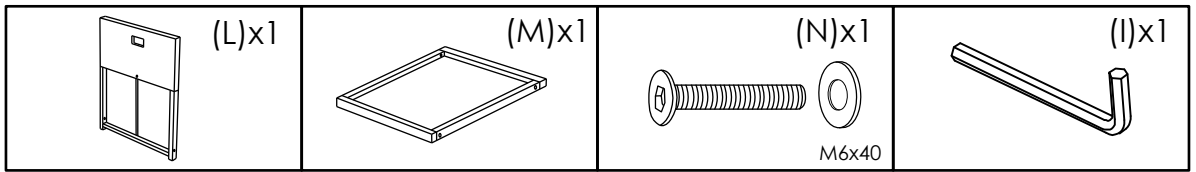
## 3-1



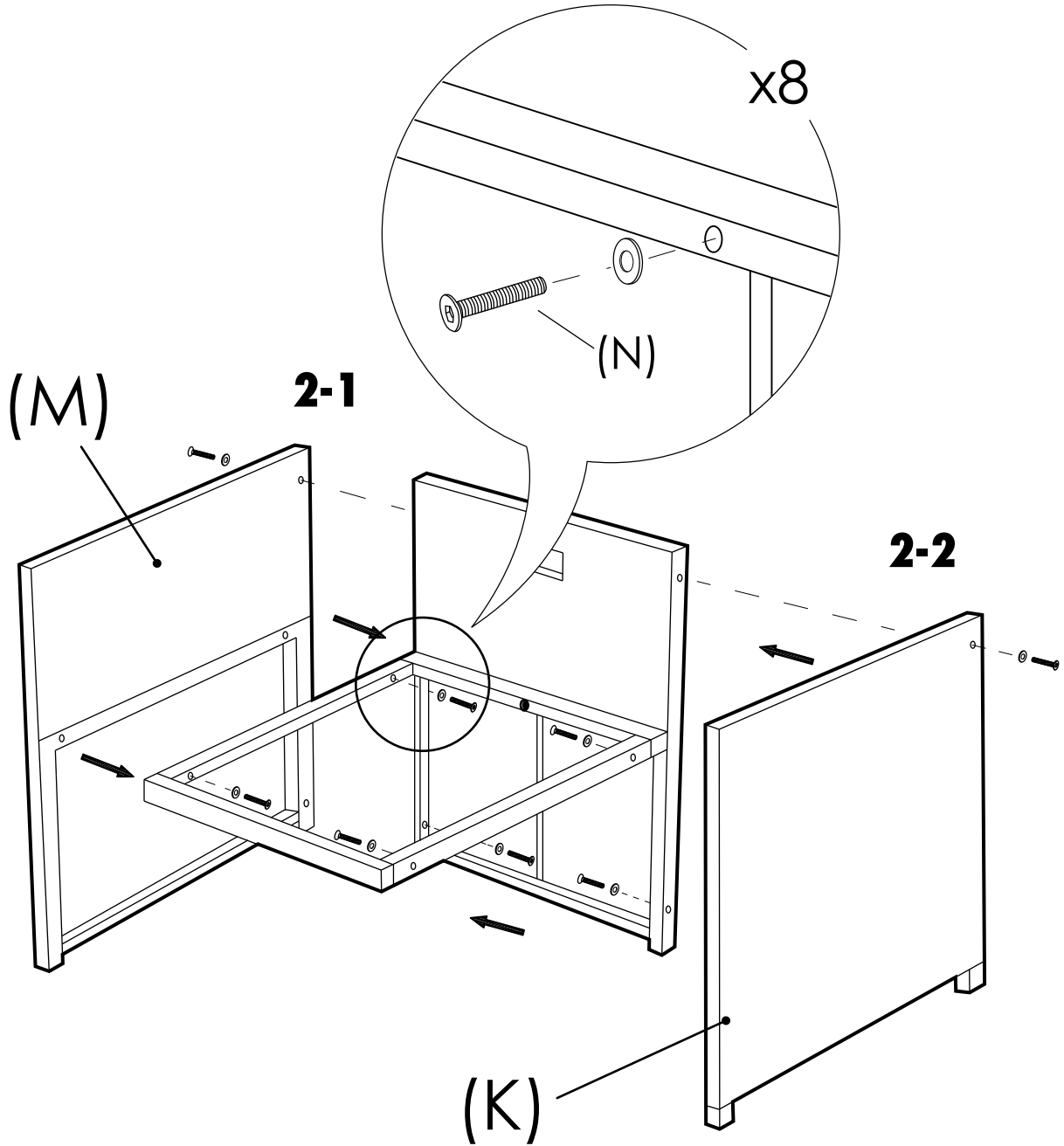
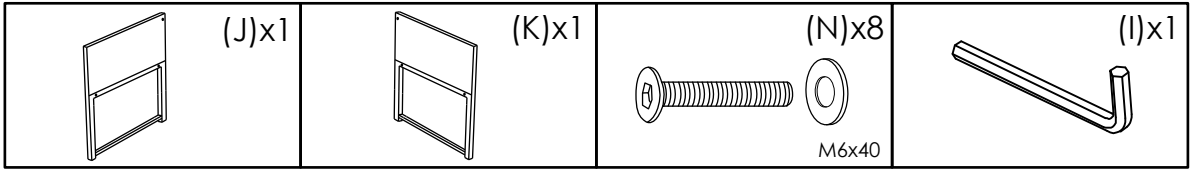
|  |  |  |
|--|--|--|
|  <p>(I)x1</p> |  <p>(J)x4</p> |  <p>(K)x4</p>               |
|  <p>(L)x4</p> |  <p>(M)x4</p> |  <p>(N)x36</p> <p>M6x40</p> |
|  <p>(O)x4</p> |  <p>(P)x4</p> |  |



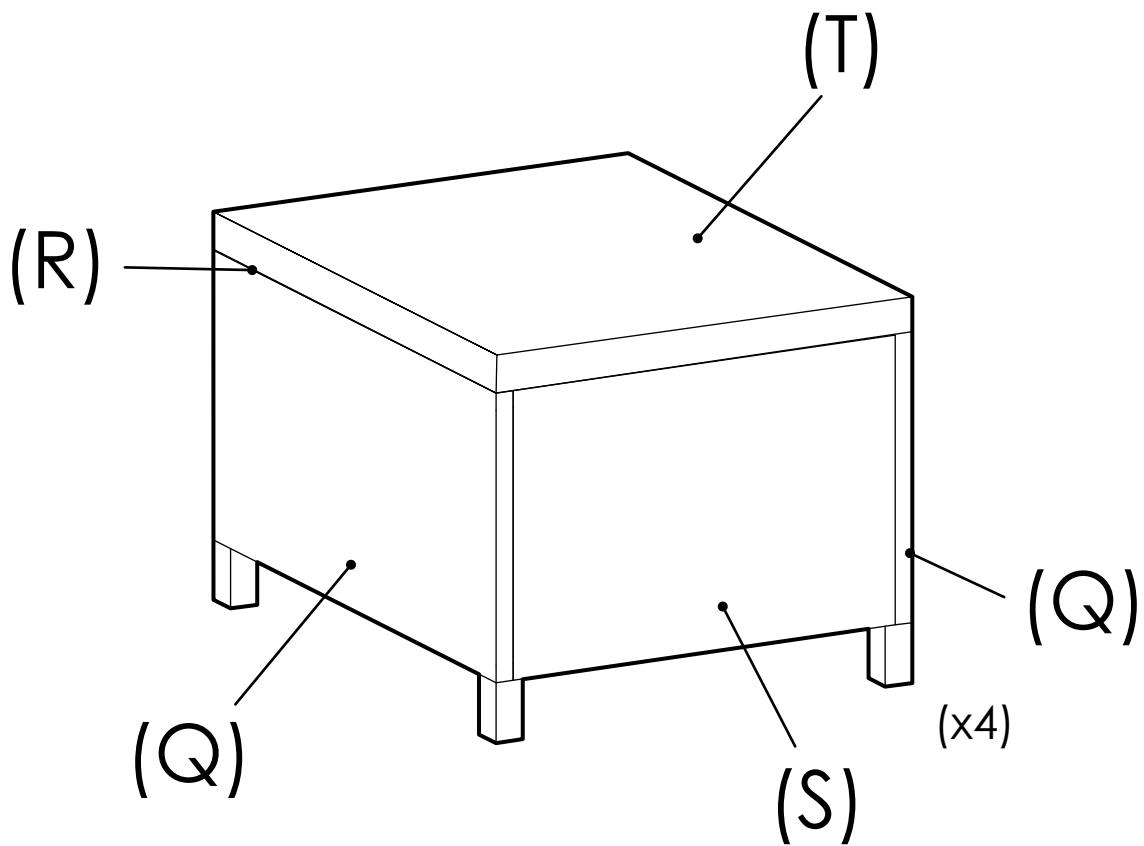
# 1.



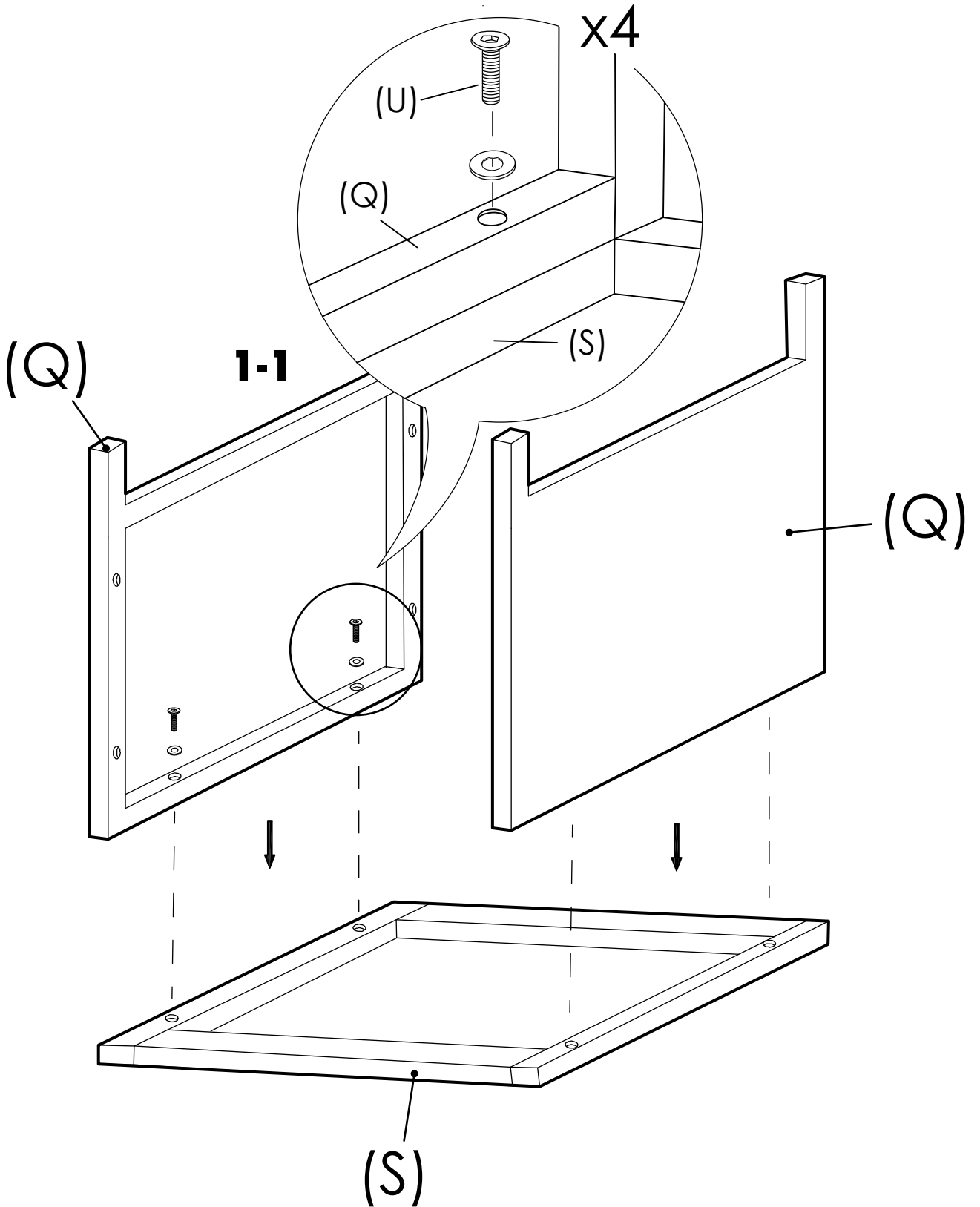
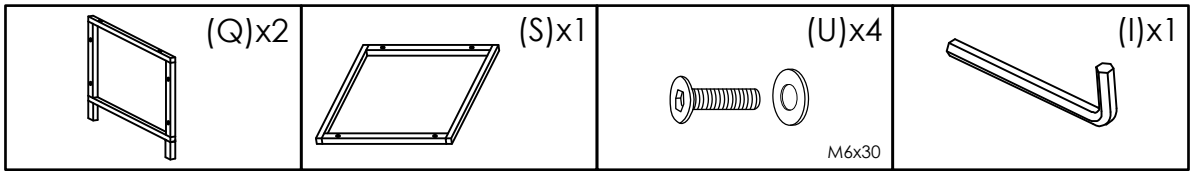
# 2.



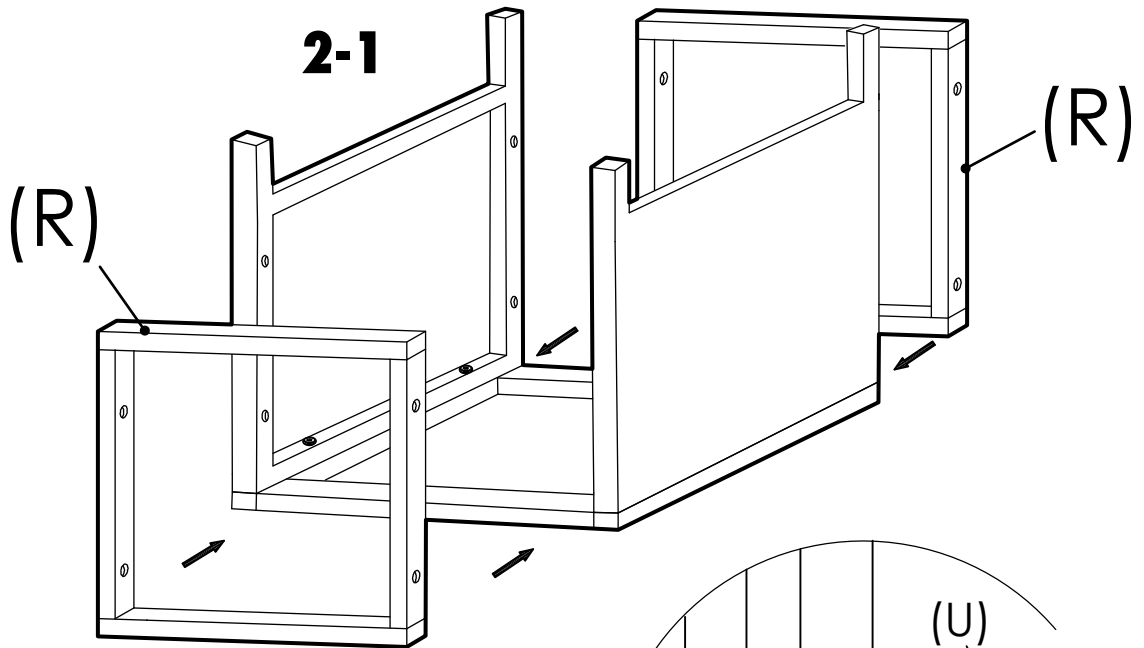
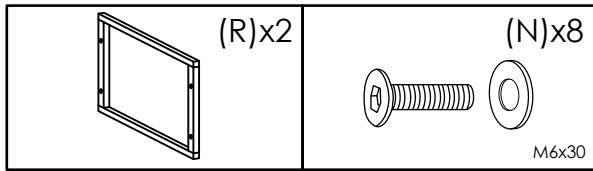
|              |              |                            |
|--------------|--------------|----------------------------|
| <p>(I)x1</p> | <p>(Q)x8</p> | <p>(R)x8</p>               |
| <p>(S)x4</p> | <p>(T)x4</p> | <p>(U)x48</p> <p>M6x30</p> |



# 1.



# 2.



### 2-2

