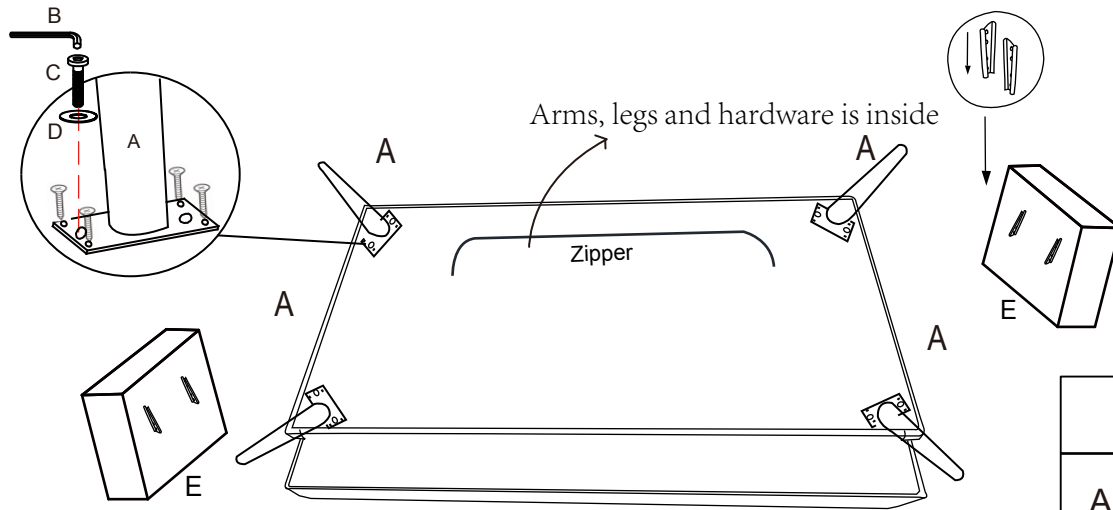


ASSEMBLY INSTRUCTION

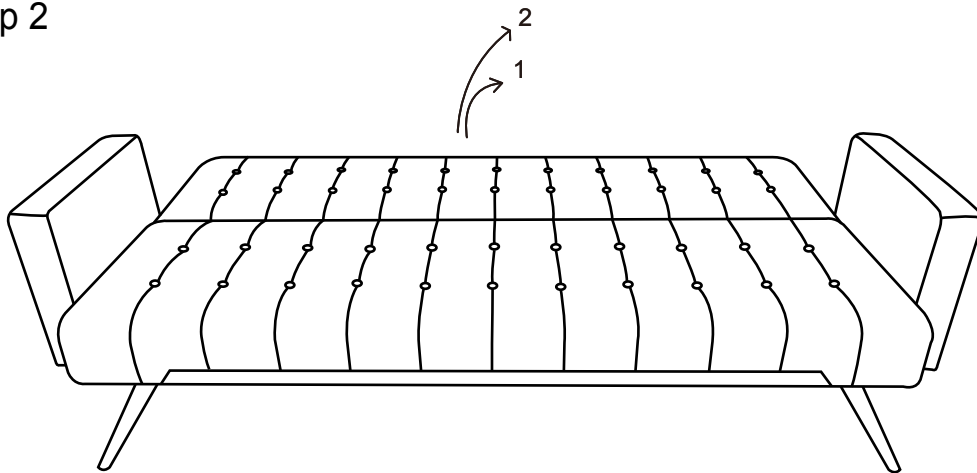
Item No.: 51385, 51386, 51387, 51388

Step 1 Please open the zipper to pick up 4 legs & two arms for the assembly as below:



PARTS LIST		
A		4PCS
B		1PC
C		8PCS
D		8PCS
E		2PCS
F		16pcs

Step 2



Step 3

