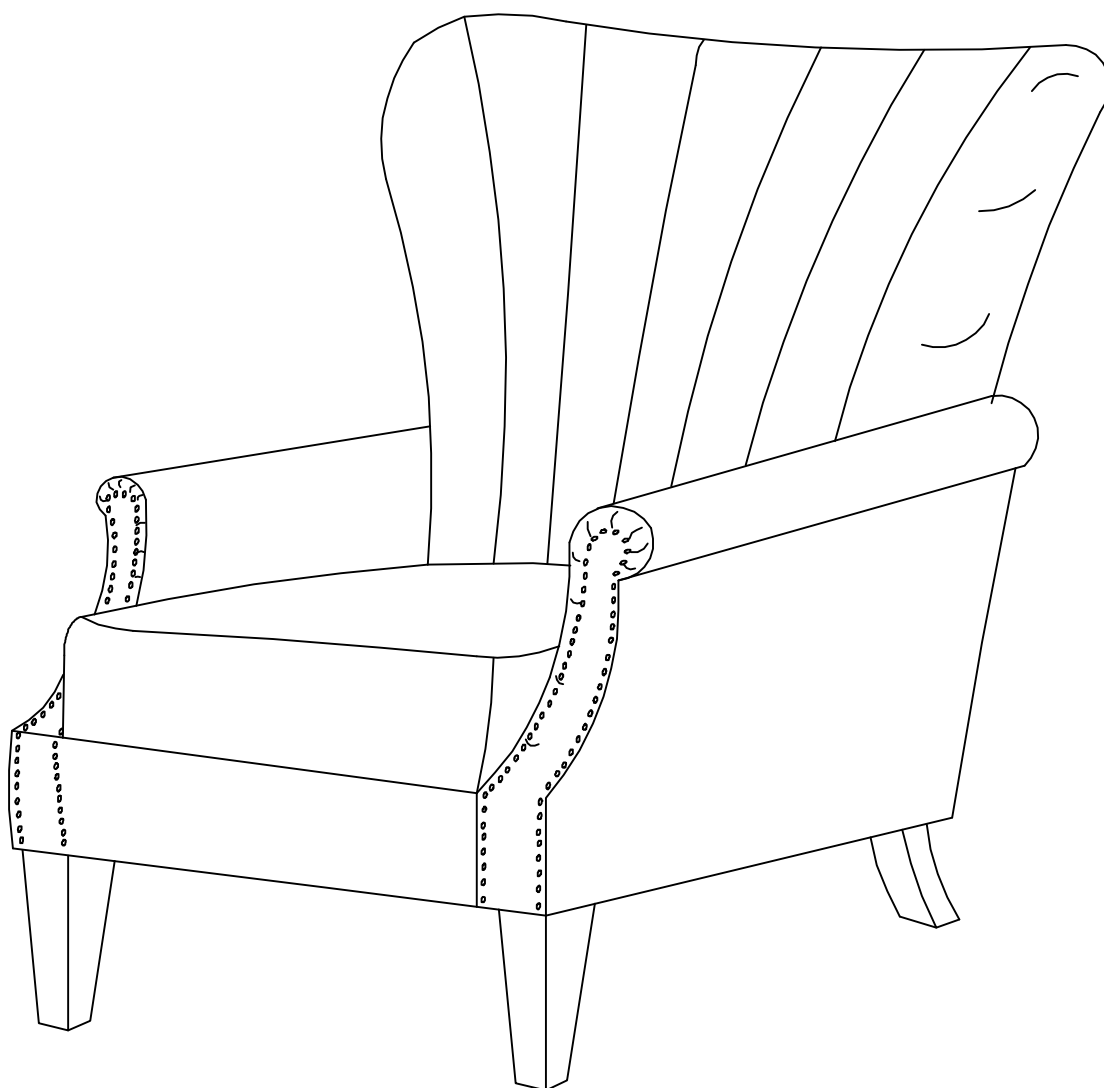
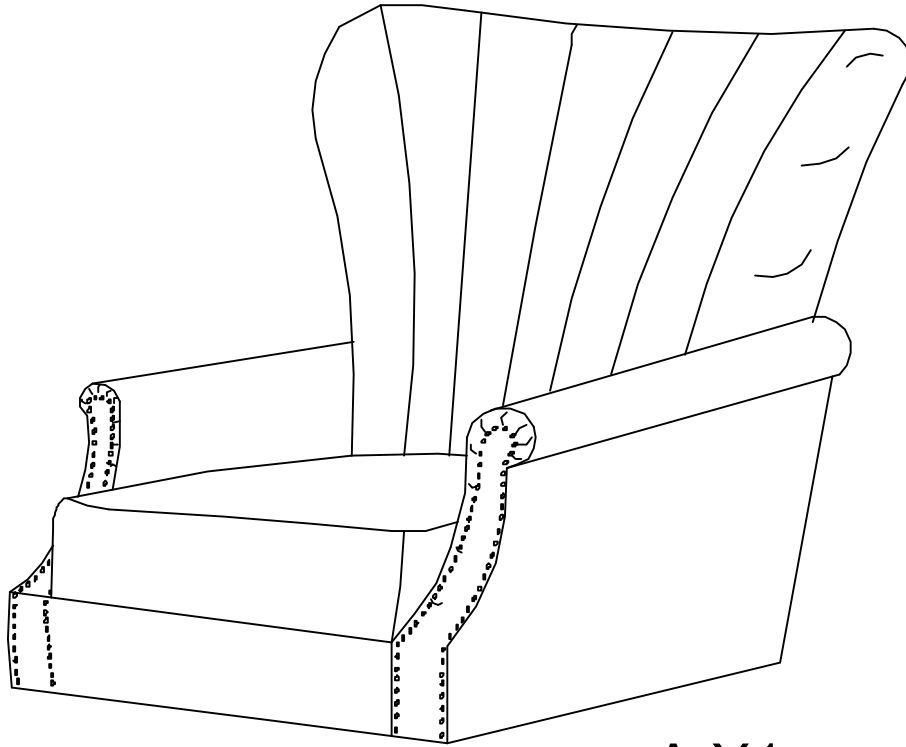


ASSEMBLY INSTRUCTION

25760/25761/25762
25763/25764

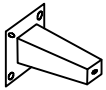


Box 1/1:

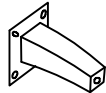


A X1

B X2



C X2



D X 16



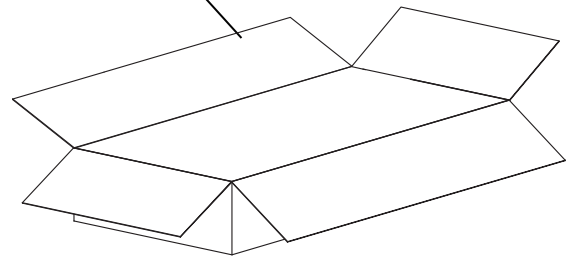
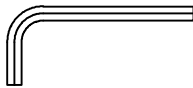
E X 16



F X 16



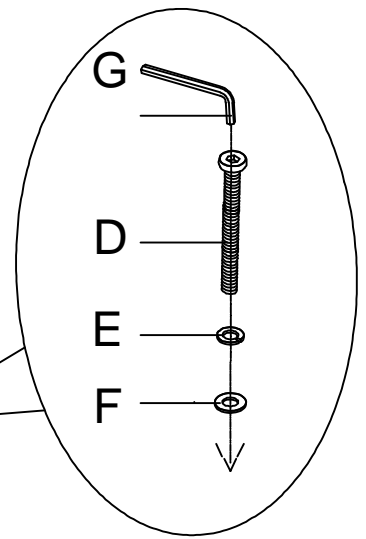
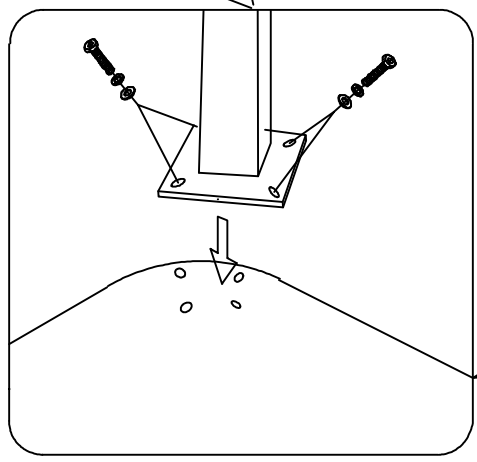
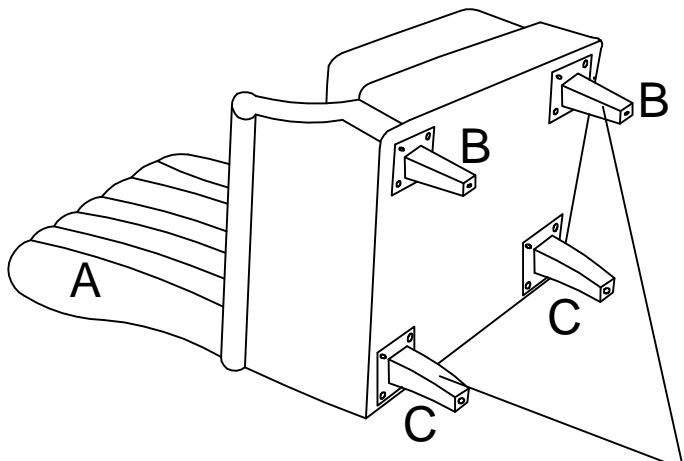
G X 1



Please note the hardware & legs are located inside the zipped compartment.

1

- B X2
- C X2
- D X 16
- E X 16
- F X 16
- G X 1



2

