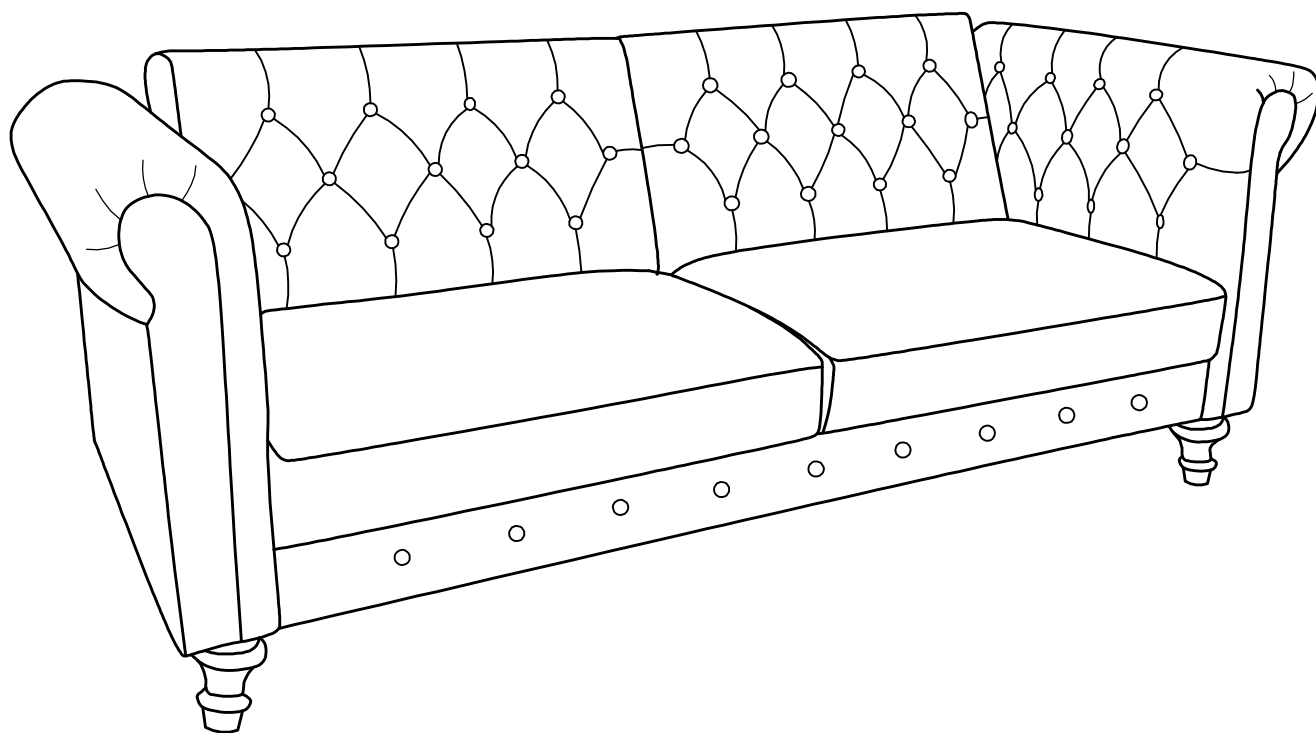
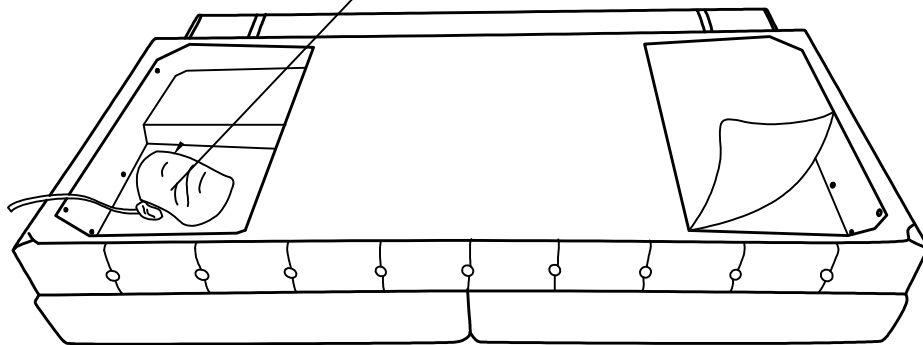
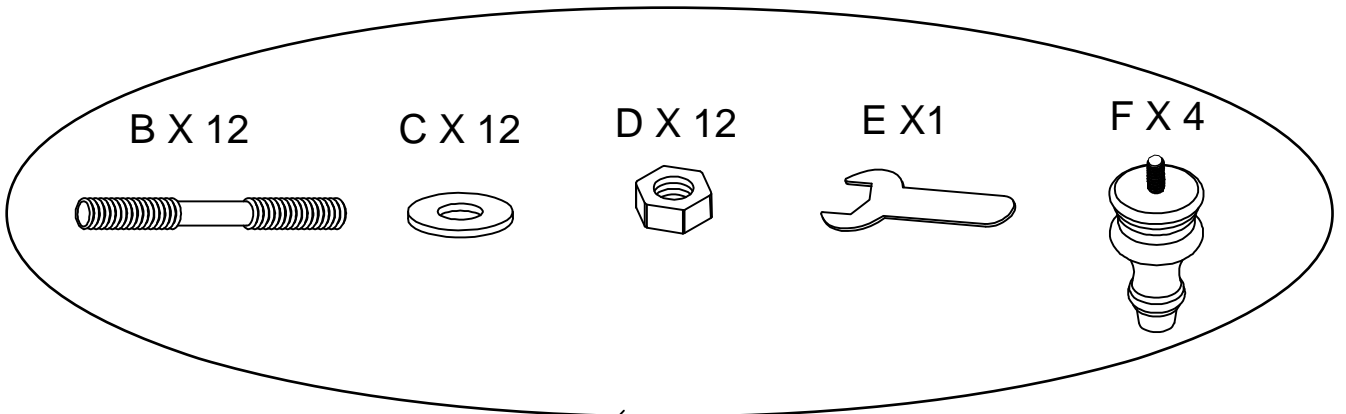
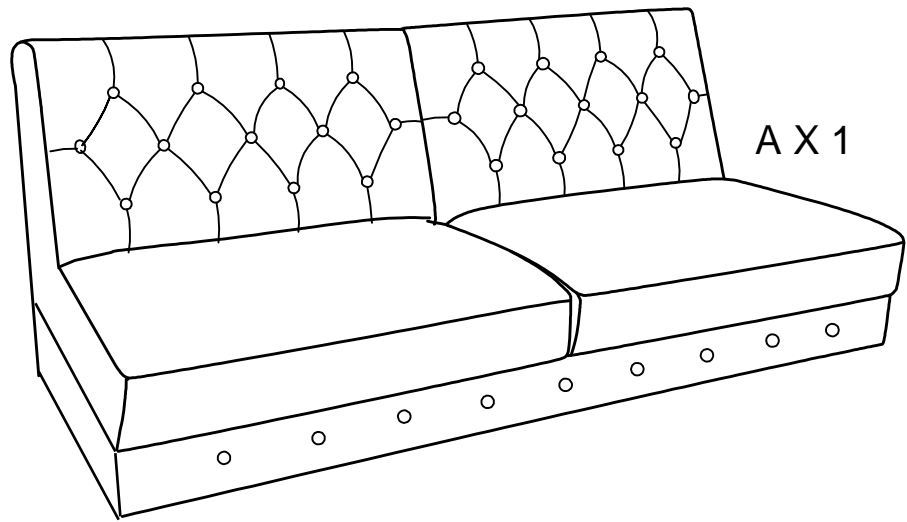


ASSEMBLY INSTRUCTION

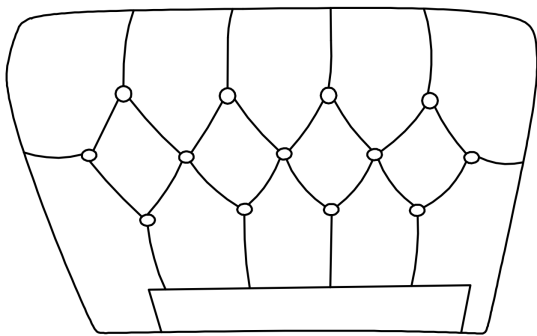
51270/51271/51272



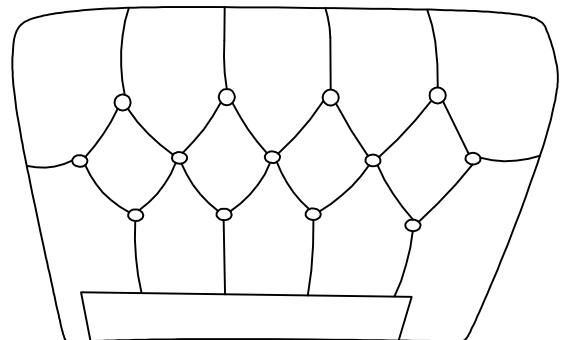
Box 1/2:



Box 2/2:

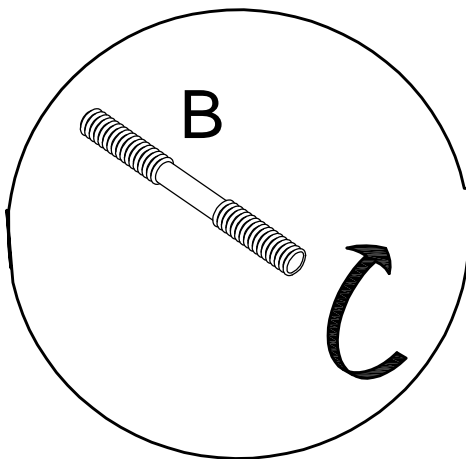
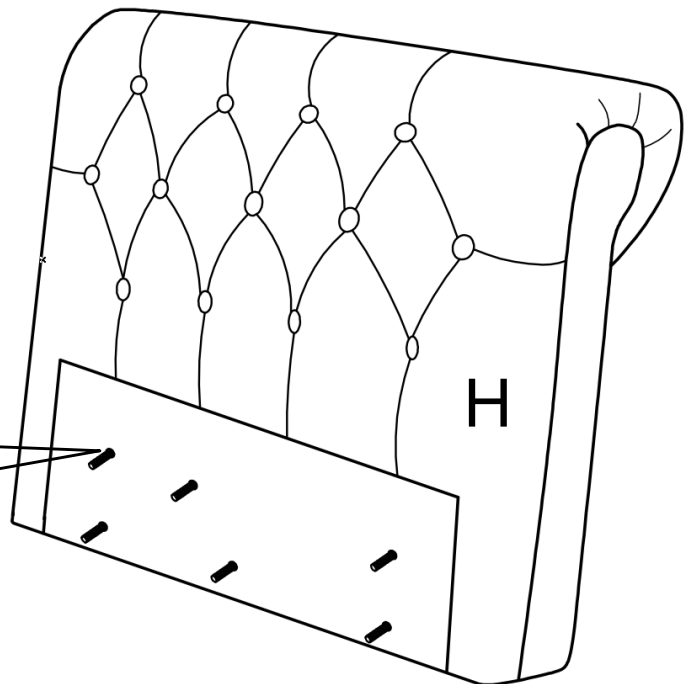
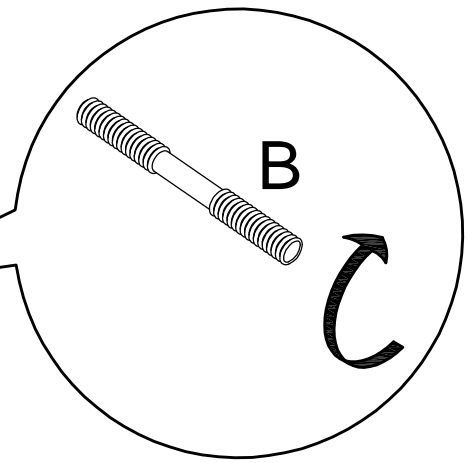
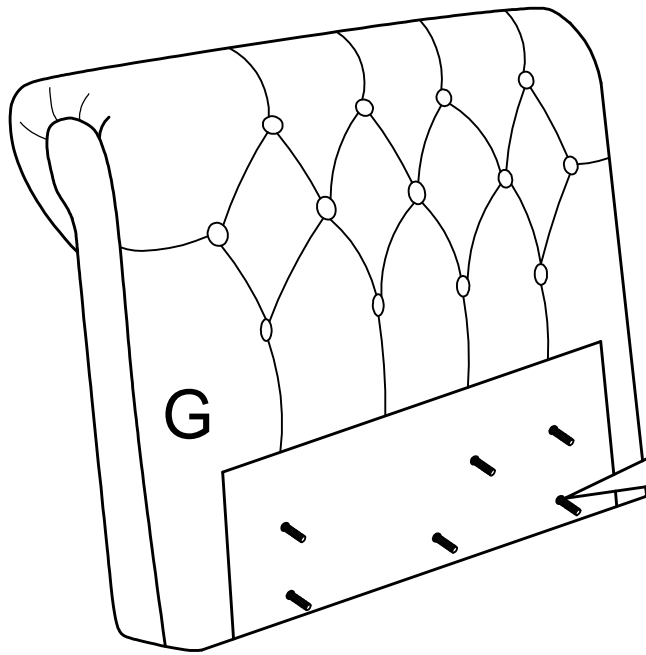
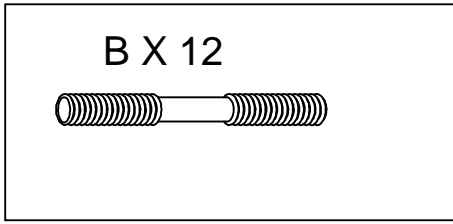


GX1

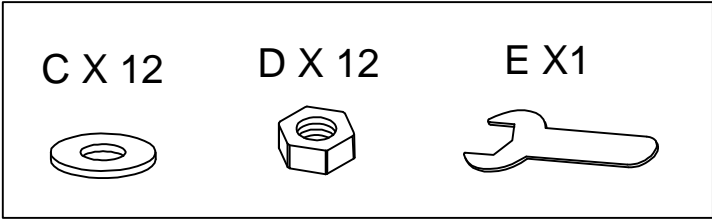


HX1

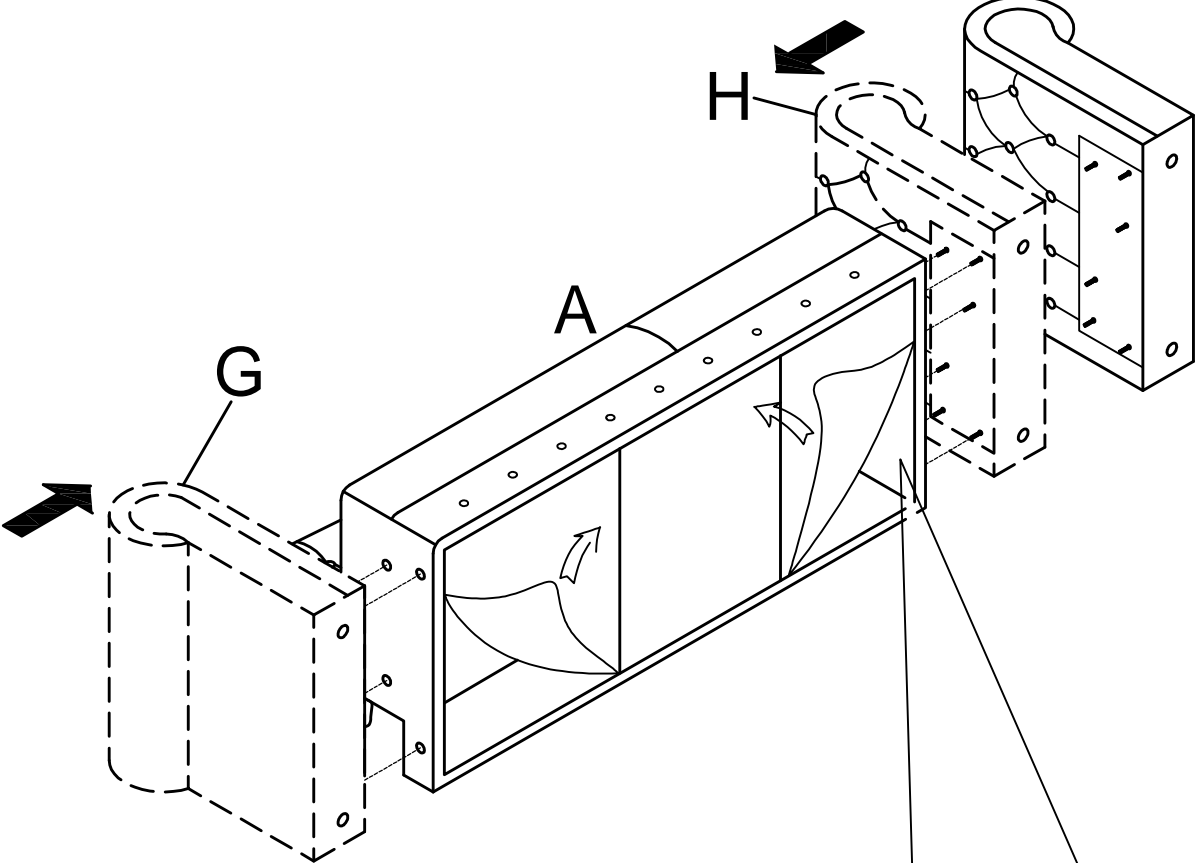
1



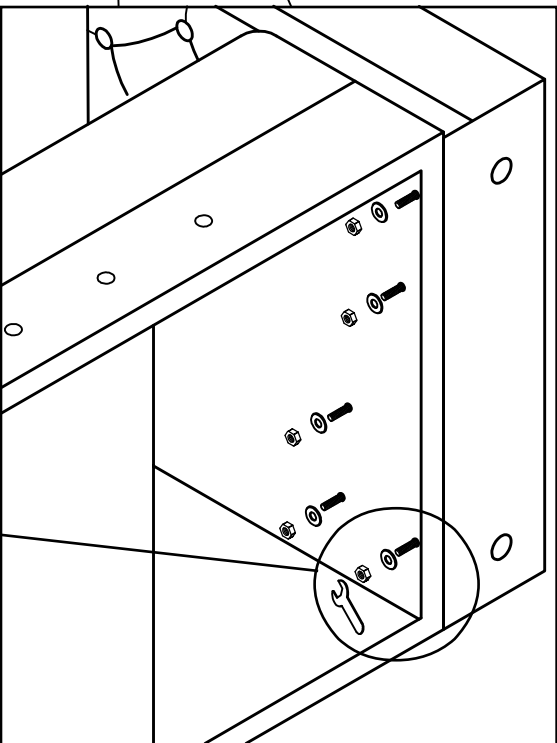
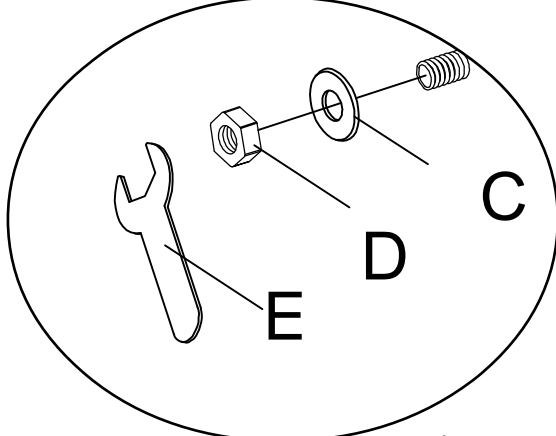
2



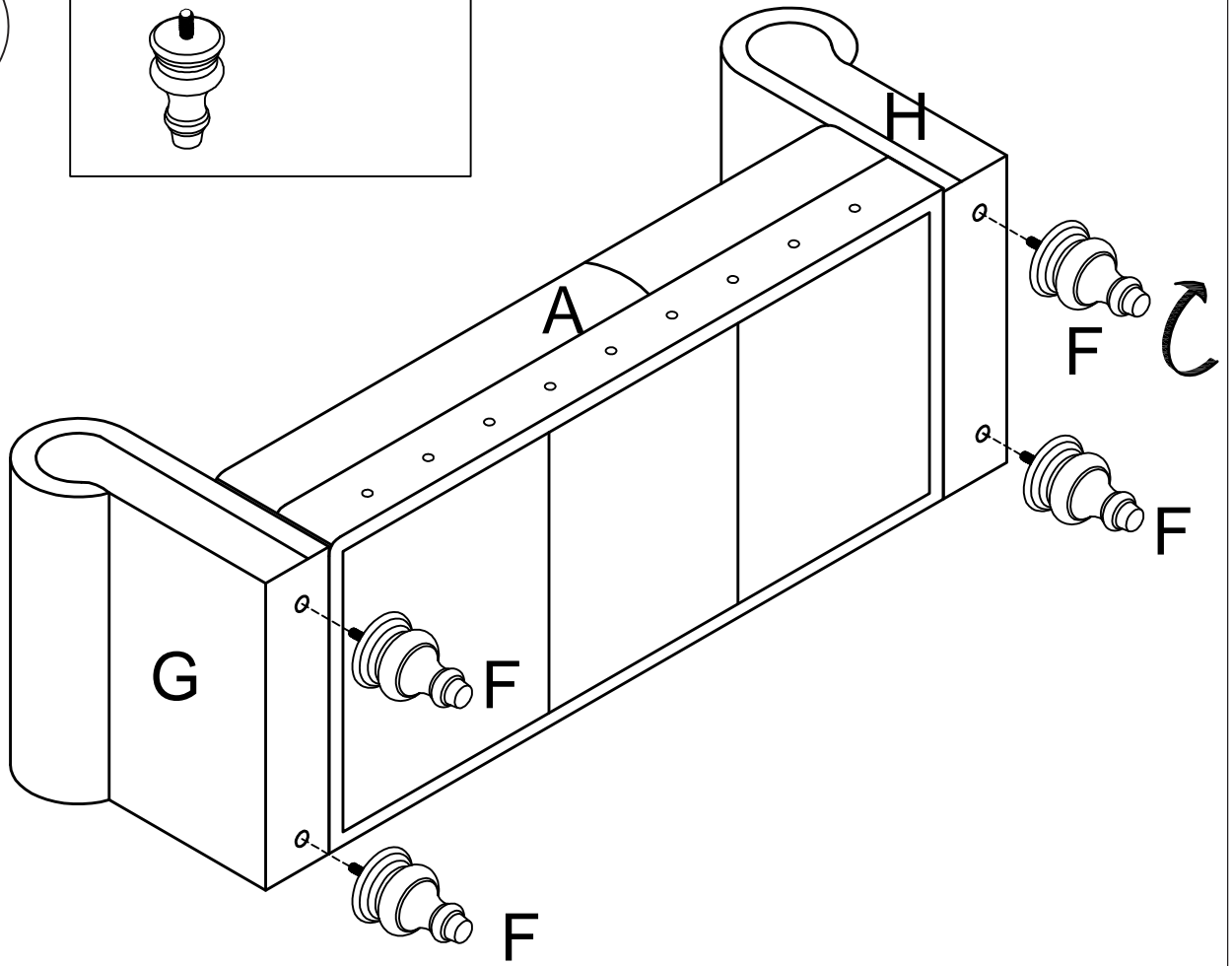
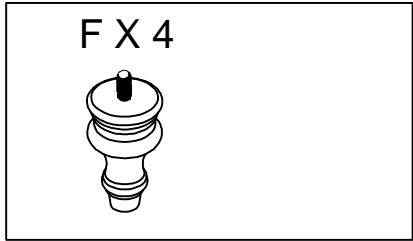
1. Insert armrest with bolt into sofa body



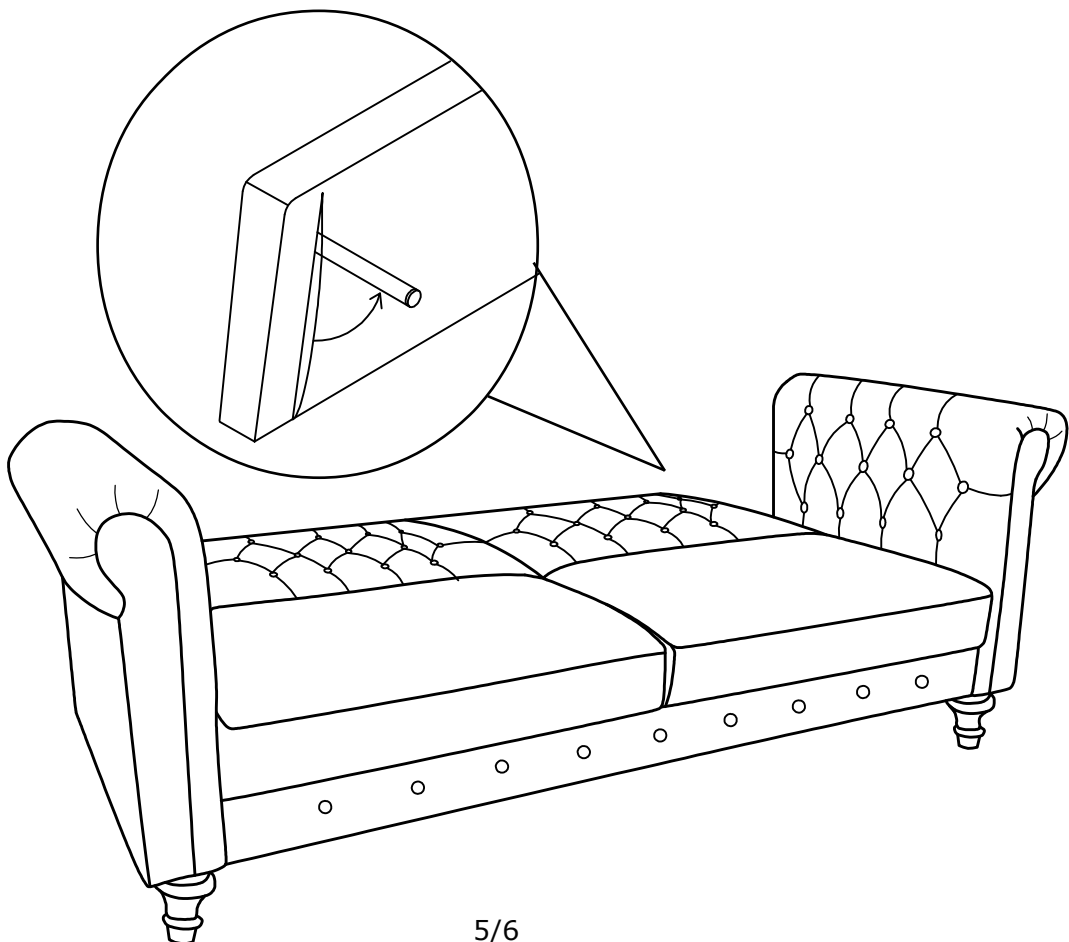
2. Lock armrest and sofa body by parts C D E



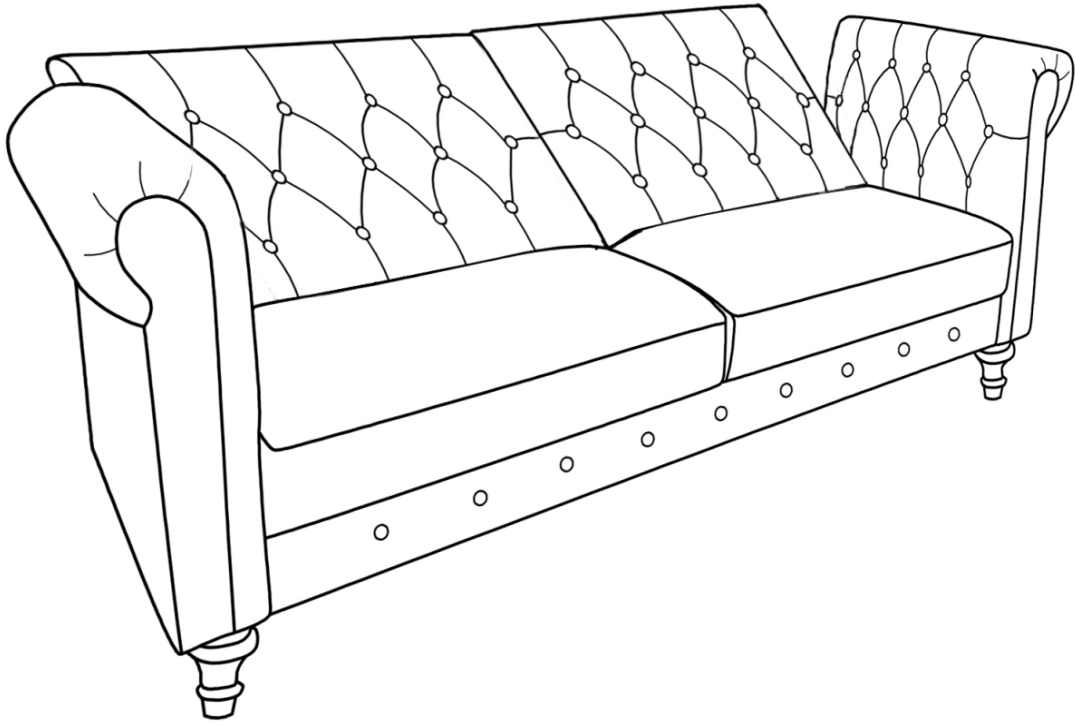
3



4



5



6

