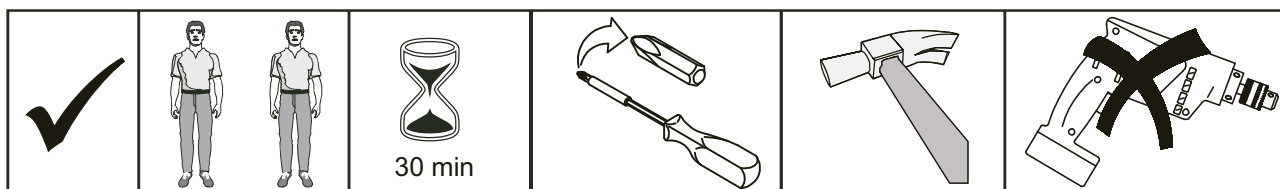
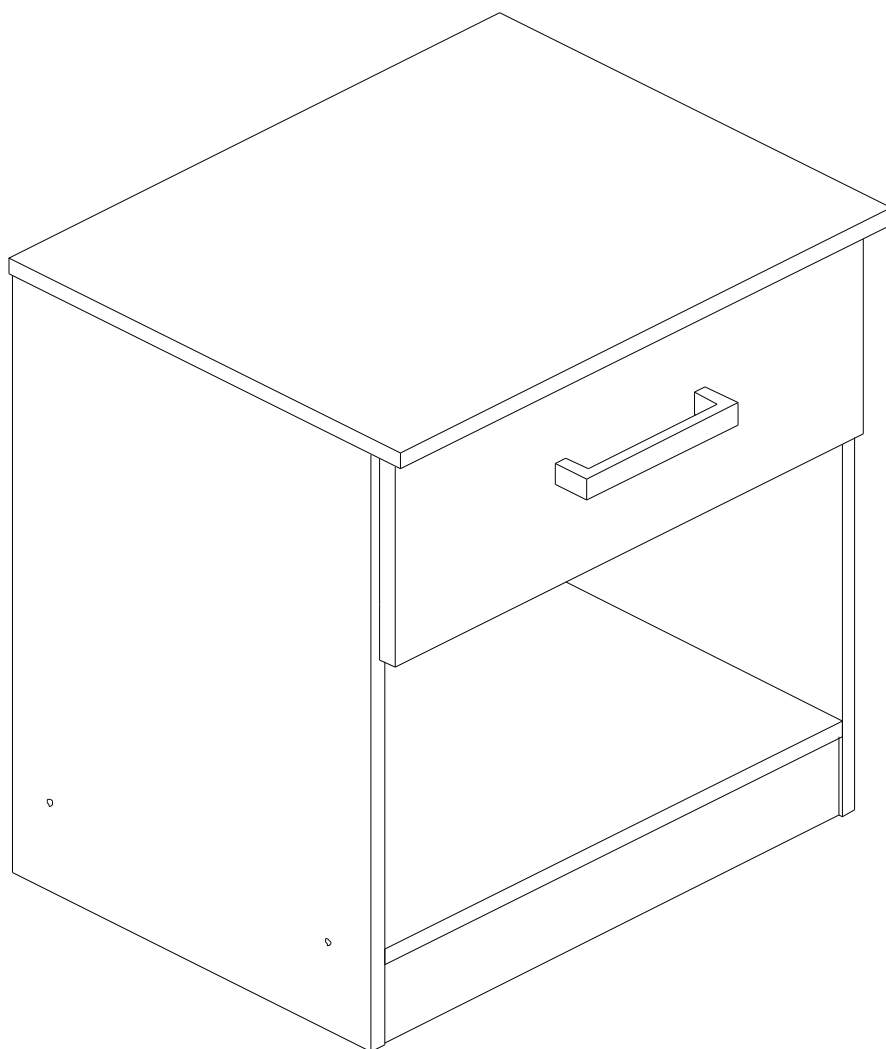
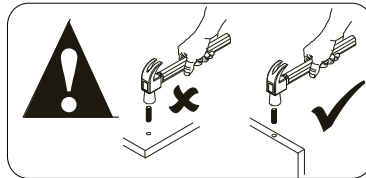
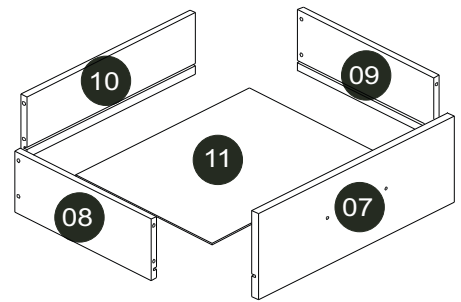
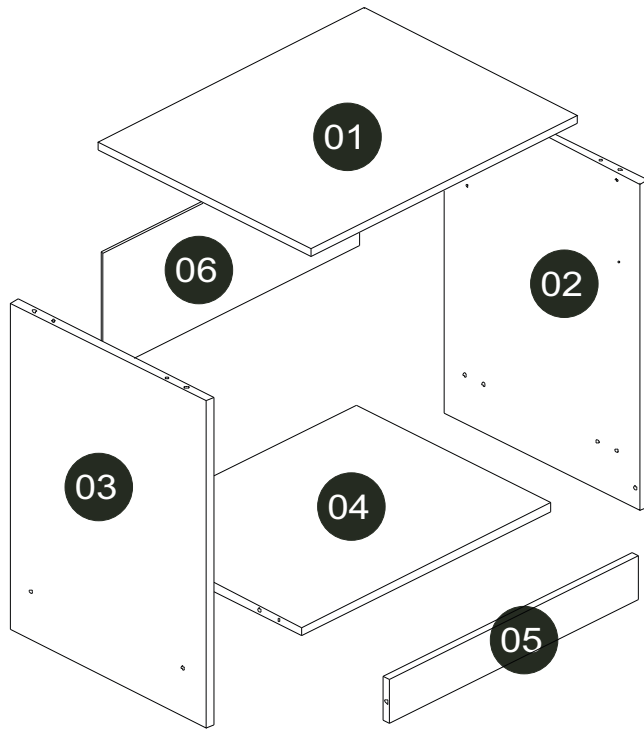
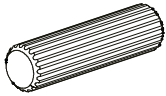
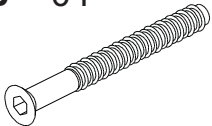
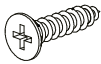

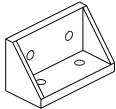
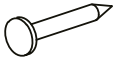
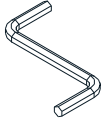
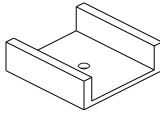
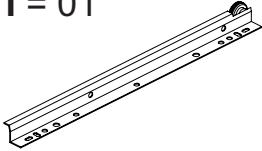
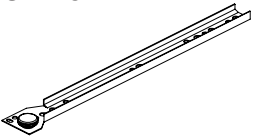


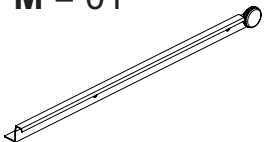
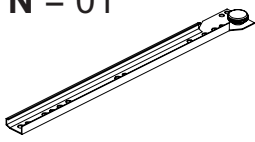



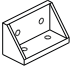


ASSEMBLY INSTRUCTION

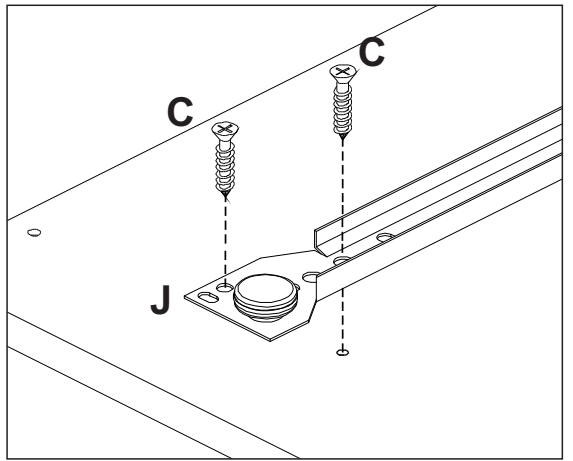
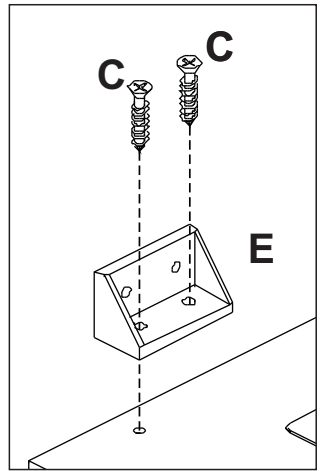
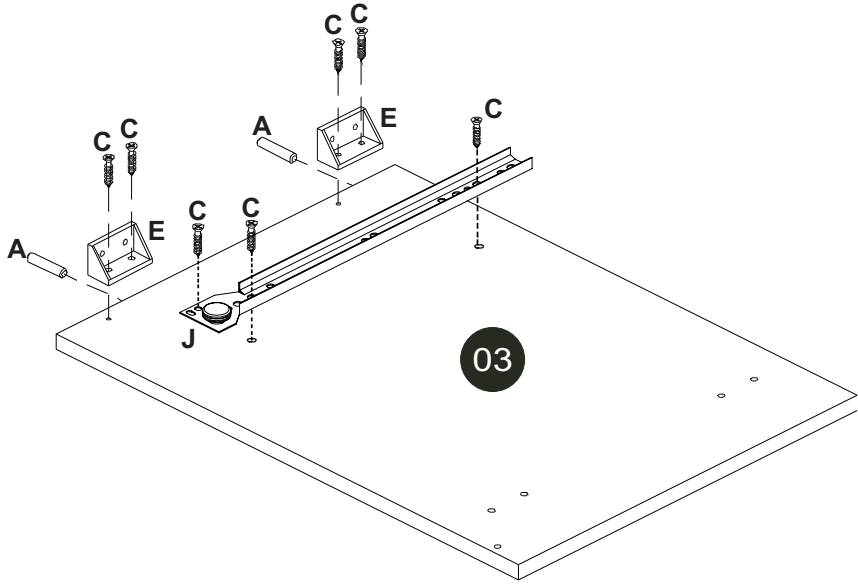





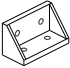


A = 14  6 x 30mm	B = 04  5 x 50mm	C = 42  3,5 x 12mm	D = 02  3,5 x 25mm	E = 08 
F = 17  10 x 20mm	G = 01 	H = 05 	I = 01 	J = 01 
K = 01 	L = 04  3,5 x 40mm	M = 01 	N = 01 	

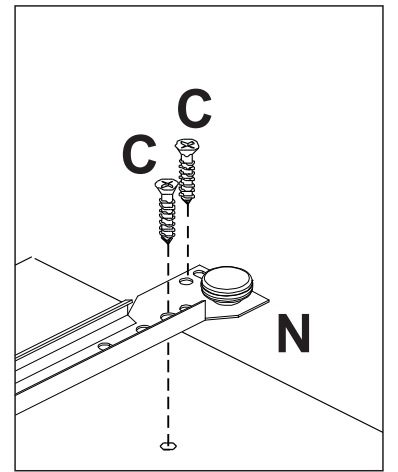
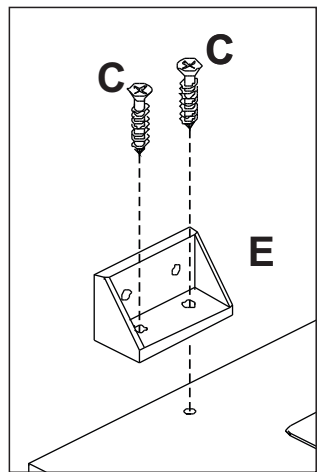
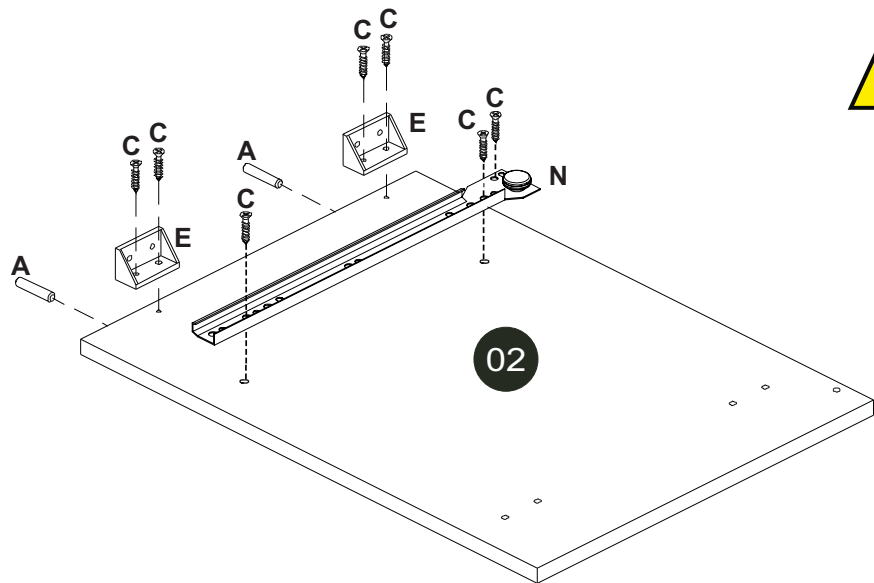
1

C = 07  3,5 x 12mm	E = 02 	J = 04 	A = 02  6 x 30mm
--	---	---	---



2

C = 07  3,5 x 12mm	E = 02 	N = 01 	A = 02  6 x 30mm
--	--	--	--

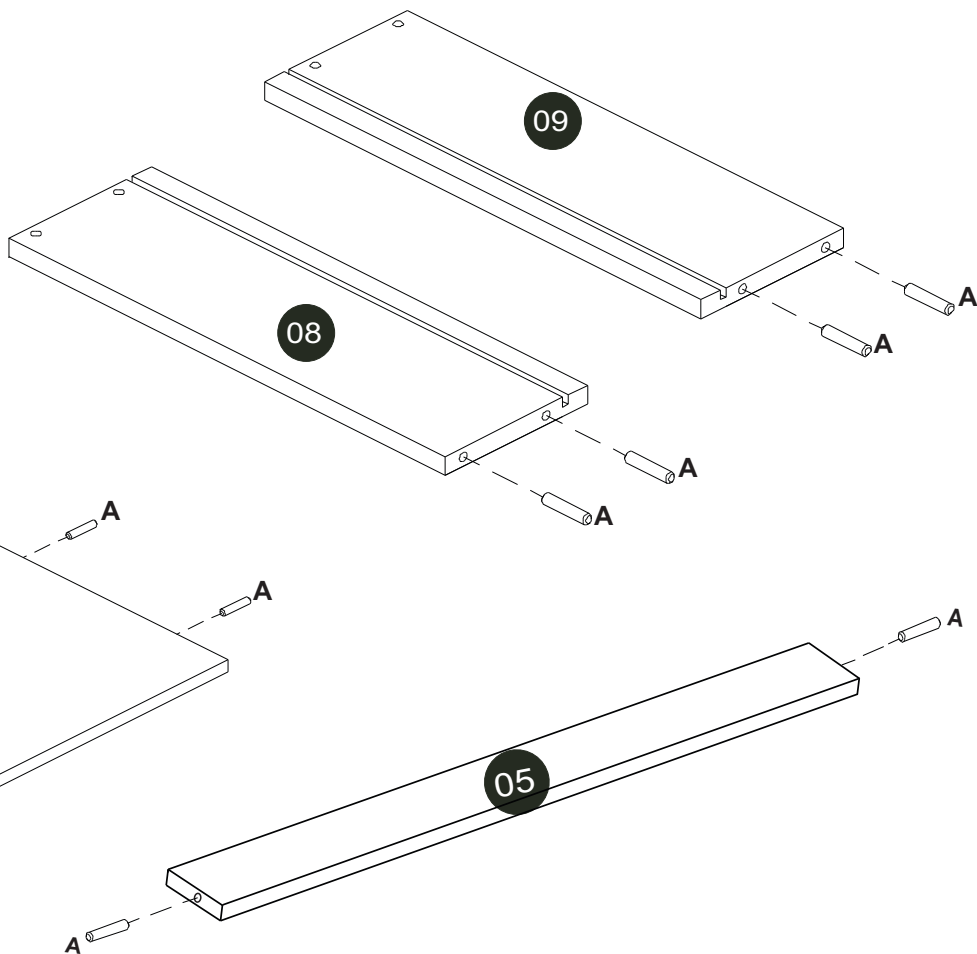
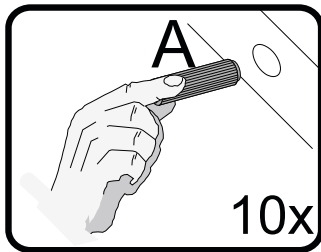


3

A = 10

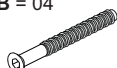


6 x 30mm



4

B = 04



5 x 50mm

C = 08



3,5 x 12mm

F = 05



10 x 20mm

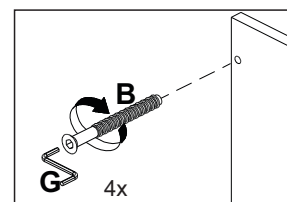
G = 01



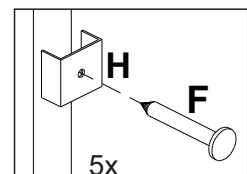
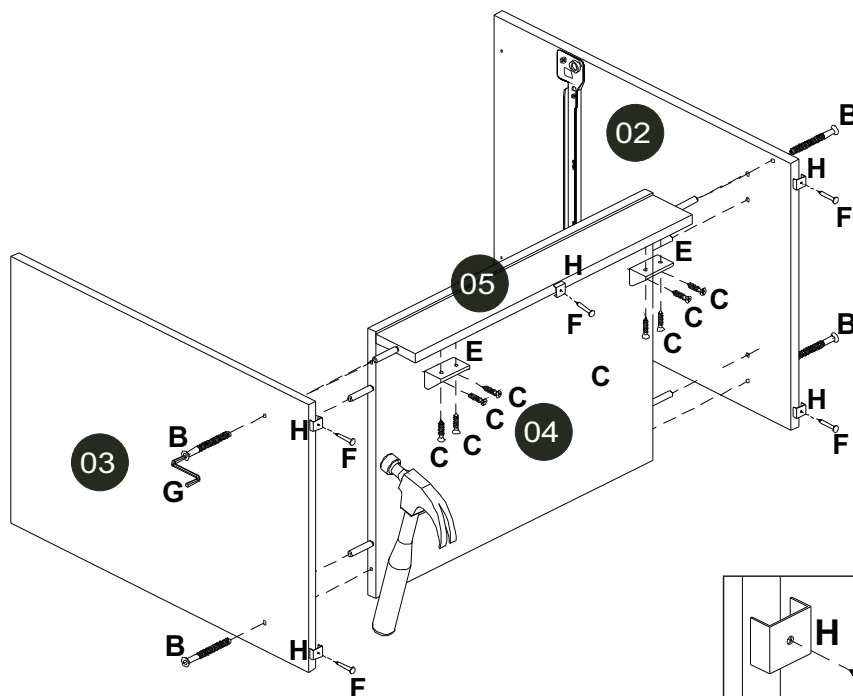
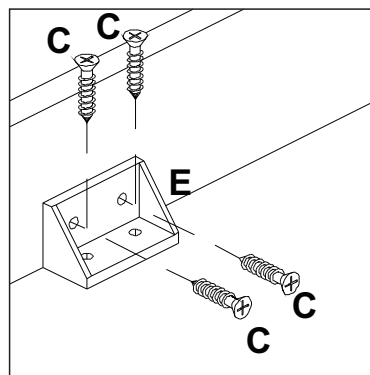
H = 05



E = 02



4x



5x

5

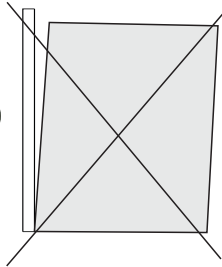
C = 8



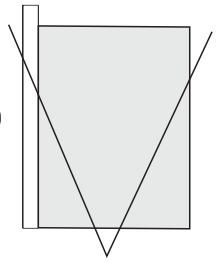
3.5 x 12mm



01



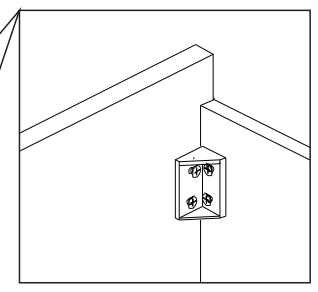
02



01

02

03

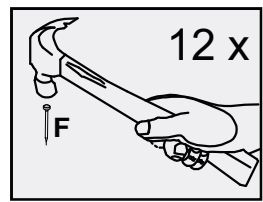
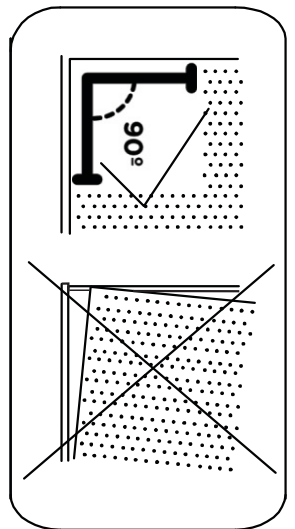
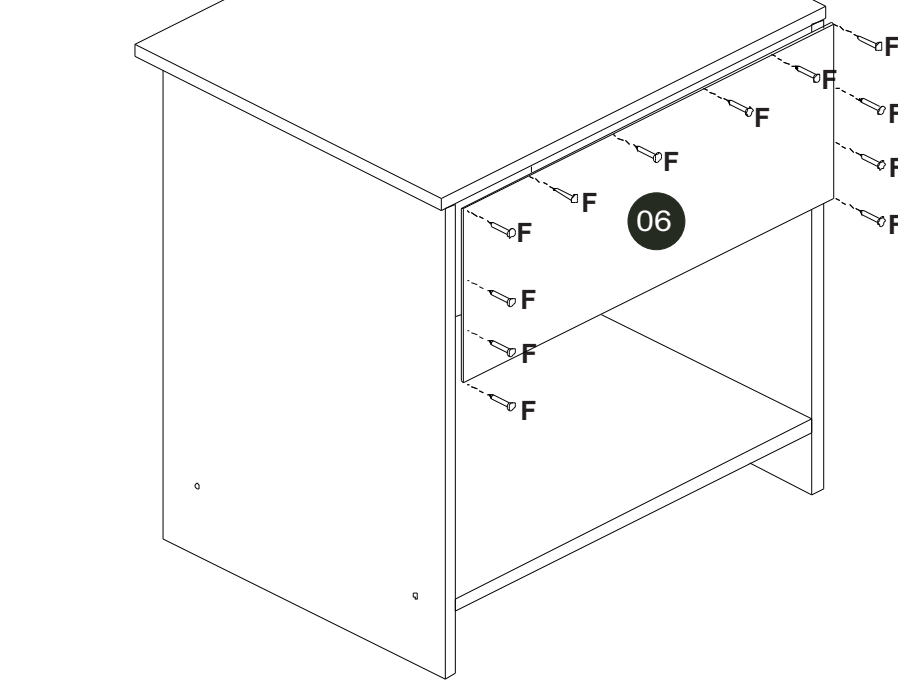


6



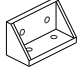
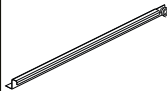
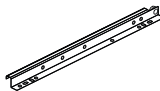
F = 12

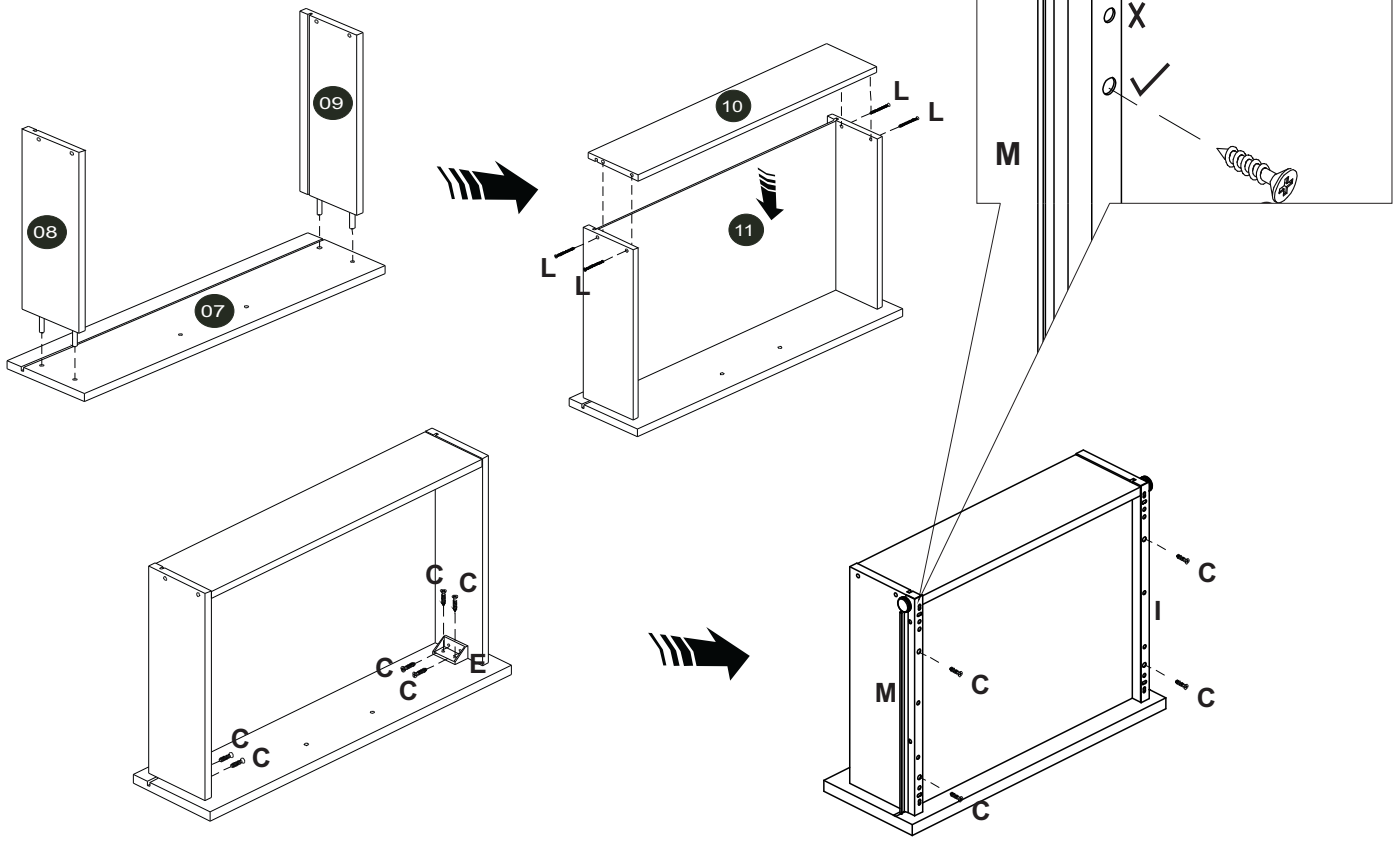


10 x 20mm





7

- | | | | | |
|--|---|---|--|---|
| L = 04

3,5 x 40mm | C = 12

3,5 x 12mm | E = 02
 | M = 01
 | I = 01
 |
|--|---|---|--|---|



8

- | | |
|---|---|
| D = 02

3,5 x 25mm | K = 01
 |
|---|---|

