

ASSEMBLY INSTRUCTIONS

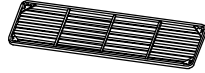
PARTS AND HARDWARE

Avoid using sharp objects such as a knife to cut open packing as you may accidentally damage the upholstery.

Do not fully tighten bolts until assembly is complete.



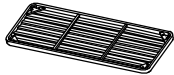
A:1PC



B:1PC



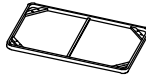
C:1PC



D:1PC



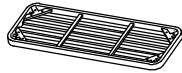
E:16PCS



F:1PC



G:4PCS



H:1PC



I:1PC



M6*15MM

J:64PCS

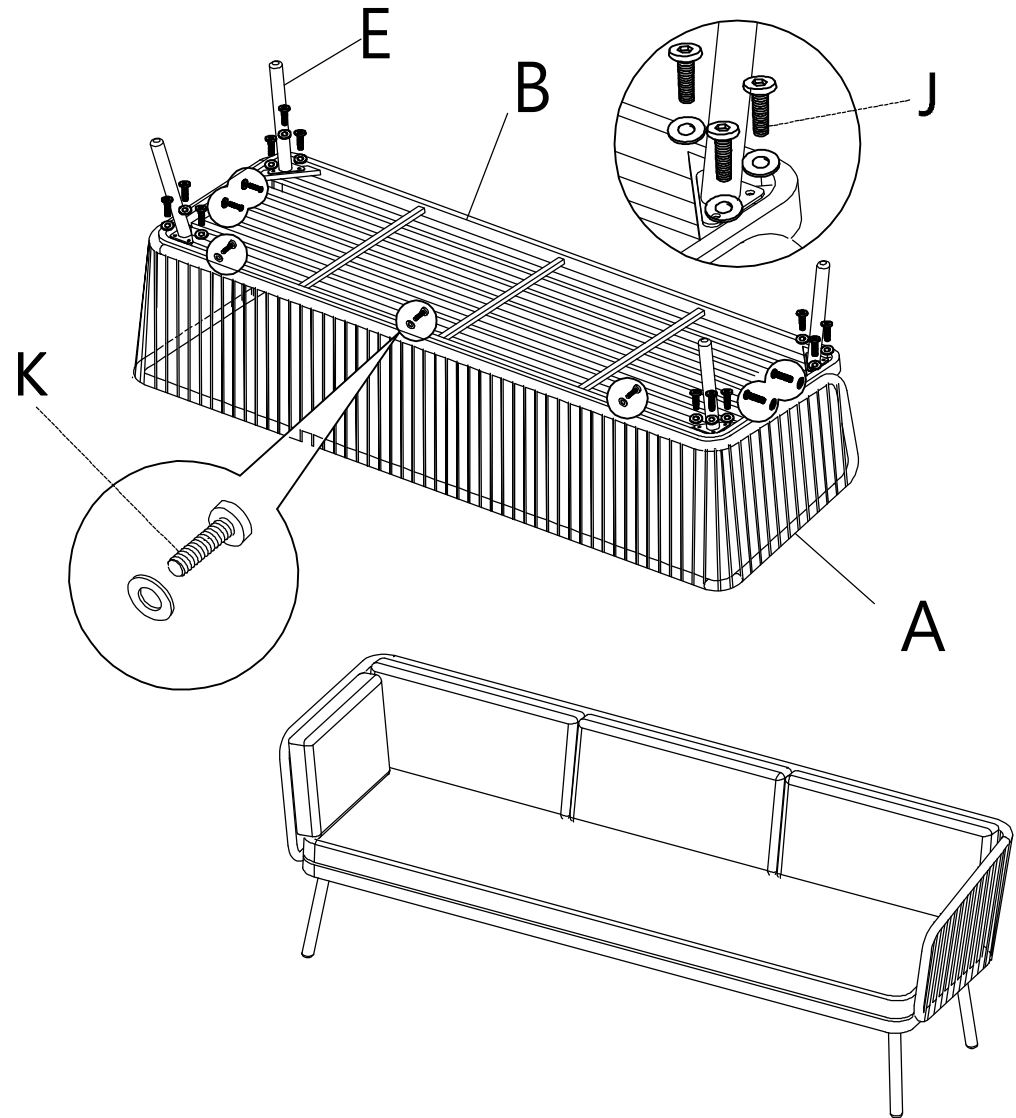


M6*40MM

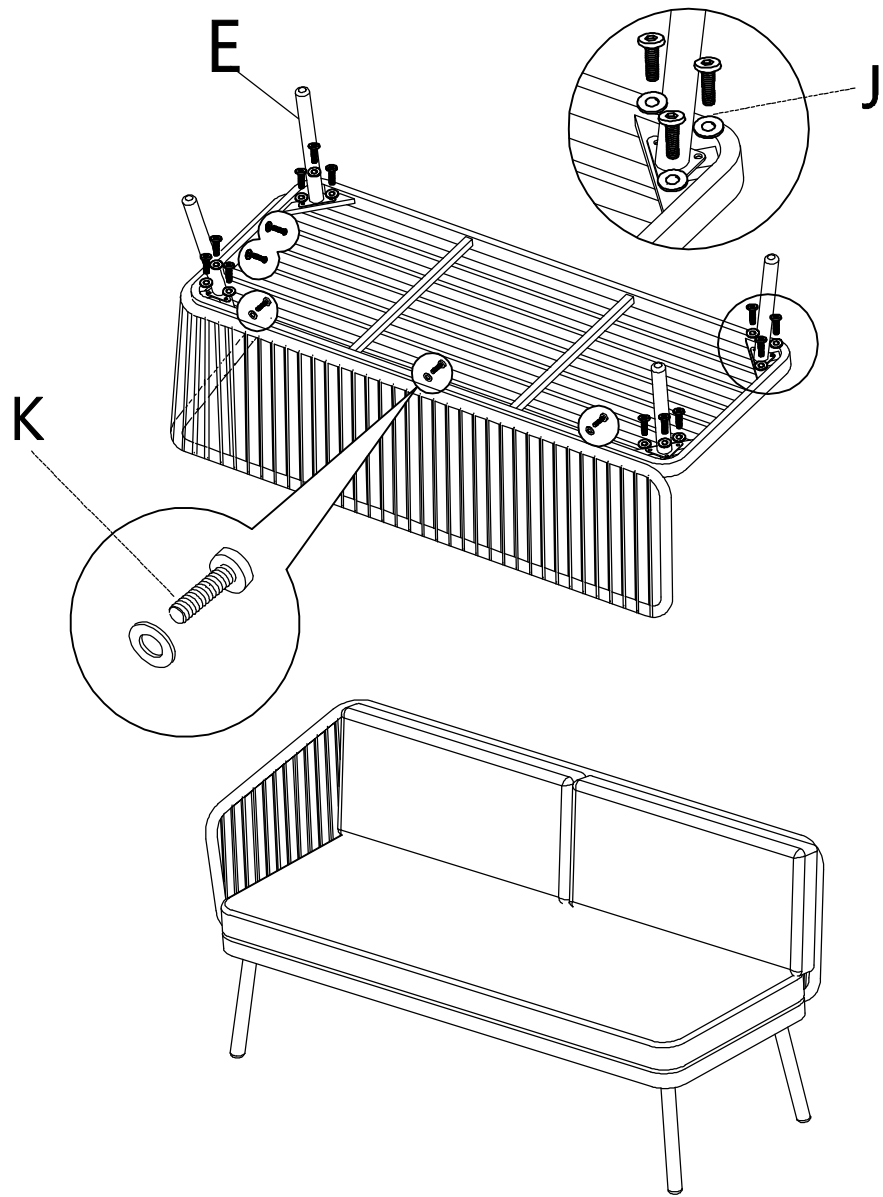
K:12PCS



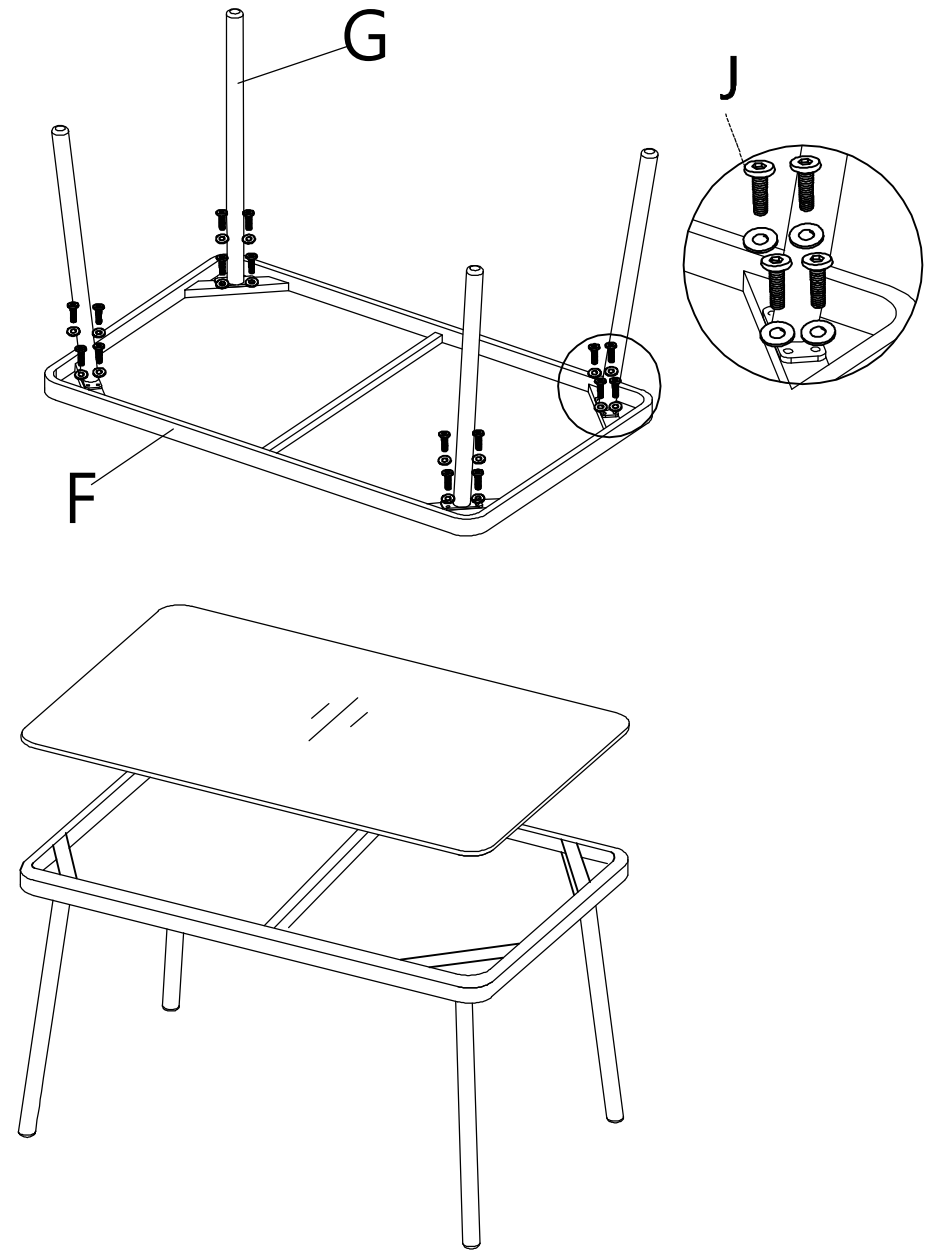
L:1PC



Do not fully tighten bolts until assembly is complete.



Do not fully tighten bolts until assembly is complete.



Do not fully tighten bolts until assembly is complete.

Do not fully tighten bolts until assembly is complete.

