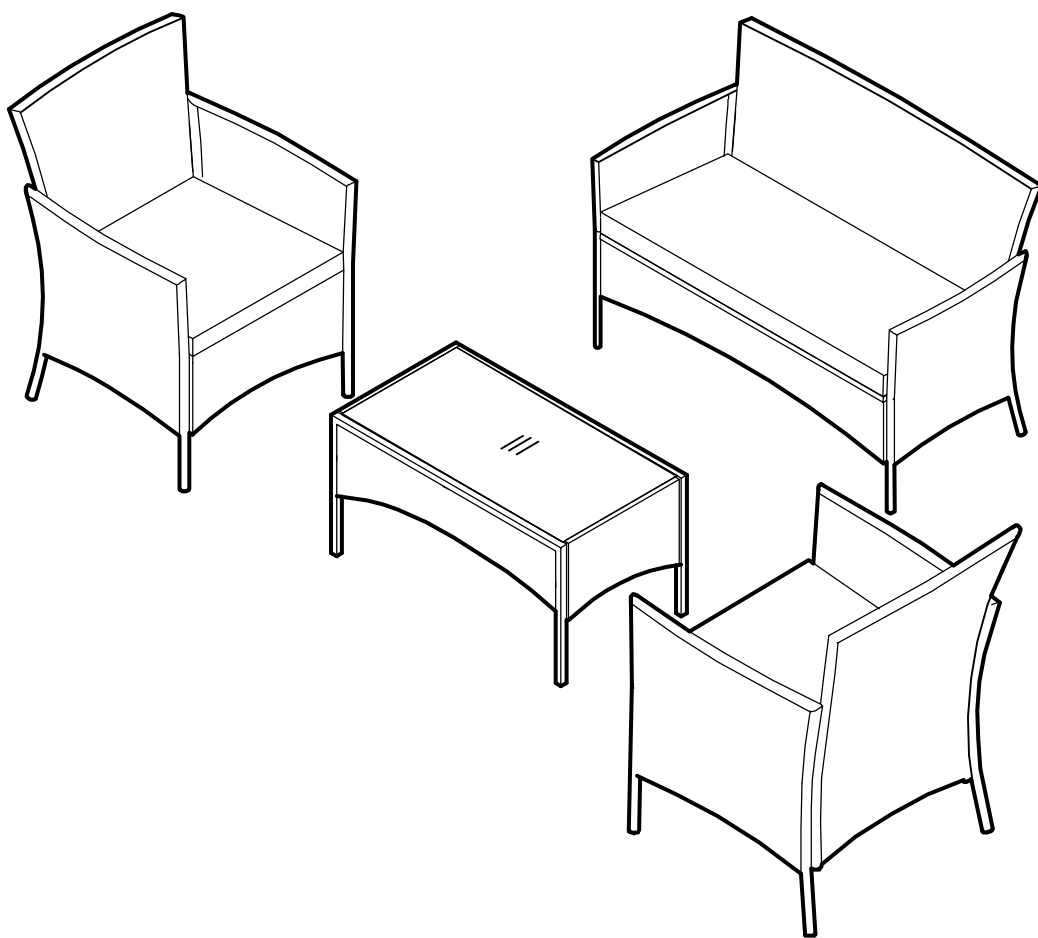
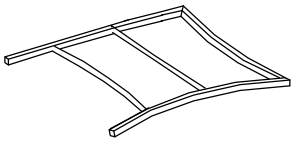
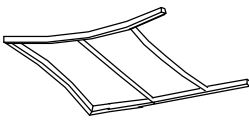
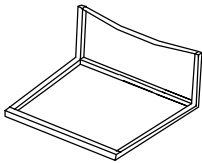
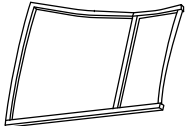
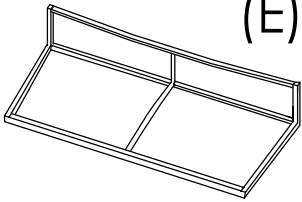
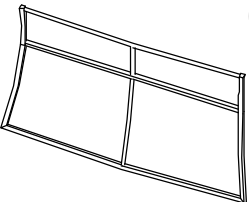
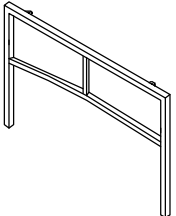
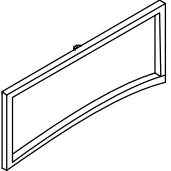
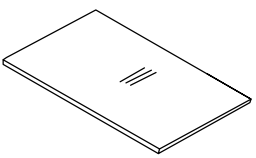
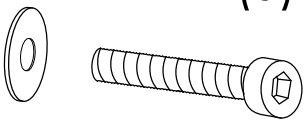

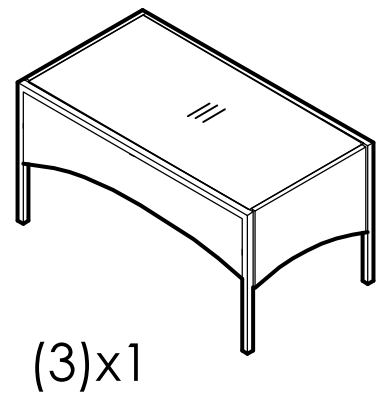
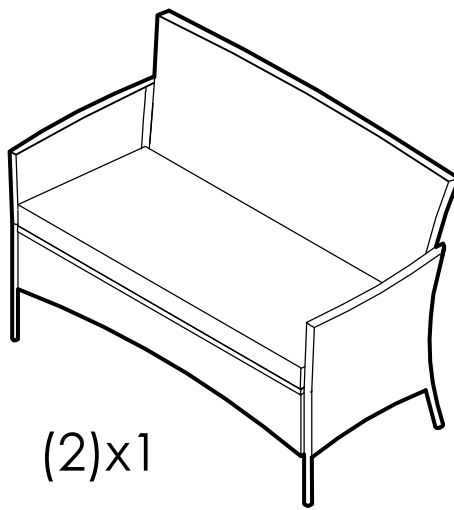
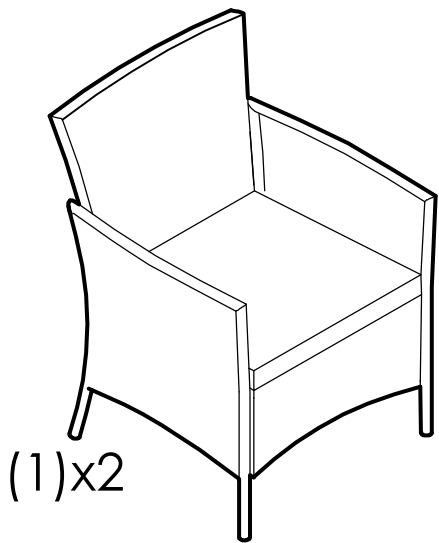


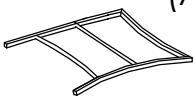
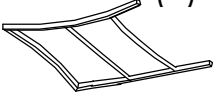
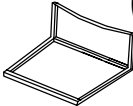
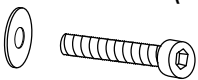

GRS

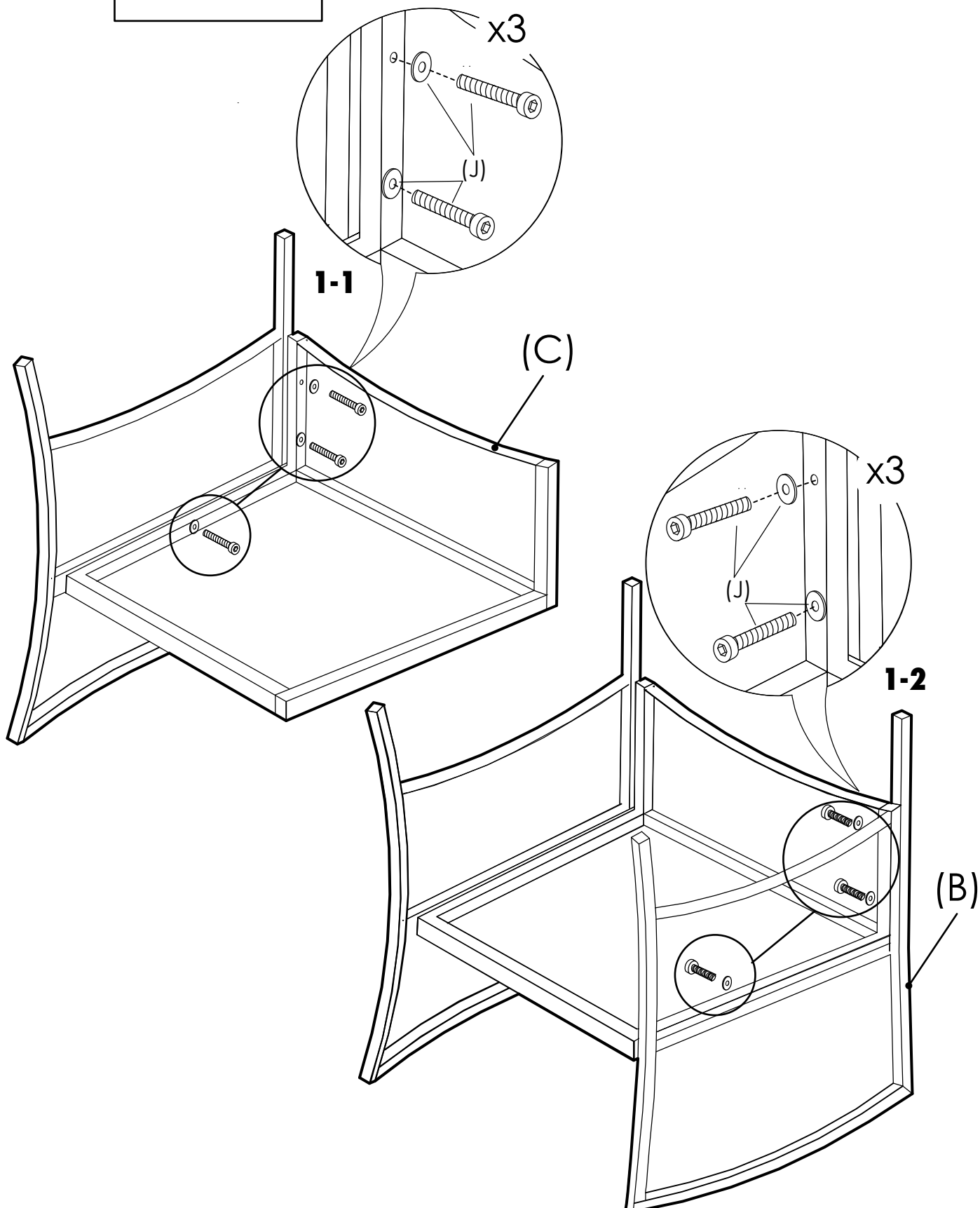


 <p>(A)x3</p>	 <p>(B)x3</p>	 <p>(C)x2</p>
 <p>(D)x2</p>	 <p>(E)x1</p>	 <p>(F)x1</p>
 <p>(G)x2</p>	 <p>(H)x2</p>	 <p>(I)x1</p>
 <p>(J)x46</p> <p>M6x40</p>	 <p>(K)x1</p>	

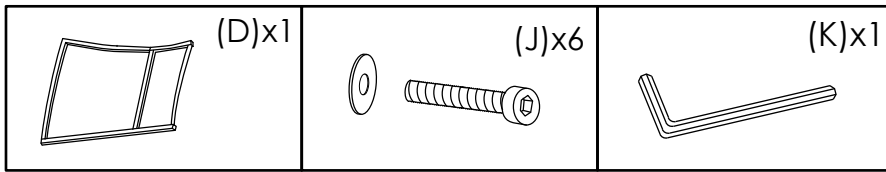


1.

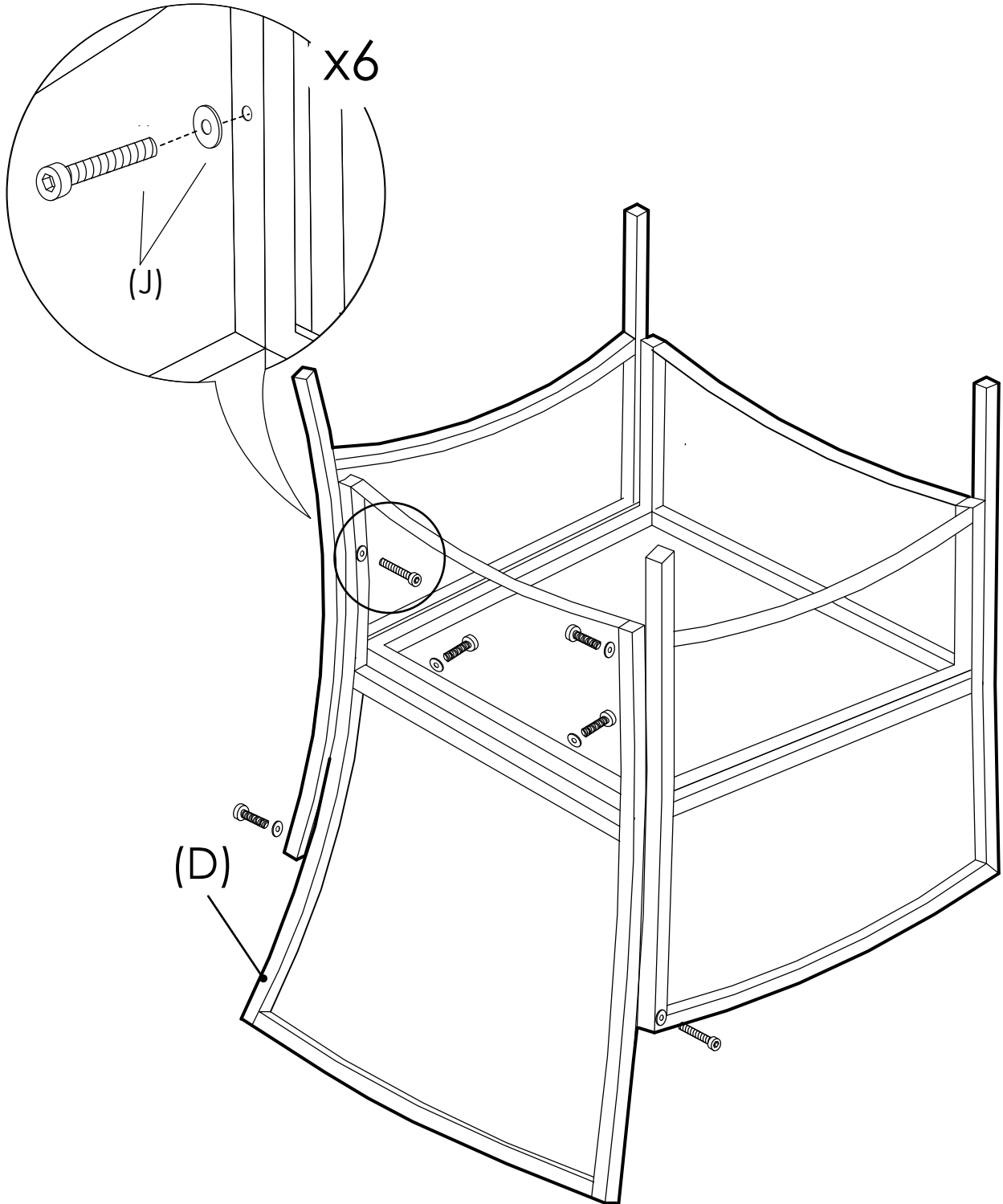
 (A)x1	 (B)x1	 (C)x1	 (J)x6
 (K)x1			



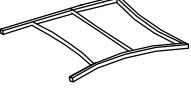
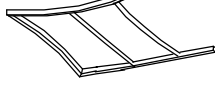
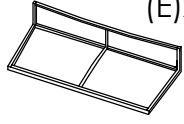
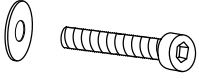

2.

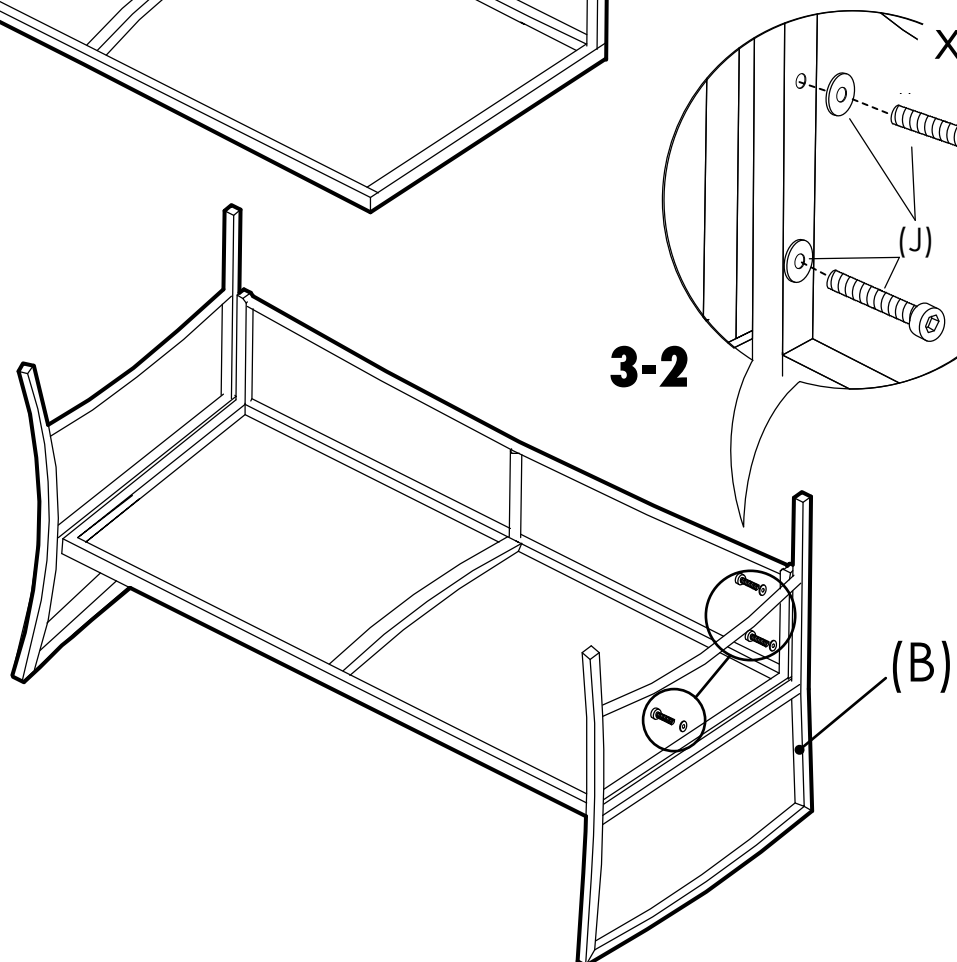
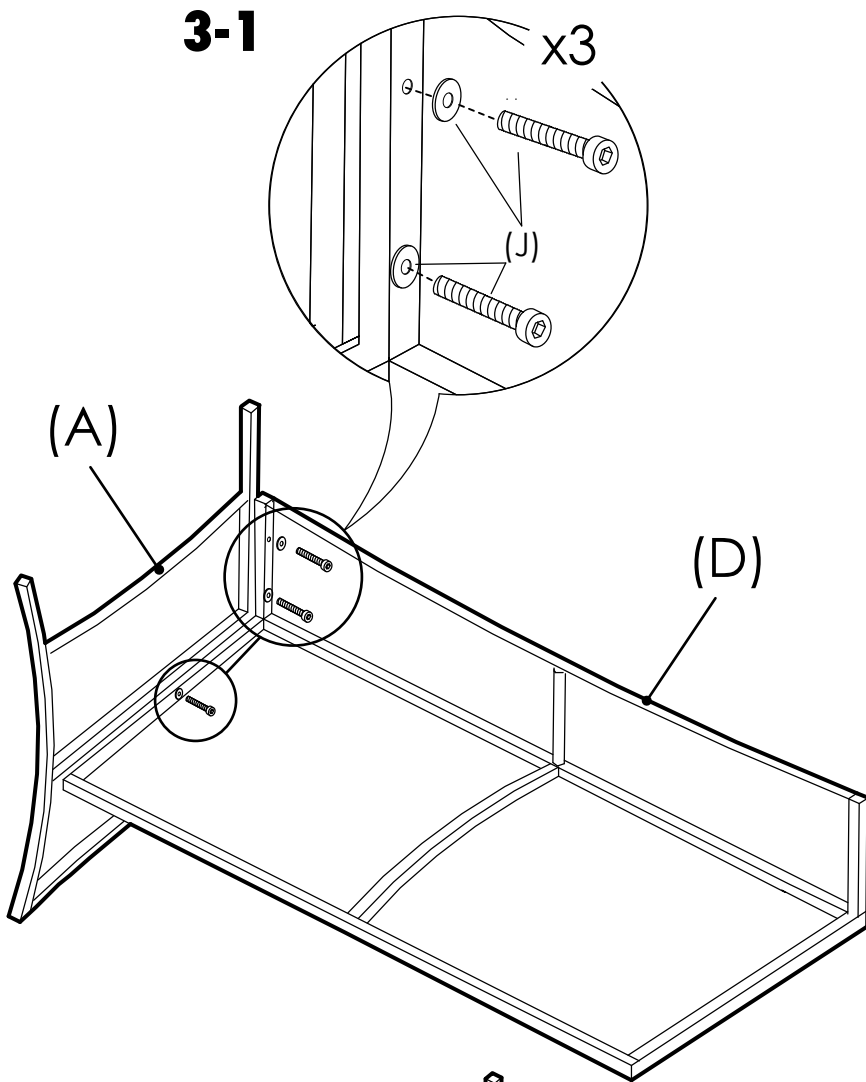


2-1

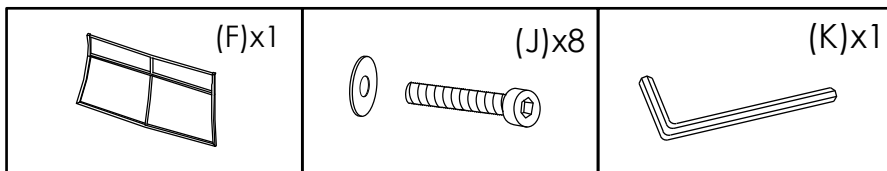


3.

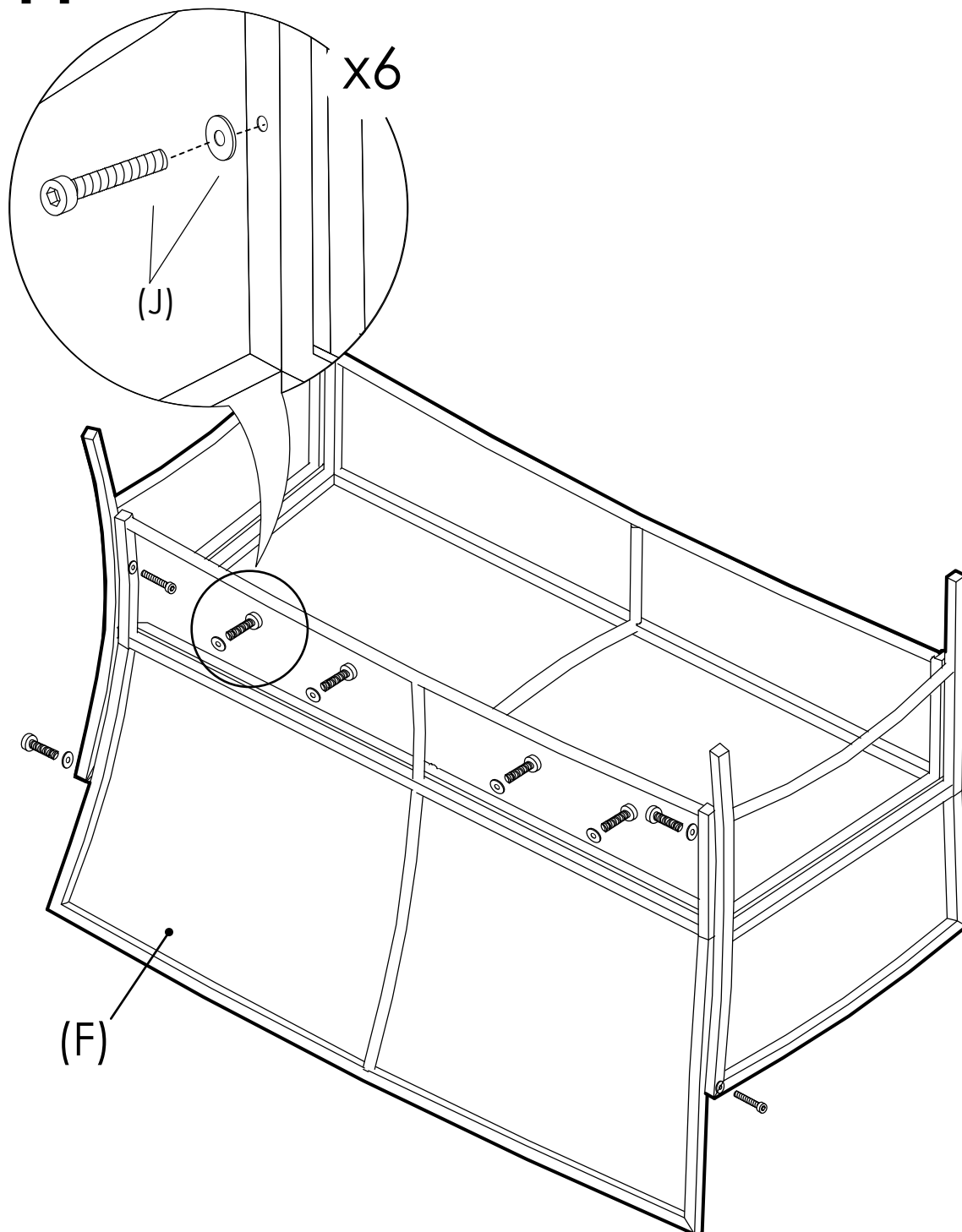
 (A)x1	 (B)x1	 (E)x1	 (J)x6
			 (K)x1



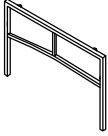
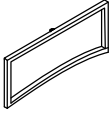
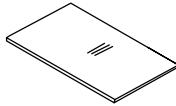
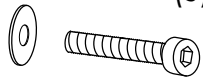

4.



4-1



5.

	(G)x2		(H)x2		(I)x1		(J)x8
							(K)x1

