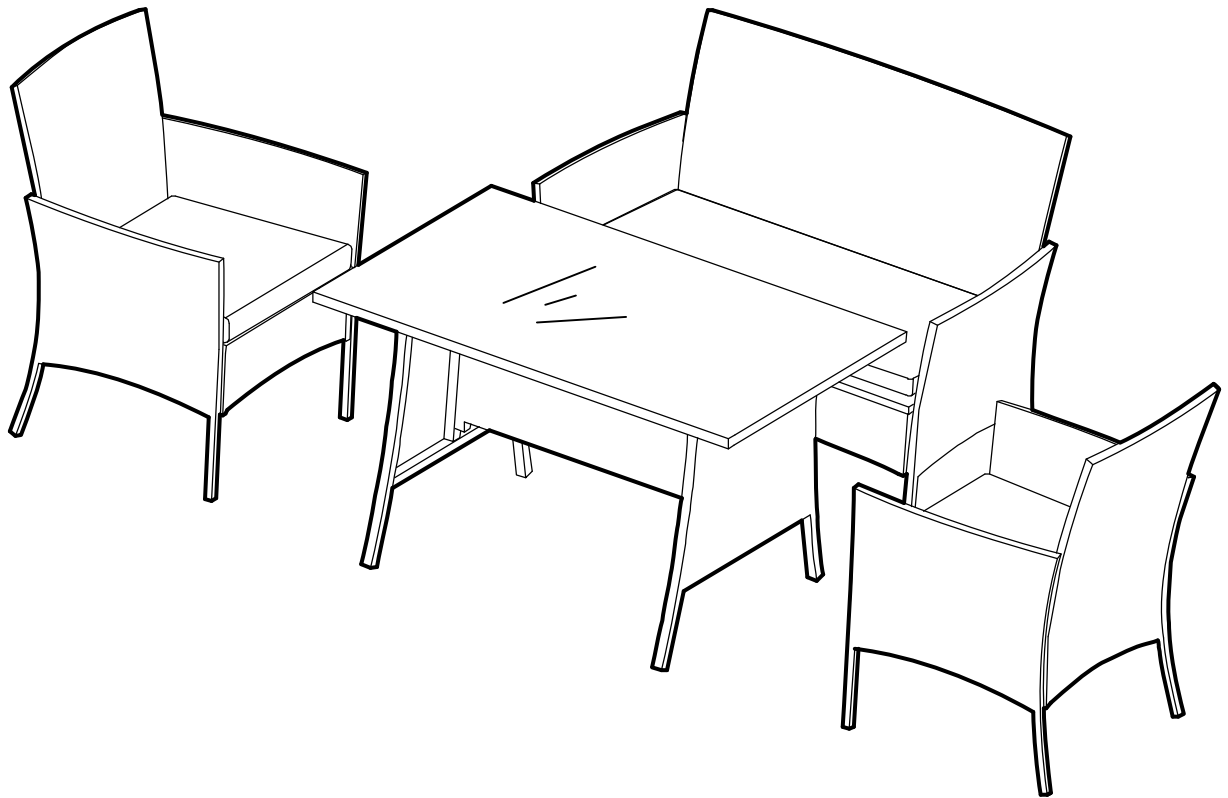
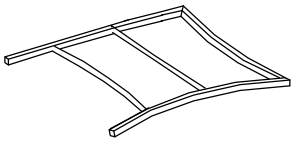
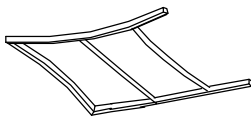
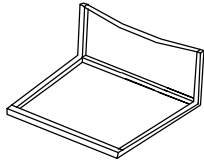
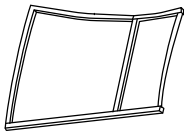
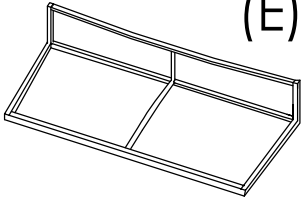
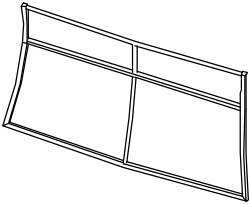
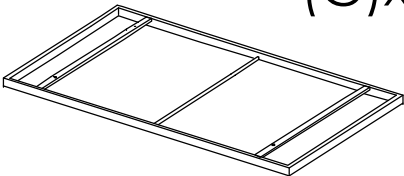
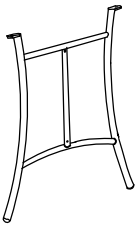
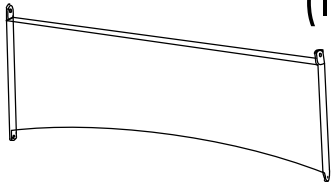
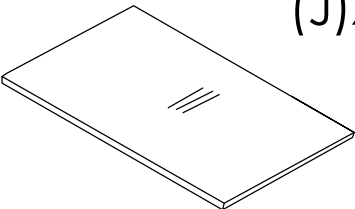
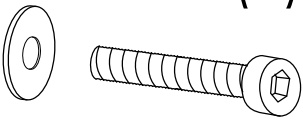
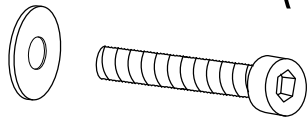

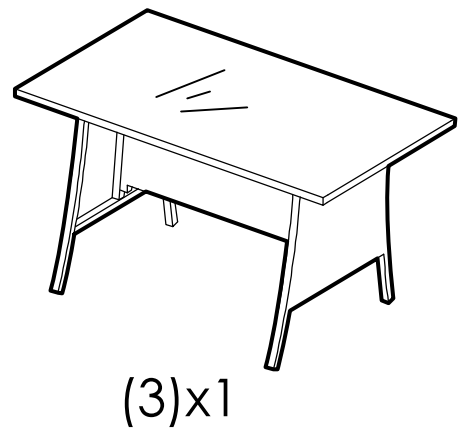
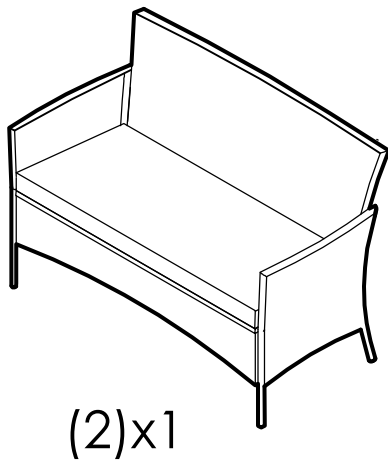
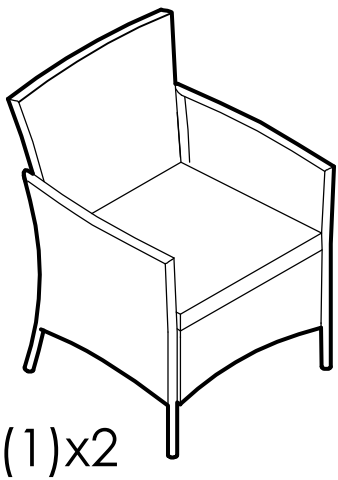


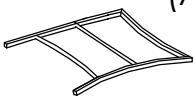
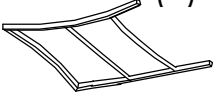
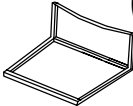
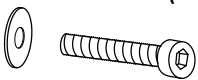

# GRS

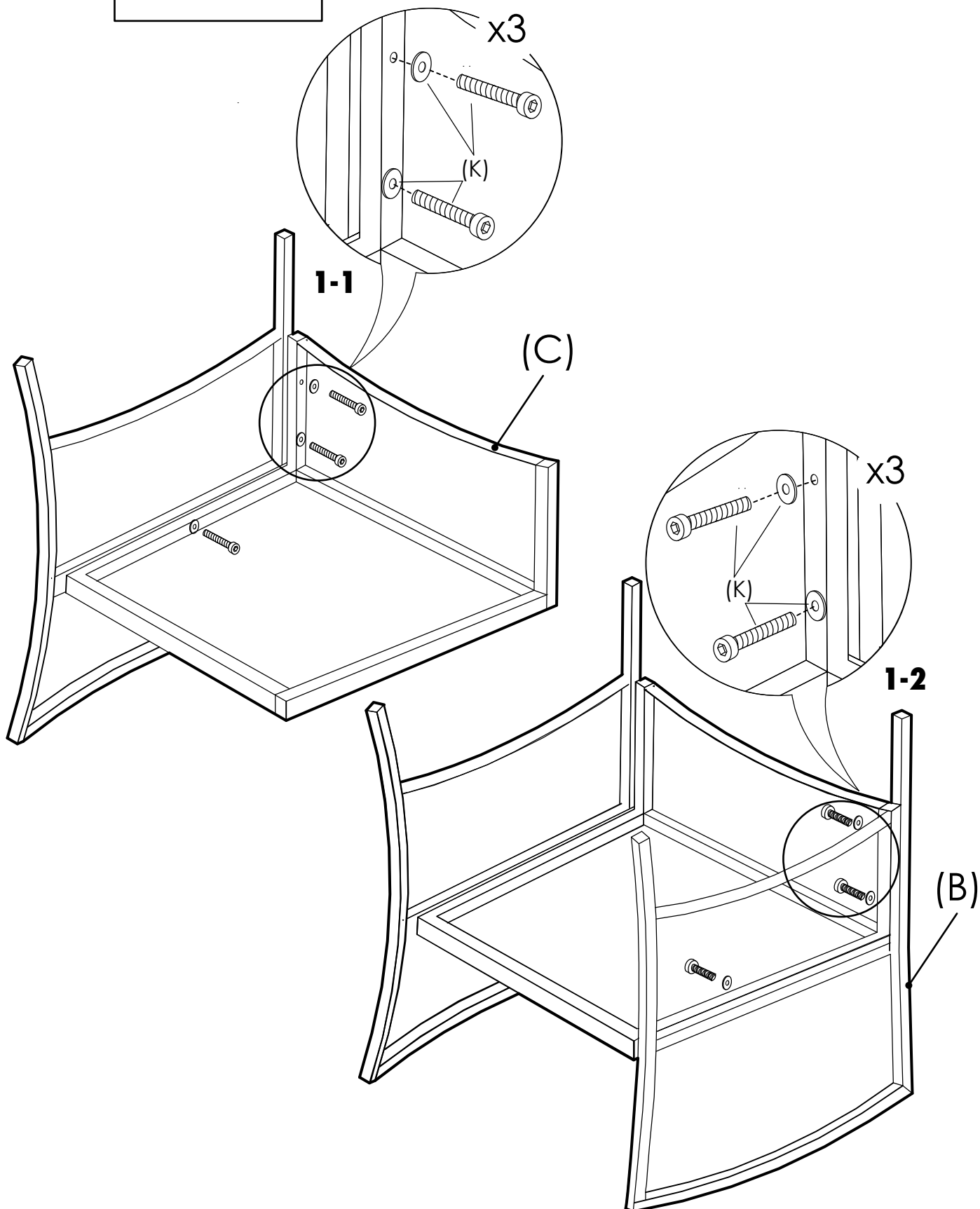


 <p>(A)x3</p>	 <p>(B)x3</p>	 <p>(C)x2</p>
 <p>(D)x2</p>	 <p>(E)x1</p>	 <p>(F)x1</p>
 <p>(G)x1</p>	 <p>(H)x2</p>	 <p>(I)x1</p>
 <p>(J)x1</p>	 <p>(K)x38</p> <p>M6x40</p>	 <p>(L)x8</p> <p>M6x15</p>
 <p>(M)x1</p>		

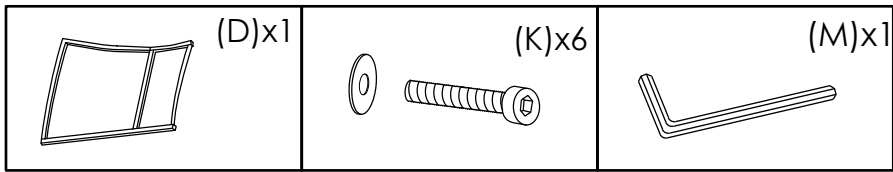


# 1.

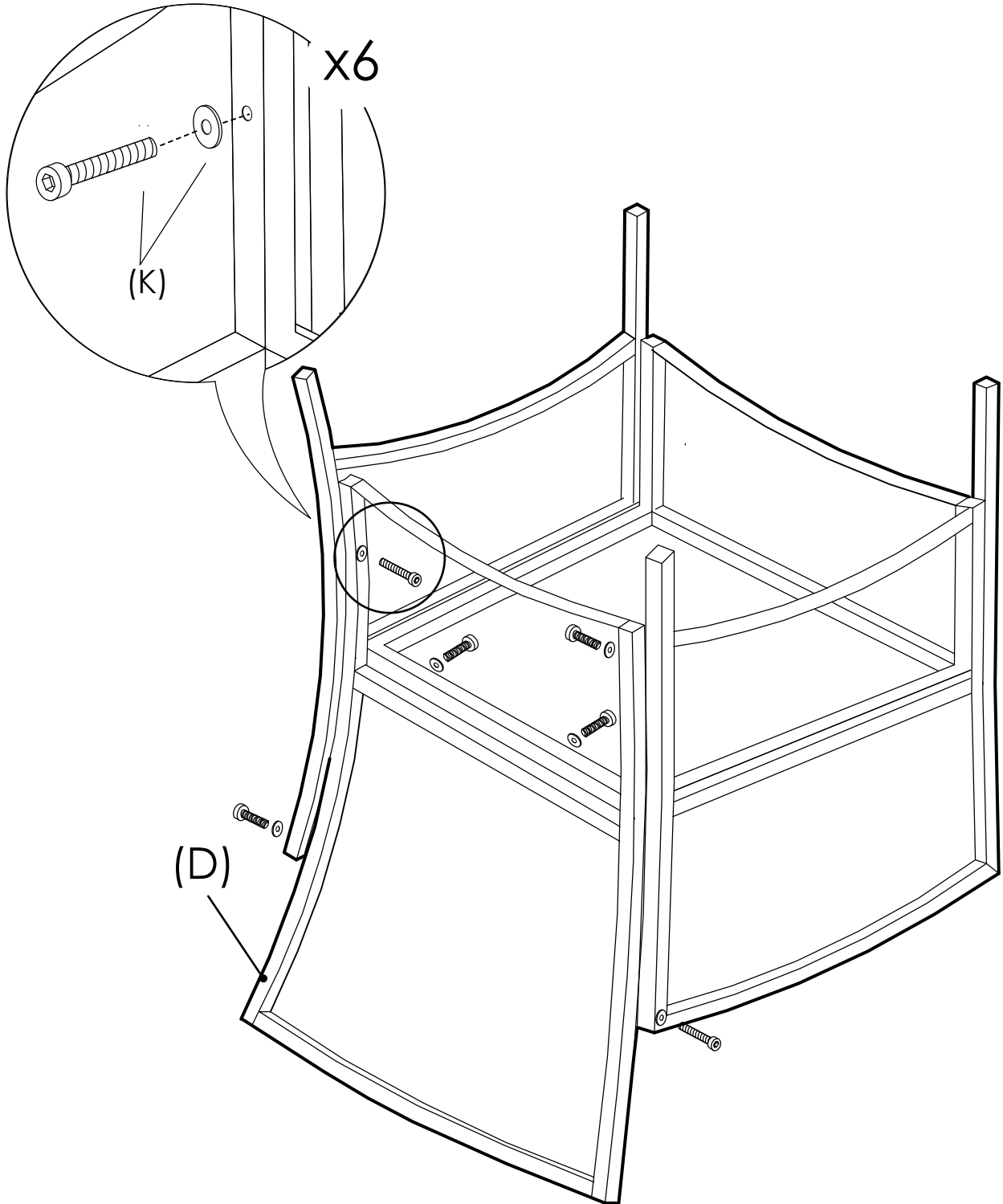
 (A)x1	 (B)x1	 (C)x1	 (K)x6
 (M)x1			



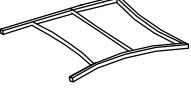
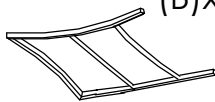
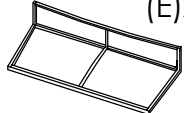
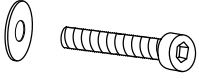

# 2.

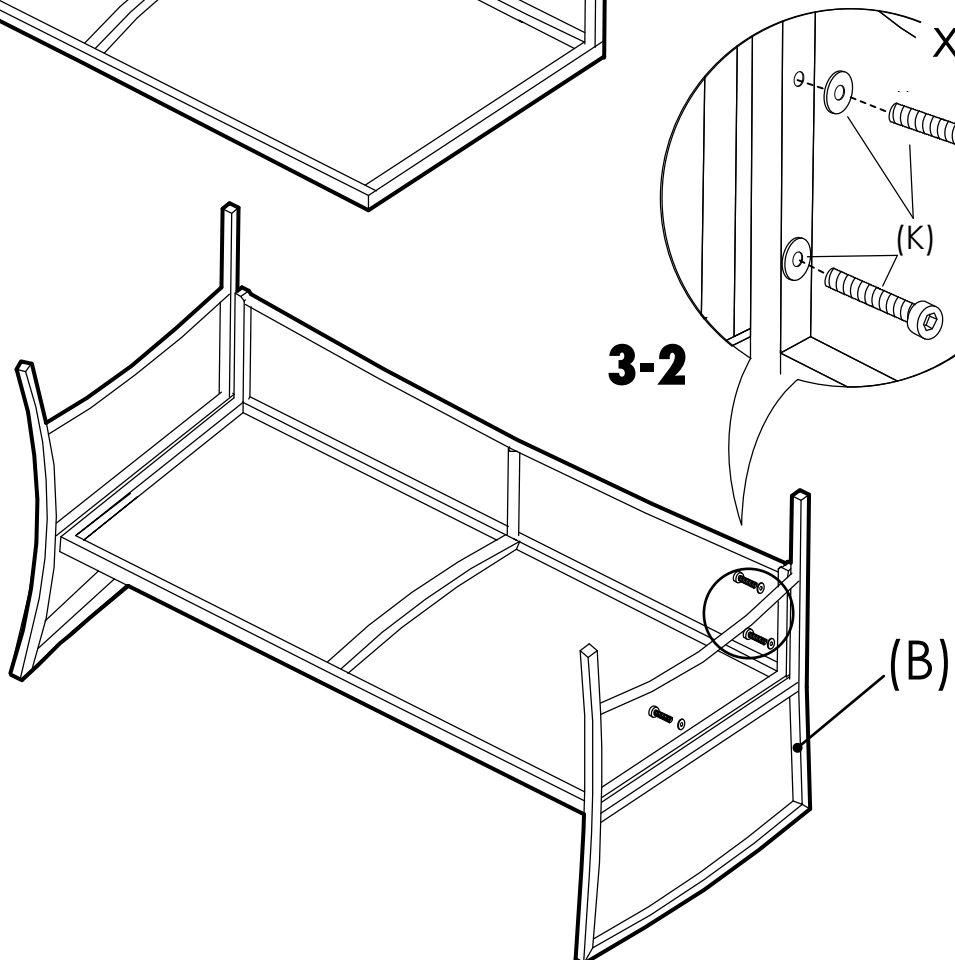
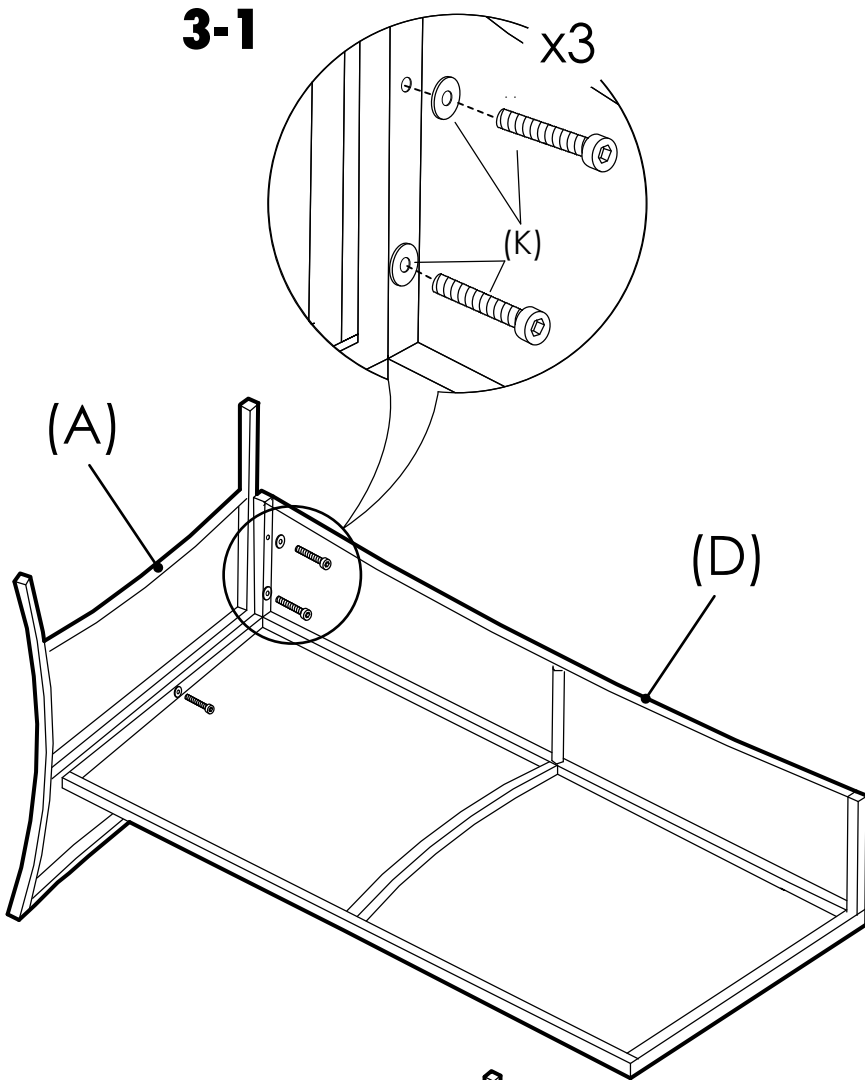


## 2-1

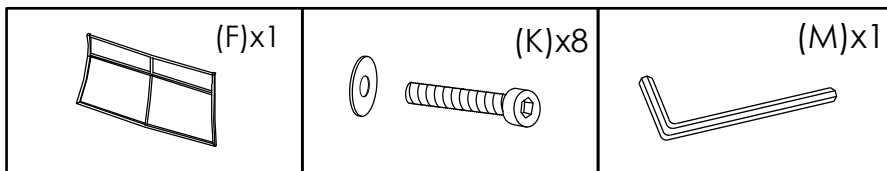


# 3.

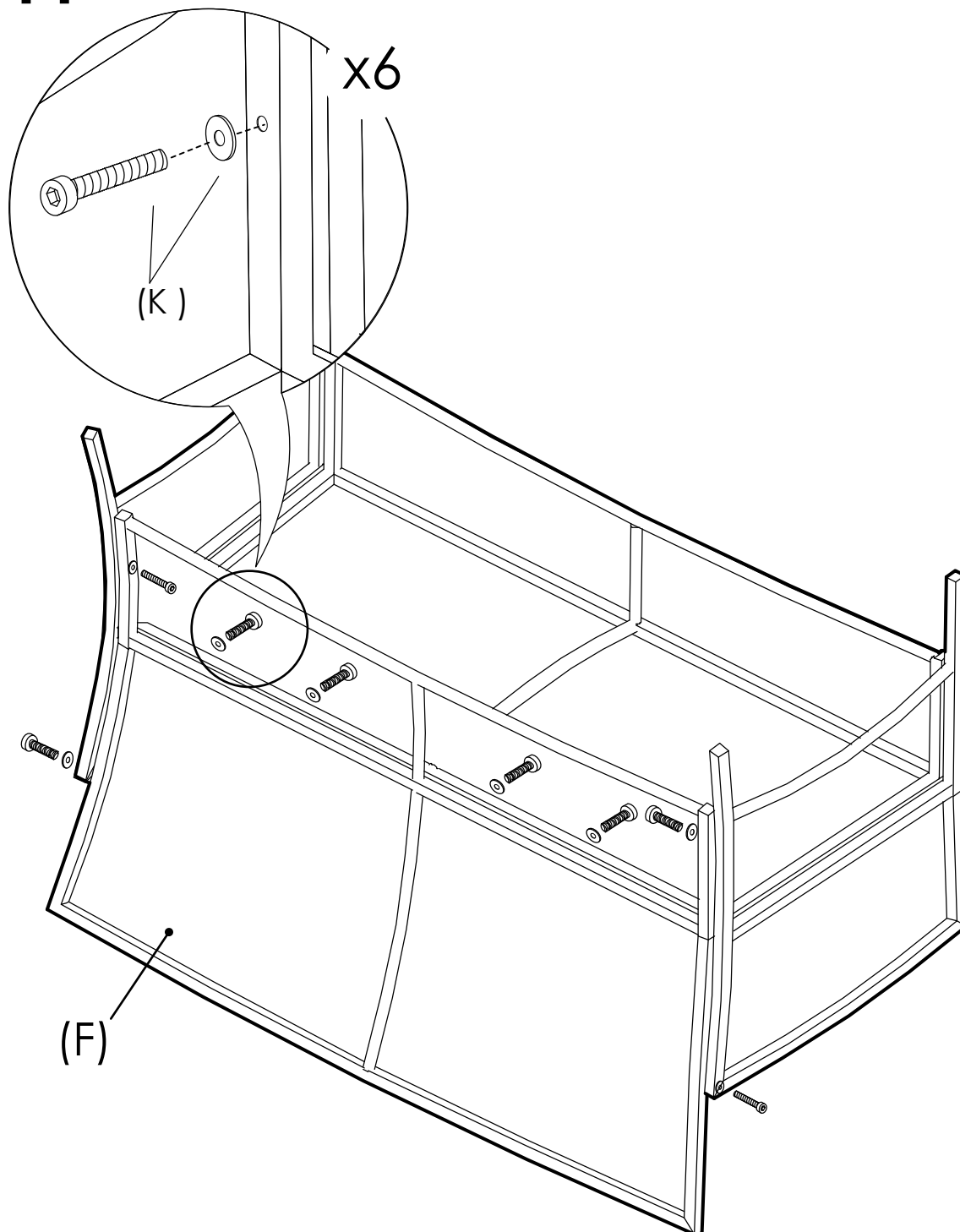
 (A)x1	 (B)x1	 (E)x1	 (K)x6
			 (M)x1



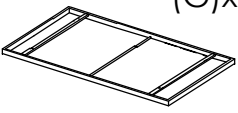

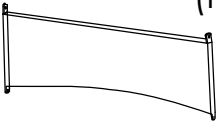
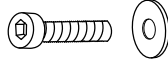

# 4.

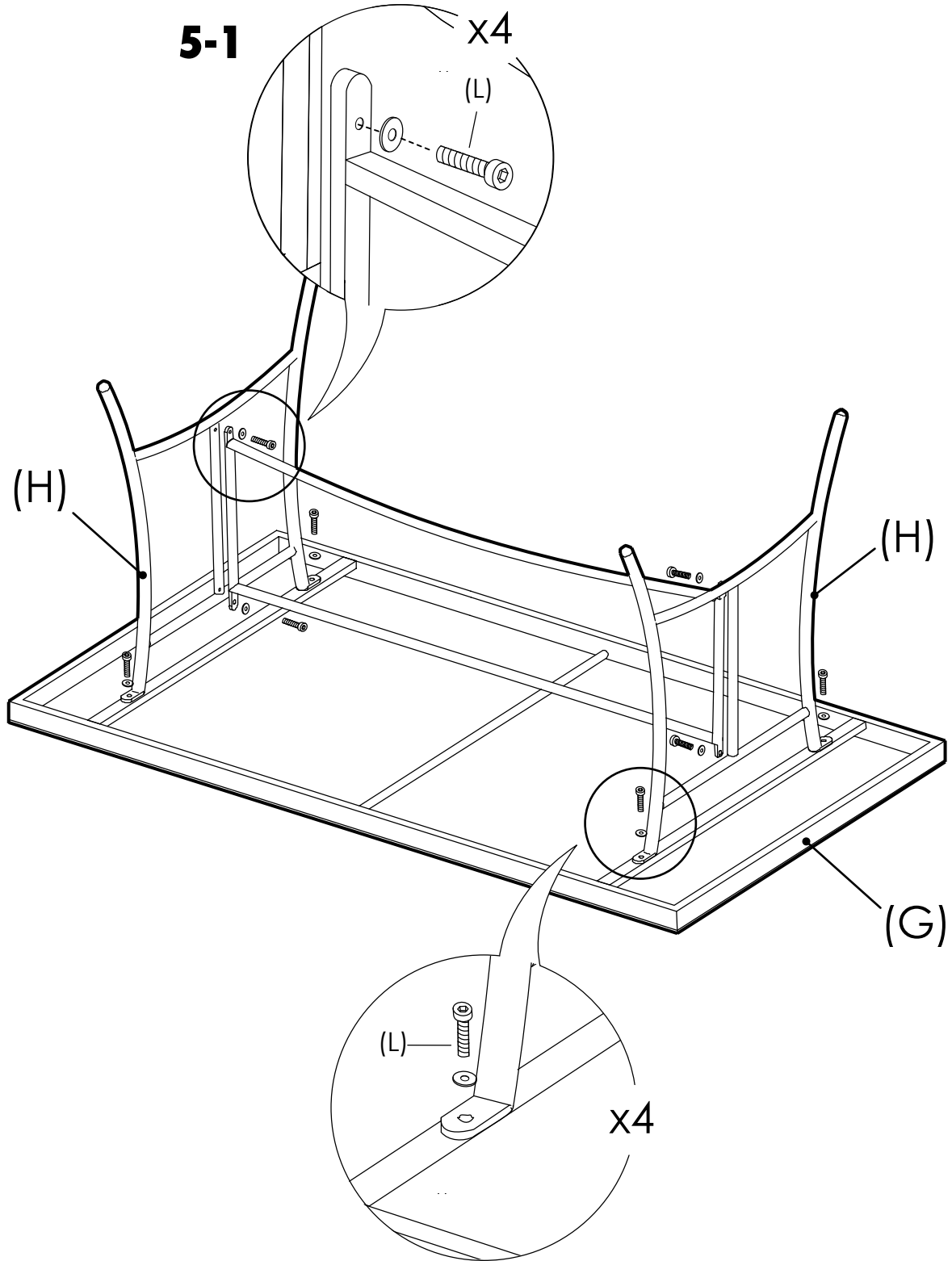


## 4-1



# 5.

 (G)x2	 (H)x2	 (I)x1	 (L)x8 M6x15
 (M)x1			



**6.**

