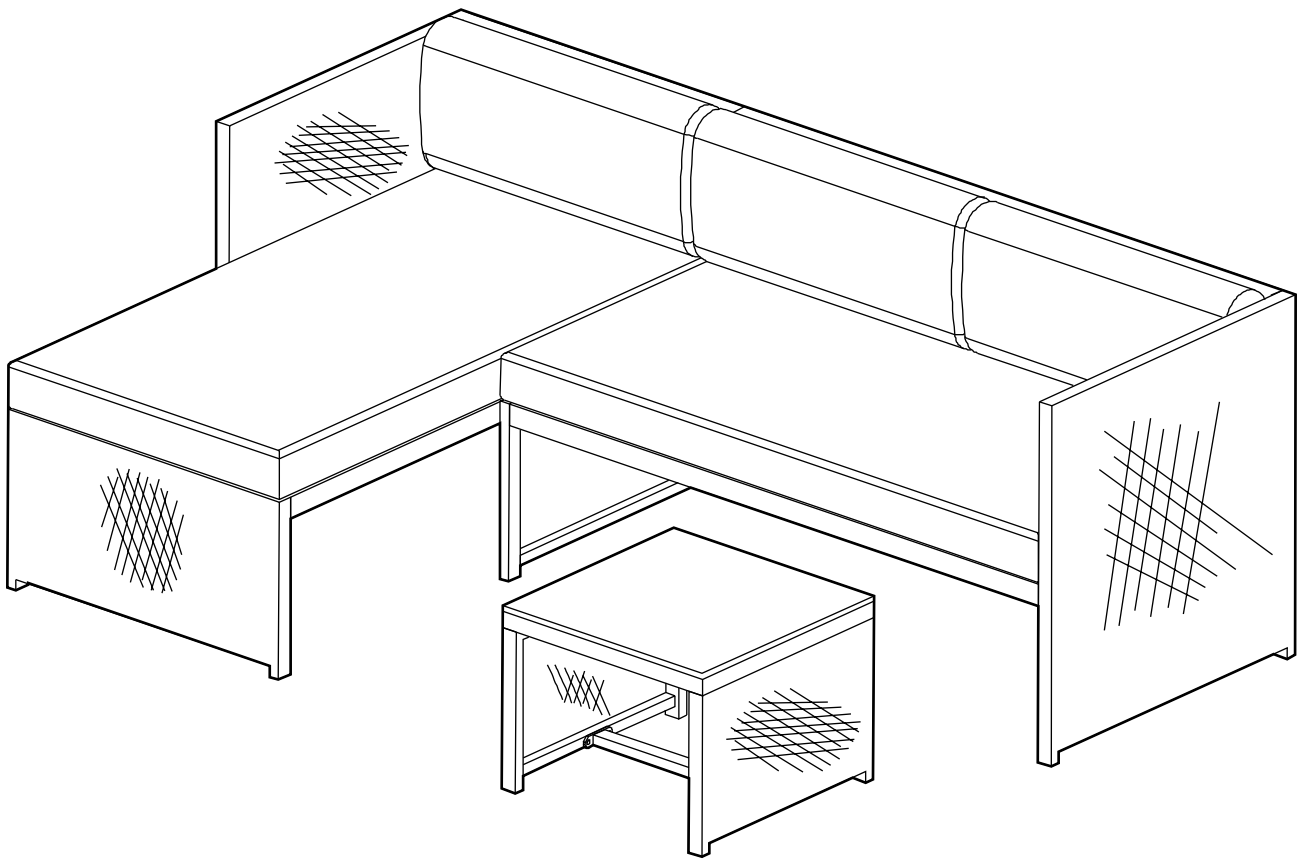
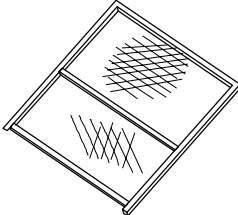
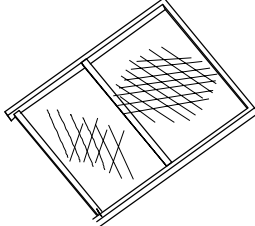
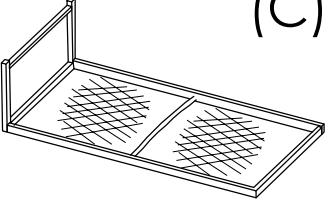
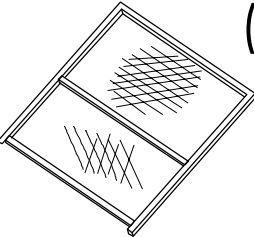
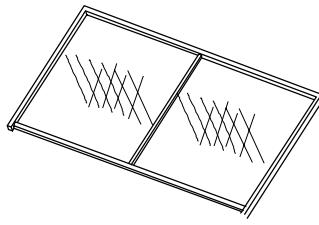
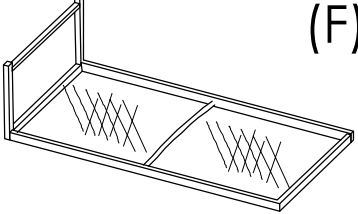
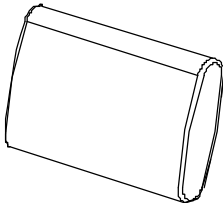
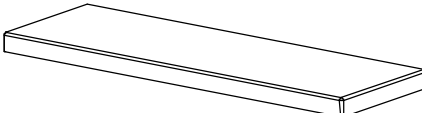
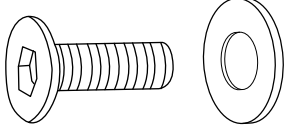
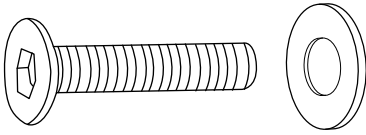
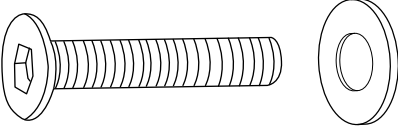
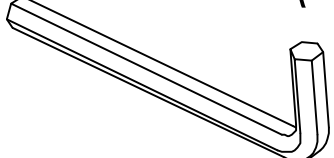
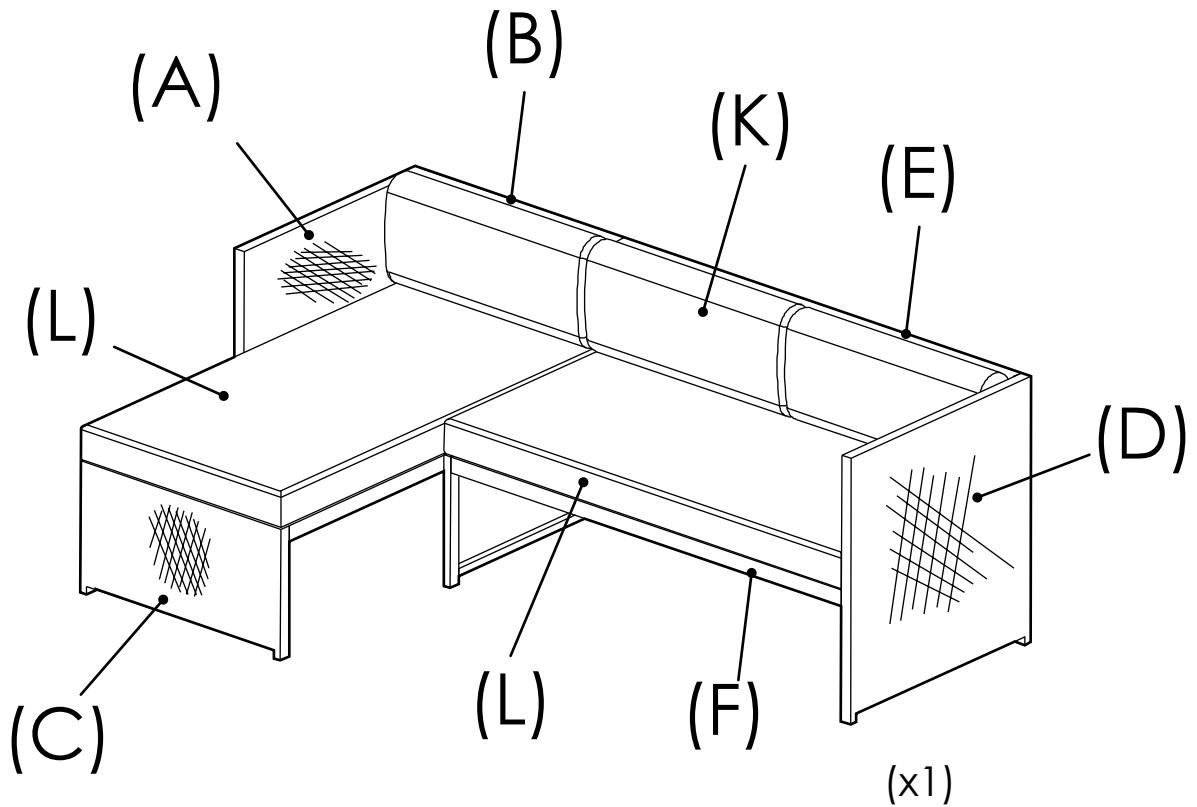


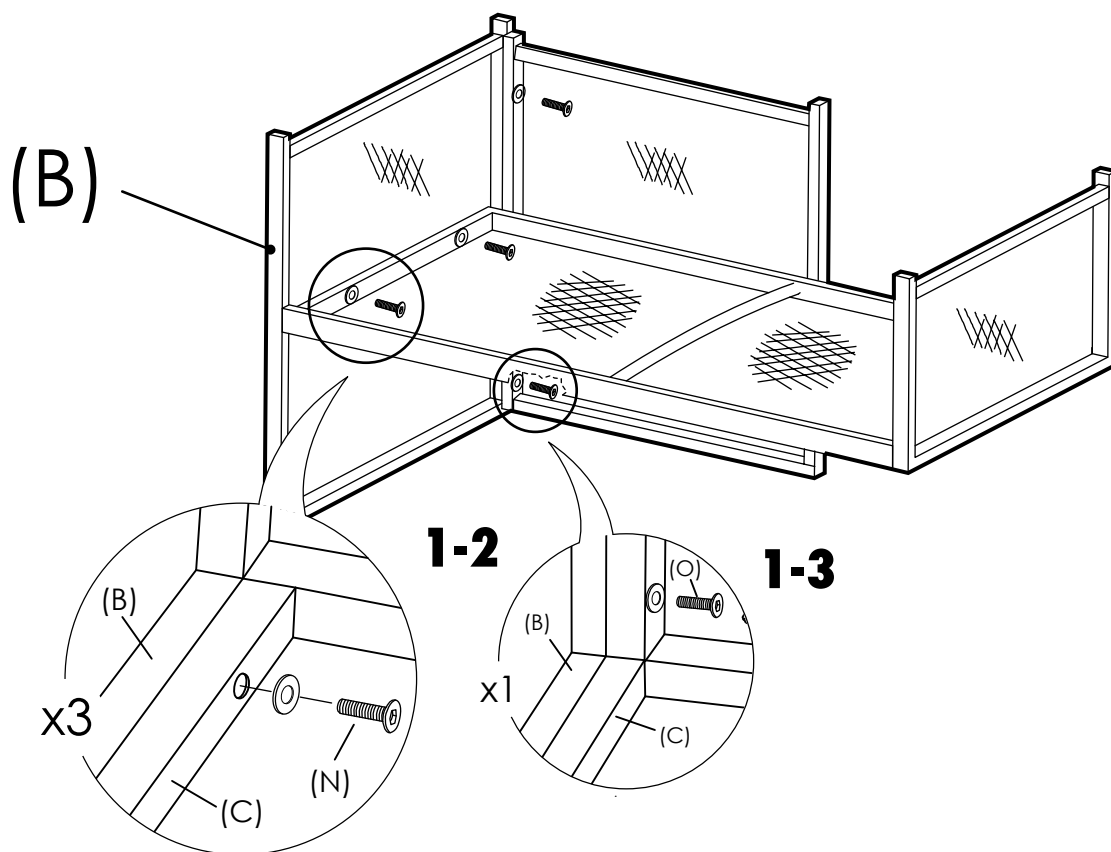
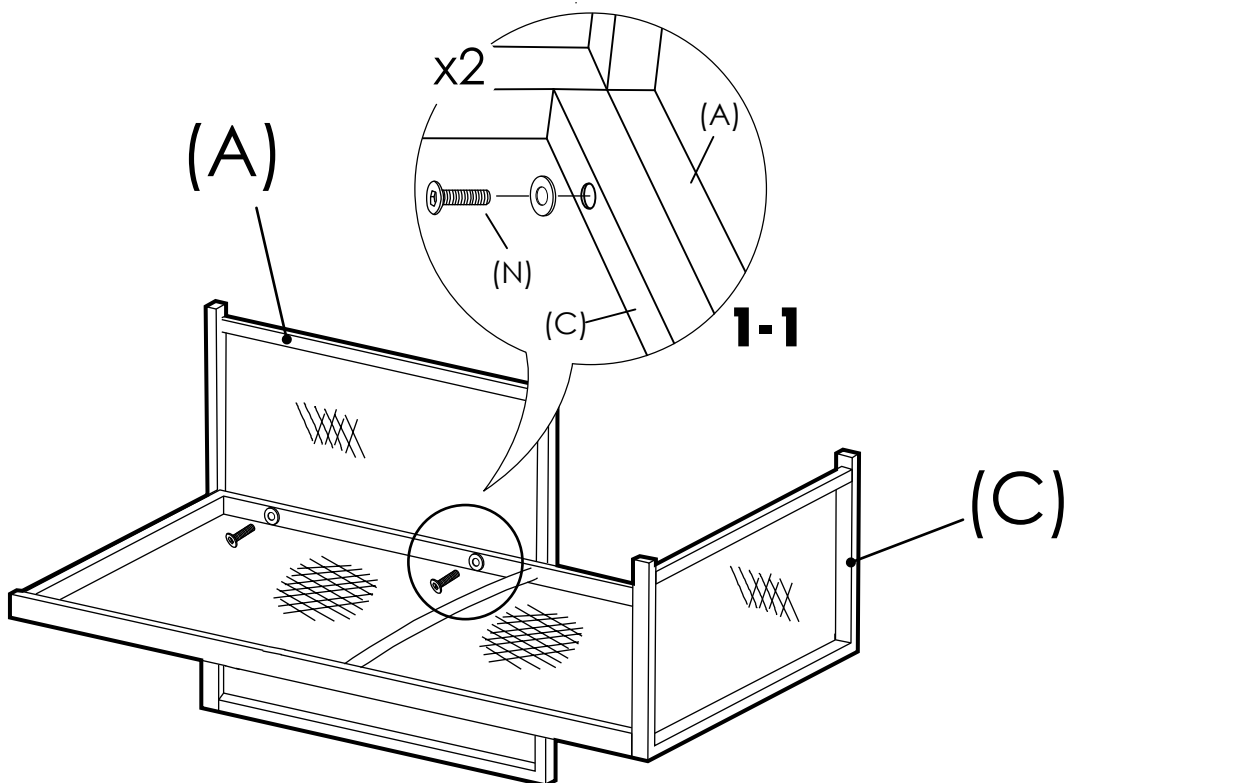
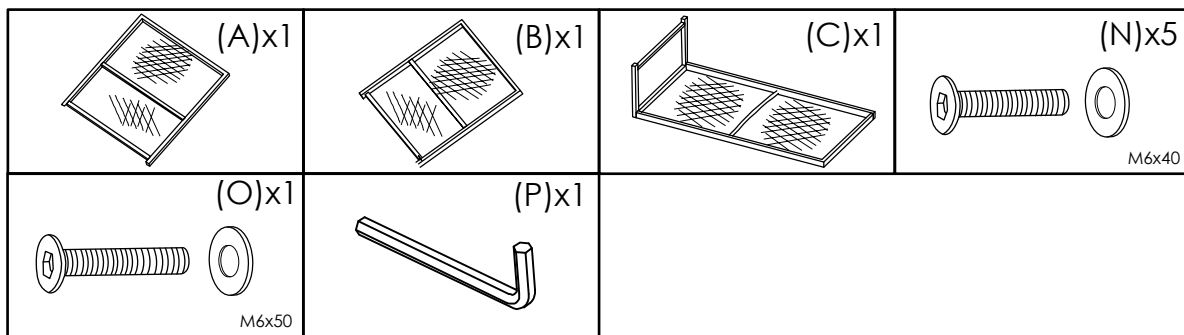
GRS



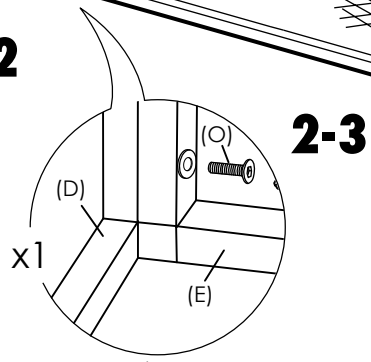
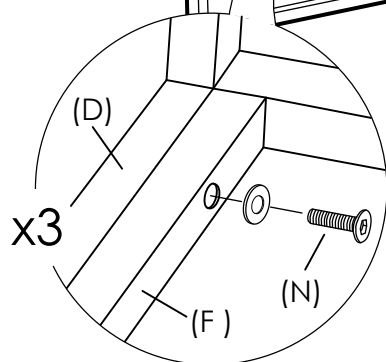
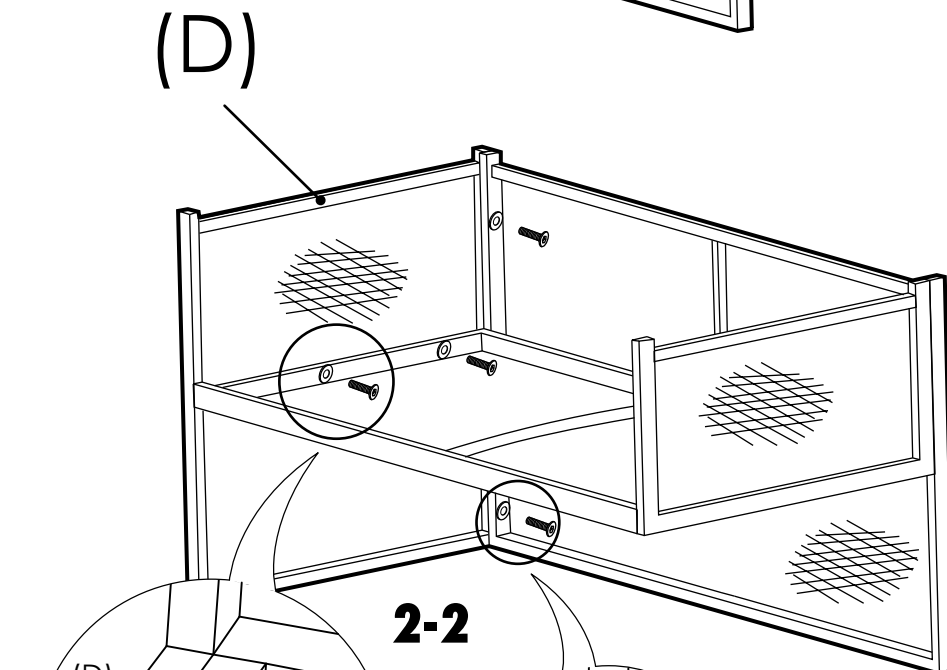
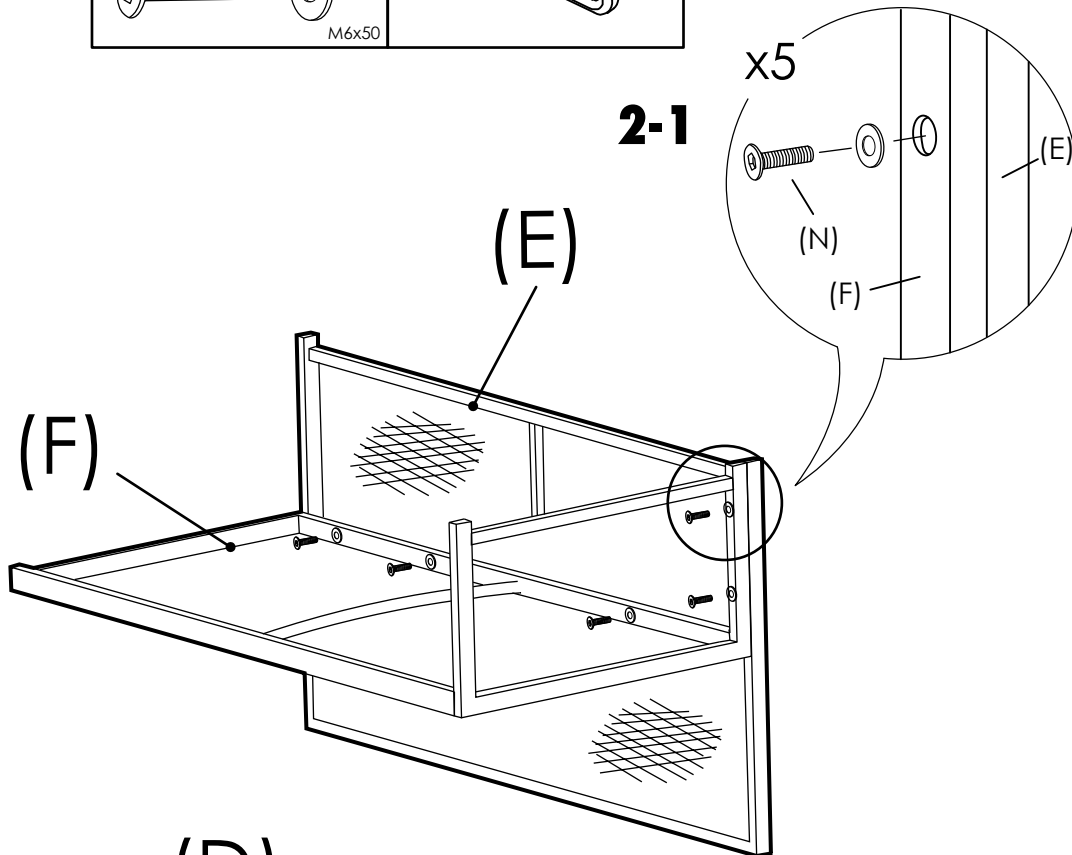
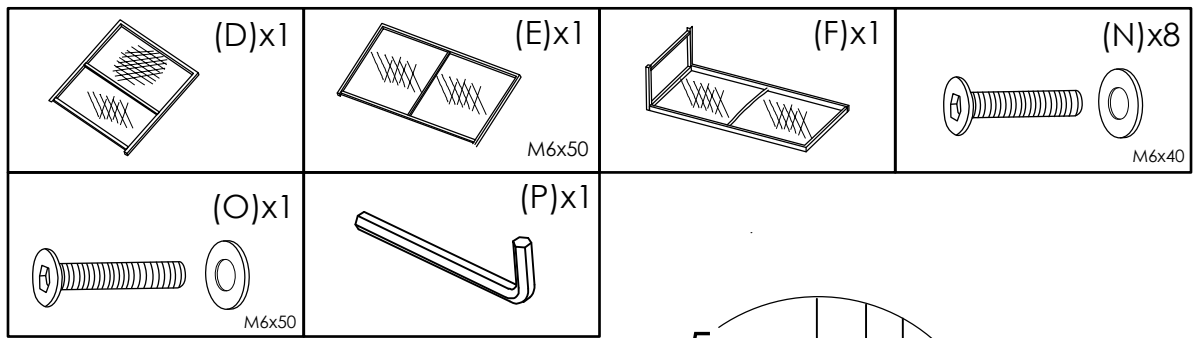
 <p>(A)x1</p>	 <p>(B)x1</p>	 <p>(C)x1</p>
 <p>(D)x1</p>	 <p>(E)x1</p>	 <p>(F)x1</p>
 <p>(K)x3</p>	 <p>(L)x2</p>	 <p>(M)x4 M6x15</p>
 <p>(N)x17 M6x40</p>	 <p>(O)x2 M6x50</p>	 <p>(P)x1</p>

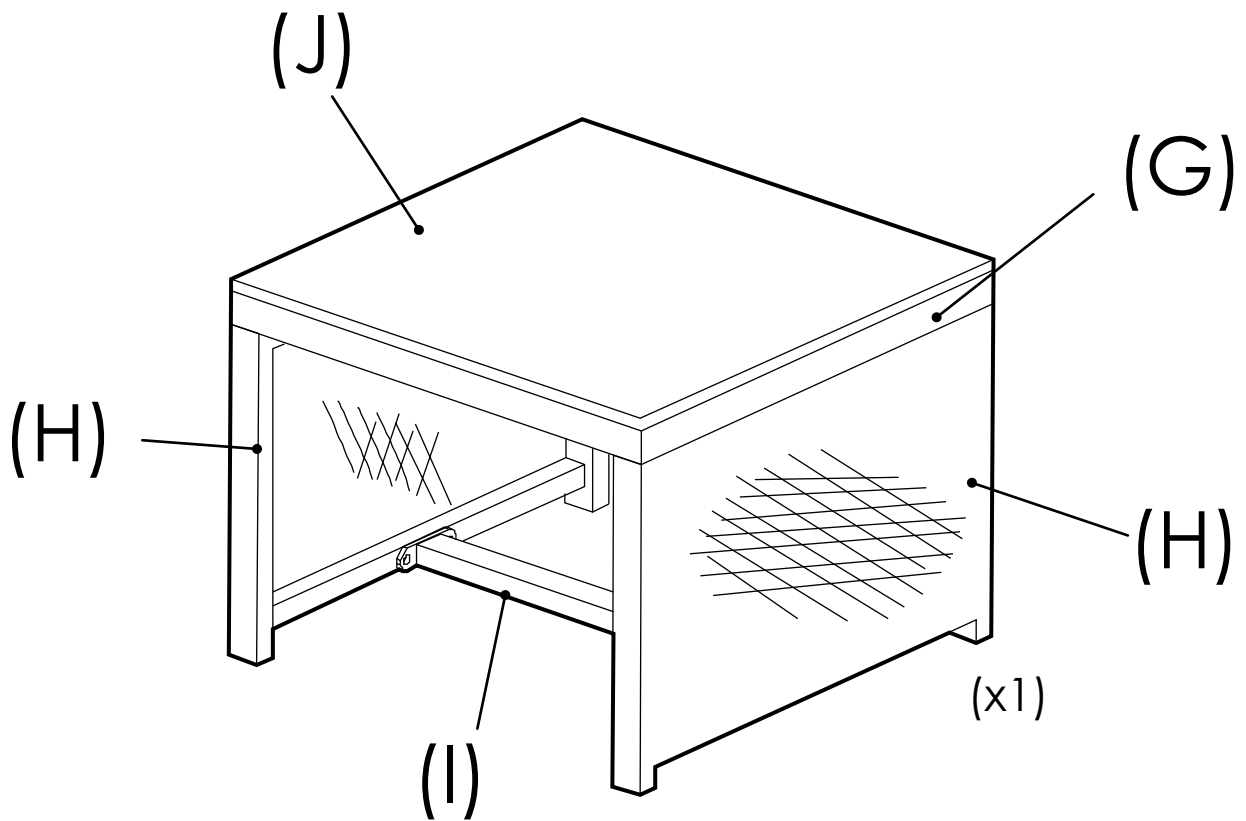
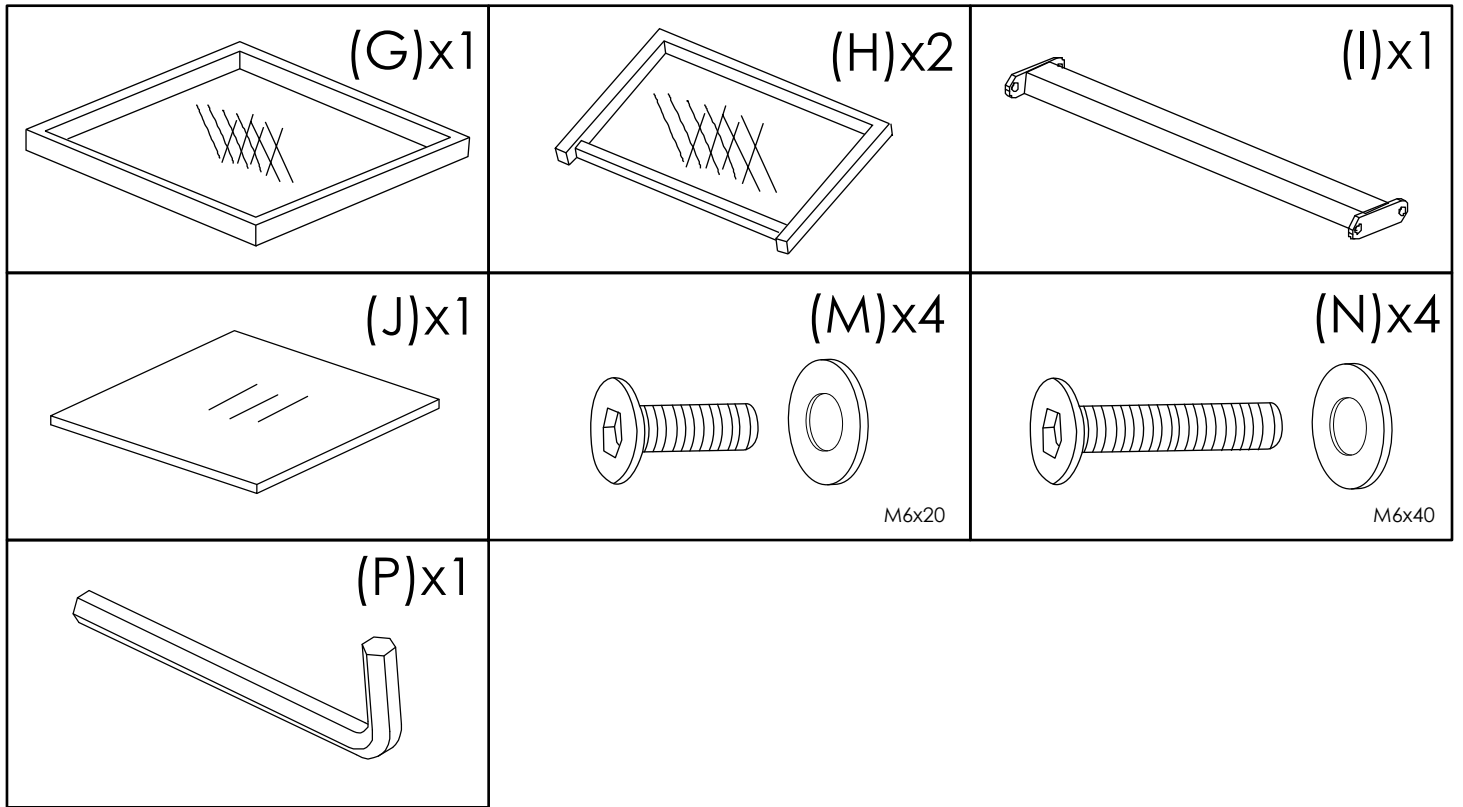


1.

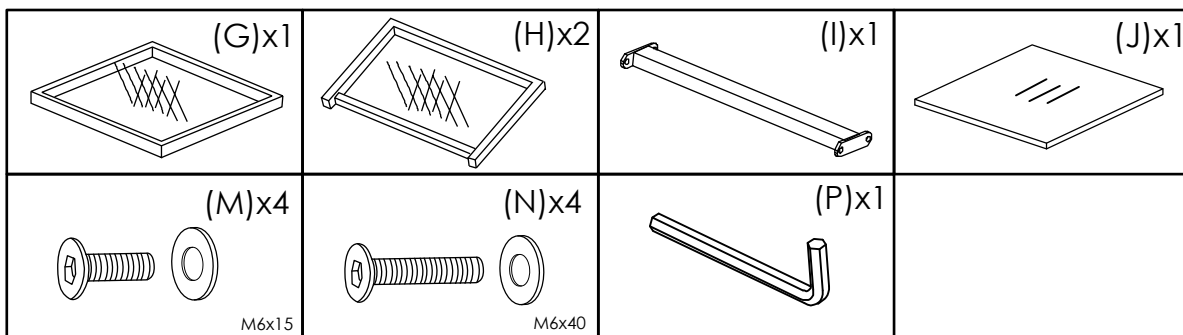


2.

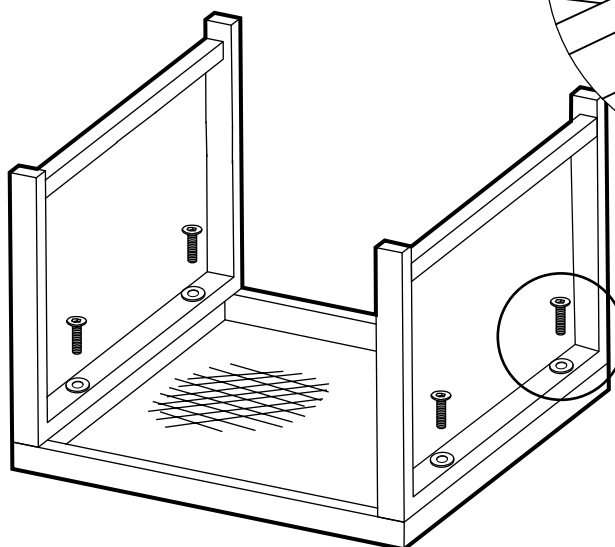
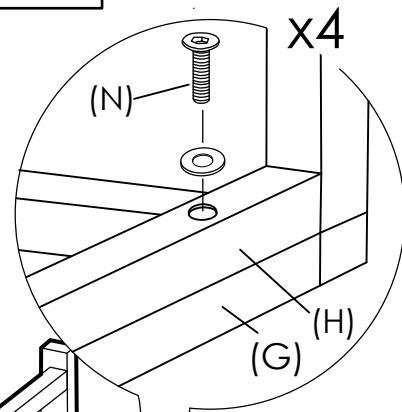




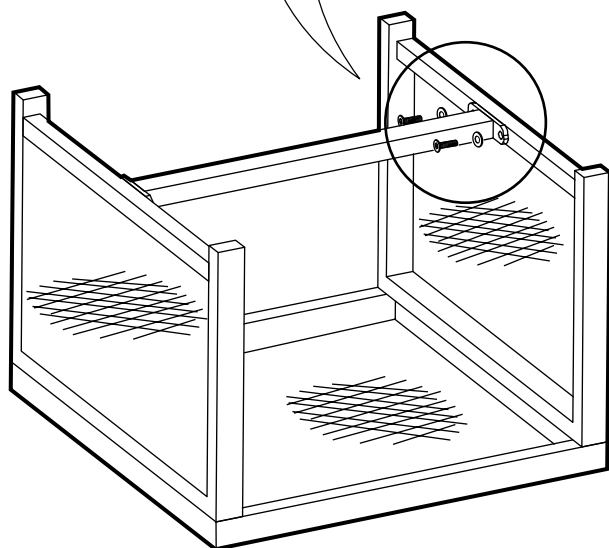
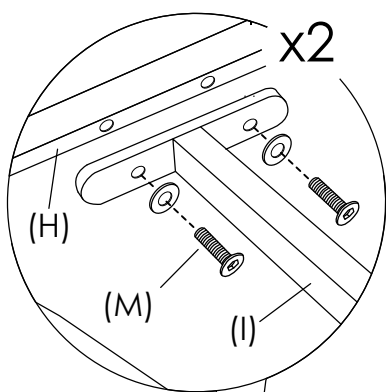
1.



1-1



1-2



1-3

