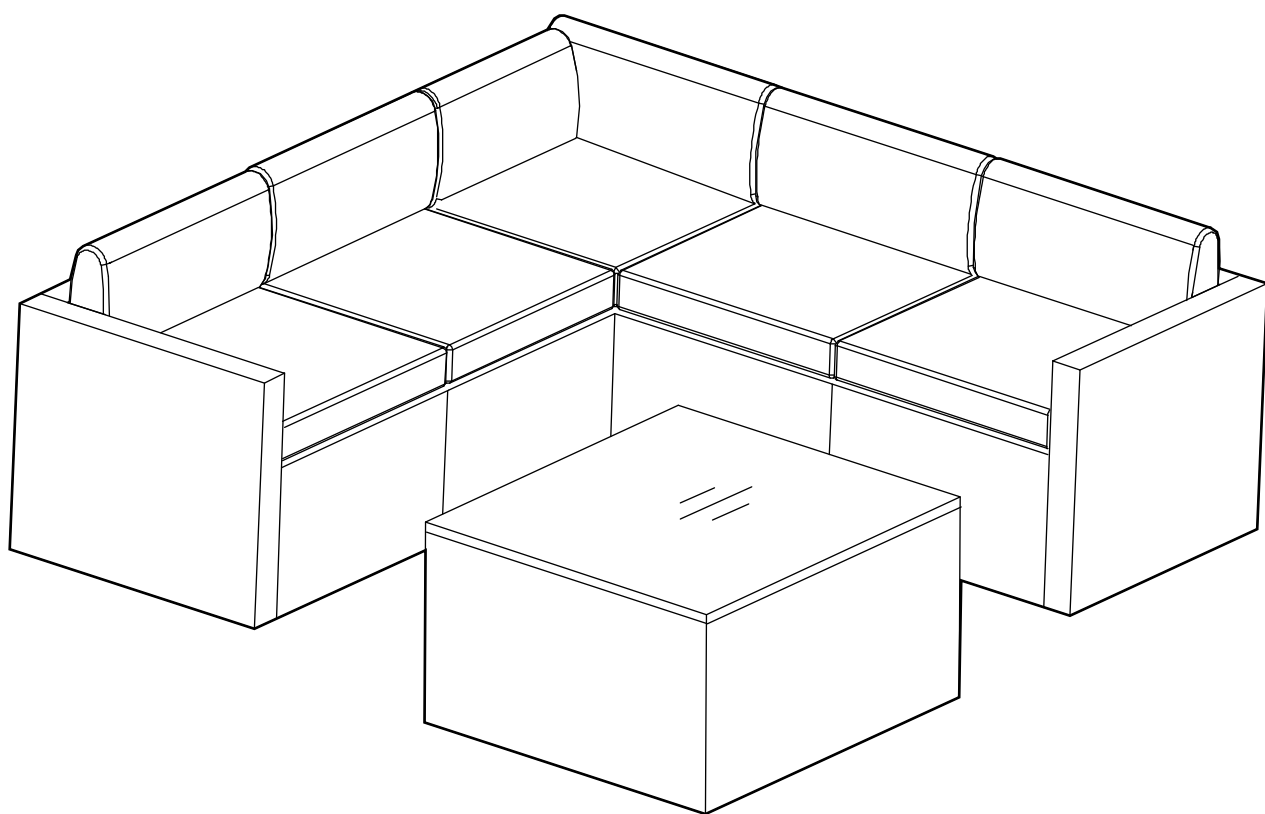
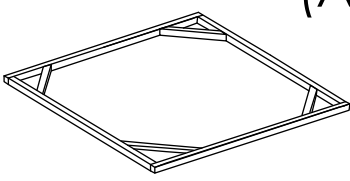
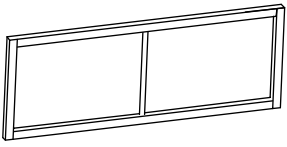
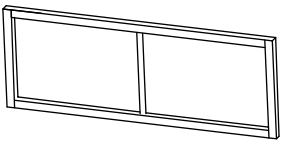
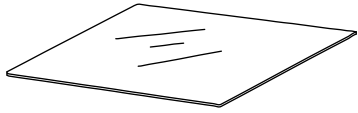
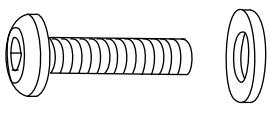
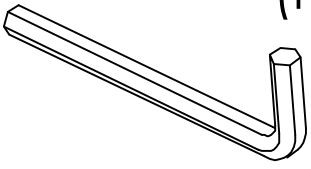
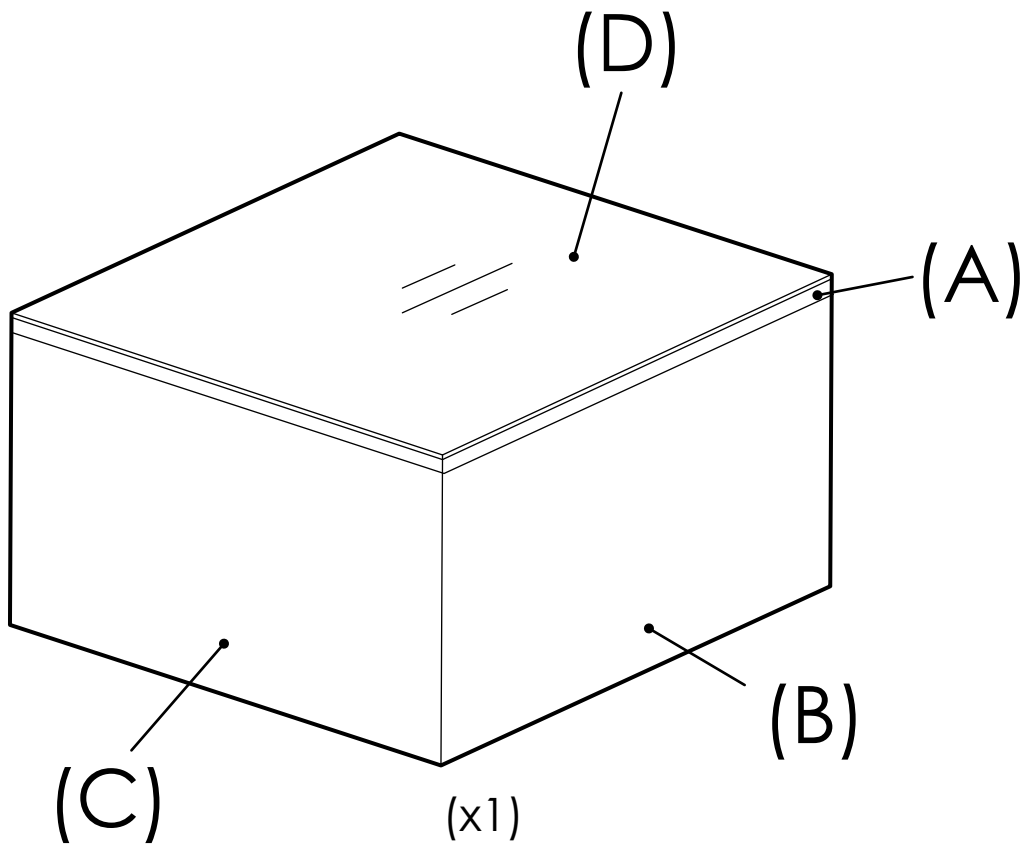


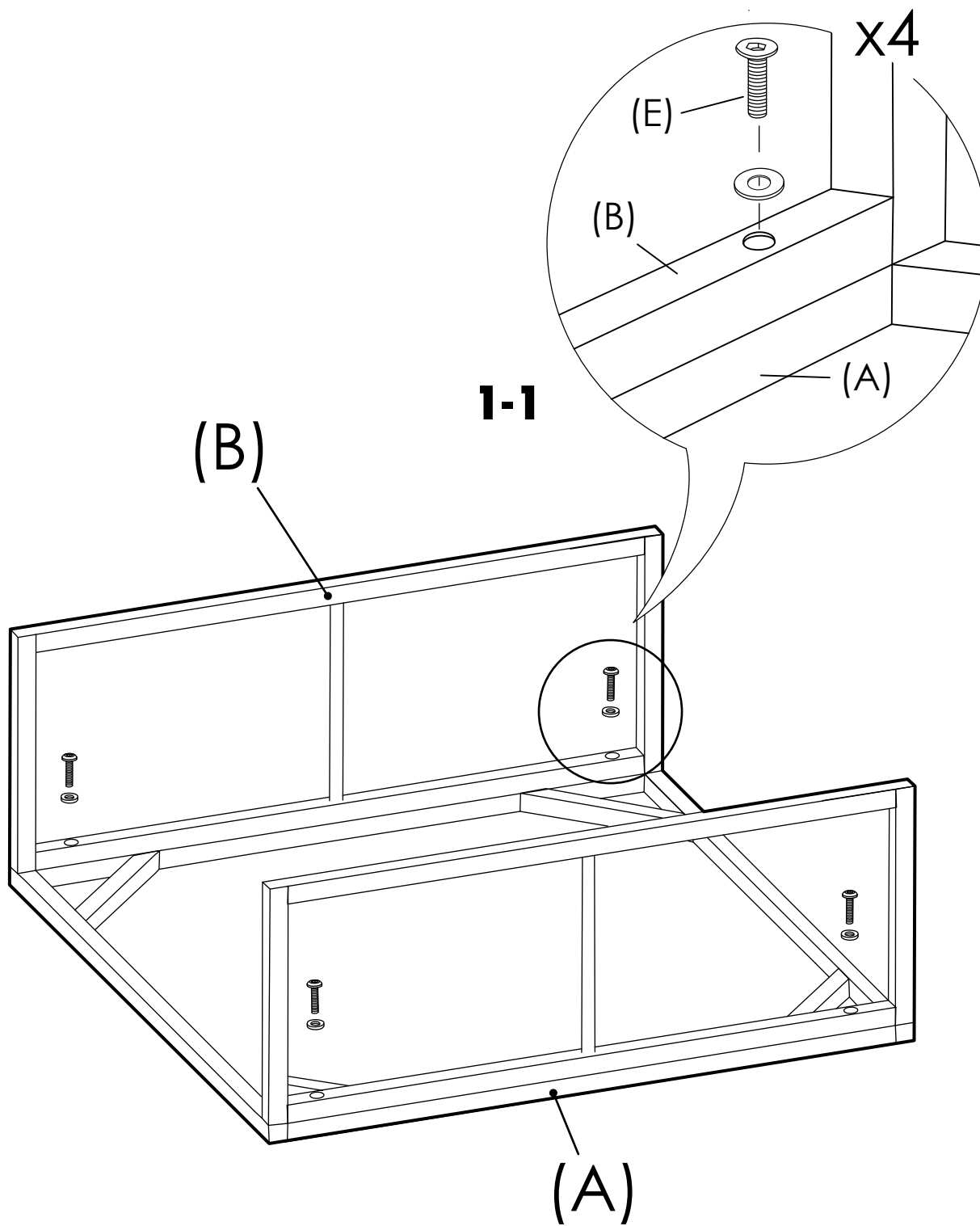
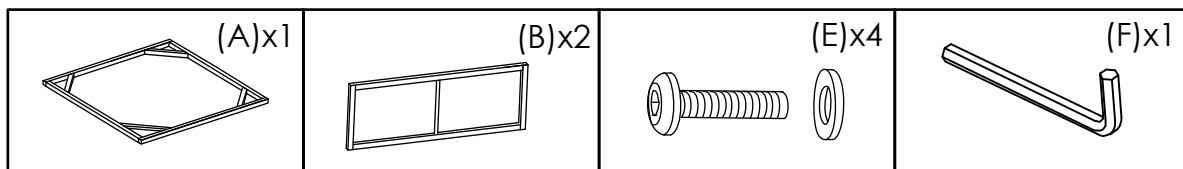
GRS



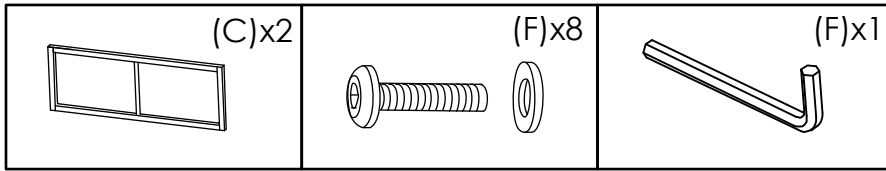
 <p>(A)x1</p>	 <p>(B)x2</p>	 <p>(C)x2</p>
 <p>(D)x1</p>	 <p>(E)x12</p>	 <p>(F)x1</p>



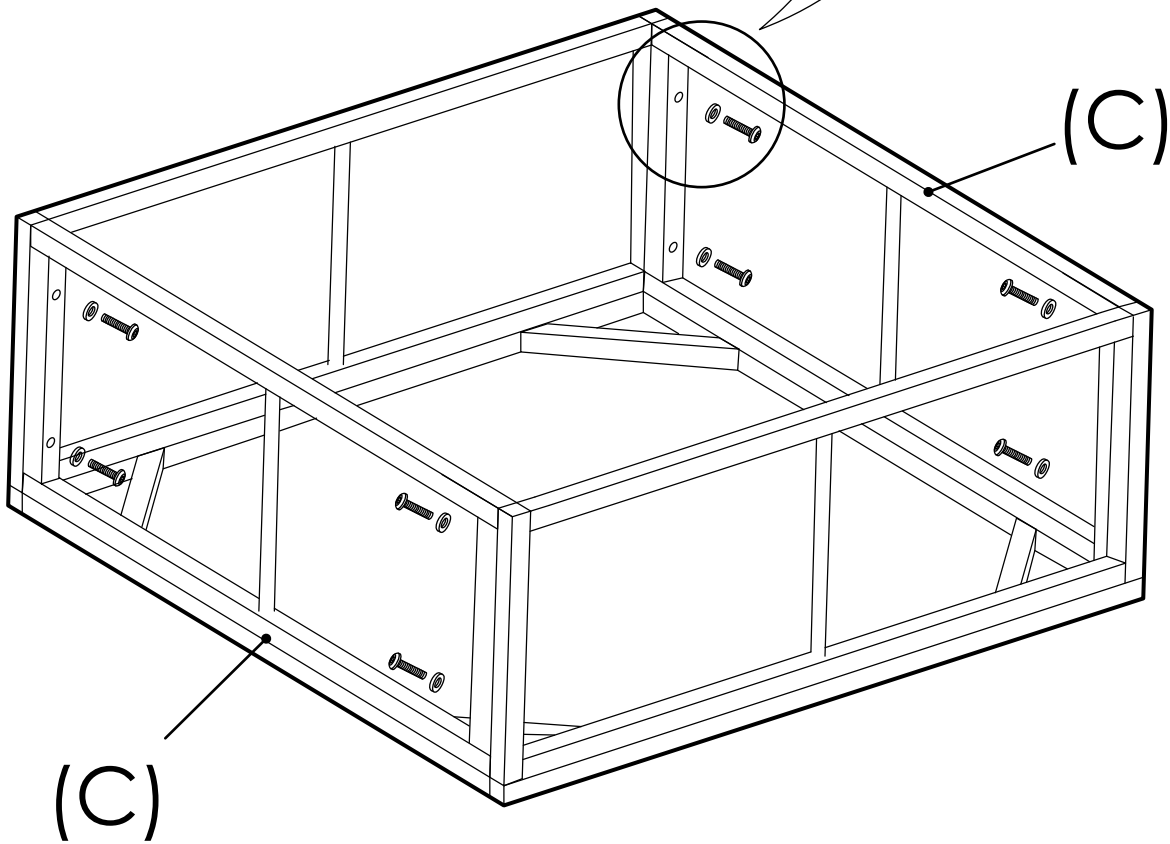
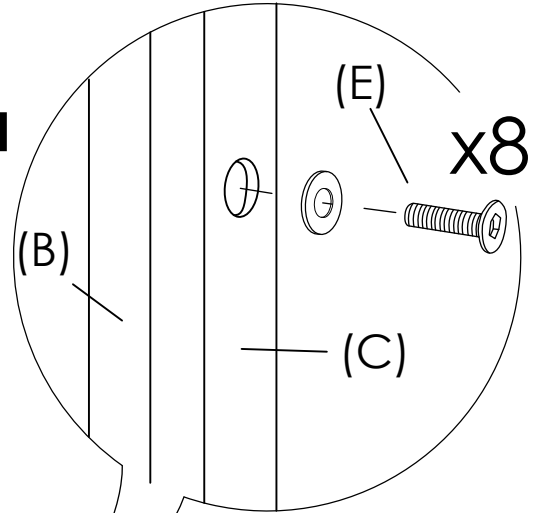
1.



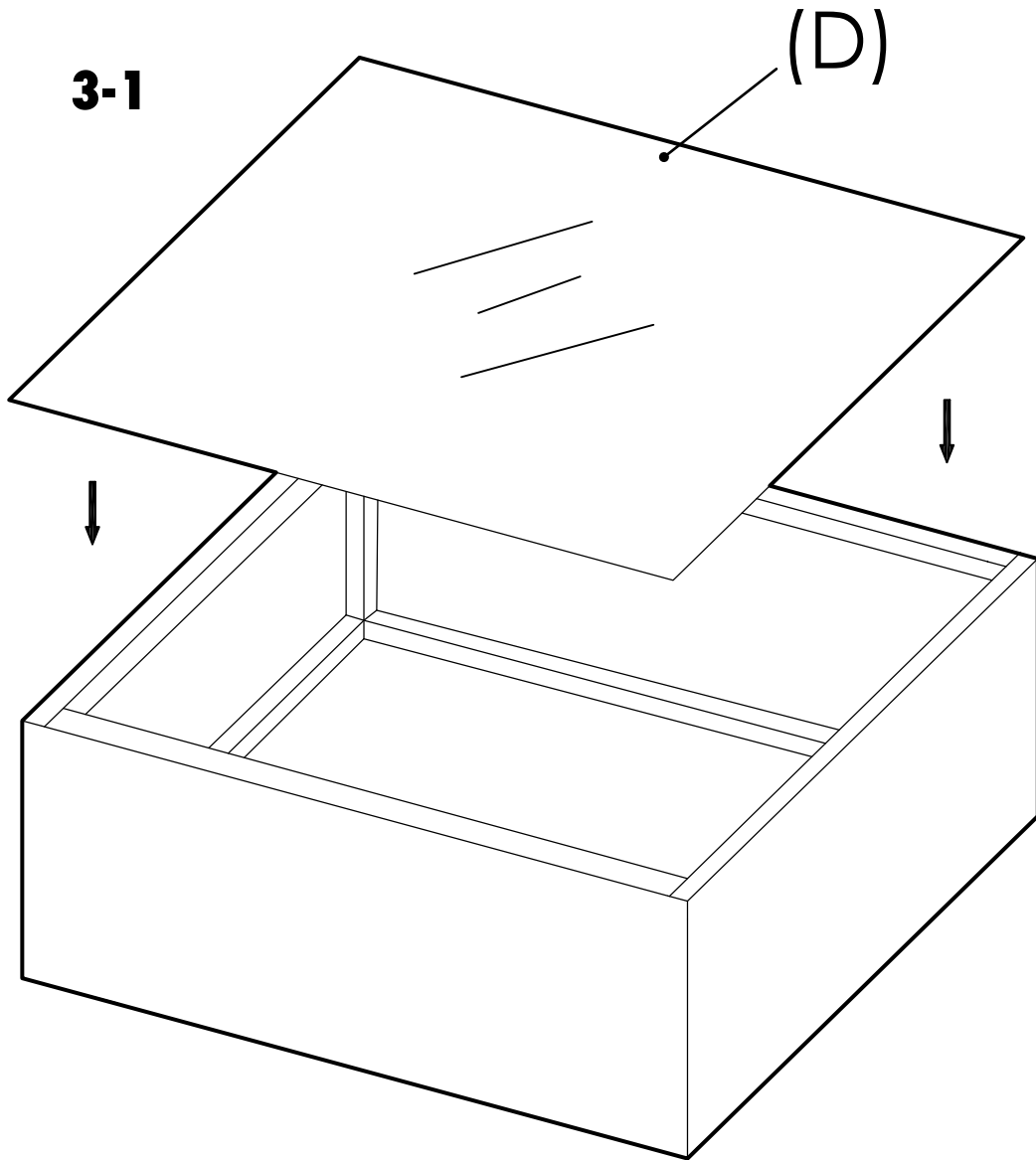
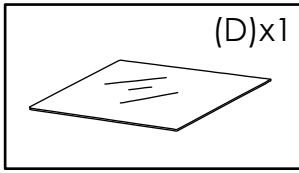
2.

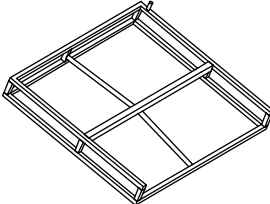
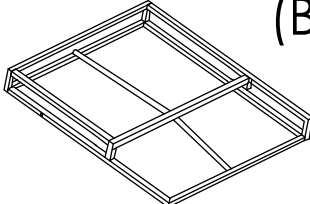
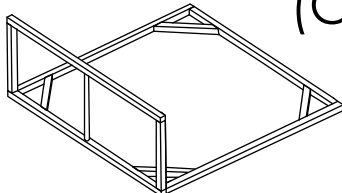
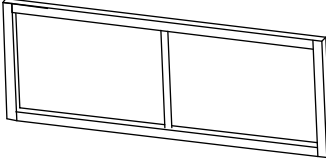
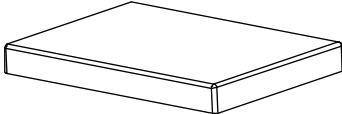
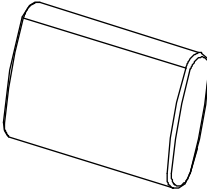
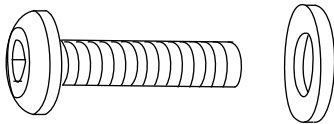
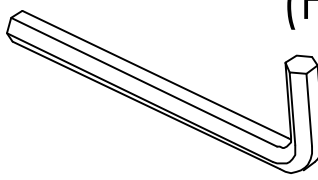


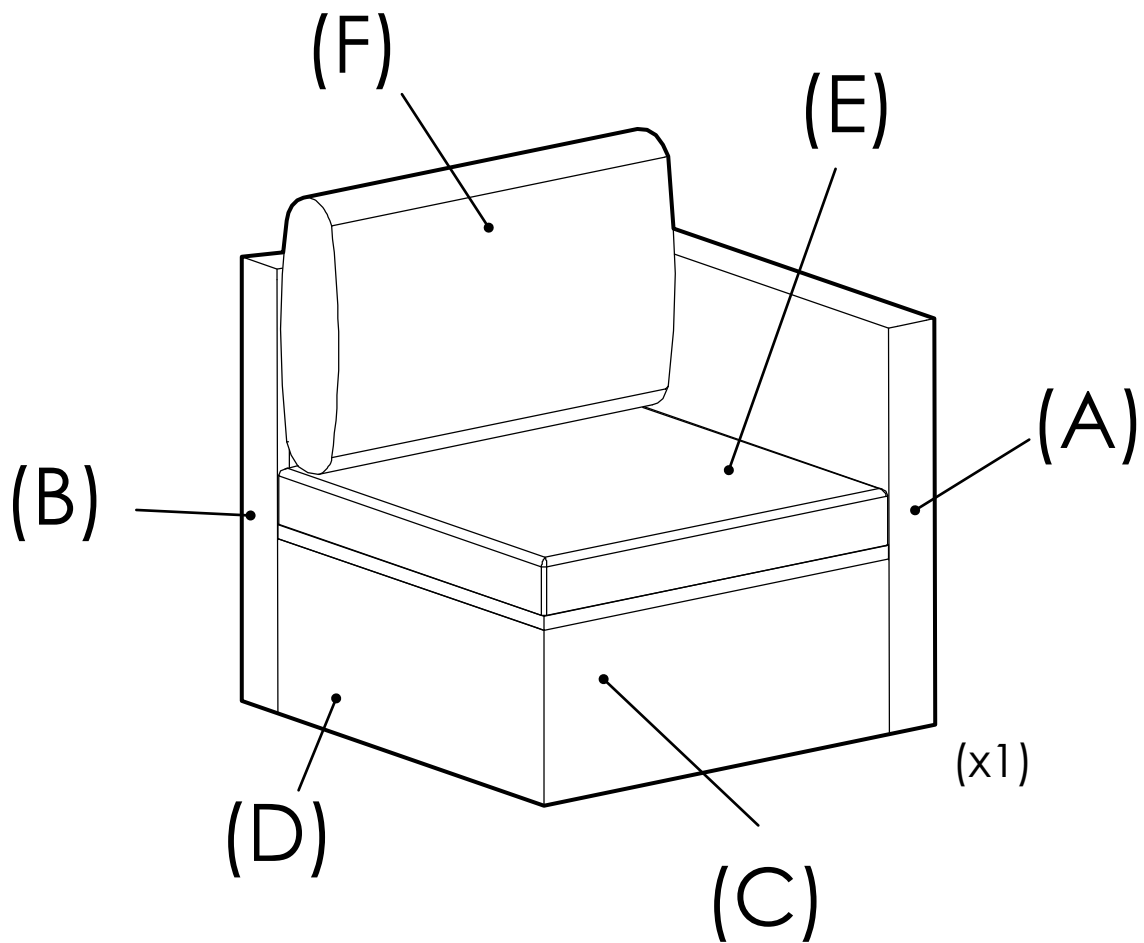
2-1



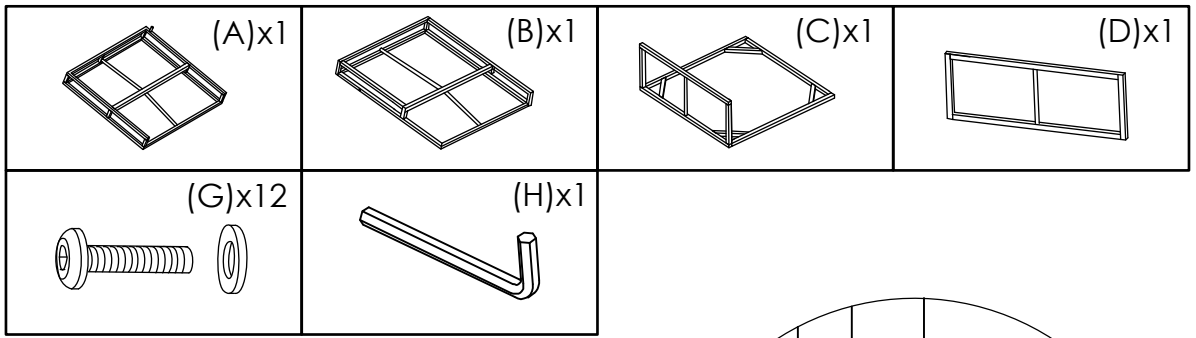
3.



 <p>(A)x1</p>	 <p>(B)x1</p>	 <p>(C)x1</p>
 <p>(D)x1</p>	 <p>(E)x1</p>	 <p>(F)x1</p> <p>M6x40</p>
 <p>(G)x12</p>	 <p>(H)x1</p>	

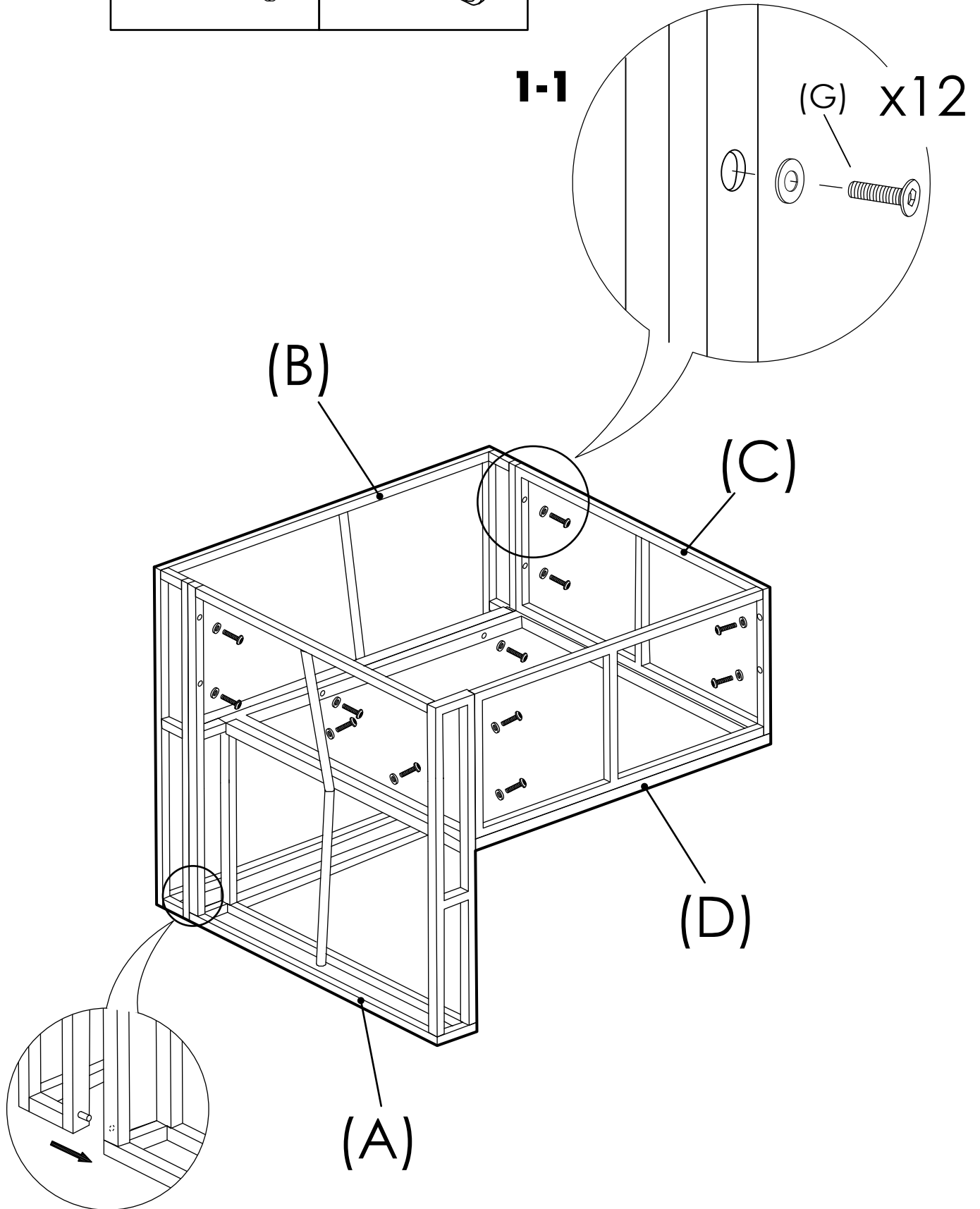


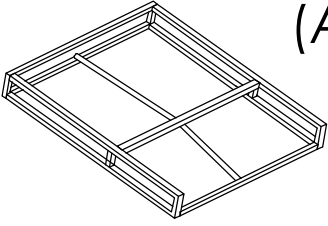
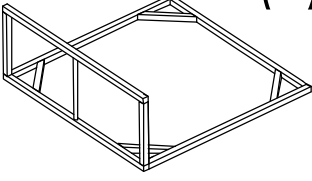
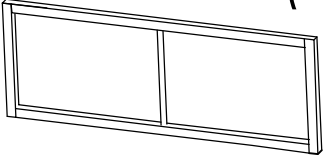
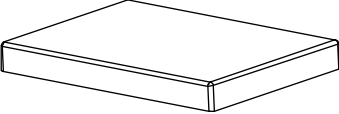
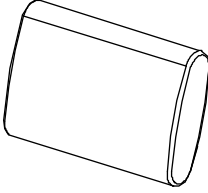
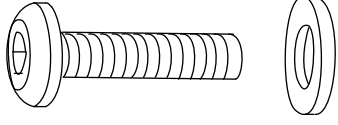
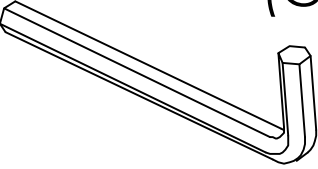
1.

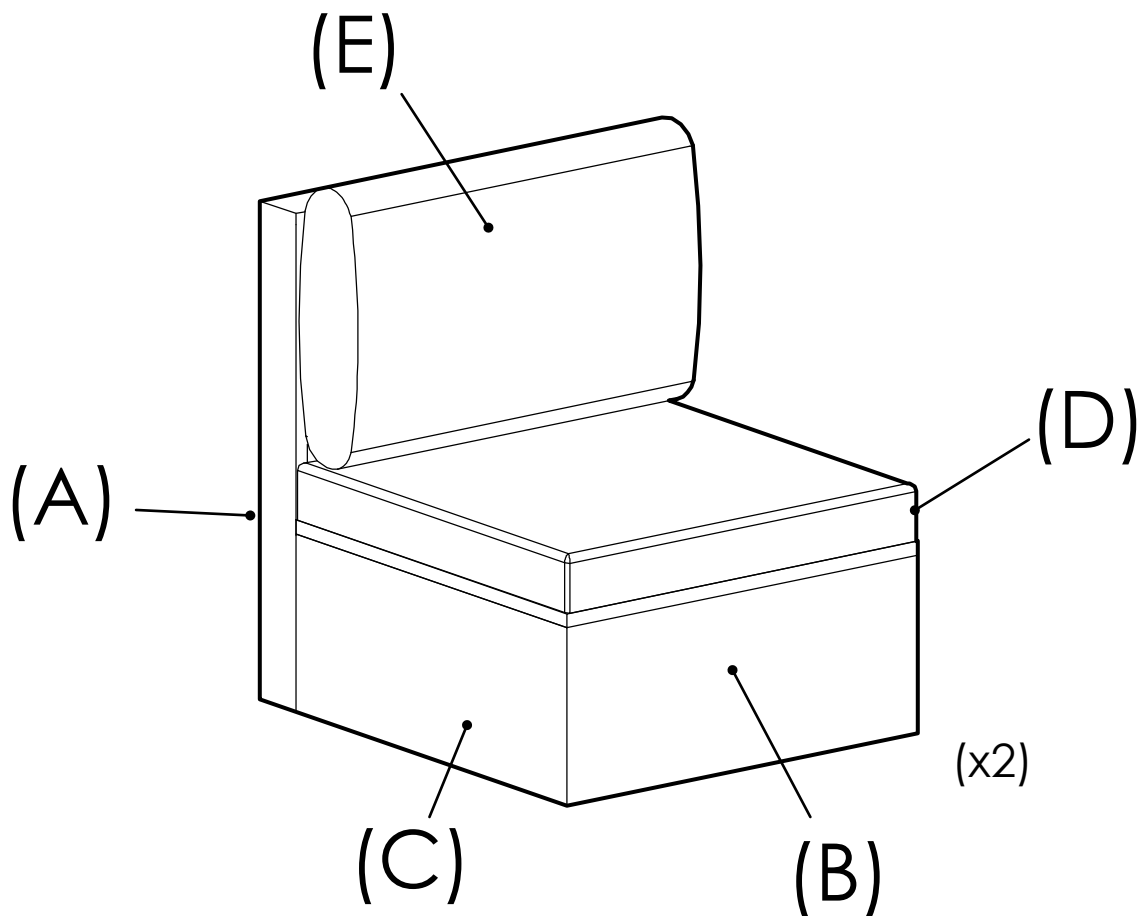


1-1

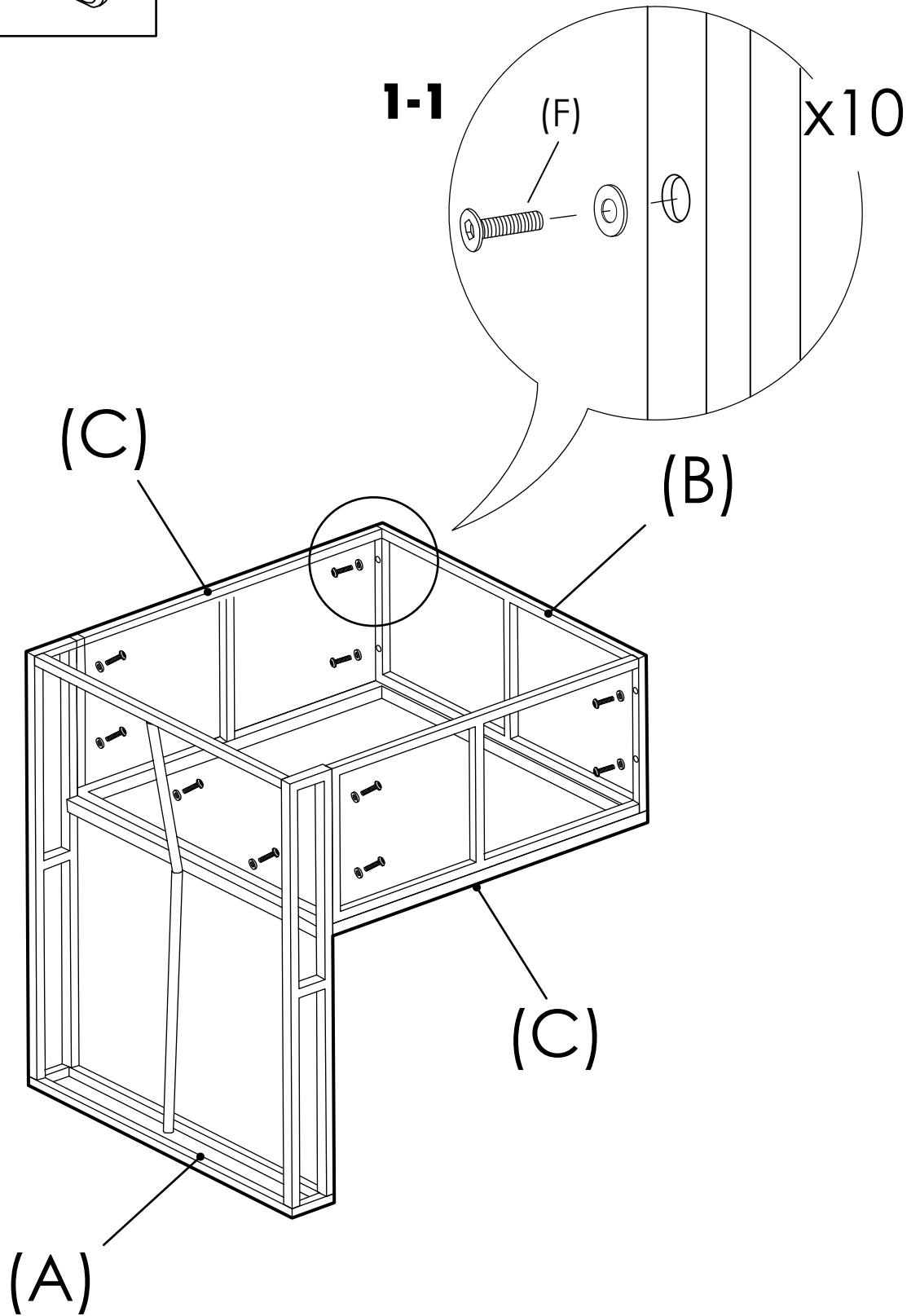
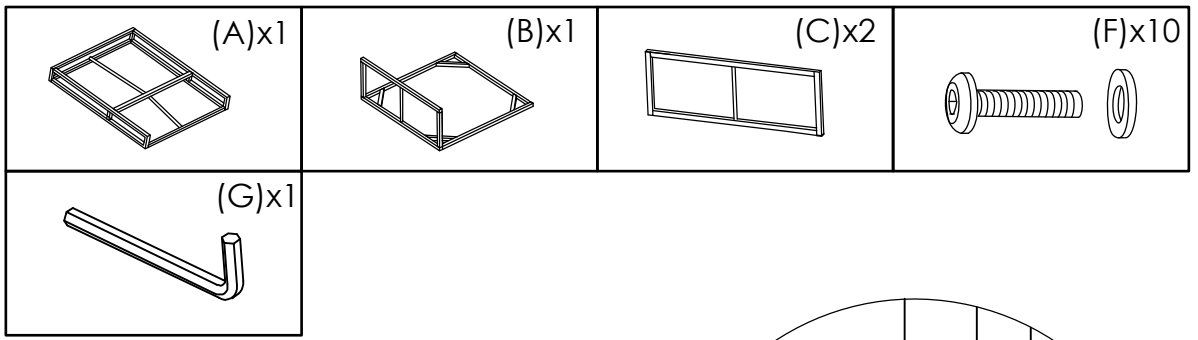
(G) x12

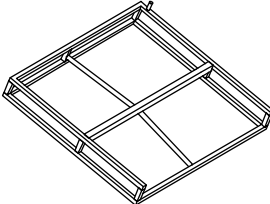
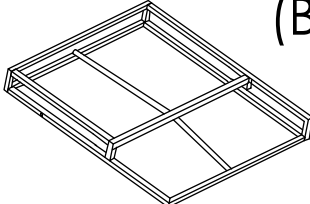
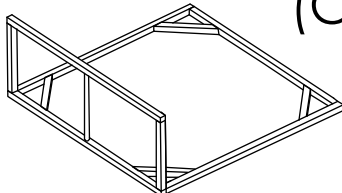
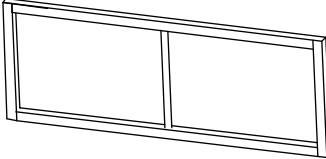
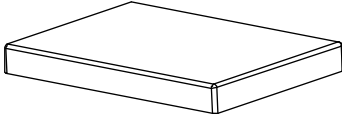
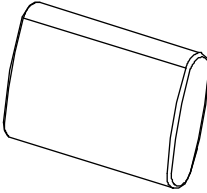
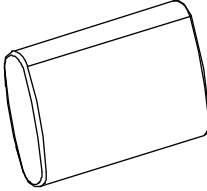
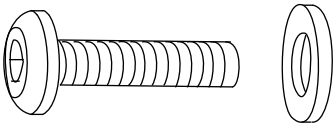
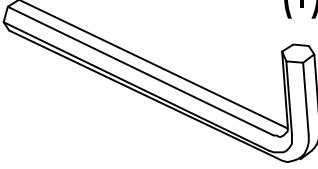


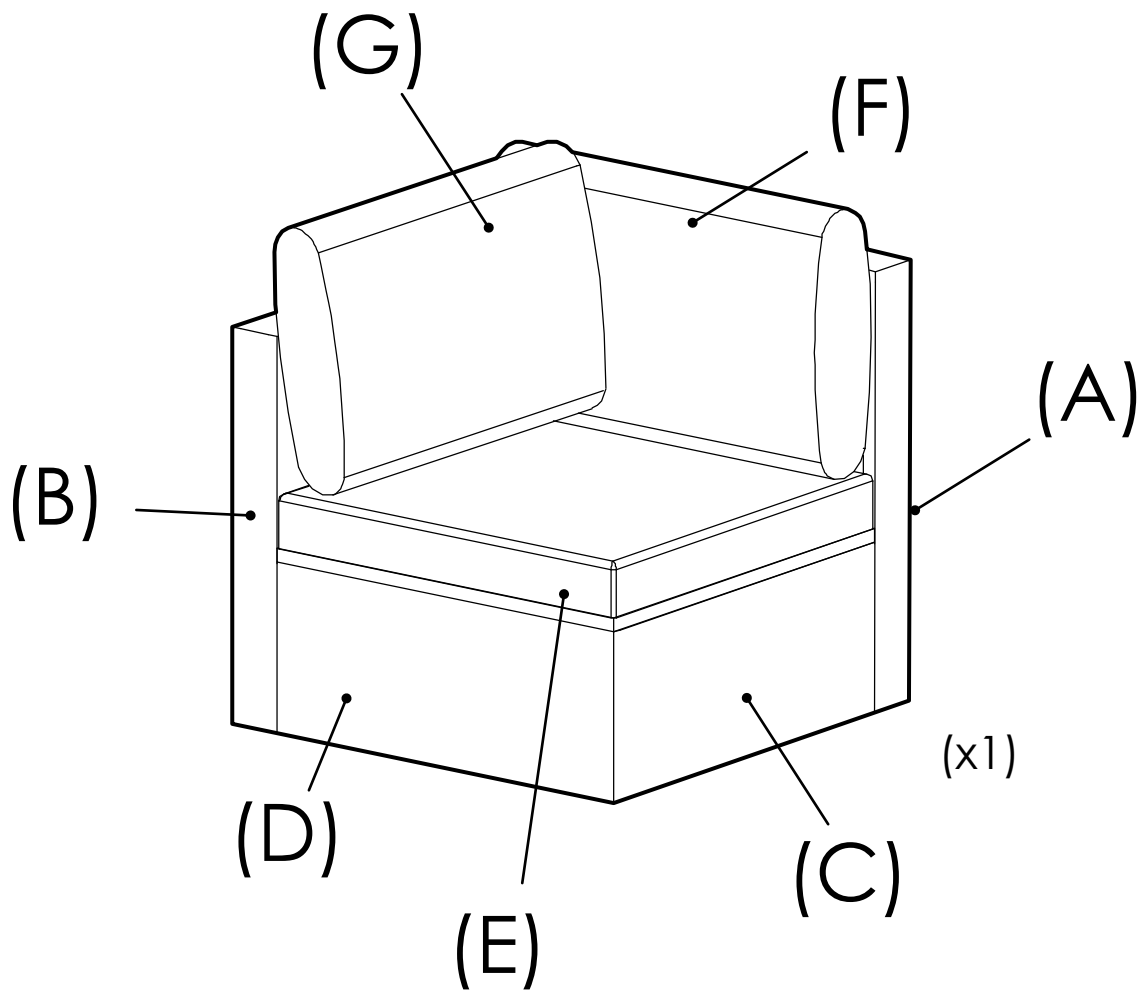
 <p>(A)x2</p>	 <p>(B)x2</p>	 <p>(C)x4</p>
 <p>(D)x2</p>	 <p>(E)x2</p>	 <p>(F)x20</p>
 <p>(G)x1</p>		



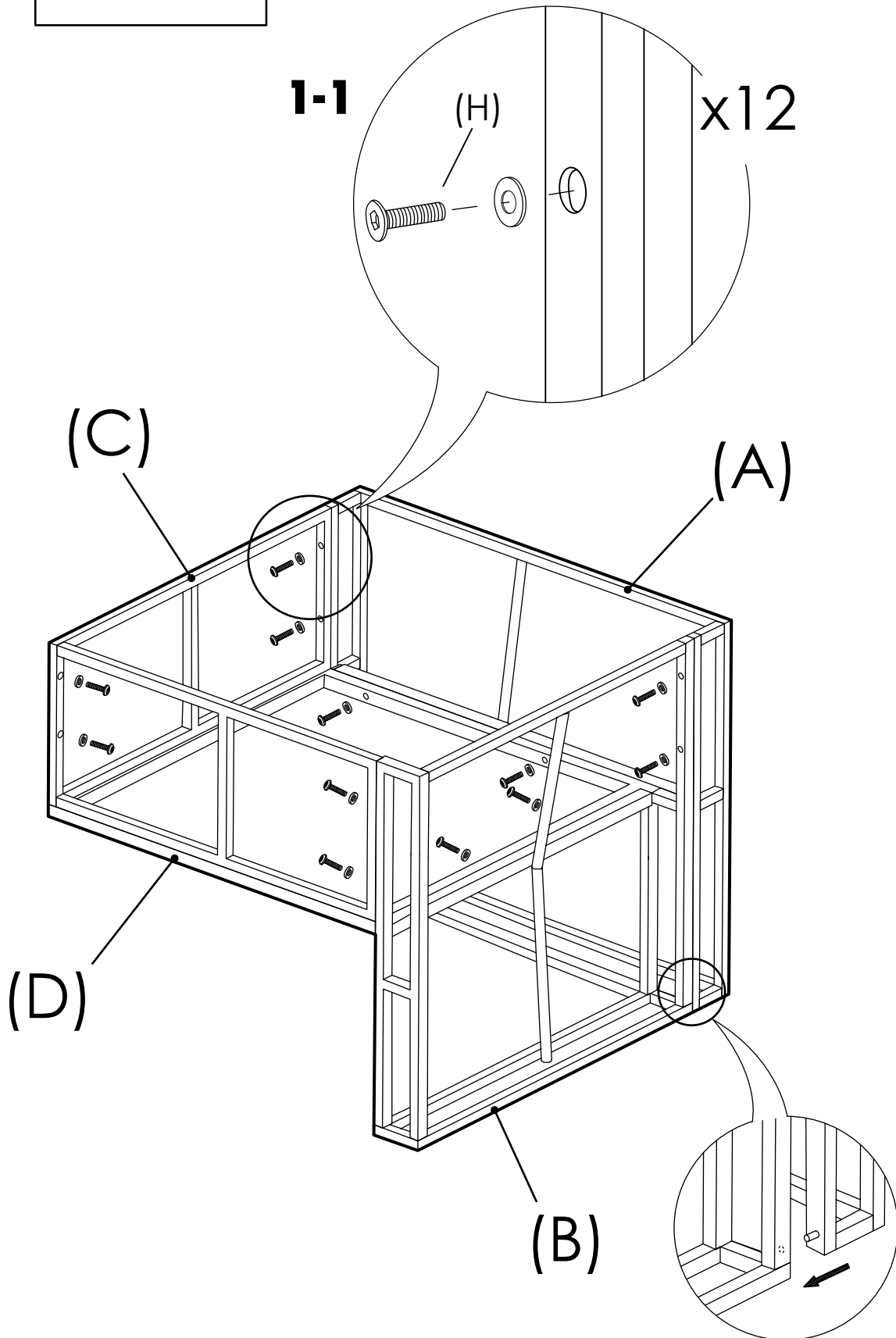
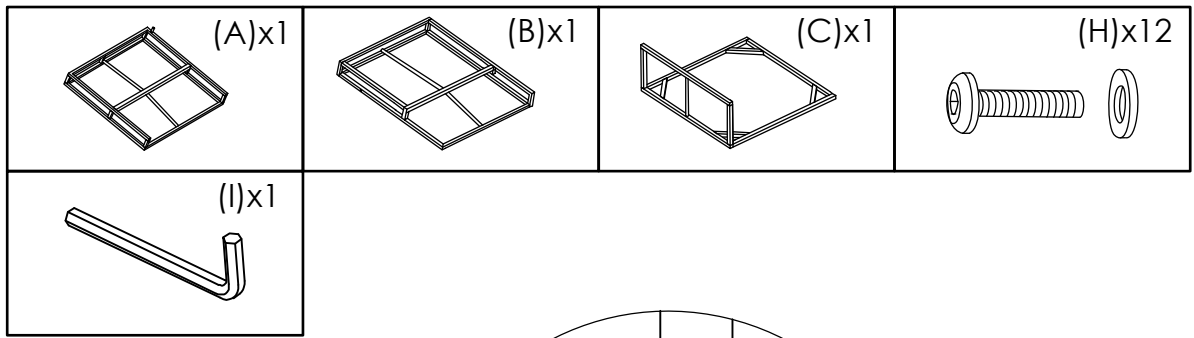
1.

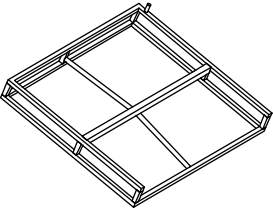
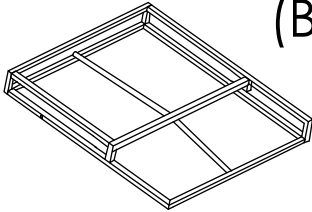
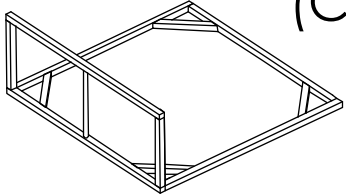
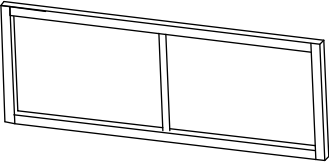
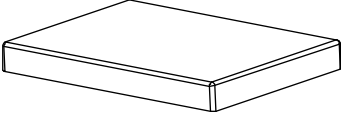
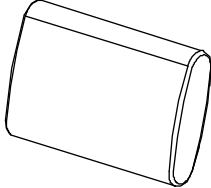
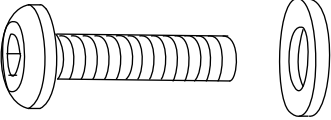
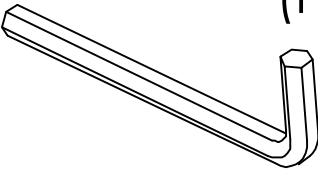


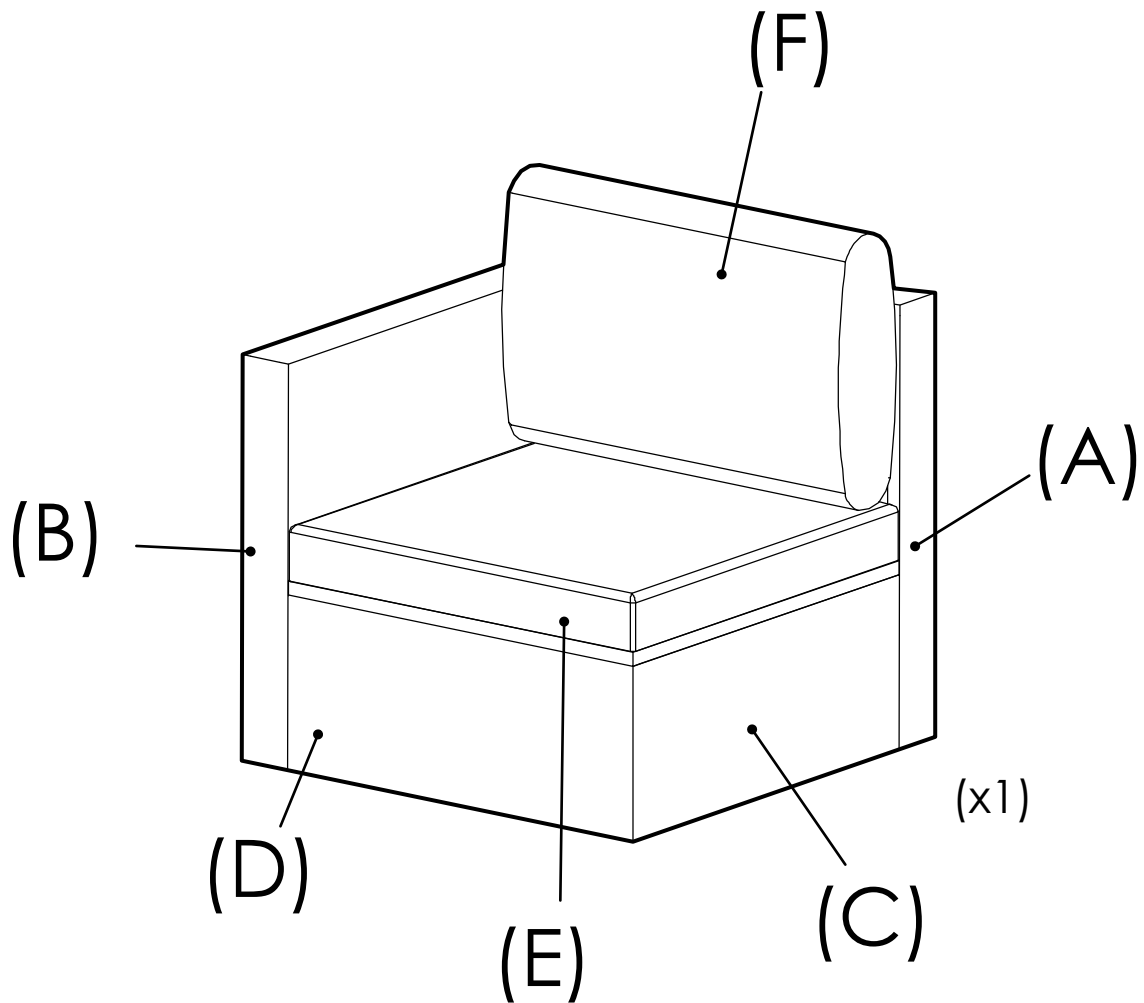
 <p>(A)x1</p>	 <p>(B)x1</p>	 <p>(C)x1</p>
 <p>(D)x1</p>	 <p>(E)x1</p>	 <p>(F)x1</p>
 <p>(G)x1</p>	 <p>(H)x12</p>	 <p>(I)x1</p>



1.



 <p>(A)x1</p>	 <p>(B)x1</p>	 <p>(C)x1</p>
 <p>(D)x1</p>	 <p>(E)x1</p>	 <p>(F)x1</p> <p>M6x40</p>
 <p>(G)x12</p>	 <p>(H)x1</p>	



1.

