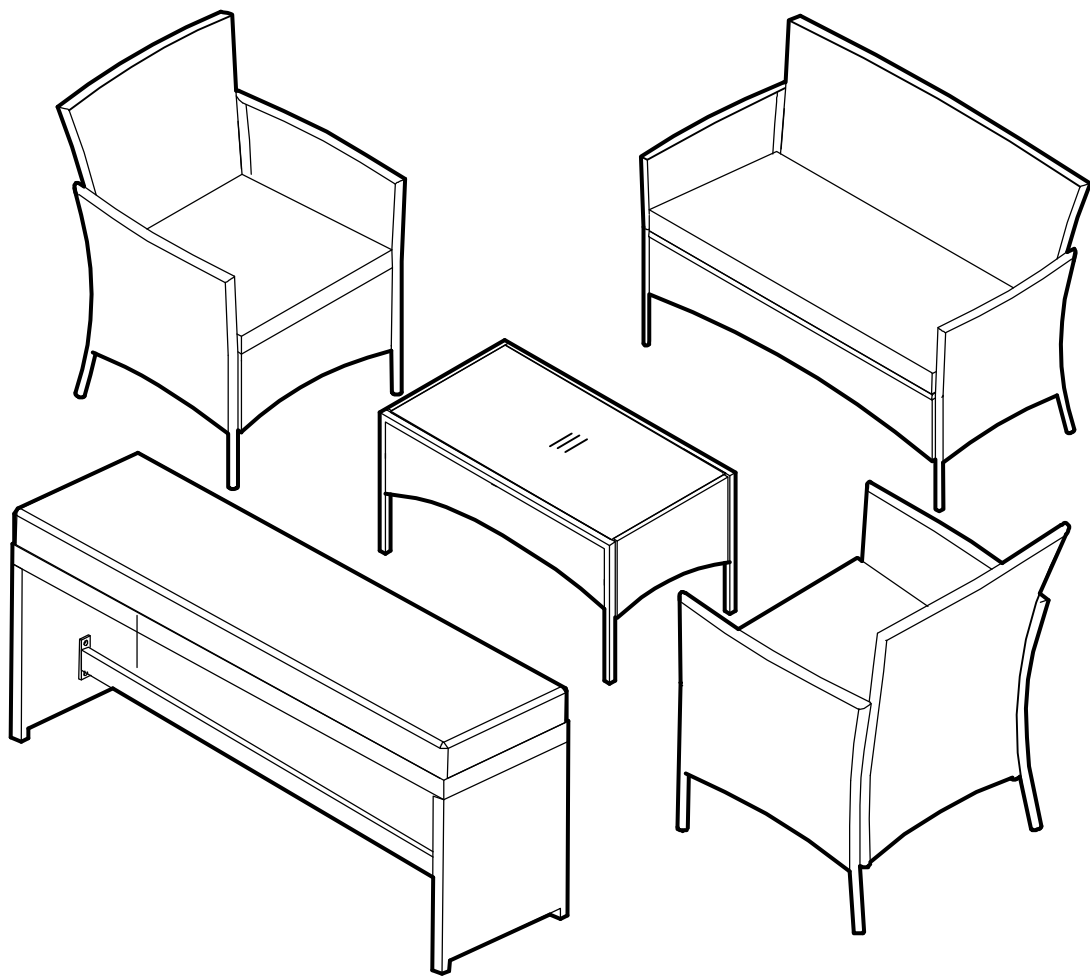
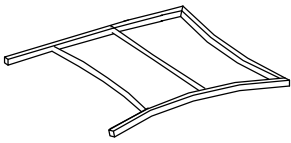
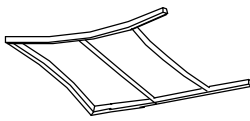
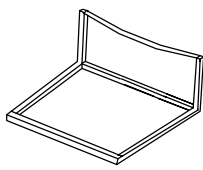
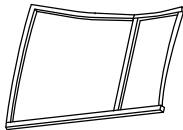
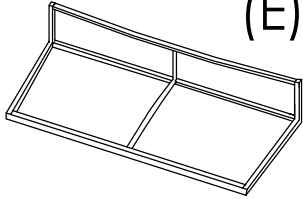
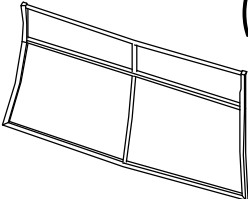
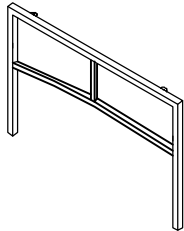
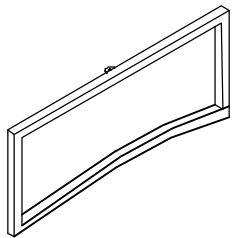
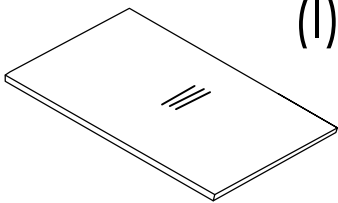
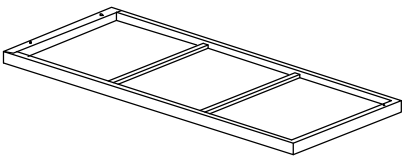
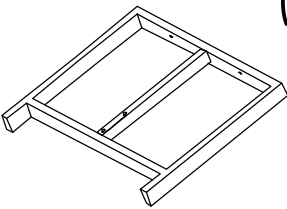
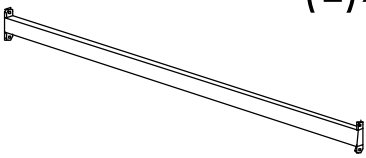
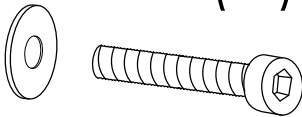
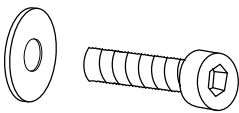

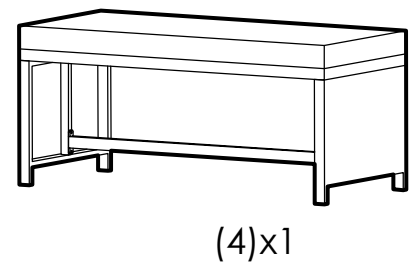
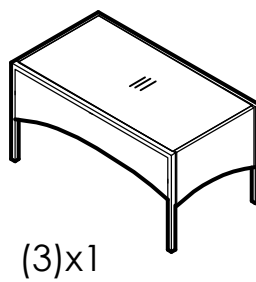
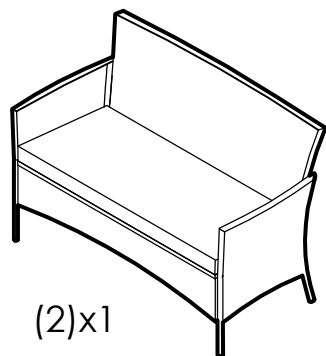
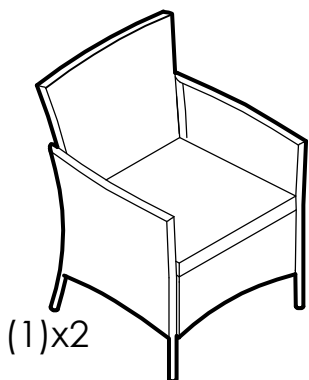


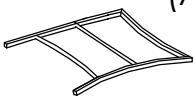
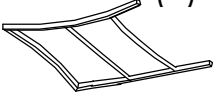
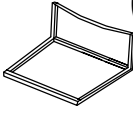
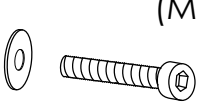

GRS

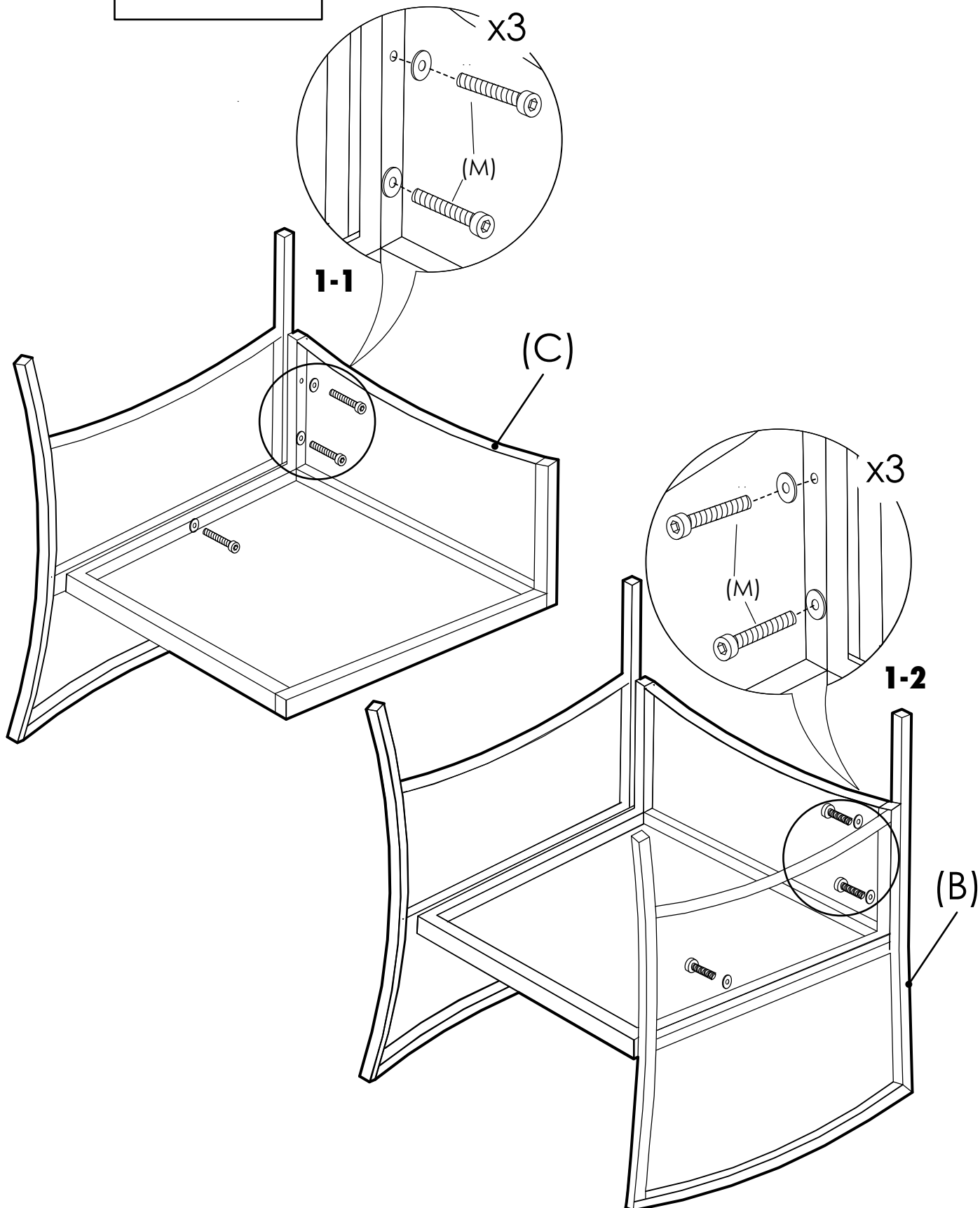


 <p>(A)x3</p>	 <p>(B)x3</p>	 <p>(C)x2</p>
 <p>(D)x2</p>	 <p>(E)x1</p>	 <p>(F)x1</p>
 <p>(G)x2</p>	 <p>(H)x2</p>	 <p>(I)x1</p>
 <p>(J)x1</p>	 <p>(K)x2</p>	 <p>(L)x1</p>
 <p>(M)x50</p> <p>M6x40</p>	 <p>(N)x4</p> <p>M6x20</p>	 <p>(O)x1</p>

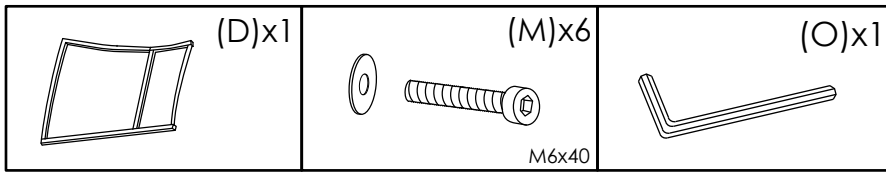


1.

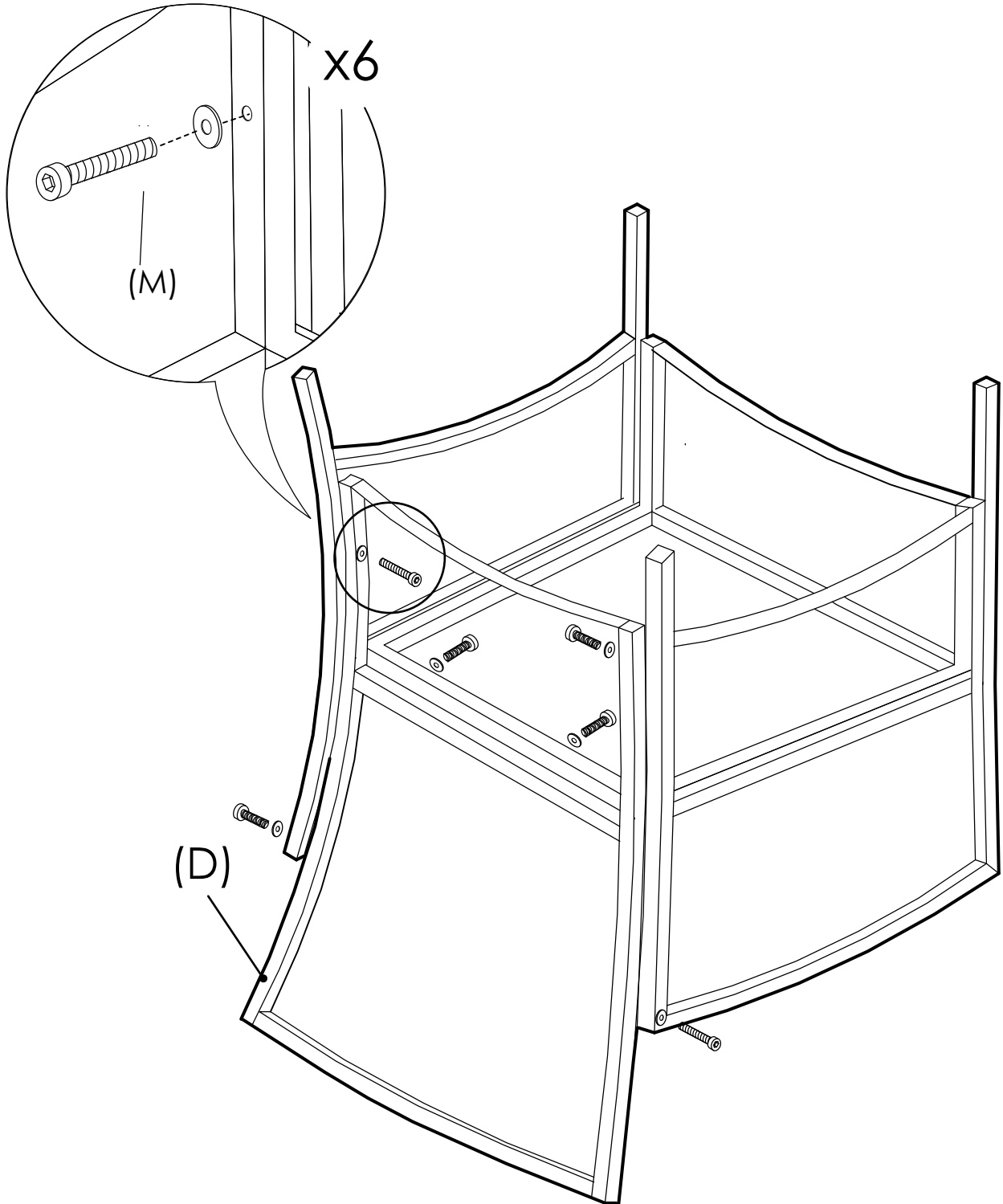
 (A)x1	 (B)x1	 (C)x1	 (M)x6 M6x40
 (O)x1			



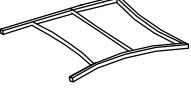
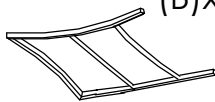
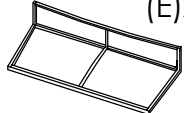
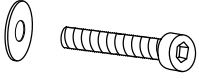

2.



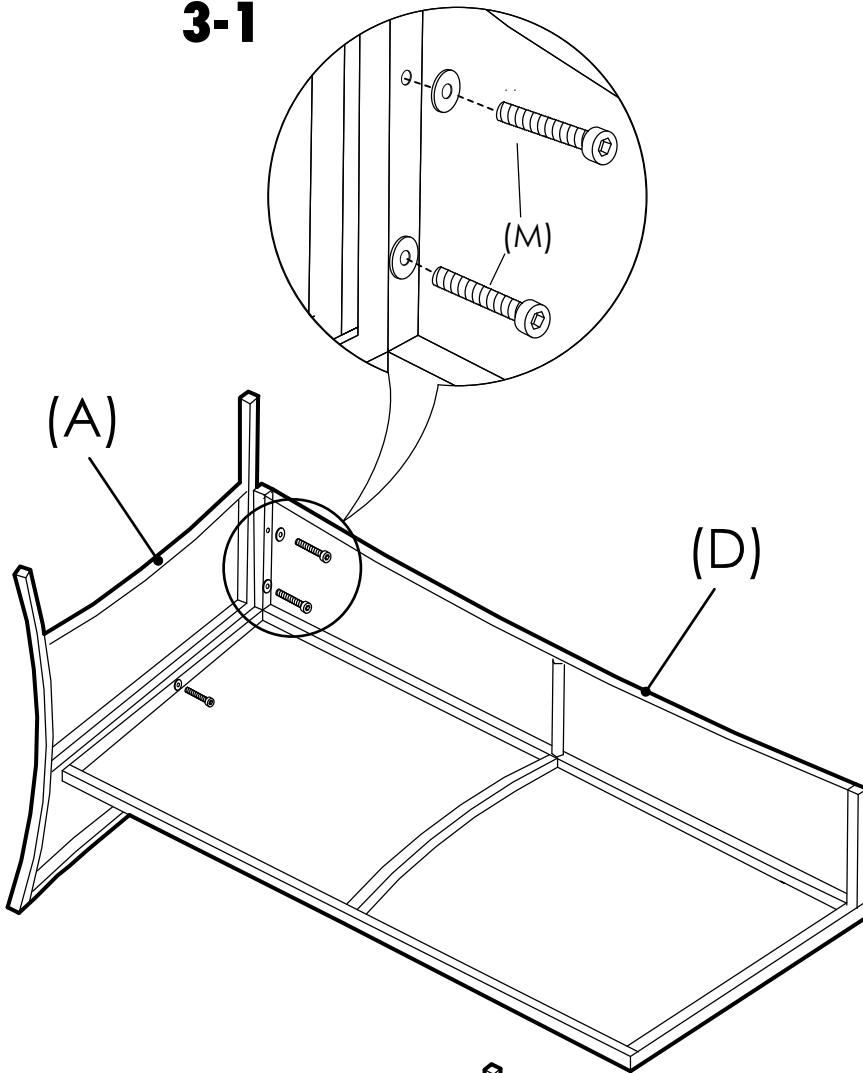
2-1



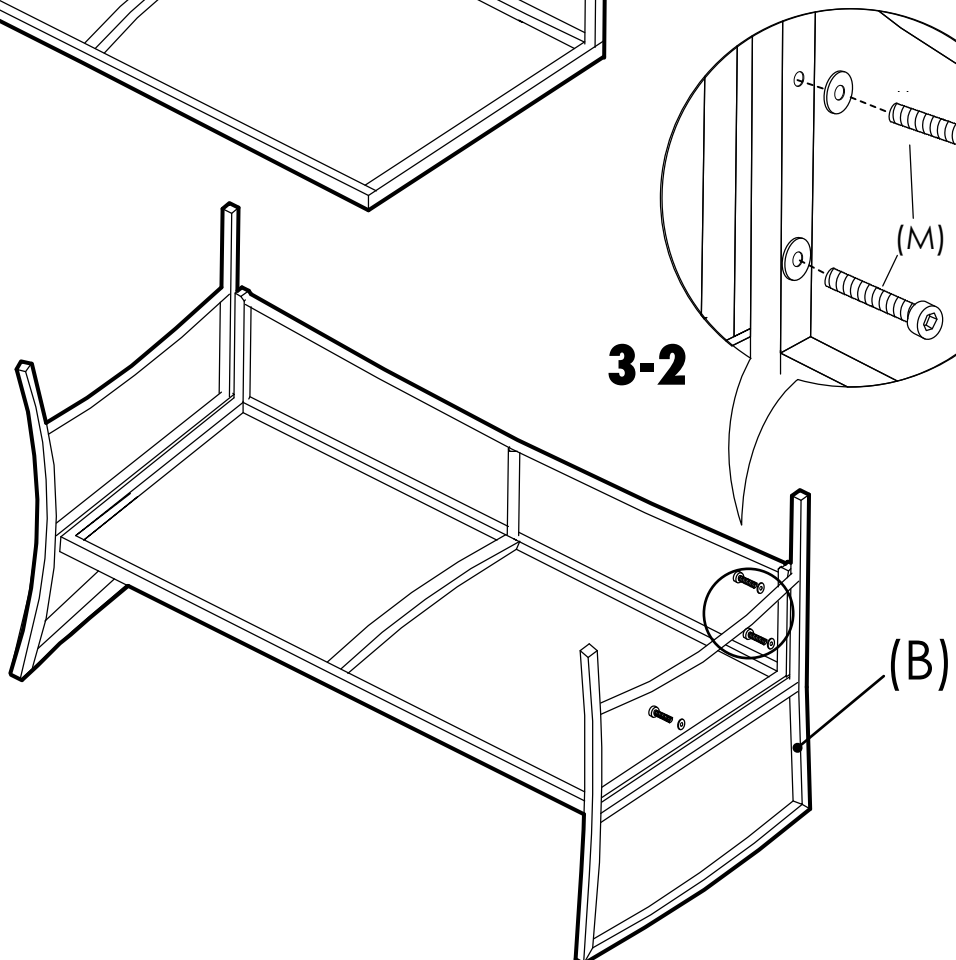
3.

 (A)x1	 (B)x1	 (E)x1	 (M)x6
			 (O)x1

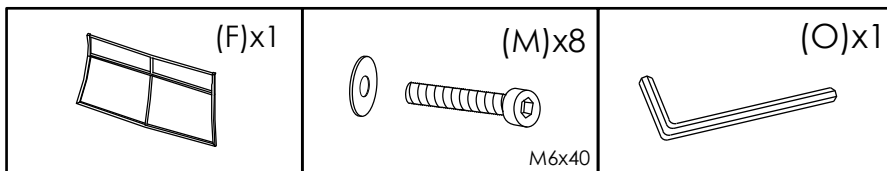
3-1



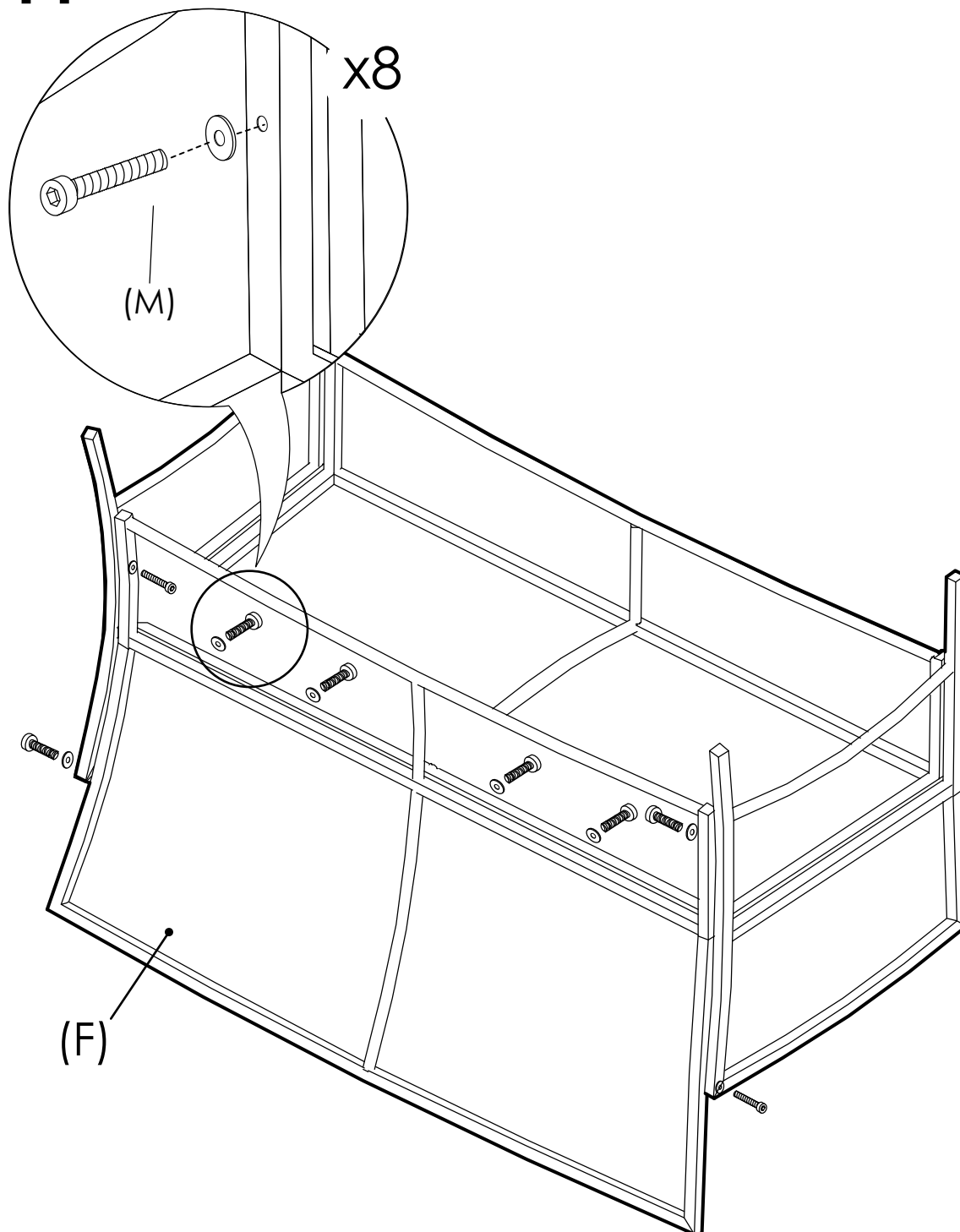
3-2



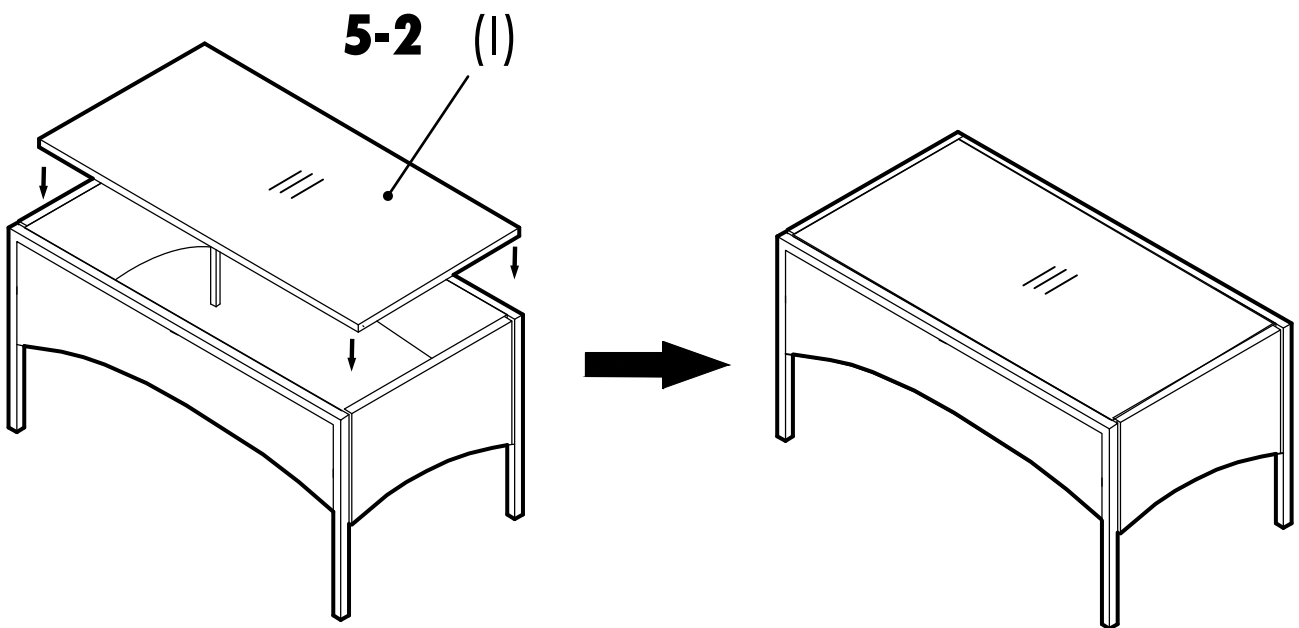
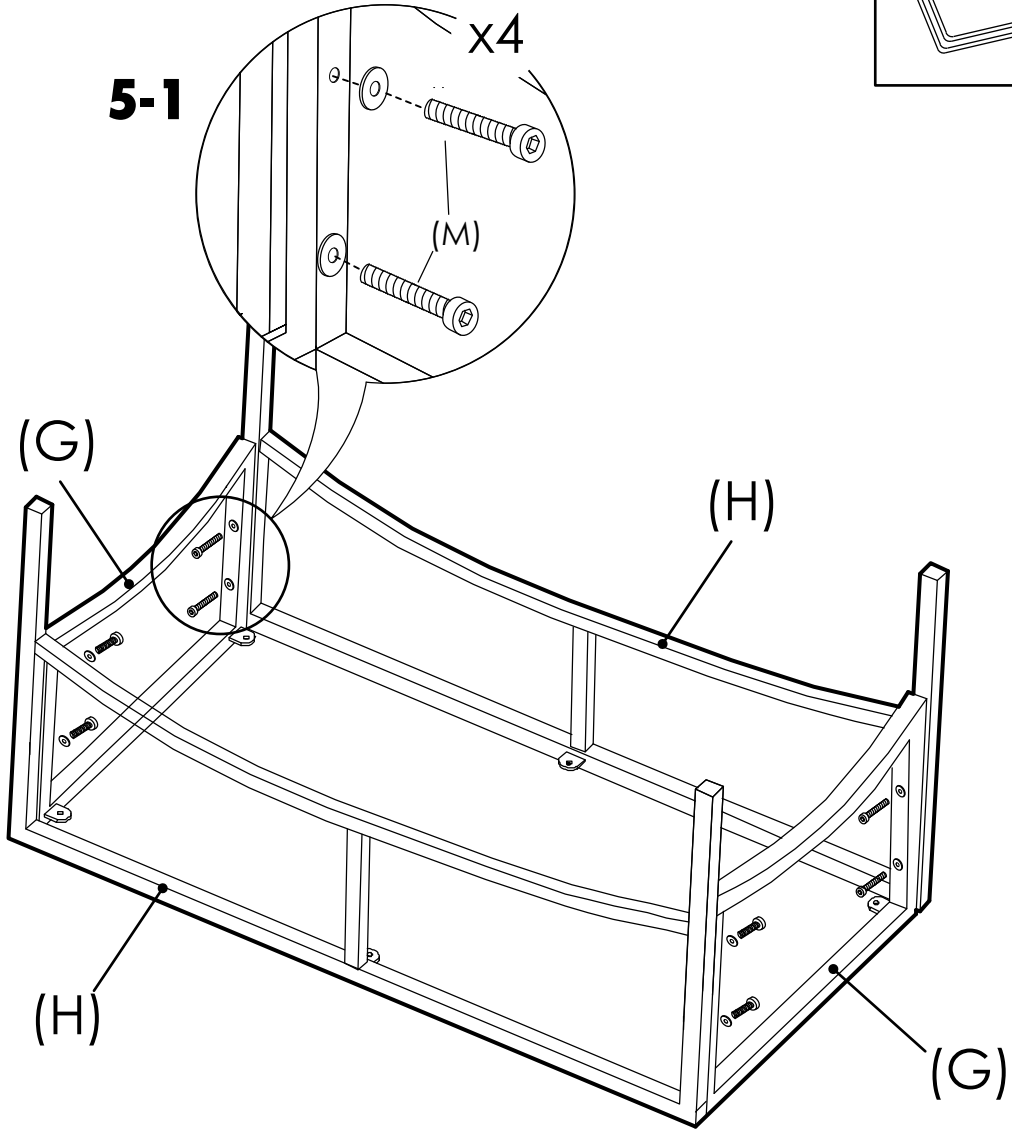
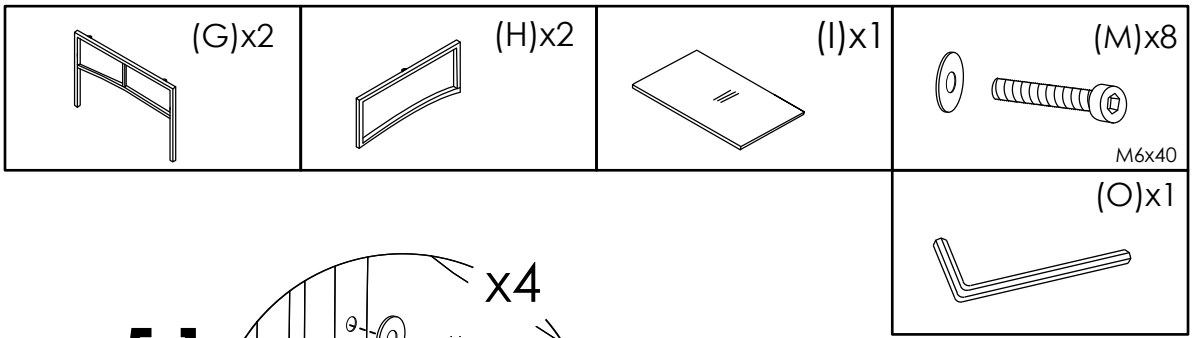
4.



4-1



5.



6.

