



**MODEL : REI - AF HIGH BED - 915 X 1900MM**

# REI HIGH BED ASSEMBLY INSTRUCTION

Thank you for purchasing this quality product. Be sure to check all packing material carefully for small parts which may have come loose inside the carton during shipment. Separate, identify and count all parts and hardware. Compare with the parts list to be sure all parts are present.

**IMPORTANT : PLEASE READ INSTRUCTION BEFORE STARTING THE ASSEMBLY.**

**"DO NOT TIGHTEN SCREWS UNTIL COMPLETELY ASSEMBLED"**

**"DO NOT OVERTIGHT ANY HARDWARE"**

**WARNING : SMALL PARTS AND HARDWARE NOT FOR CHILDREN UNDER 3 YEARS. ADULT ASSEMBLY REQUIRED.**

## TABLE OF CONTENTS

IMPORTANT NOTICE	PAGE 2
HARDWARES LIST	PAGE 3
PARTS LIST	PAGE 4
PARTS' LOCATION	PAGE 5
ASSEMBLY STEPS	PAGE 6 - 10
ASSEMBLY COMPLETED	PAGE 11

## ASSEMBLY TOOL REQUIRED

1. Screwdriver (not provide)



# REI HIGH BED ASSEMBLY INSTRUCTION

**IMPORTANT : READ THESE INSTRUCTION CAREFULLY BEFORE ASSEMBLING THE BED.**

**IMPORTANT : READ CAREFULLY.  
RETAIN FOR FUTURE REFERENCE.**

## **HEALTH & SAFETY:**

**DO NOT** jump on the bed frame.

**DO NOT** use this bed frame if any parts are missing, damage or worn.

**DO NOT** use this bed frame unless all fixing are secured.

Please keep small parts out of reach of children.

Always use on a level, even surface.

This bed is tested to European safety standard **BS EN 747-1:2024**

**WARNING :** If this bed placed on a non-carpeted floor you must place some protection under all legs to stop the bed frame from moving. If this is not adhered to there is no guarantee if the bed frame collapses.

**WARNING :** High bed and bunk beds are not suitable for use by children under six years of age due to risk of injury from falls.

**WARNING :** Please note the area underneath the bed is to used for storage purpose only.

**WARNING :** High bed and bunk beds can present a serious risk of injury from strangulation if not used correctly . Never attach or hang anything on any part of the frame that is not designed to be used with the bed. for example but not limited to ropes, strings, cords, hooks, belts, and bags.

**WARNING :** Do not use the high bed and bunk beds if any structure part is broken or missing.

**WARNING :** Children can become trapped between the bed and the wall, a roof pitch, the ceiling. adjoining pieces of furniture(e.g. cupboards) and the like. To avoid risk of serious injury the distance between the top safety barrier and the adjoining structure shall not exceed 75mm or shall be more than 230mm.

- Always follow the manufacturer's instructions.

- Use ladder for entering and leaving upper bunk.

## **CARE & MAINTENANCE :**

Assemble in the room of use.

Assemble on a soft, clean surface.

Please check regularly that all assembly fastening are properly tighten.

**DO NOT** push the bed frame as this will damage the legs.

Always lift the bed with two people to reposition.

Use a soft, dry cloth to clean - do not use any detergents or chemicals.

Avoid contact with water and direct sunlight. Ventilation is necessary. Do not place bed near heat sources, window to keep the humidity low and prevent mould in and around the bed.

## **INFORMATION**

- Maximum thickness of mattress 15 cm. Please refer to marking headboard.

- Recommend size of mattress L 190cm x W 90cm x H 15cm

- When you are ready to start, make sure that you have the right tools, plenty of space on a clean, dry area for assembly.

- Check the pack to make sure that you have all the part listed.

- Ensure that this product is fully assembly and secured as illustrated before use.

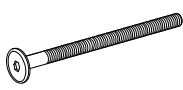
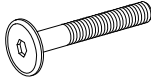

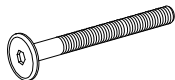
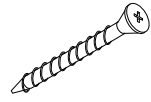
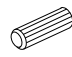


- Importer : Bedcare Ltd / Reinforced Beds

- Importer address : West Holme Nursery, 65 Station Road North, Walpole Cross Keys, King Lynn, norfolk, PE34 4HB

# REI HIGH BED ASSEMBLY INSTRUCTION

## HARDWARES LIST

You can use letters or numbers here.

<p><b>A</b> </p> <p>(A) M6 X 100MM JCBC SCREW</p>	<p><b>QTY</b></p> <p><b>39</b></p>	<p><b>B</b> </p> <p>(B) M6 X 50MM JCBC SCREW - ( LADDER )</p>	<p><b>QTY</b></p> <p><b>7</b></p>	<p><b>C</b> </p> <p>(C) BARREL NUT M6 X 15MM</p>	<p><b>QTY</b></p> <p><b>55</b></p>
<p><b>D</b> </p> <p>(D) M6 X 60MM JCBC SCREW - ( LADDER )</p>	<p><b>16</b></p>	<p><b>E</b> </p> <p>(E) M4 X 32MM CSK SCREW</p>	<p><b>26</b></p>	<p><b>F</b> </p> <p>(F) WOOD DOWEL M10 X 40MM</p>	<p><b>50</b></p>
<p><b>G</b> </p> <p>(G) M4 ALLEN KEY ( BALL TYPE )</p>	<p><b>2</b></p>	<p><b>H</b> </p> <p>(H) WOOD BUTTON</p>	<p><b>39</b></p>		



### Important

1. Before you throw the package , please use the Check Box to identify the parts and hardware to ensure that you have everything you need.
2. Check and measure the bolts before applying them to parts.
3. Do not completely tighten all hardware until the entire assembly is complete, unless indicate otherwise.

# REI HIGH BED ASSEMBLY INSTRUCTION

## PARTS LIST

1  BED POST FRONT (LEFT)	QTY <b>1</b>	2  BED POST BACK (LEFT)	QTY <b>1</b>	3  BED POST FRONT (RIGHT)	QTY <b>1</b>	4  BED POST BACK (RIGHT)	QTY <b>1</b>
5  HEADBOARD PANEL TOP ( LEFT )	QTY <b>1</b>	6  HEADBOARD PANEL BOTTOM ( LEFT )	QTY <b>2</b>	9  LADDER POST (LEFT & RIGHT )	QTY <b>2</b>		
7  HEADBOARD PANEL TOP ( RIGHT )	QTY <b>1</b>	8  HEADBOARD PANEL BOTTOM ( LEFT )	QTY <b>2</b>				
10  LADDER STEP	QTY <b>4</b>	11  FENCING(FRONT AND BACK)	QTY <b>2</b>				
12  FENCING BACK(CENTER & BOTTOM)	QTY <b>2</b>	13  WOODEN SLAT	QTY <b>1</b>				

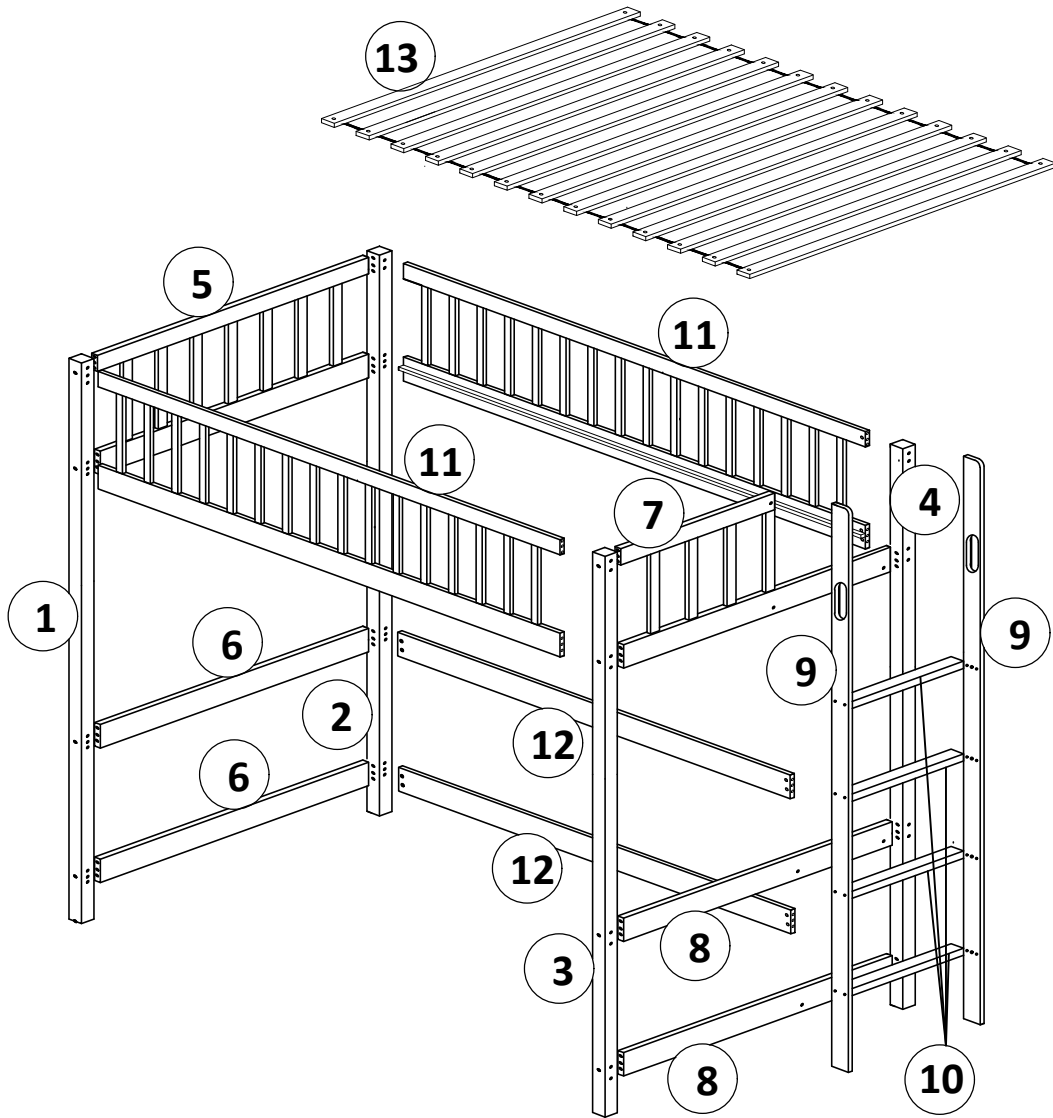
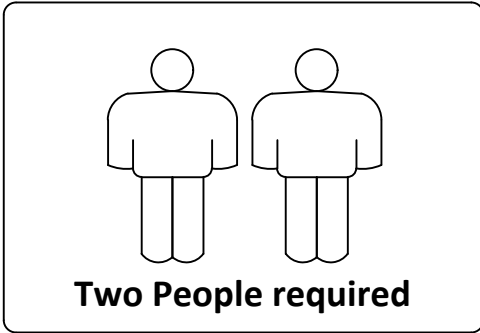


### Important

1. Before you throw the package , please use the Check Box to identify the parts and hardware to ensure that you have everything you need.
2. Check and measure the bolts before applying them to parts.
3. Do not completely tighten all hardware until the entire assembly is complete, unless indicate otherwise.

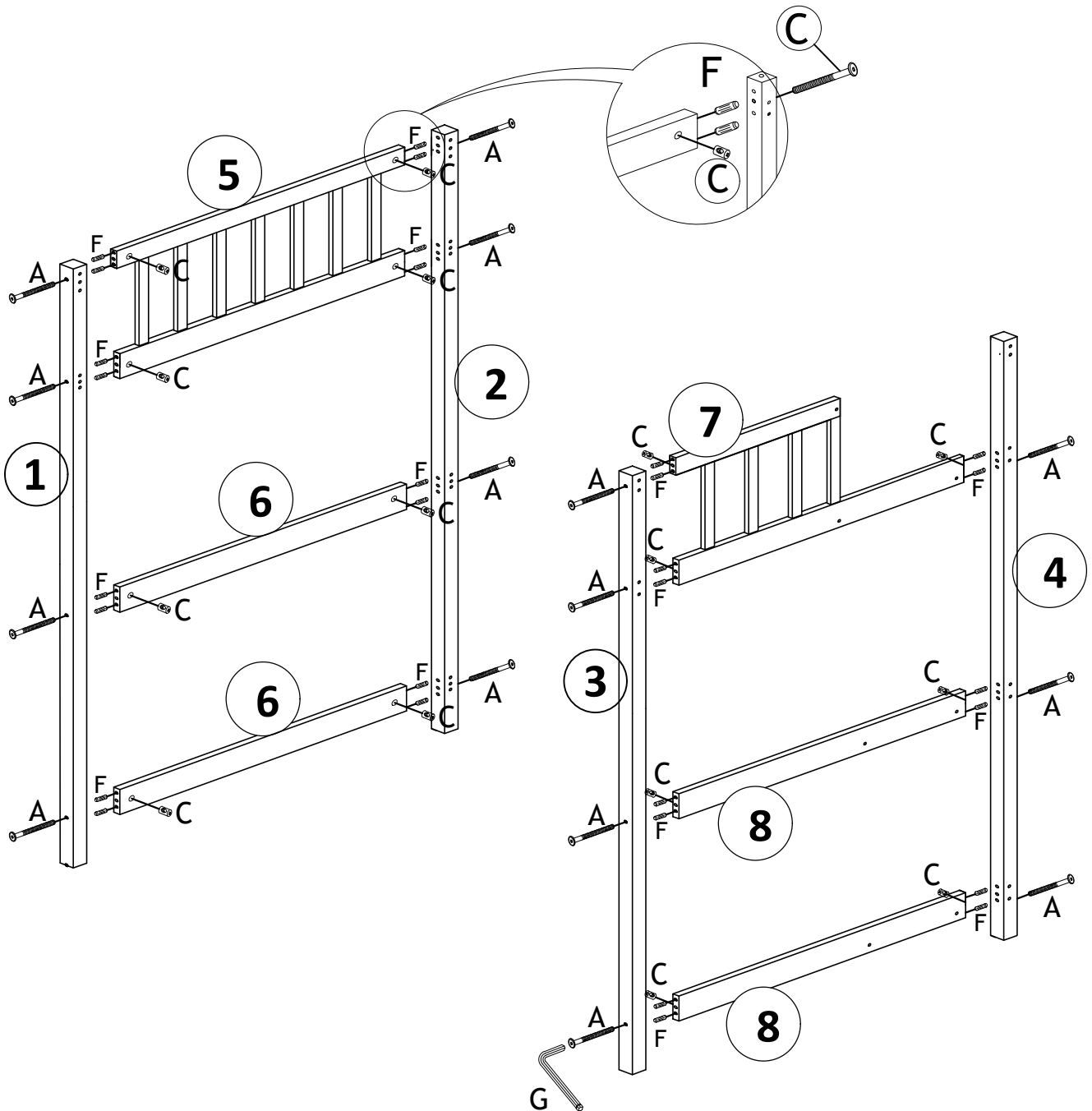
# REI HIGH BED ASSEMBLY INSTRUCTION

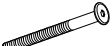



## PARTS' LOCATION



# REI HIGH BED ASSEMBLY INSTRUCTION

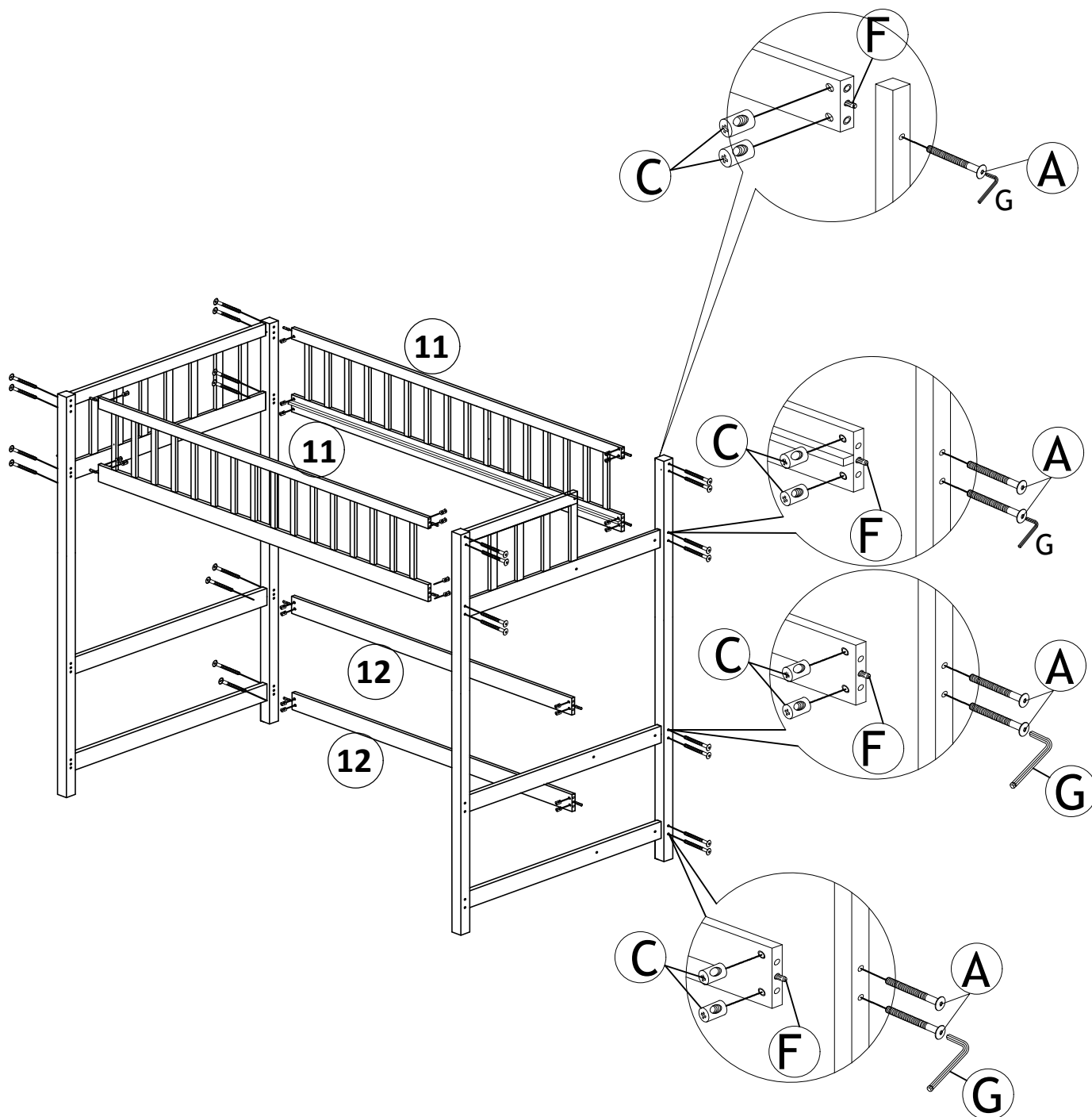
## Step 1 BED POST AND HEADBOARD PANEL ASSEMBLY

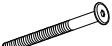





HARDWARE REQUIRED			
			
<b>A=15</b>	<b>C=15</b>	<b>F=30</b>	<b>G=1</b>

# REI HIGH BED ASSEMBLY INSTRUCTION

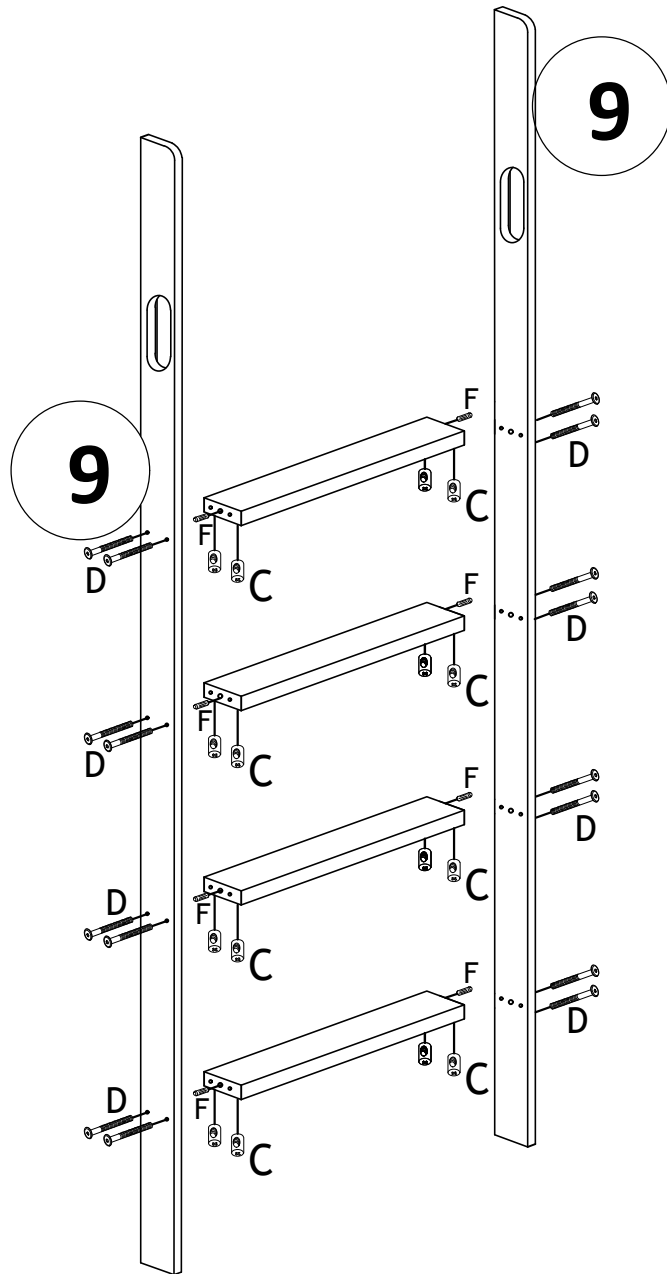
## Step 2 SIDE PANEL (LEFT) , SIDE PANEL (RIGHT) , FENCING(FRONT AND BACK) , FENCING BACK (CENTER AND BOTTOM) ASSEMBLY

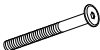





HARDWARE REQUIRED			
			
<b>A=24</b>	<b>C=24</b>	<b>F=12</b>	<b>G=1</b>

# REI HIGH BED ASSEMBLY INSTRUCTION

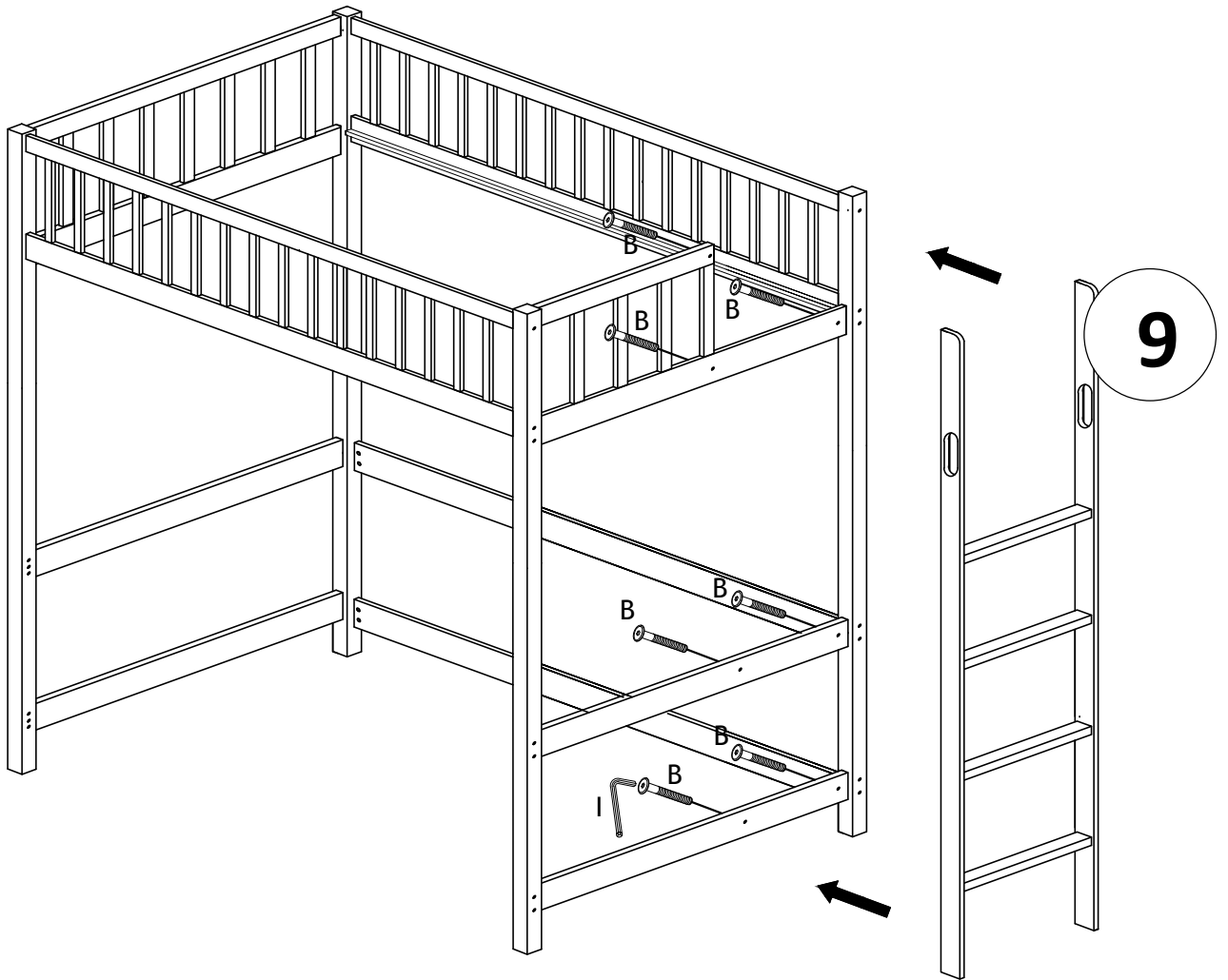
## Step 3 LADDER POST AND LADDER STEP ASSEMBLY



HARDWARE REQUIRED			
			
<b>D=16</b>	<b>C=16</b>	<b>F=8</b>	<b>G=1</b>

# REI HIGH BED ASSEMBLY INSTRUCTION

## Step 4 LADDER ASSEMBLY



### HARDWARE REQUIRED



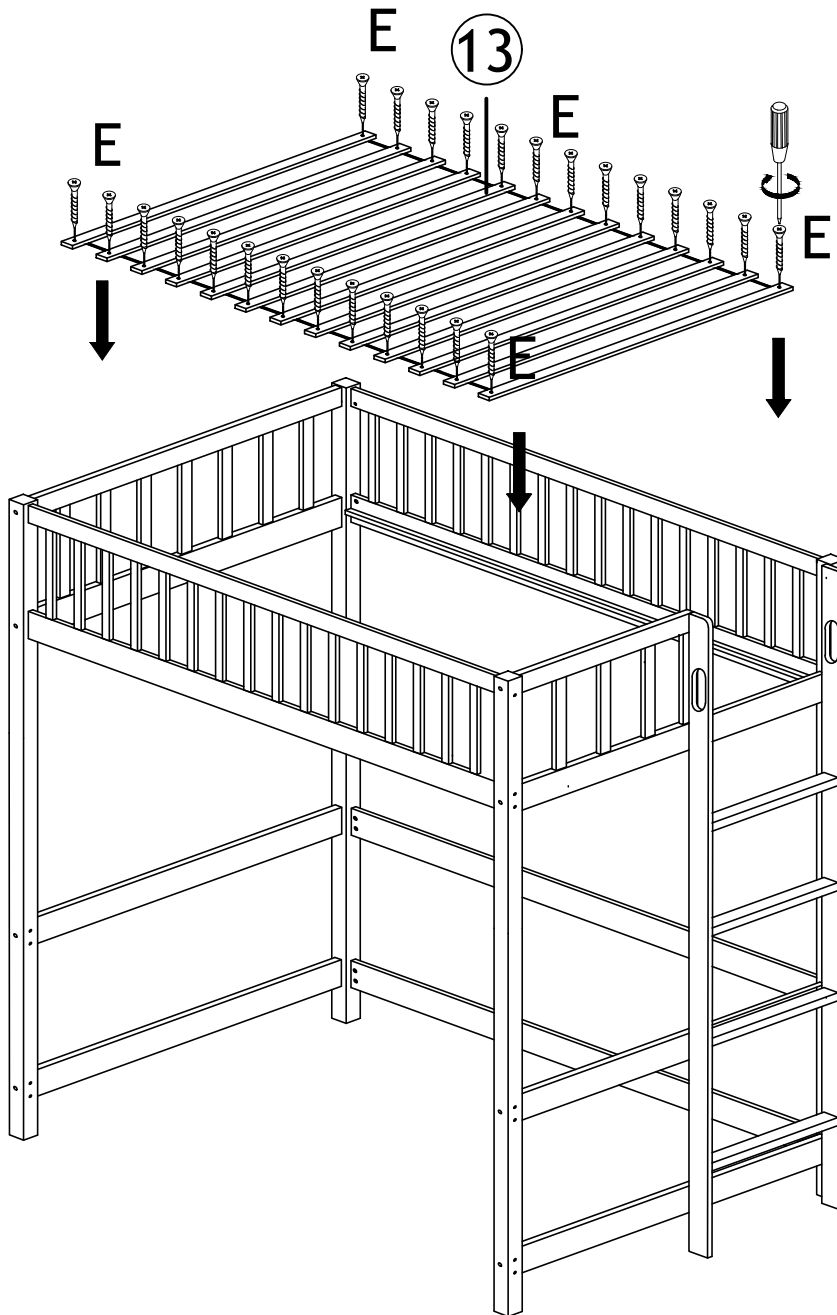
**B=7**



**G=1**

# REI HIGH BED ASSEMBLY INSTRUCTION

## Step 5 WOODEN SLAT ASSEMBLY



### HARDWARE REQUIRED



**E=26**

REQUIRED ASSEMBLY TOOLS :

POZI SCREWDRIVER - 1PC



# REI HIGH BED ASSEMBLY INSTRUCTION

**PLEASE DO NOT REMOVE ALL THESE STICKERS**



## **WARNING**

- This bunk's conforms to be EN 747-1:2024
- This upper bed is not suitable for children under six years.
- Ensure thickness of mattress does not exceed 15cm.

PLEASE DO NOT REMOVE THIS LABEL  
THIS IS PERMANENT LABEL



**H=39**

**FULL SETUP**

**TIGHTEN ALL THE JCBC SCREWS AND THEN  
PLACES WOOD BUTTON TO ALL THE HOLES.**