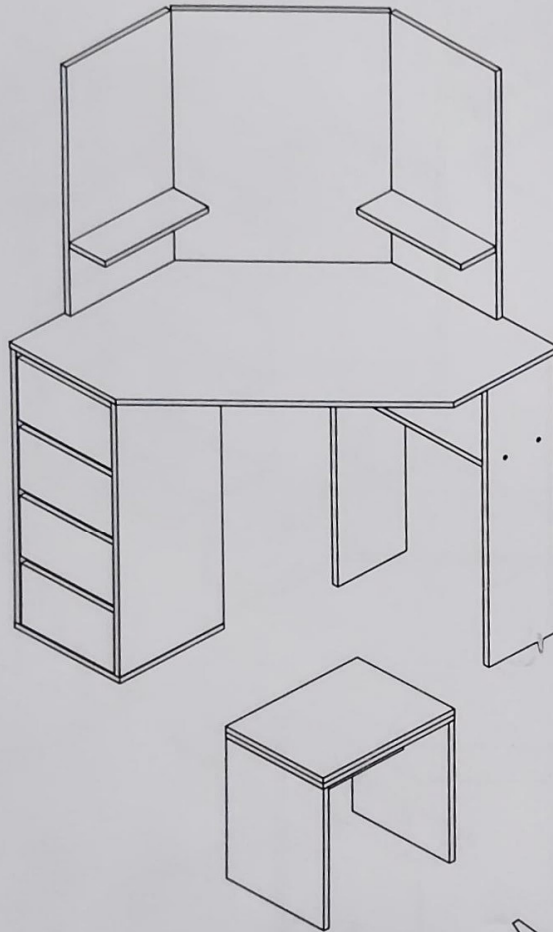
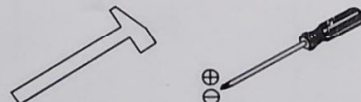



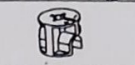

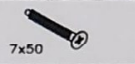
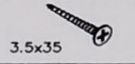
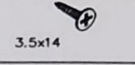

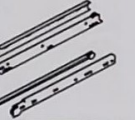
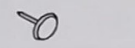
Cedmer Perry

Assembly Instruction

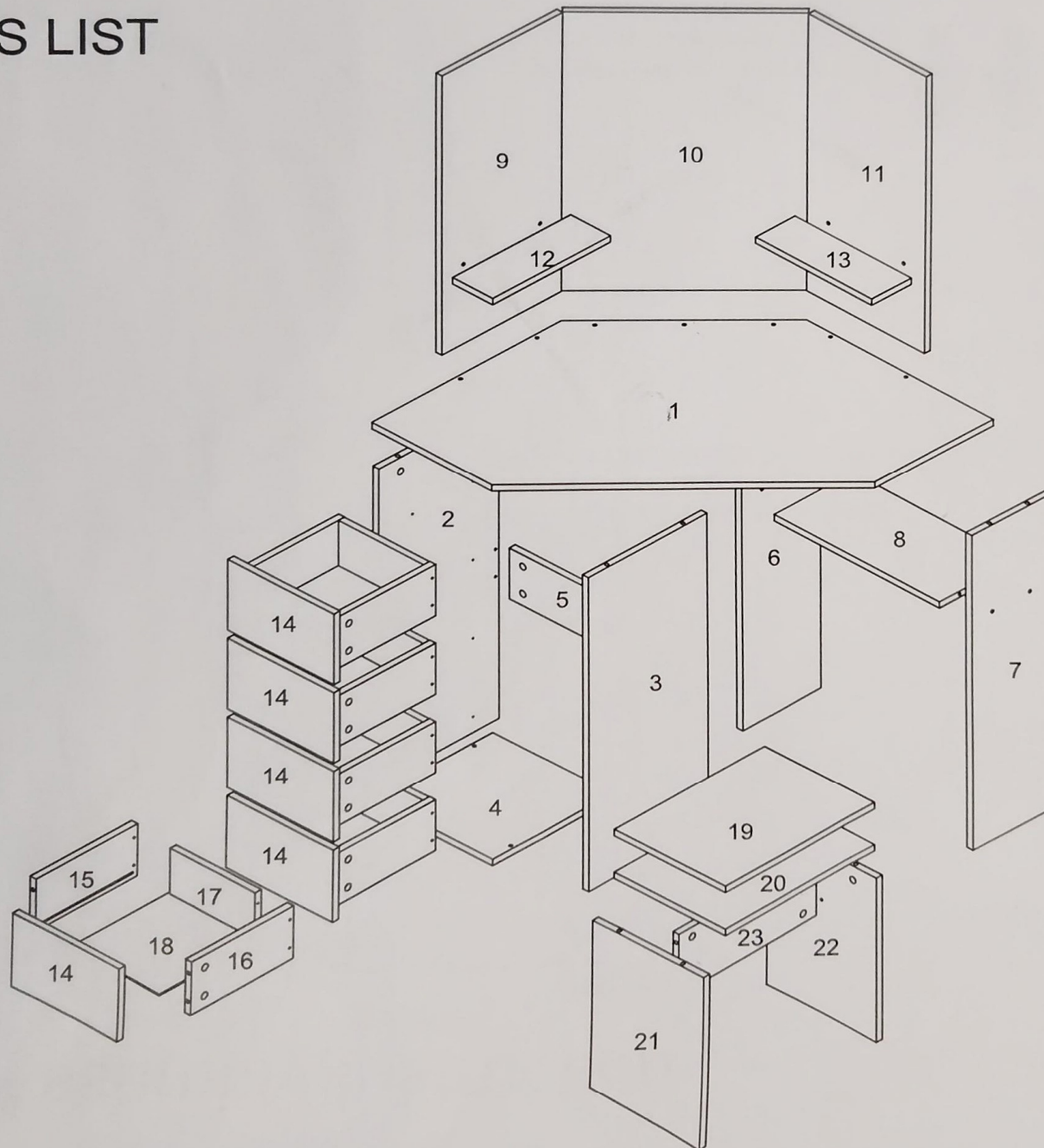



Hammer and Screwdriver
are not included !!



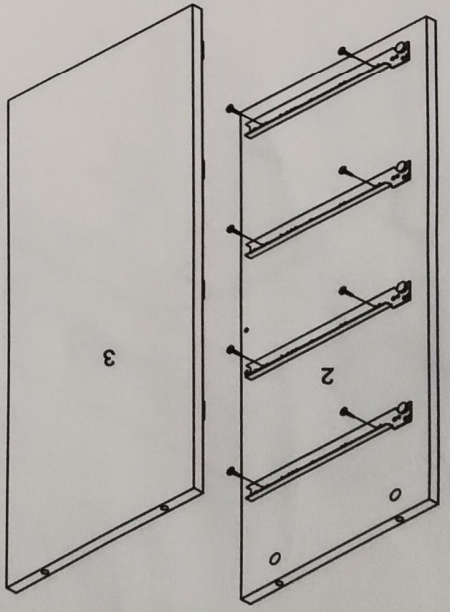
NO.	QTY.	LINEDRAWING
(A)	37	
(B)	37	
(C)	2	
(D)	19	 7x50
(E)	16	 3.5x35
(F)	48	 3.5x14
(G)	19	
(H)	4	
(I)	12	

PARTS LIST



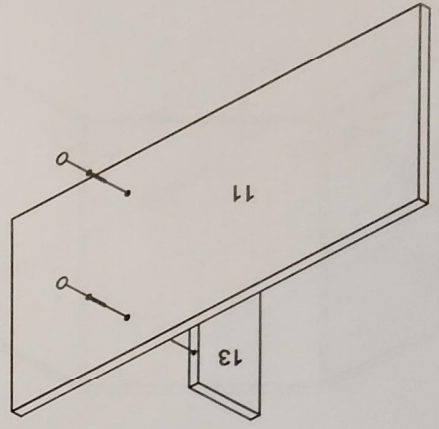
NO.	QTY.	NO.	QTY.
①	1	⑬	1
②	1	⑭	4
③	1	⑮	4
④	1	⑯	4
⑤	1	⑰	4
⑥	1	⑱	4
⑦	1	⑲	1
⑧	1	⑳	1
⑨	1	㉑	1
⑩	1	㉒	1
⑪	1	㉓	1
⑫	1		

1



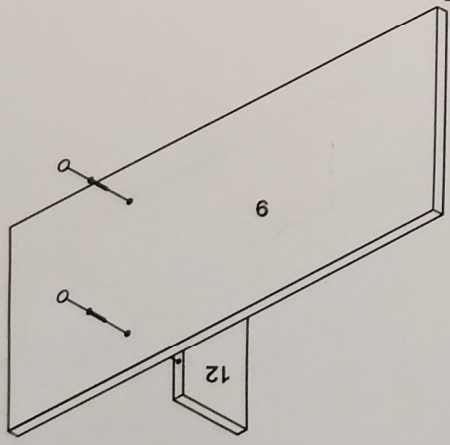
H	4x	
F	16x	

3



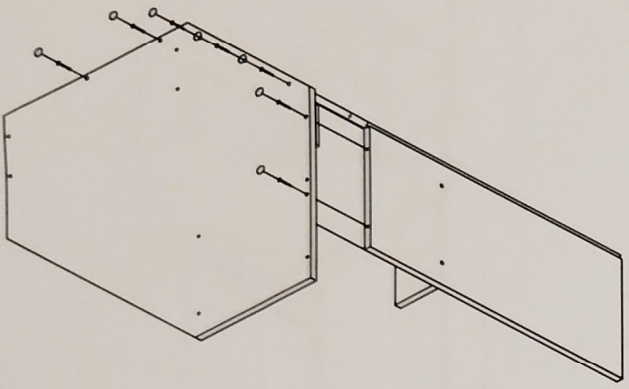
D	2x	
G	2x	

2



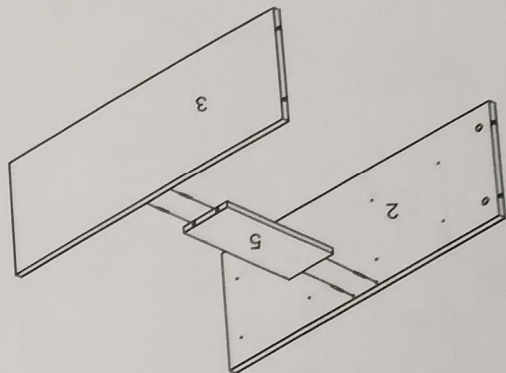
D	2x	
G	2x	

4



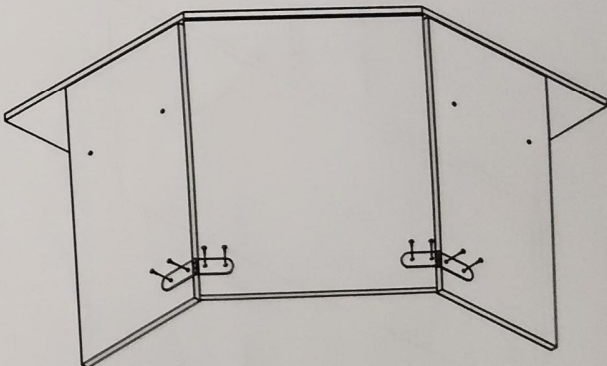
D	7x	
G	7x	

7



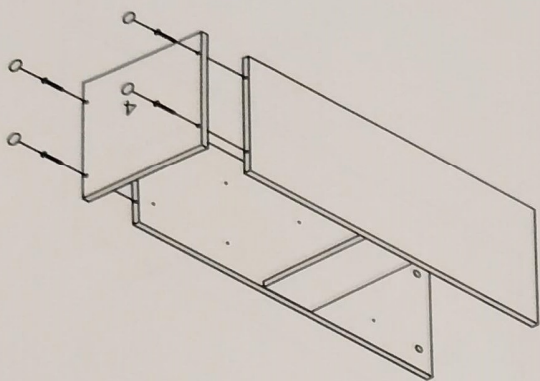
A	4x	
B	4x	

5



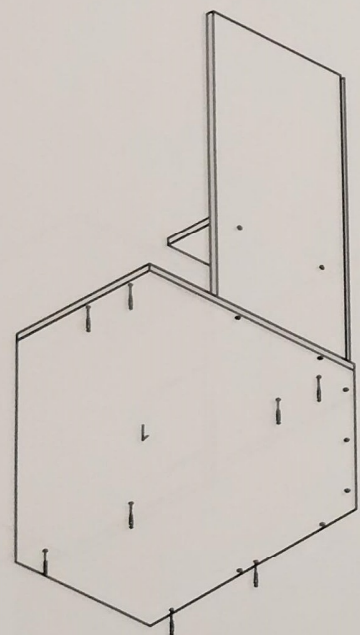
C	2x	
F	8x	

8



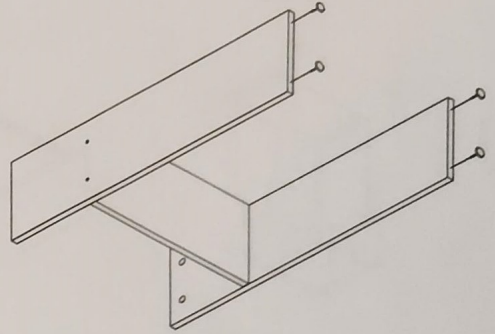
D	7x50	
G	4x	

9



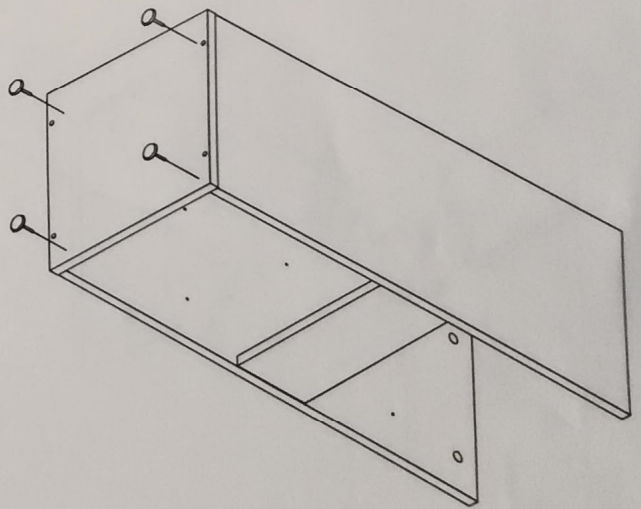
A	8x	
---	----	--

I
4x
Q



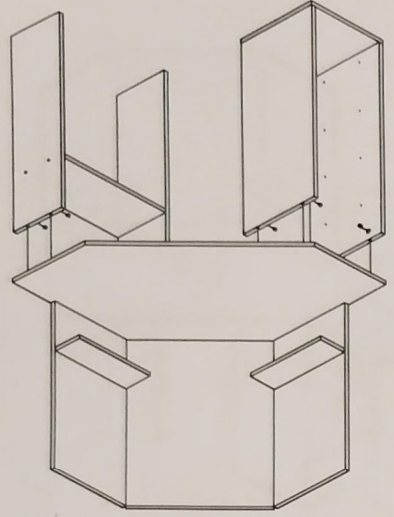
11

I
4x
Q



9

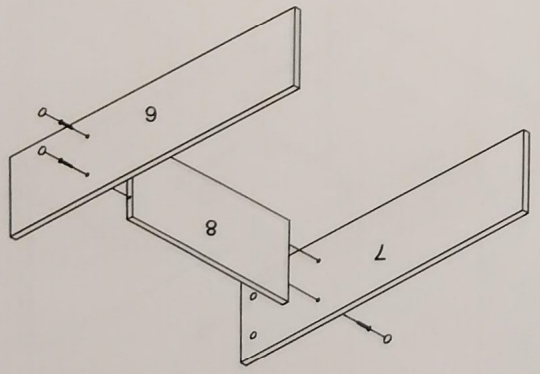
B
8x
Q



12

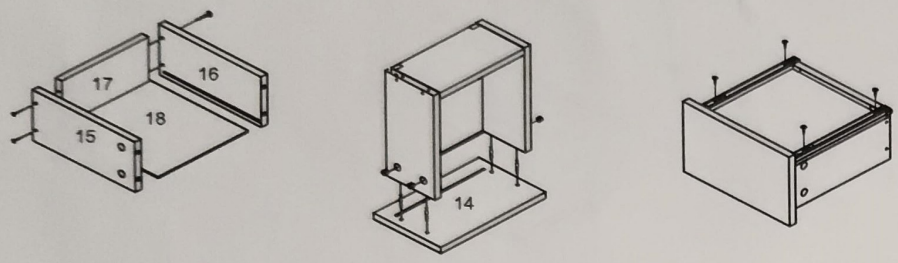
D
7x50
4x
G
4x






10



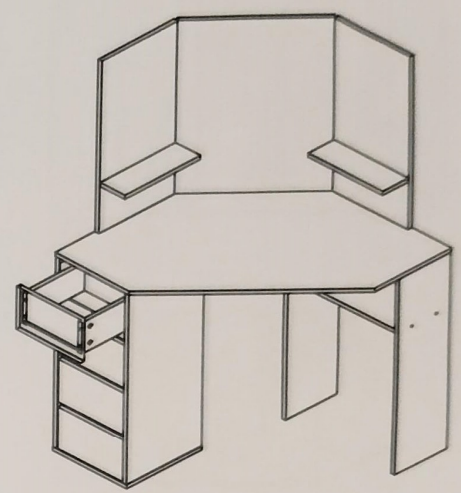
13

X4

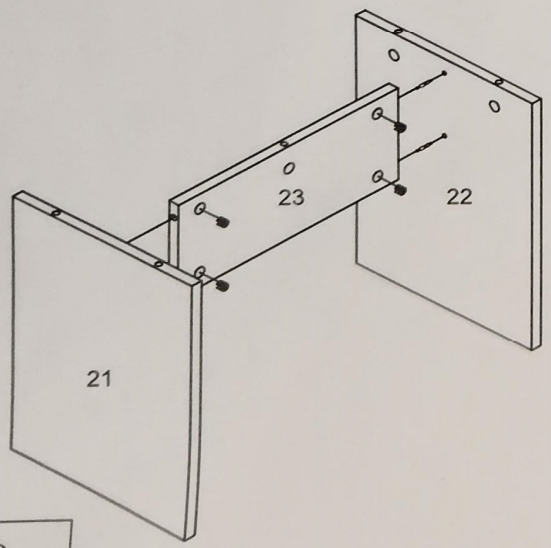




A	B	H	E	F
				
16x	16x	4x	16x	16x

14

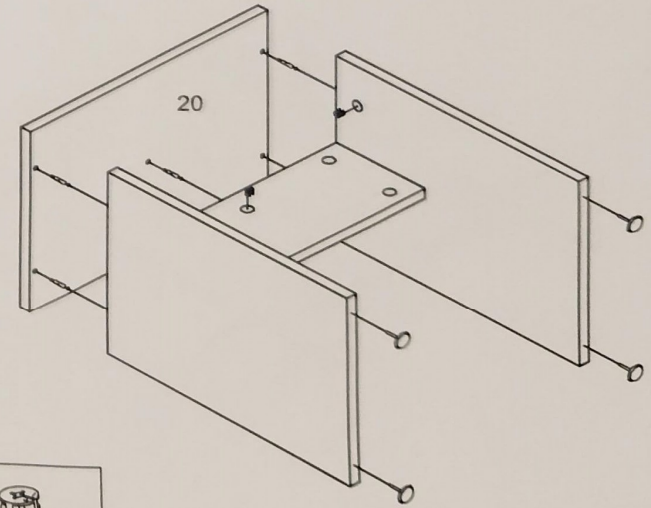


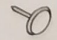


15



A	B
	
4x	4x

16



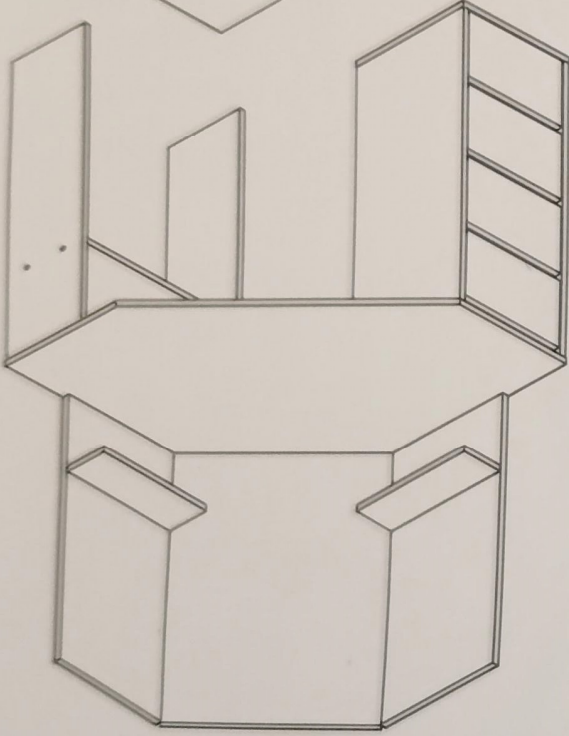
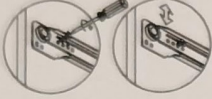
I	A	B
		
4x	5x	5x

8x

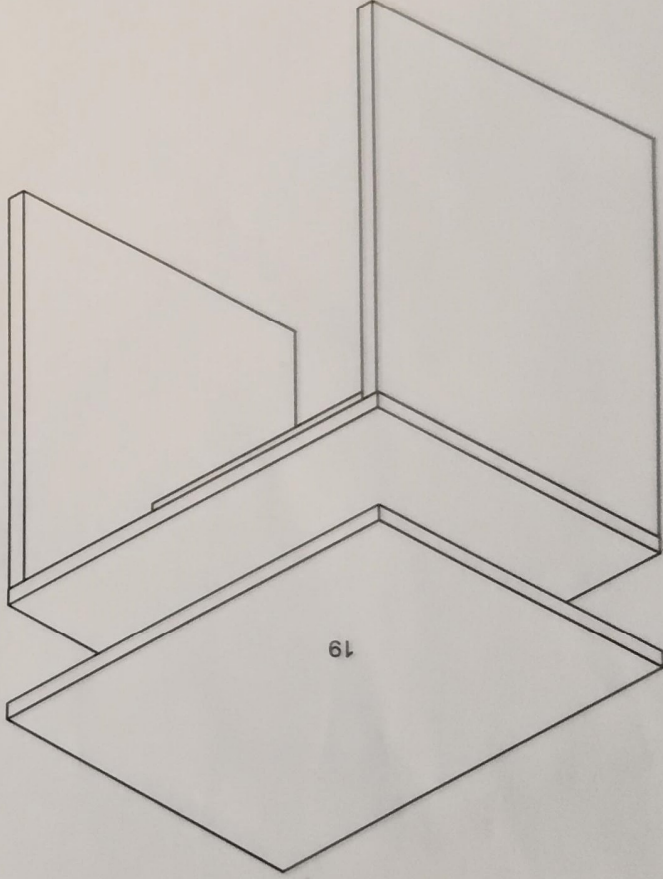


F

Tight the Third screw after drawer adjusted in a suitable location.



18



19

17