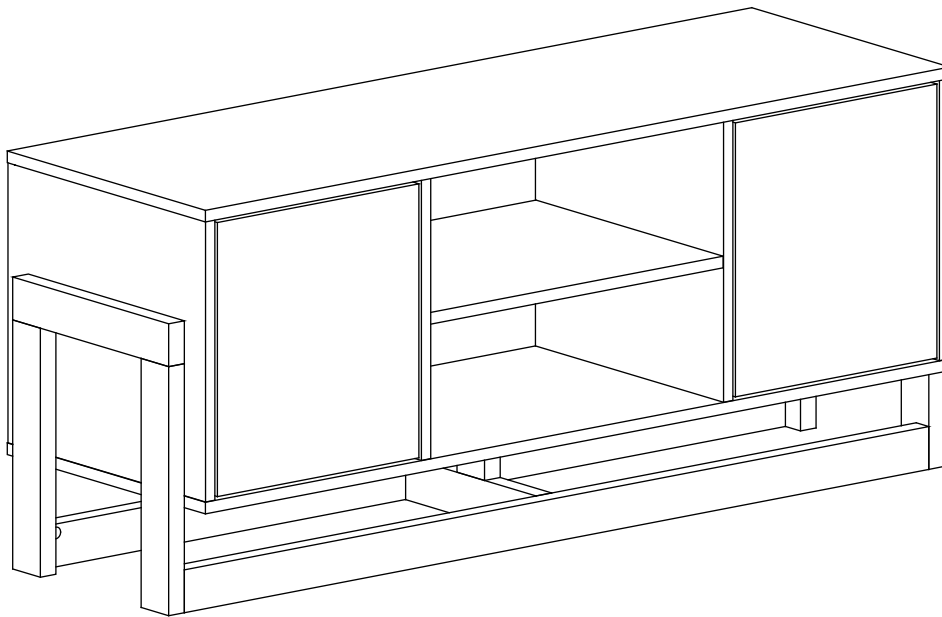


# TAITE - 2 DOOR TV CABINET

Thank you for purchasing the **TV CABINET**.  
Please read the instructions carefully to ensure safe operation of the product.



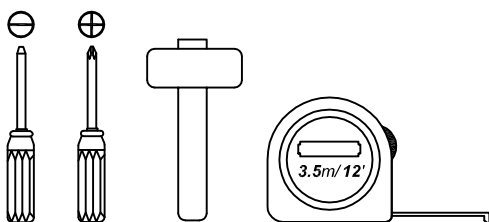
Size: (W)1240 x (D)395 x (H)525mm

**PLEASE READ** this sheet prior to assembly to familiarise yourself with the various stages of construction.

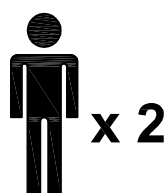
Carefully open the pack supplied and check the contents against the parts and fittings check list. Do not destroy any of the packaging until you are certain that you have all the necessary parts for the assembly.

**CAUTION:** There are small components used in the construction of this unit. These loose items should be kept away from young children whilst assembling your unit to avoid the danger of choking hazards.

## Tools Required



## Person Required



## Approximate Assembly Time



## **IMPORTANT - READ CAREFULLY - RETAIN THESE INSTRUCTIONS FOR FUTURE REFERENCE.**

### **INFORMATION**

- The maximum load capacity for each shelf is under **1kg**. Do not exceed this weight.
- Due to the size of this product we recommend that is assembled in the room intended for use.
- When you are ready to start, make sure that you have the right tools, plenty of space and a clean, dry area for assembly
- Unwrap all packaging materials and place the components on top of the carton box or on a clean floor to prevent it from scratching.
- Check the pack and make sure you have all the parts listed.
- Ensure that this product is fully assembled as illustrated before use.
- Check all screws or bolts are tightened and inspect regularly.
- This product should only be used on firm, level ground.
- Keep small parts out of reach of children.
- Make sure the legs remain in contact with the ground.
- Tools not included.

### **WARNINGS**

- DO NOT use power tools to construct this product.
- DO NOT over tighten screw or bolts.
- DO NOT use this product if parts are missing, damaged or worn.
- DO NOT stand or sit on this unit.
- We recommend the use of the wall safety bracket provided for safety reasons. N.B. Wall fixings suitable for a solid wall are included although the wall plug provided may not be suitable for other type of walls such as hollow walls. Fixings suitable for your wall type must be obtained separately..  
If in doubt please consult a qualified trade person. **Warning:** Always ensure the area to be drilled is free from hidden electrical wires, water and gas pipes.

### **CARE INFORMATION**

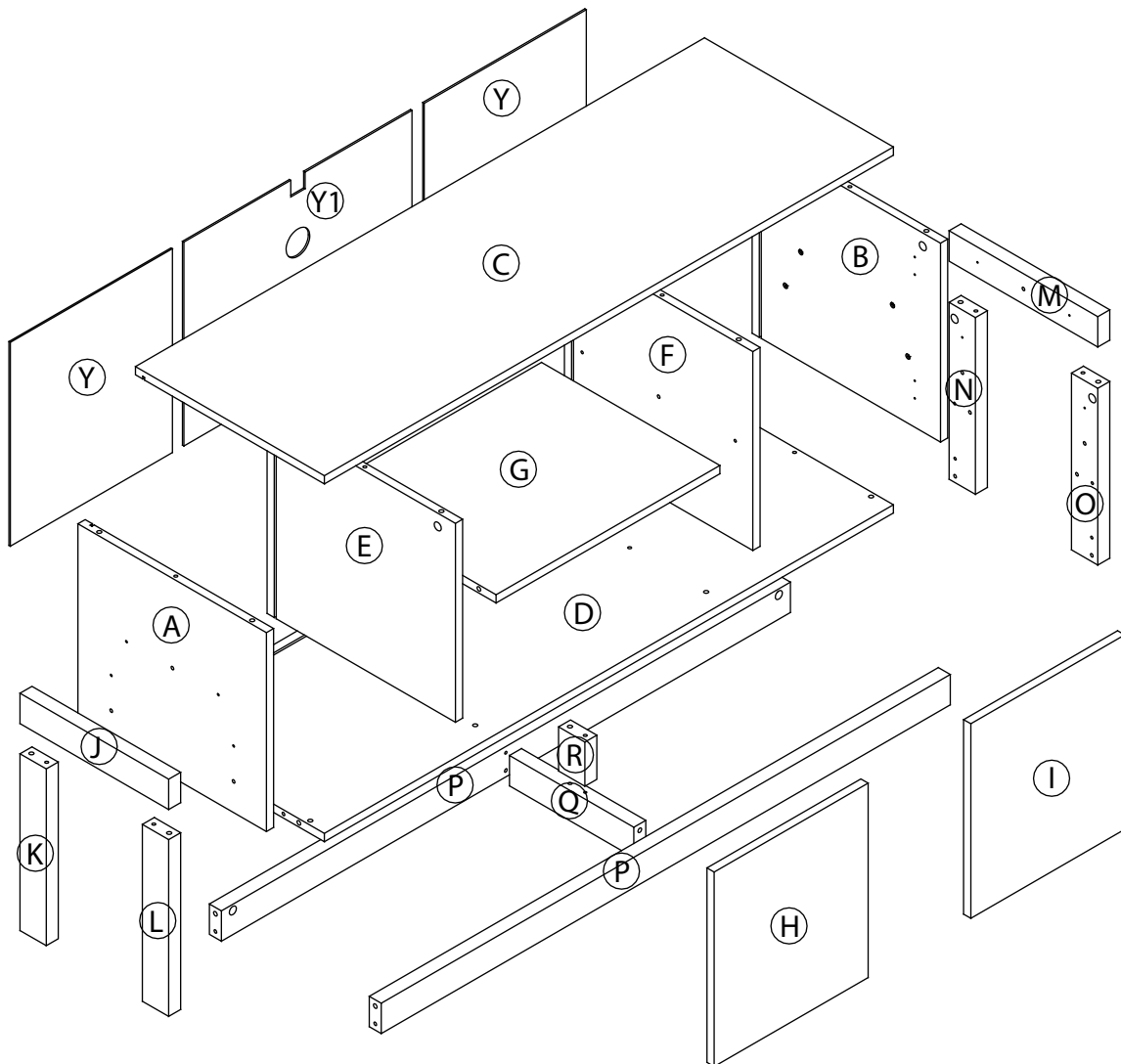
- Never use scourers, abrasives or chemical cleaners.
- To clean wipe with a sponge and soapy water. Do not use solvent based cleaners or detergents as they can bleach or damage the product.

Please check the pack contents before assembling the product. If any components are missing, please contact your retailer. The fittings pack contains small items that should be kept away from small children.

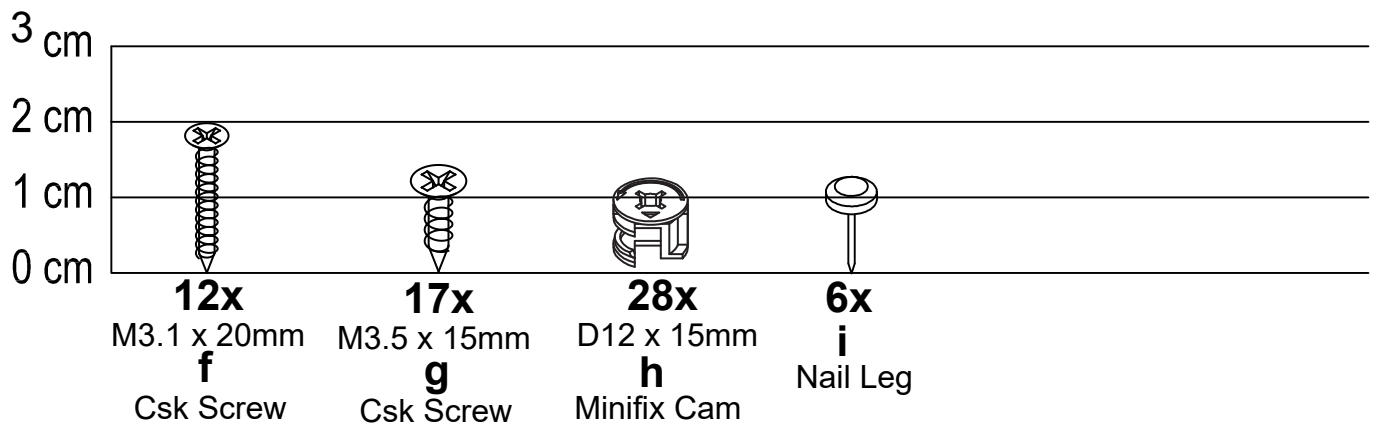
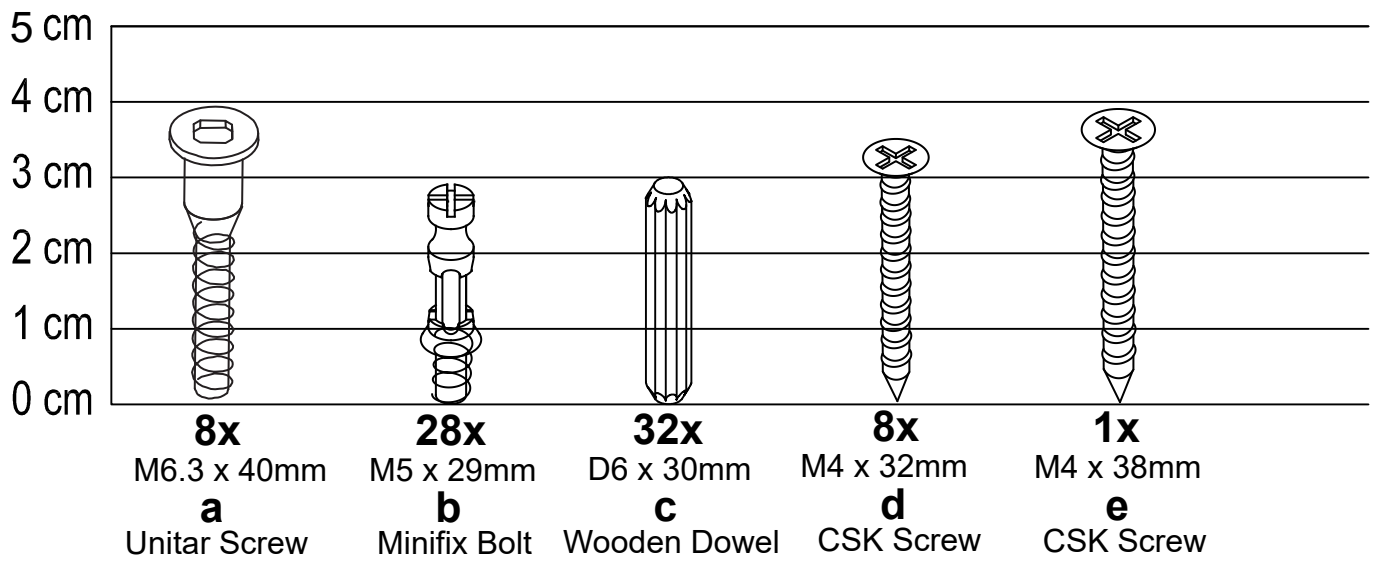
### Parts

CODE	PART NAME	QTY
A	Side Panel (L) (15 x 394 x 360mm)	1
B	Side Panel (R) (15 x 394 x 360mm)	1
C	Top Panel (15 x 395 x 1190mm)	1
D	Bottom Panel (15 x 395 x 1190mm)	1
E	Center Panel Left (15 x 394 x 360mm)	1
F	Center Panel Right (15 x 394 x 360mm)	1
G	Shelf Panel (15 x 373 x 468mm)	1
H	Door Panel Left (15x 322 x 352mm)	1
I	Door Panel Right (15 x 70 x 770mm)	1
J	Leg Support Left (25 x 55 x 311mm)	1

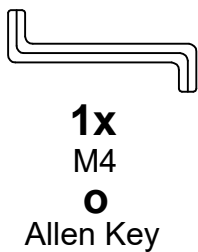
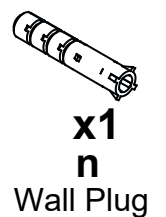
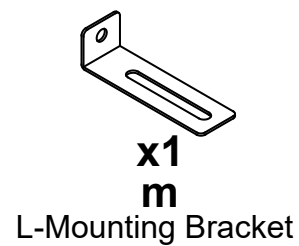
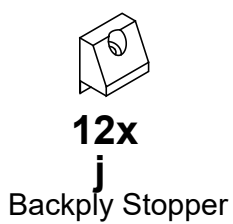
CODE	PART NAME	QTY
K	Leg Frame Left (25 x 55 x 320mm)	1
L	Leg Frame Left (25 x 55 x 320mm)	1
M	Leg Support Right (25 x 55 x 311mm)	1
N	Leg Frame Right (25 x 55 x 320mm)	1
O	Leg Frame Right (25 x 55 x 320mm)	1
P	Leg Support Bottom (25 x 55 x 1190mm)	2
Q	Center Leg Support (25 x 55 x 260mm)	1
R	Support Panel (Right) (25 x 55 x 80mm)	1
Y	Back Panel (2.5 x 369 x 339mm)	2
Y1	Back Panel (2.5 x 369 x 477mm)	1

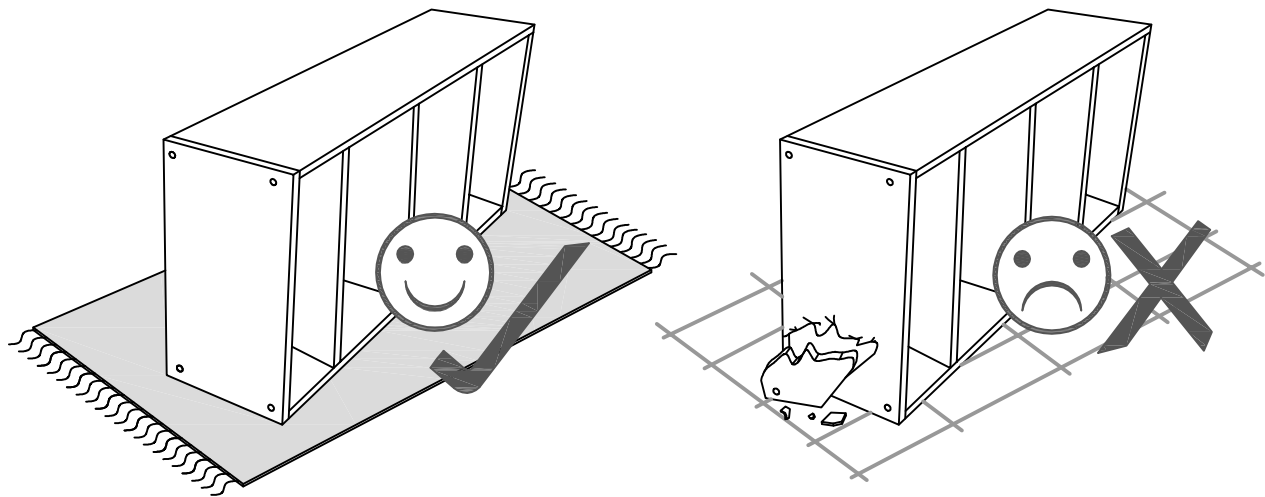


## Fixings (to scale)



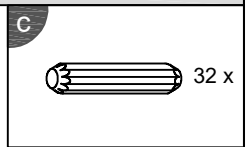
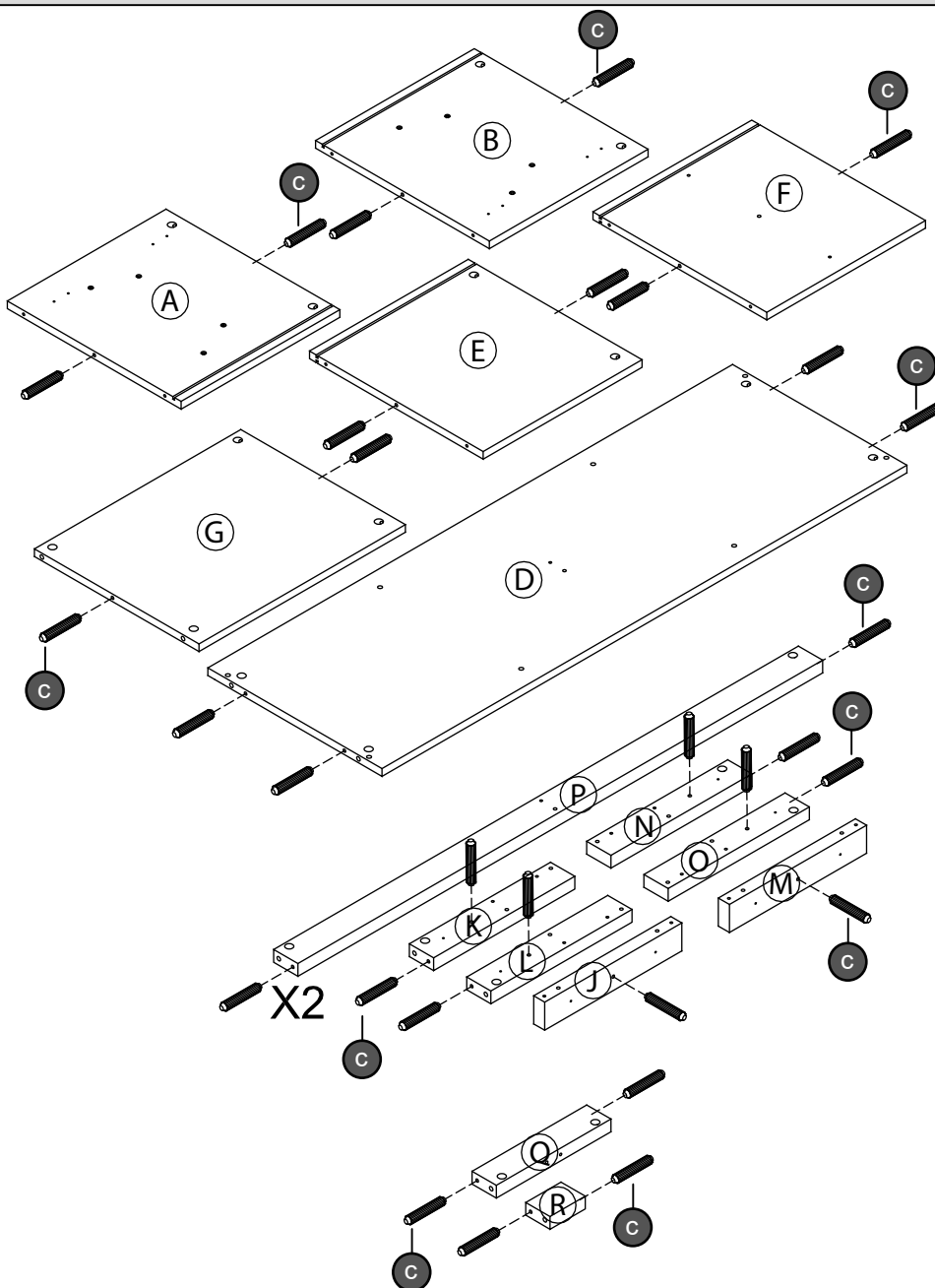
## Fixings (not to scale)





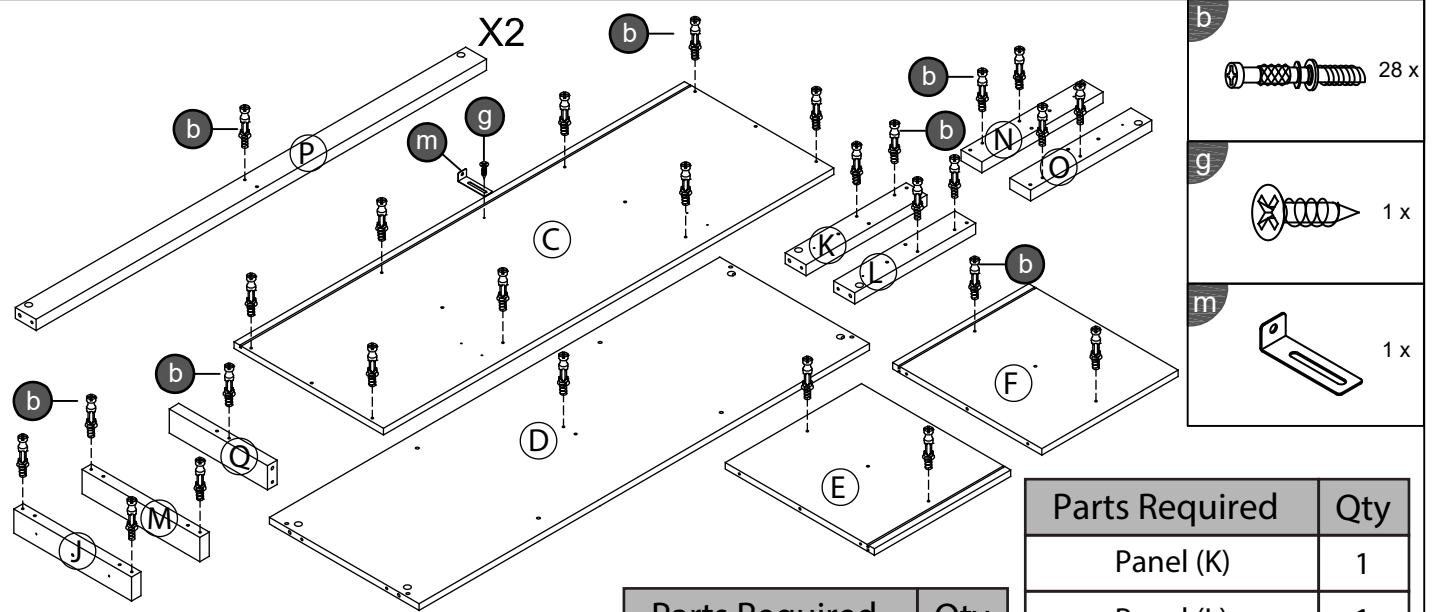
## Layout Parts on Soft Surface

### STEP 1

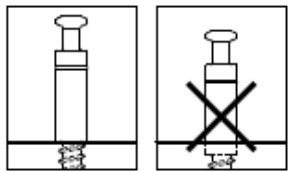


Parts Required	Qty
Panel (A)	1
Panel (B)	1
Panel (D)	1
Panel (E)	1
Panel (F)	1
Panel (G)	1
Panel (J)	1
Panel (K)	1
Panel (L)	1
Panel (M)	1
Panel (N)	1
Panel (O)	1
Panel (P)	2
Panel (Q)	1
Panel (R)	1

## STEP 2

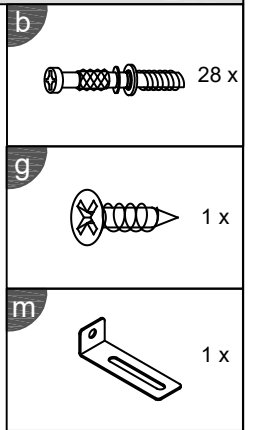


Don't screw too deep

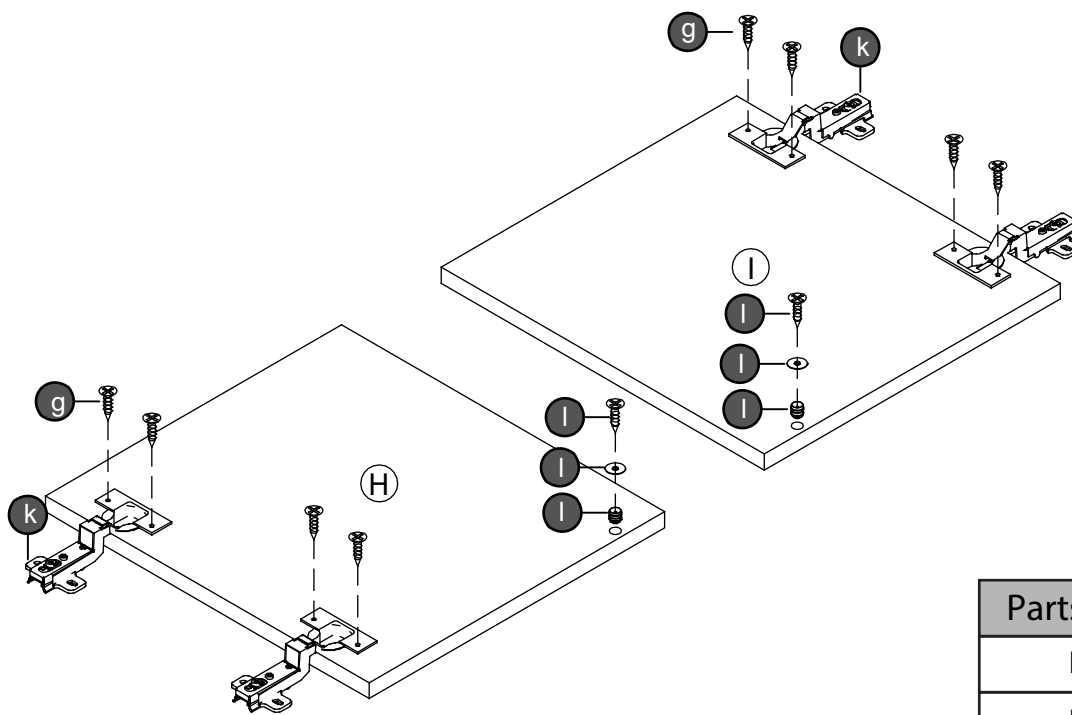


Parts Required	Qty
Panel (C)	1
Panel (D)	1
Panel (E)	1
Panel (F)	1
Panel (J)	1

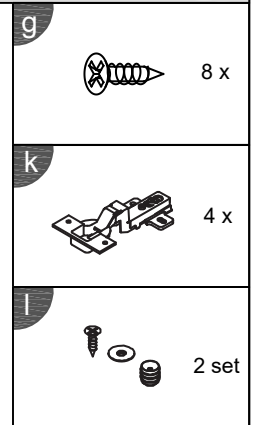
Parts Required	Qty
Panel (K)	1
Panel (L)	1
Panel (M)	1
Panel (N)	1
Panel (O)	2
Panel (P)	1
Panel (Q)	1



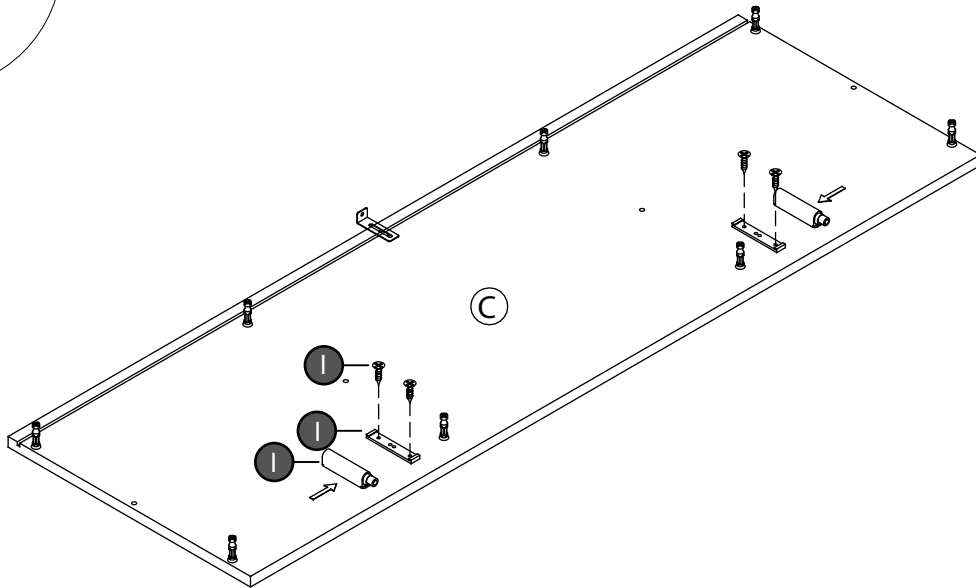
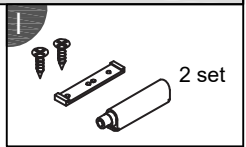
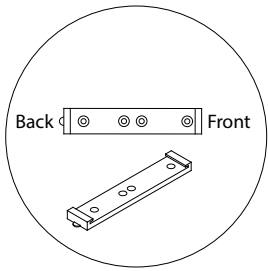
## STEP 3



Parts Required	Qty
Panel (H)	1
Panel (I)	1

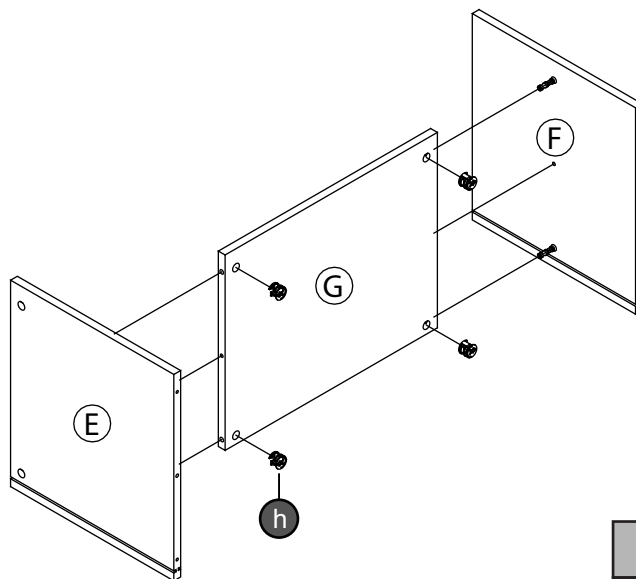
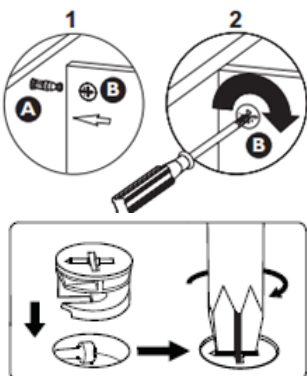


# STEP 4



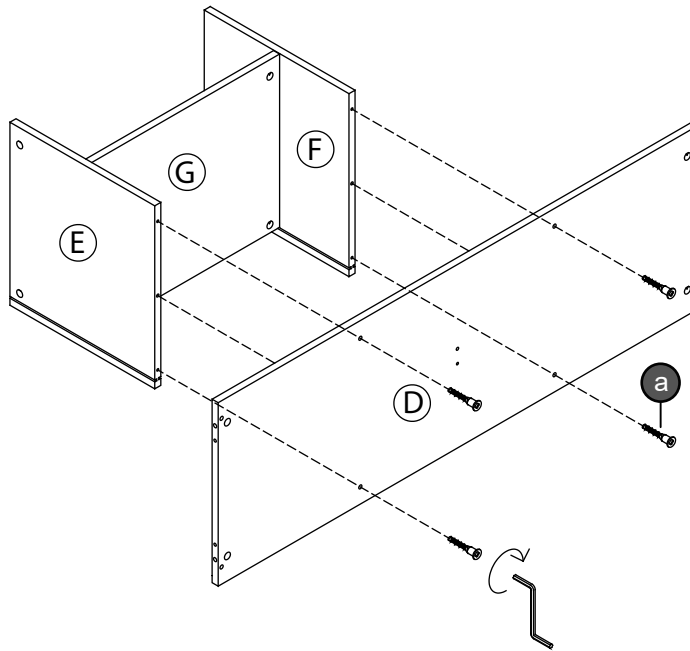
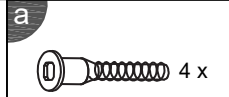
Parts Required	Qty
Panel (C)	1

# STEP 5



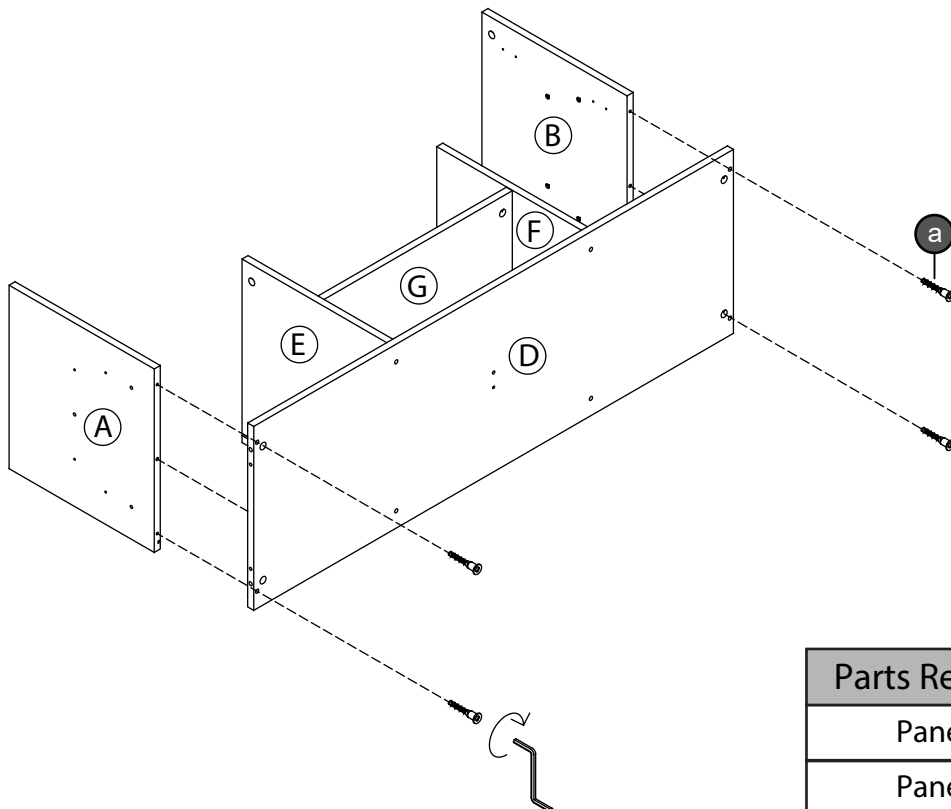
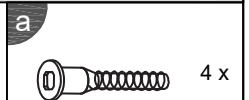
Parts Required	Qty
Panel (E)	1
Panel (F)	1
Panel (G)	1

## STEP 6



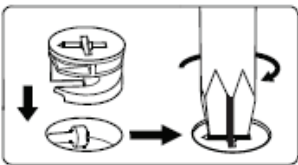
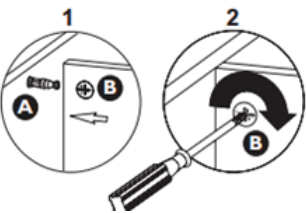
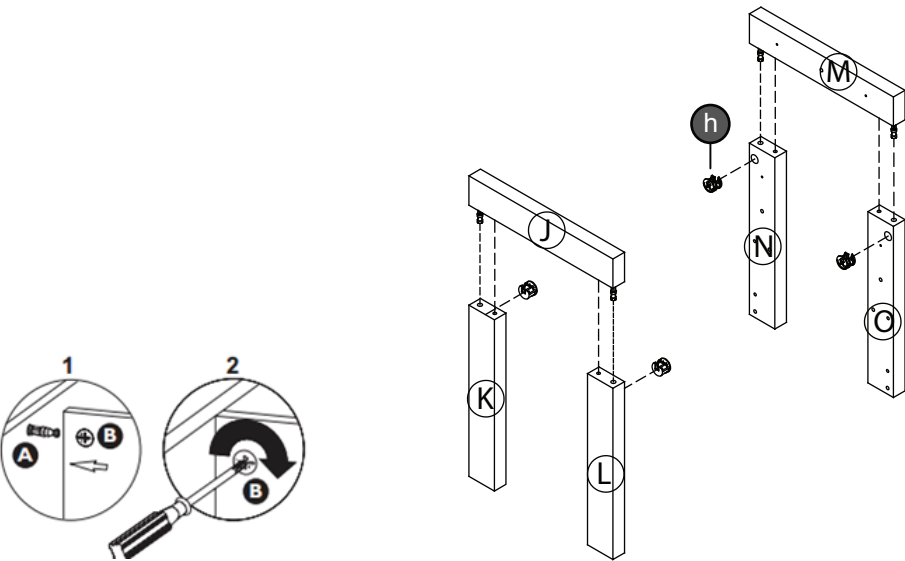
Parts Required	Qty
Panel (D)	1

## STEP 7



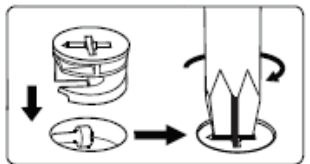
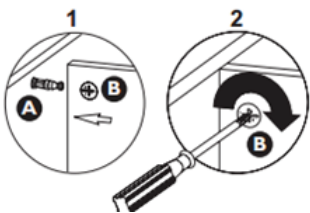
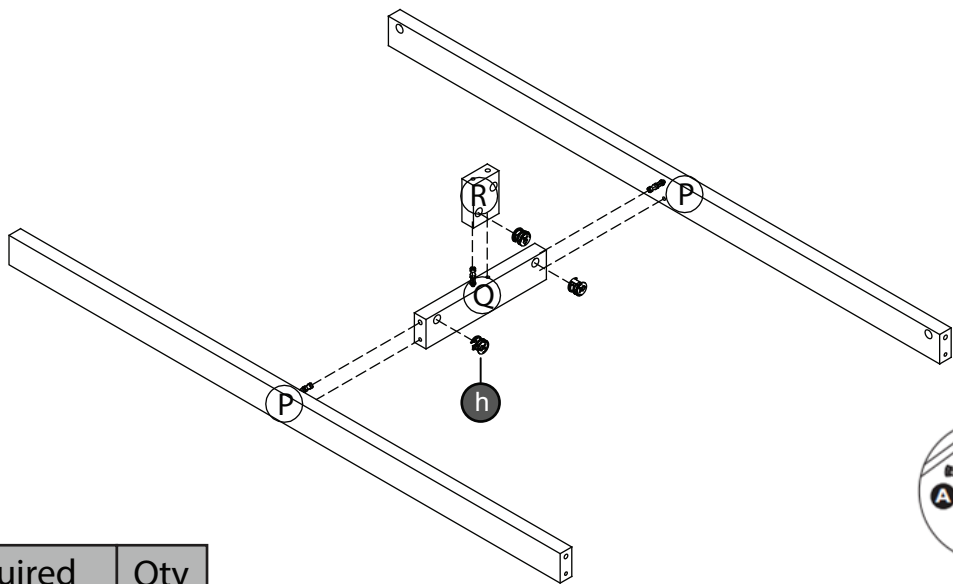
Parts Required	Qty
Panel (A)	1
Panel (B)	1

# STEP 8



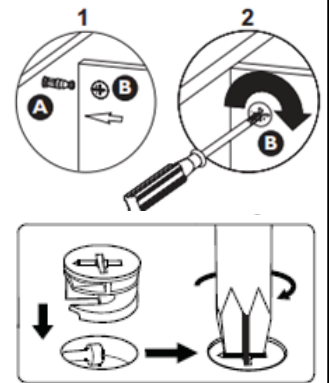
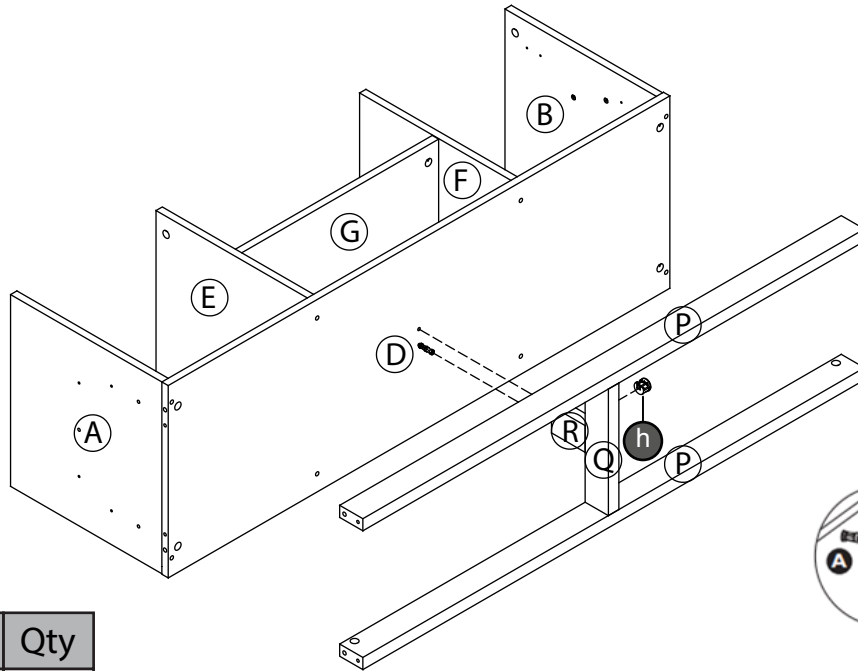
Parts Required	Qty
Panel (J)	1
Panel (K)	1
Panel (L)	1
Panel (M)	1
Panel (N)	1
Panel (O)	1

# STEP 9



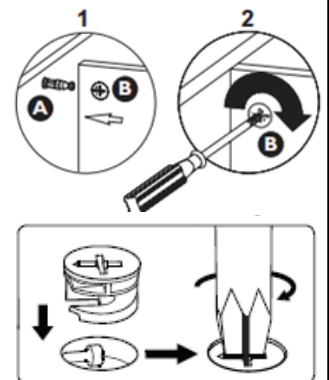
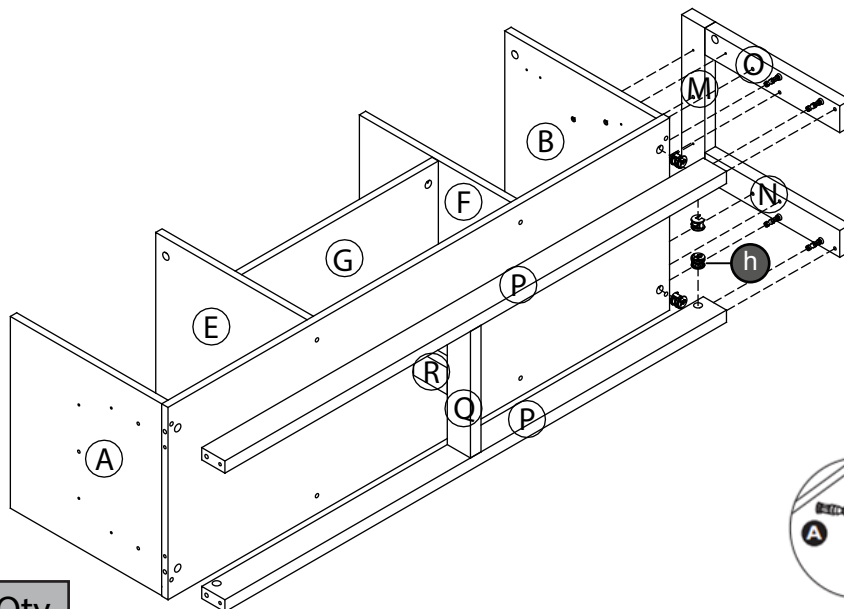
Parts Required	Qty
Panel (P)	2
Panel (Q)	1
Panel (R)	1

# STEP 10



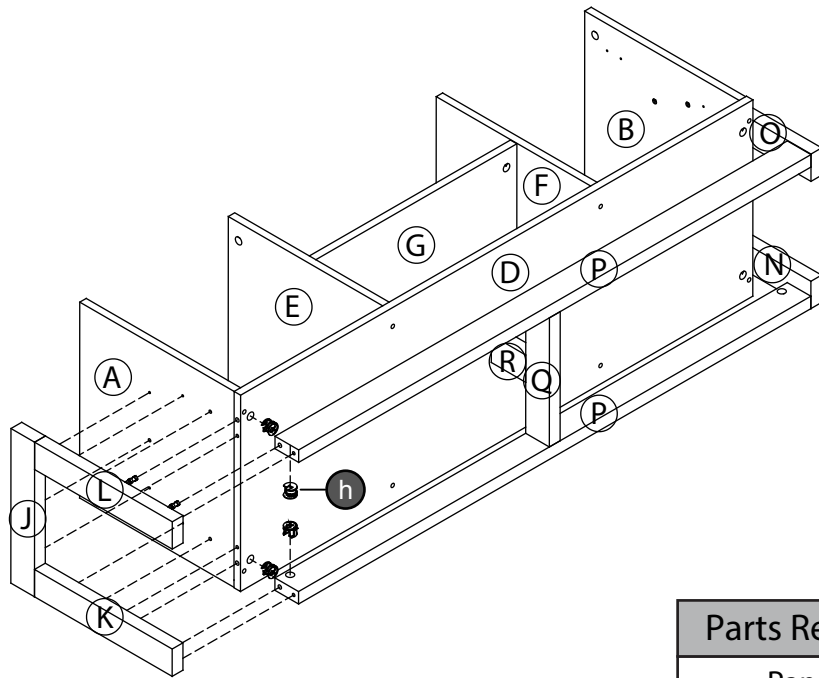
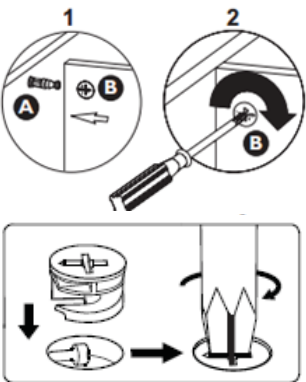
Parts Required	Qty
Panel (P)	2
Panel (Q)	1
Panel (R)	1

# STEP 11



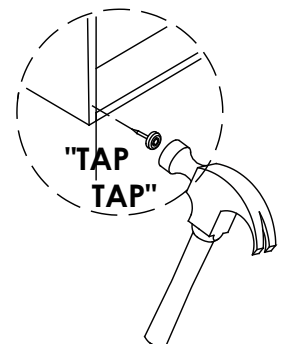
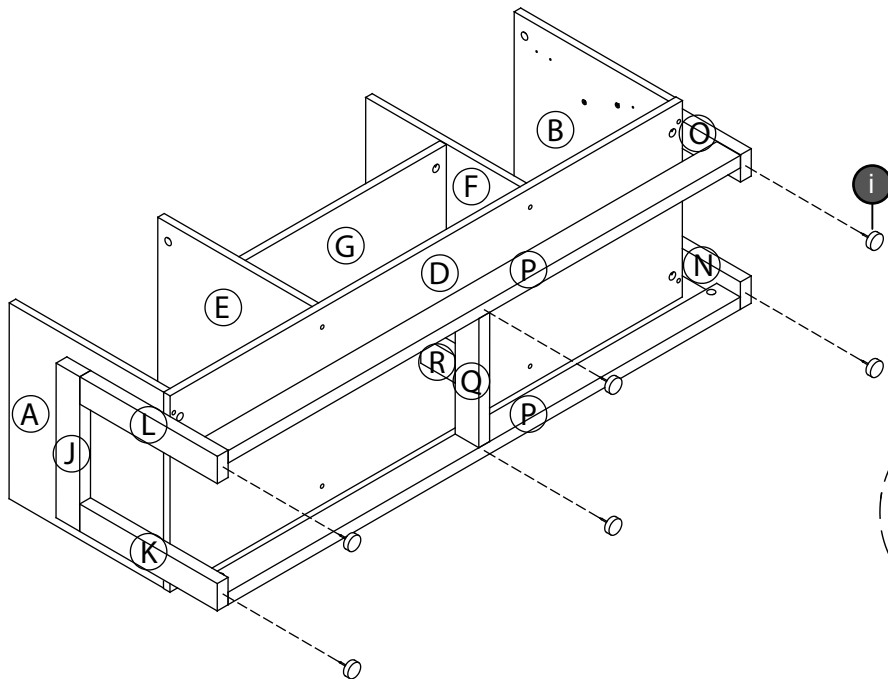
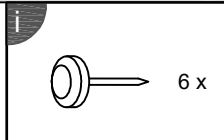
Parts Required	Qty
Panel (M)	1
Panel (N)	1
Panel (O)	1

# STEP 12

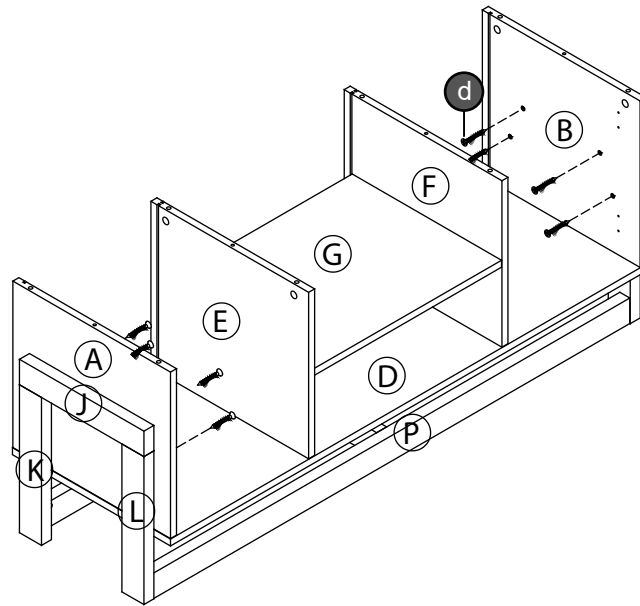


Parts Required	Qty
Panel (J)	1
Panel (K)	1
Panel (L)	1

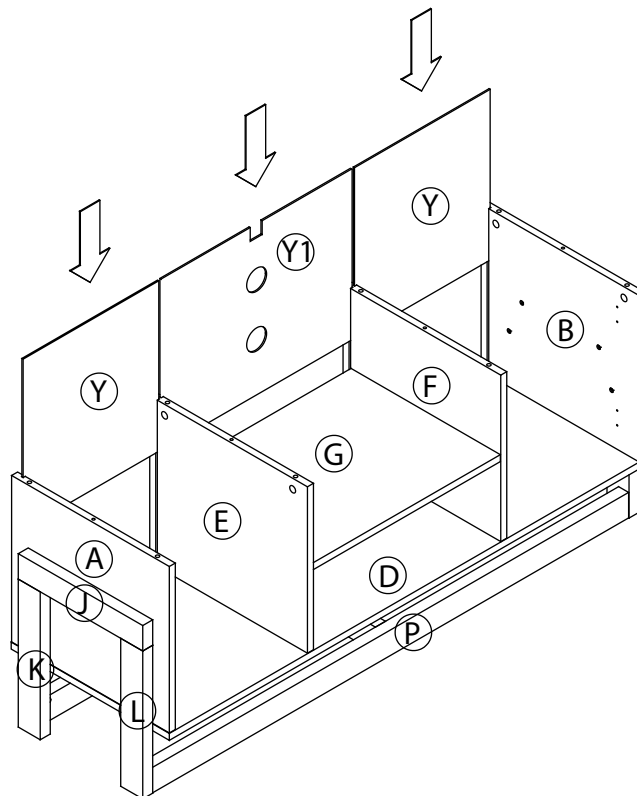
# STEP 13



STEP 14

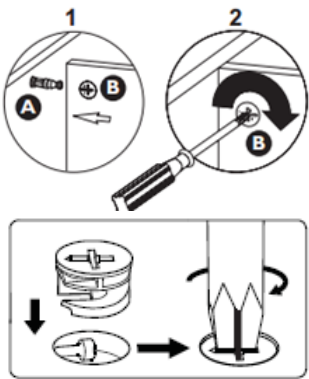
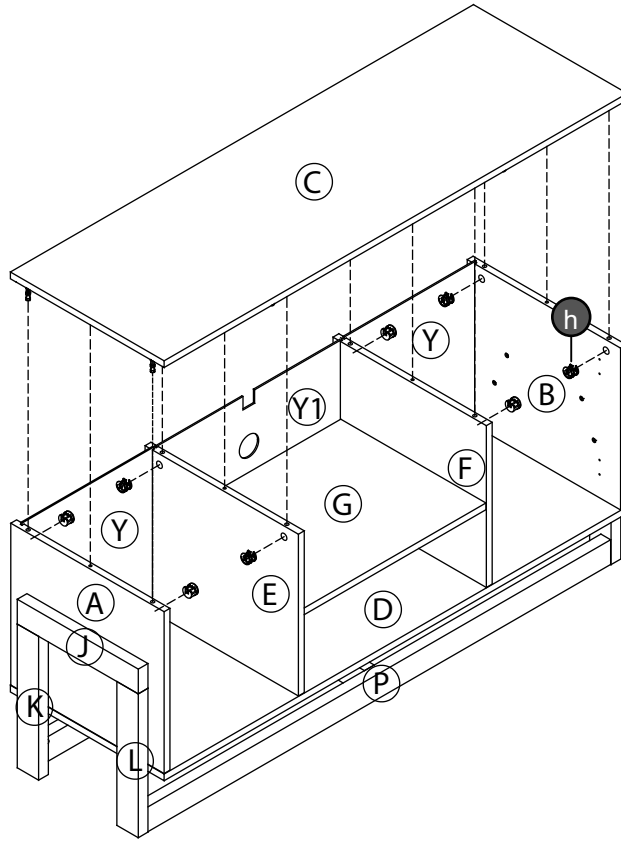


STEP 15



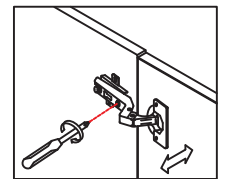
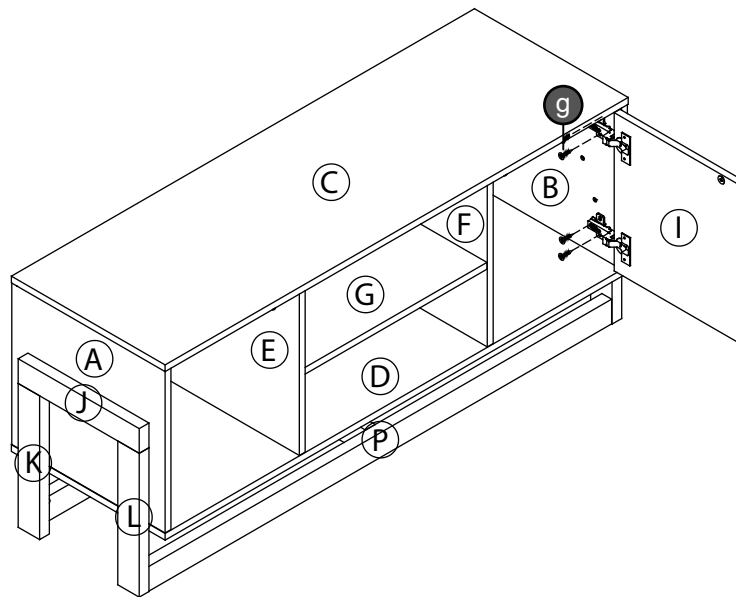
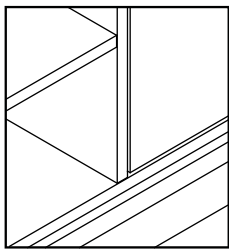
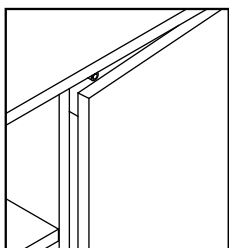
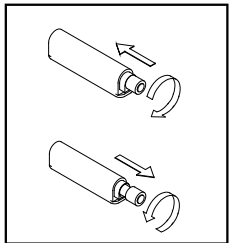
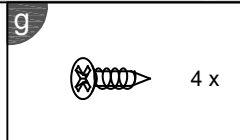
Parts Required	Qty
Panel (Y)	2
Panel (Y1)	1

# STEP 16

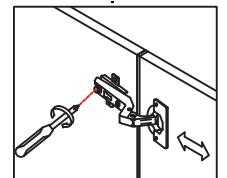


Parts Required	Qty
Panel (C)	1

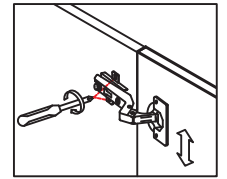
# STEP 17



A. Lateral adjustment



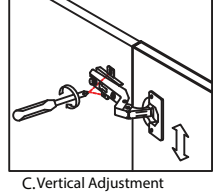
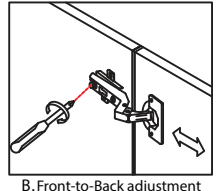
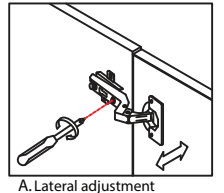
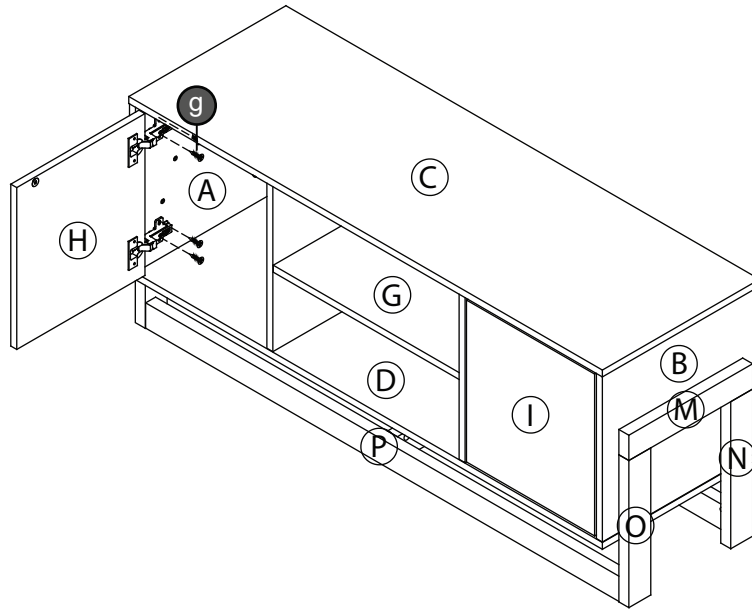
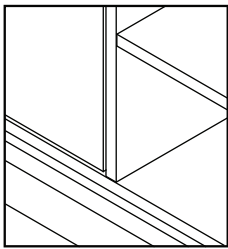
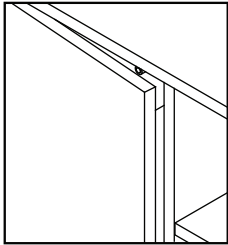
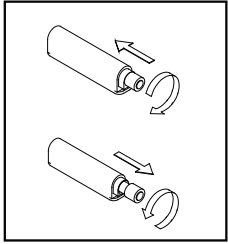
B. Front-to-Back adjustment



C. Vertical Adjustment

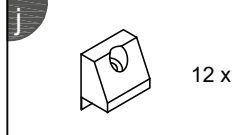
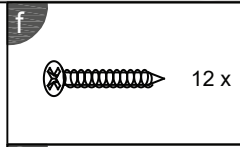
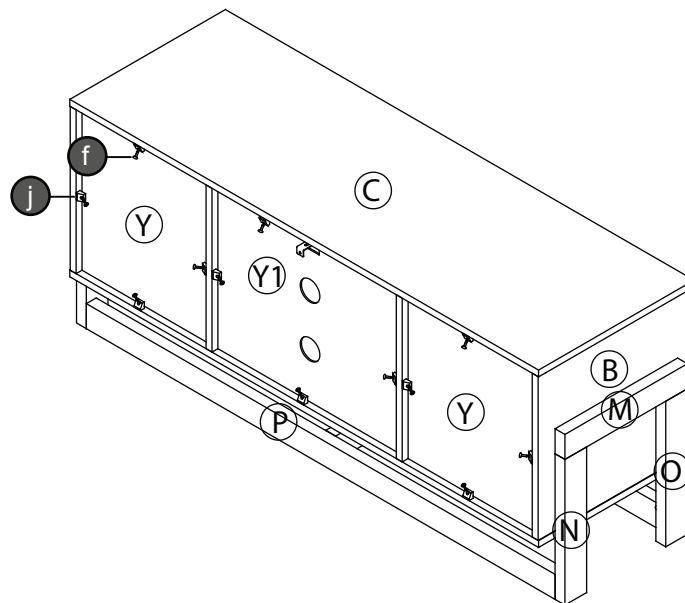
Parts Required	Qty
Panel (I)	1

# STEP 18

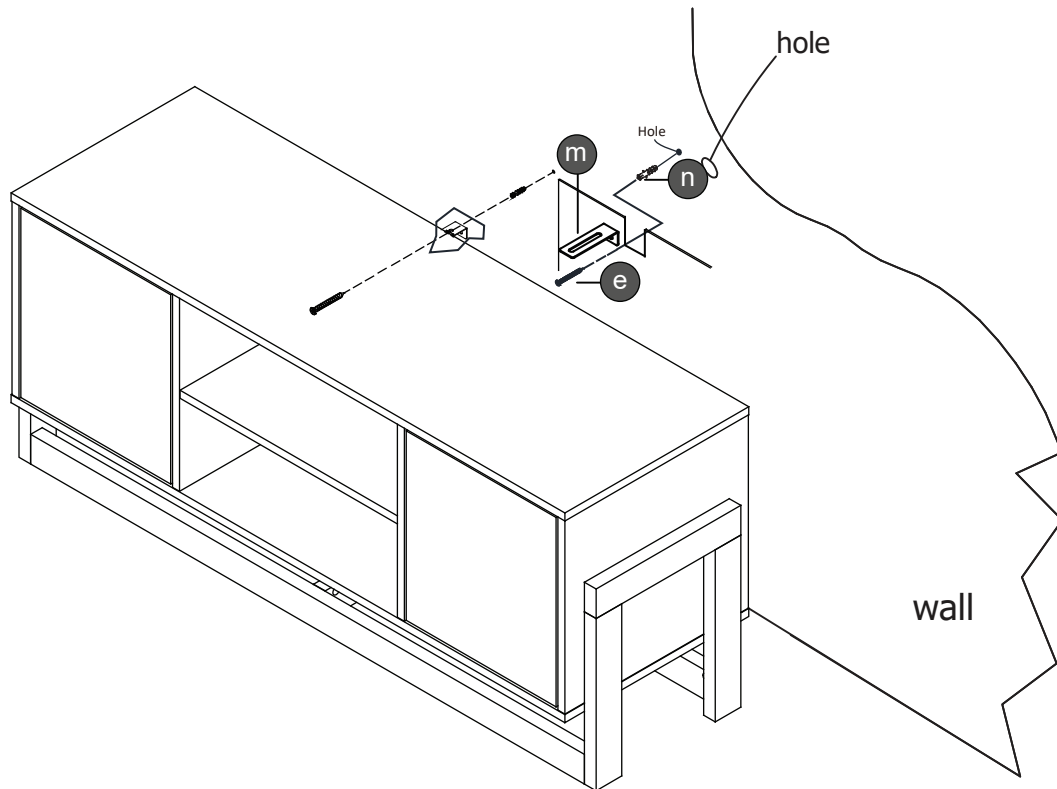


Parts Required	Qty
Panel (H)	1

# STEP 19



## FITTING OF L MOUNTING BRACKET

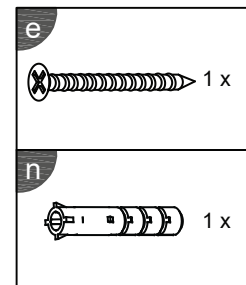


**NOTE :** The wall fixing plug supplied with this product is suitable for solid and brick walls .

For hollow and stud type walls fixing devices suitable for those type of walls must be obtained separately.

Please ensure the fixing is safe and secure before use and that the area to be drilled is free from hidden wires ,water & gas pipes.

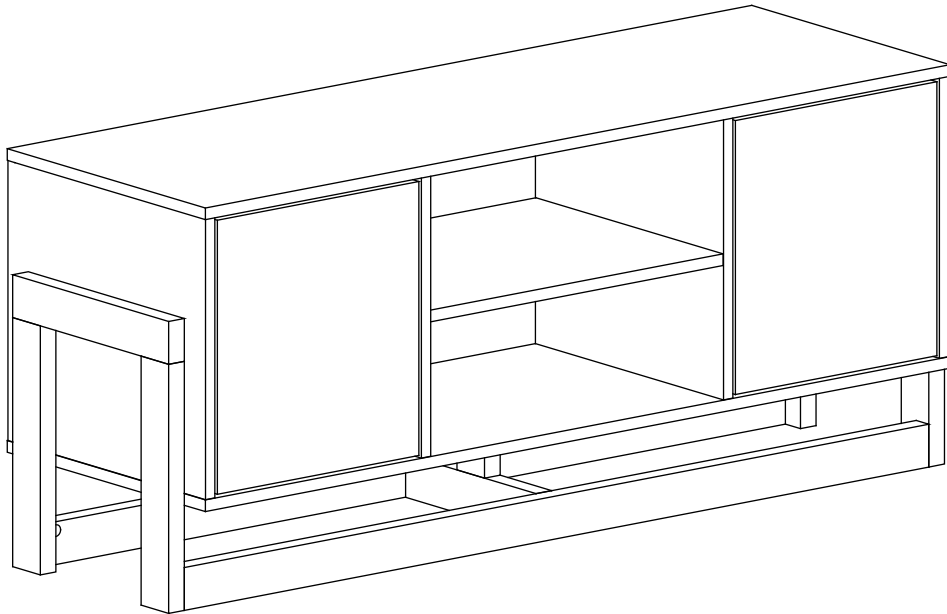
### HARDWARE LIST



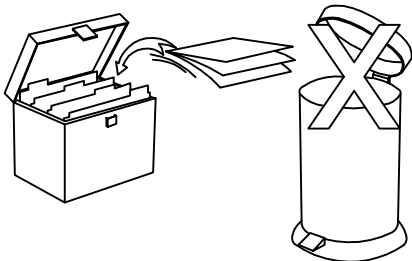
## Complete Assembly

Your **TAITE 2 DOOR TV CABINET** is now completely assembled

Periodically check to ensure that the components are in their proper position, free from damage. Also, make sure the connectors are tight and secure.



Keep instructions for future reference



Supplied By  
GFW The Furniture Warehouse  
Waterside Distribution Centre  
Waterside Business Park  
Johnson Road  
Lancashire  
BB3 3RT  
[www.gfwlimited.co.uk](http://www.gfwlimited.co.uk)