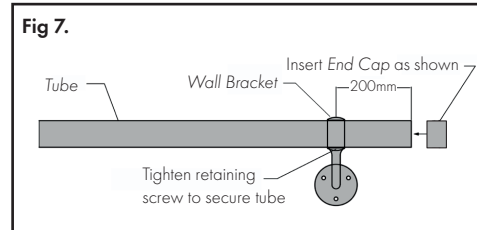
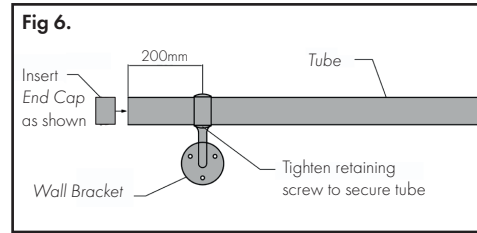


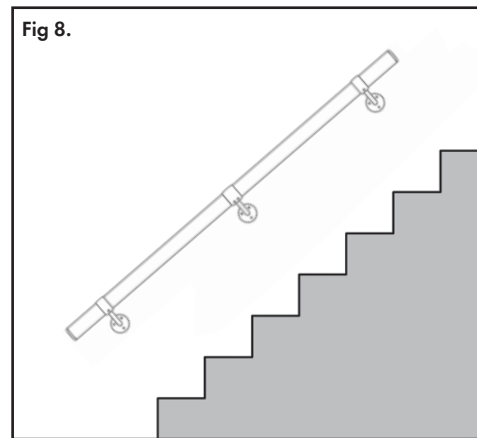
Step 5.

Making sure there is 200mm at either end of the handrail, use the Allen key to tighten the retaining screw. Repeat this on the other end of the rail to hold rail in place. Ensure screws are tight. To fit the End Caps push them on to either end of the rail until they are fully inserted. See Figs 6. & 7.



Step 6.

The handrail is now complete. See Fig 8.



WOODWORX
Quality Products • Simple Solutions

Installation Instructions

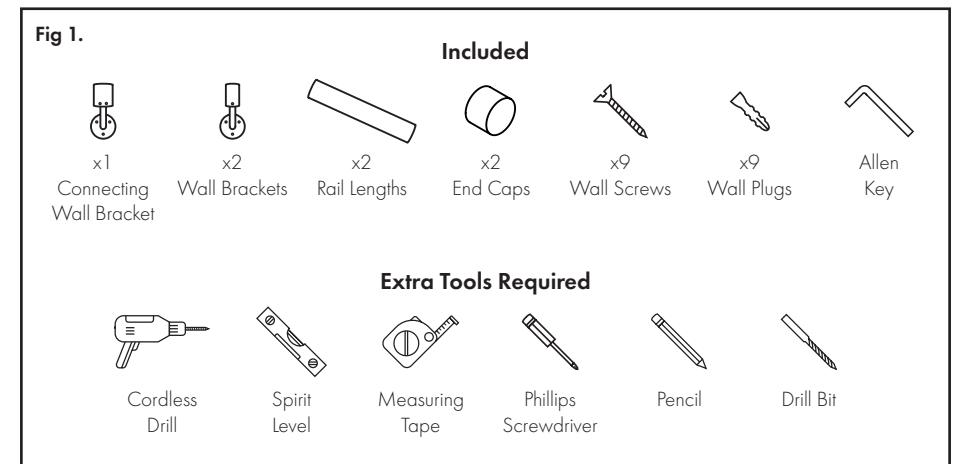
2.4M Handrail kit

Please retain for future reference.

Before you start please identify and check you have all the kitparts as shown in Fig.1.

IMPORTANT INFORMATION - PLEASE READ:

- Woodworx Handrail kits are designed for domestic internal use only.
- Before beginning installation ensure the wall surface is solid and in a sound condition.
- Wall plugs included are for use in solid masonry walls ONLY and may not be suitable for your application. Please ensure you use the correct wall plugs suitable for your application.
- Before drilling holes ensure NO pipes or cables located in the wall will interfere with installation.
- Rail should NOT be fitted to plasterboard partition.



If you require any further help or assistance with this item, please contact us at enquiries@insightretail.co.uk

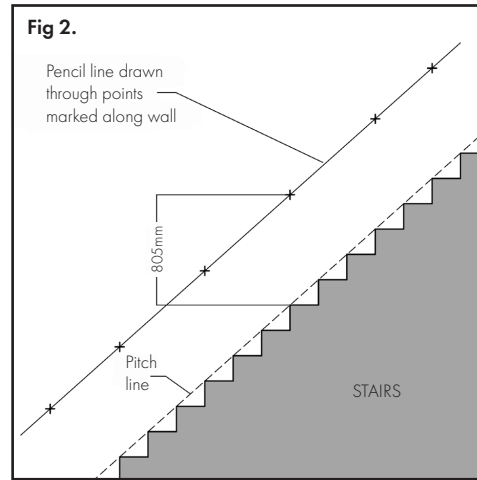
Registered Address: Suite 1, Amersham House, Mill Street, Berkhamsted HP4 2DT
EU Registered Address: 5, Fitzwilliam Square, Dublin 2, Eire

Step 1.

Mark the wall at regular intervals down the length of the stairs at a position 805mm vertically from the pitch line, as shown in Fig 2.

The use of a spirit level is advisable when measuring the vertical position.

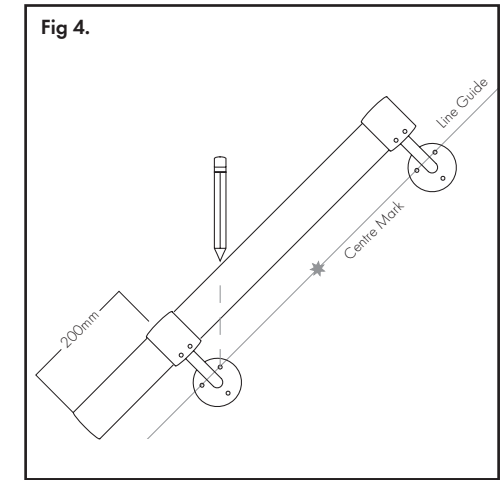
Using a straight edge draw a light pencil line through the marked points.



Step 3.

Place a length of handrail into the installed Connecting Wall Bracket. Position a Wall Bracket onto the end of the rail. Align the top two holes on the Wall Bracket with the line guide and measure 200mm from the end of the rail then mark all three fixing holes on the wall.

Repeat this on the opposite end of the rail.

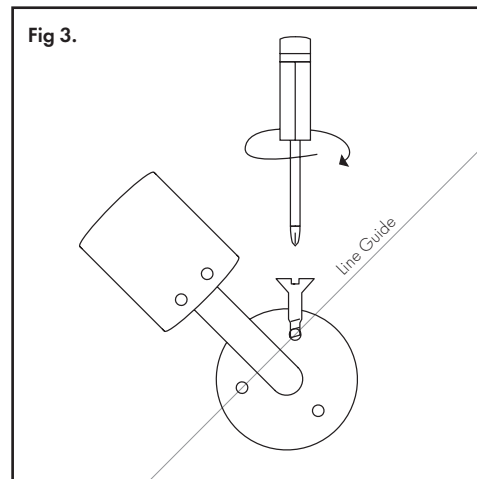


Step 2.

Locate the centre position of the handrail. Mark the three holes on the base of the Connecting Wall Bracket with a pencil. Top two holes should follow the line guide.

Using a drill, drill holes 50mm deep and insert wall plugs included.

Return the Connecting Wall Bracket to the wall and insert the screws checking they are tight.



Step 4.

Using a drill, drill all 50mm deep holes into the wall and insert wall plugs included. Re-insert the Rail and Wall Bracket onto the end of the rail and screw Connecting Wall Bracket to the wall ensuring screws are tight.

