



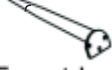

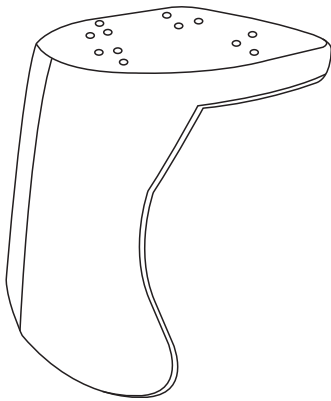


ASSEMBLY INSTRUCTION

	A  X1	B  X12	C  X1	D  X2 Front leg	E  X2 Back leg
---	--	---	--	--	---

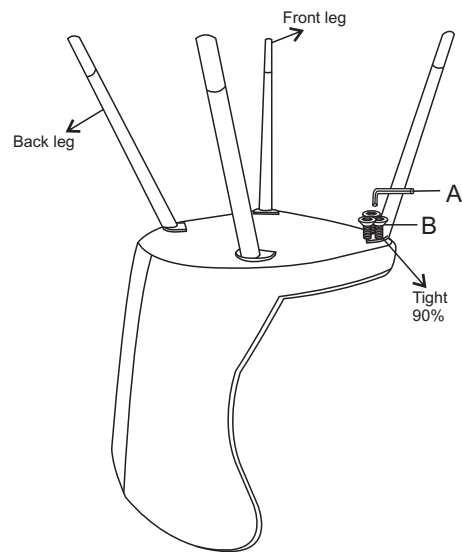
STEP1

Use of power tool will invalidate your claim



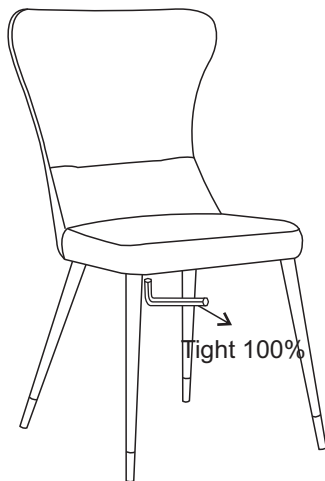
STEP2

Tighten the screws just **90%**



STEP3 *

Place the chair on a flat surface
Make sure the chair is stable
Tighten the screws to **100%**



STEP4

