

3+3 Sideboard

233 – B/C



90 min

Thank you for choosing this furniture.

BEFORE YOU START ASSEMBLY please store the carton at room temperature for 48 hours or more so the contents can acclimatise.

PLEASE RETAIN PACKAGING UNTIL YOU HAVE COMPLETED ASSEMBLY.

Information about your furniture.

Our furniture ranges have been carefully crafted from solid wood and natural wood veneers. Each piece of furniture has unique characteristics such as knots, variances and graining. These are part of the natural character of the furniture itself.

Caring for your furniture.

Extreme temperature can cause slight movements in the wood itself so please avoid placing your furniture close to radiators or other direct sources of heat. Humidity should also be avoided. Please avoid exposing your furniture to continued bright sunlight as it can affect the colour. Any fluid should be removed as quickly as possible. Always lift your furniture when moving, as dragging can cause damage to your furniture or flooring. Extreme changes in temperature & humidity during transit may result in a powder residue forming so silica gel bags have been included to alleviate this natural occurrence. This residue is harmless and can easily be removed before assembly with a damp cloth and mild detergent.

After care.

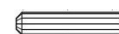
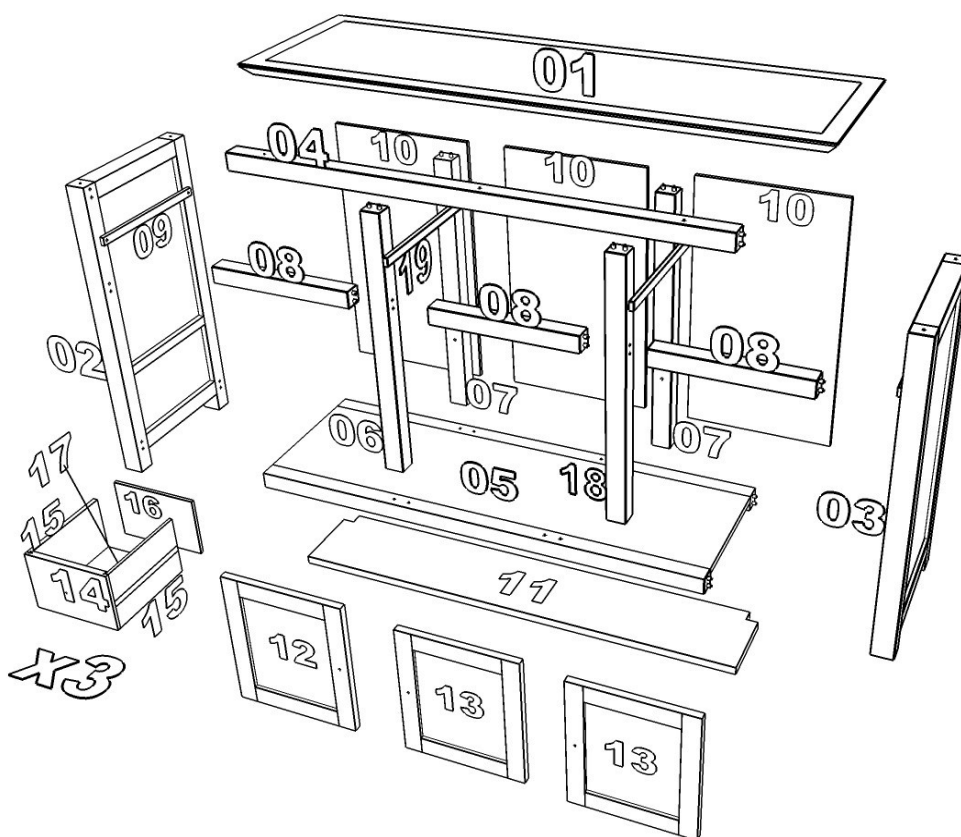
Wipe the surfaces with a dry cloth and an occasional use of normal household polish. We also recommend you use household spray polish occasionally on the drawer grooves and runners as this will aid use. Please do not use detergents or chemicals on your furniture.

Before you start assembly.

Please check that you have all the correct parts and fittings as detailed above. In the unlikely event of a part being damaged or missing please mark the component or part on the diagram below and email your retailer. Alternatively, email arisesunltd@gmail.com
Please provide the following information so that your request can be dealt with ASAP

* Name * Address * Post Code * Tel number * Batch number (to be found at the bottom left of this page)

PARTS LIST



A = x52
Dowel



B = x29
40mm Screw



C = x34
30mm Screw



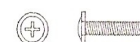
D = x40
Nail



E = x3
Mag. Catch



F = x24
15mm screw



H = x3
25mm Bolt



Q = x6
15mm Bolt



P = x3
Handle



G = x3
Knob

Additional parts only applied to model with skirting board

375

375

1180



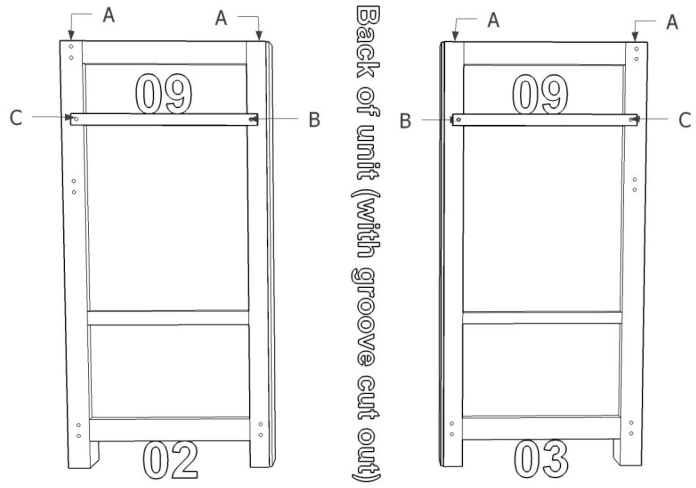
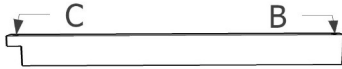
B = x4
40mm Screw



N = x2
60mm Screw

Batch No.

1



A = x4
Dowel



B = x2
40mm Screw

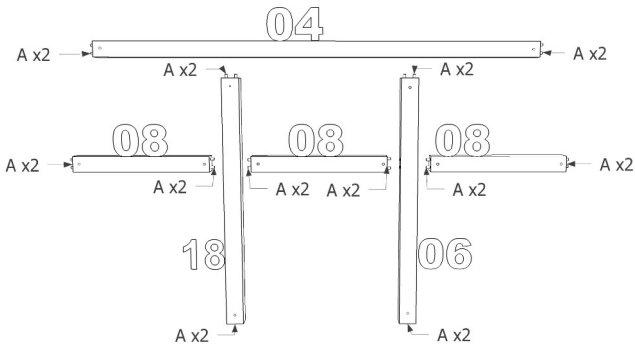


C = x2
30mm Screw

Tip: during assembly
place unit onto a work
surface with a clean cover

Back of unit (with groove cut out)

2

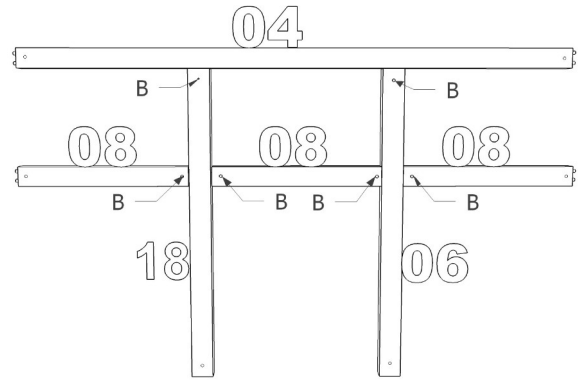


Front frame seen from the back



A = x24
Dowel

3

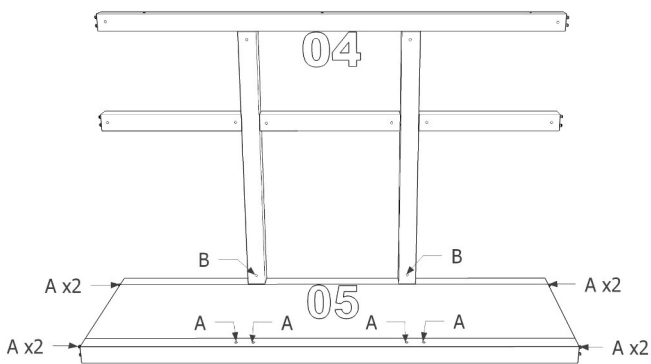


front frame,
seen from the back



B = x6
40mm Screw

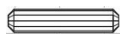
4



Back of unit



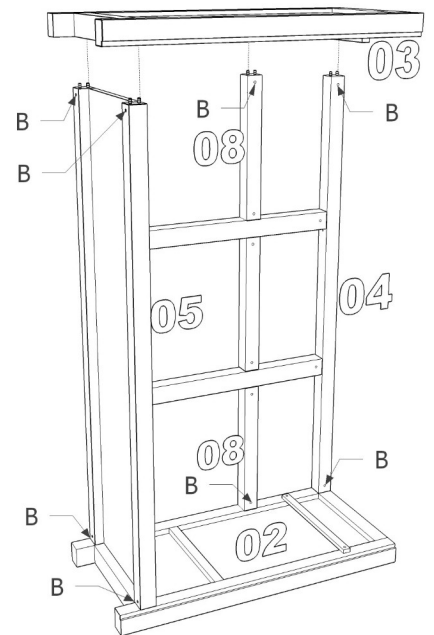
B = x2
40mm Screw



A = x12
Dowel

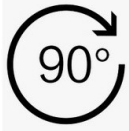
5

Tip: during
assembly
place unit
onto a work
surface with
a clean cover



B = x8
40mm Screw

6



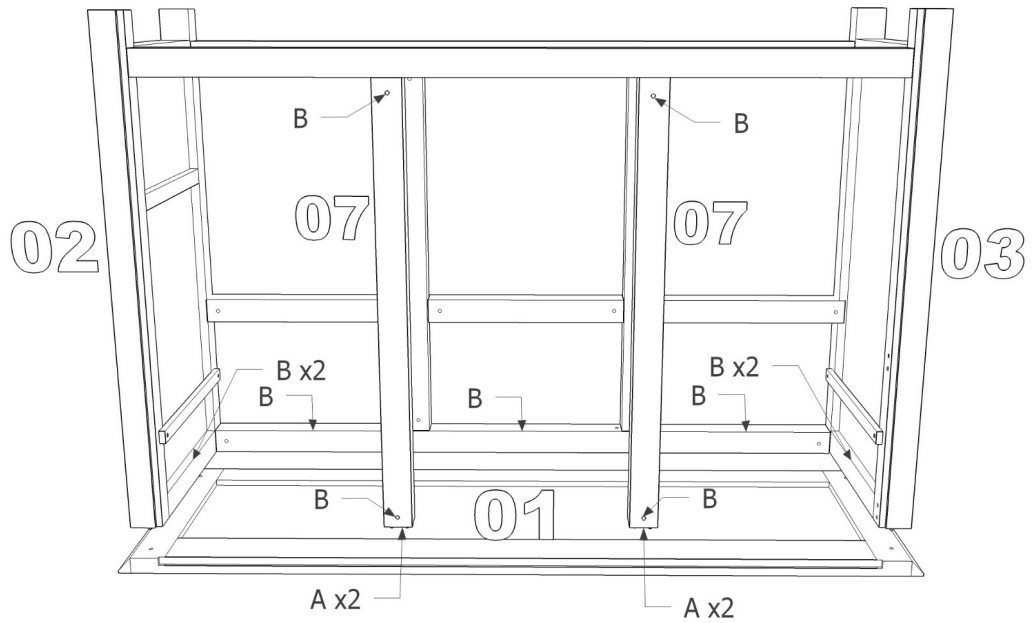
Tip: during assembly place unit onto a work surface with a clean cover



A = x4 Dowel

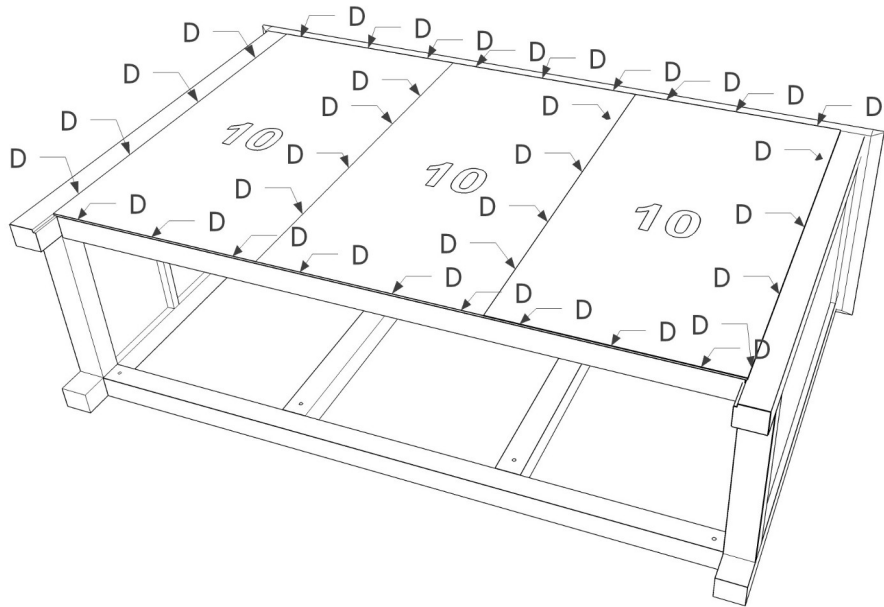


B = x11 40mm Screw



7

Tip: Place top of unit over the edge of the work surface to ensure the top does not mark during assembly



D = x40 Nail

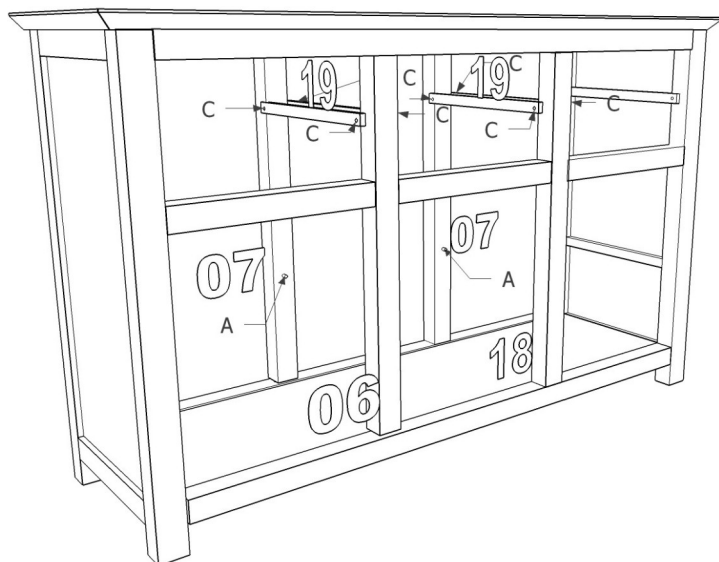
8



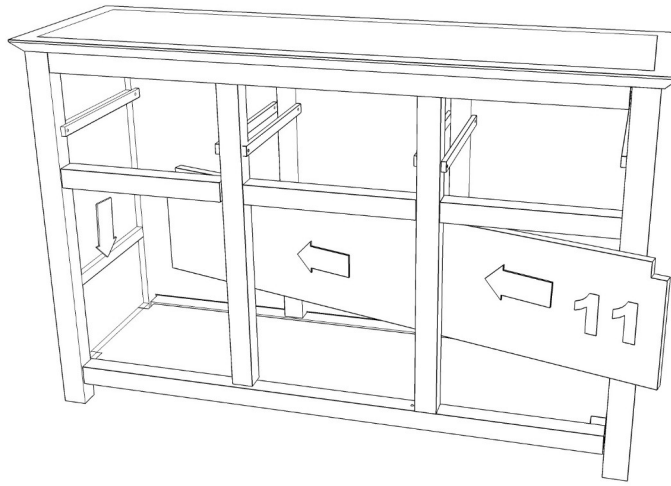
A = x2 Dowel



C = x8 30mm Screw



9



10



H = x3
25mm Bolt



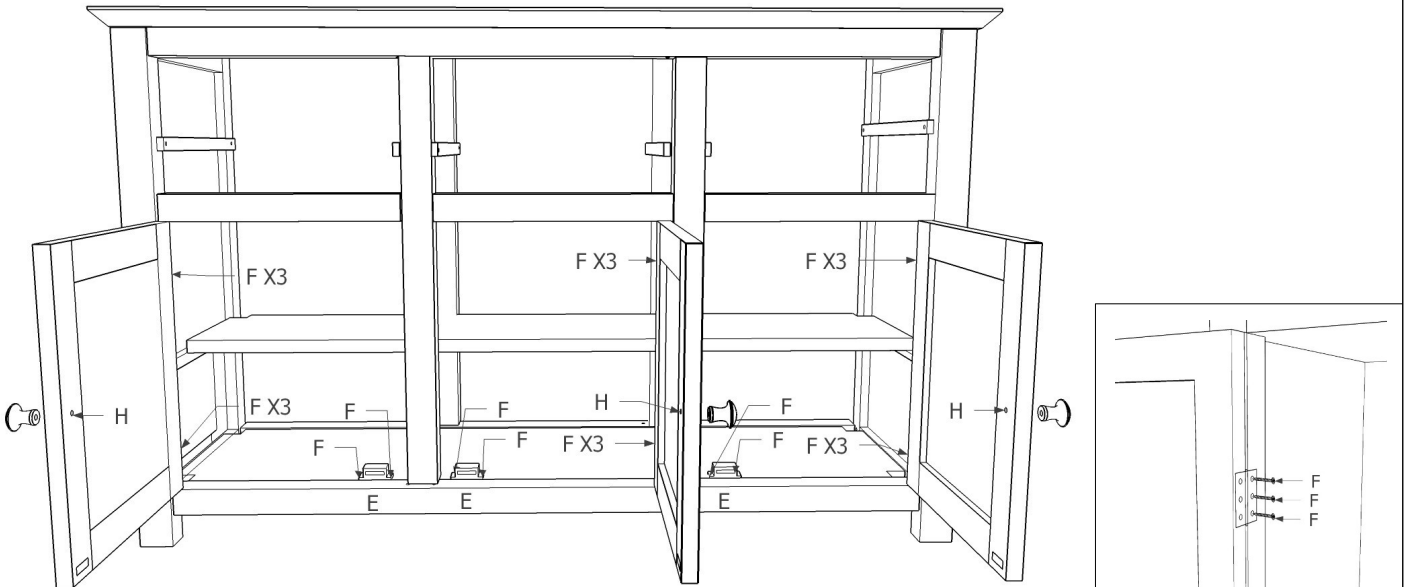
G = x3
Knob



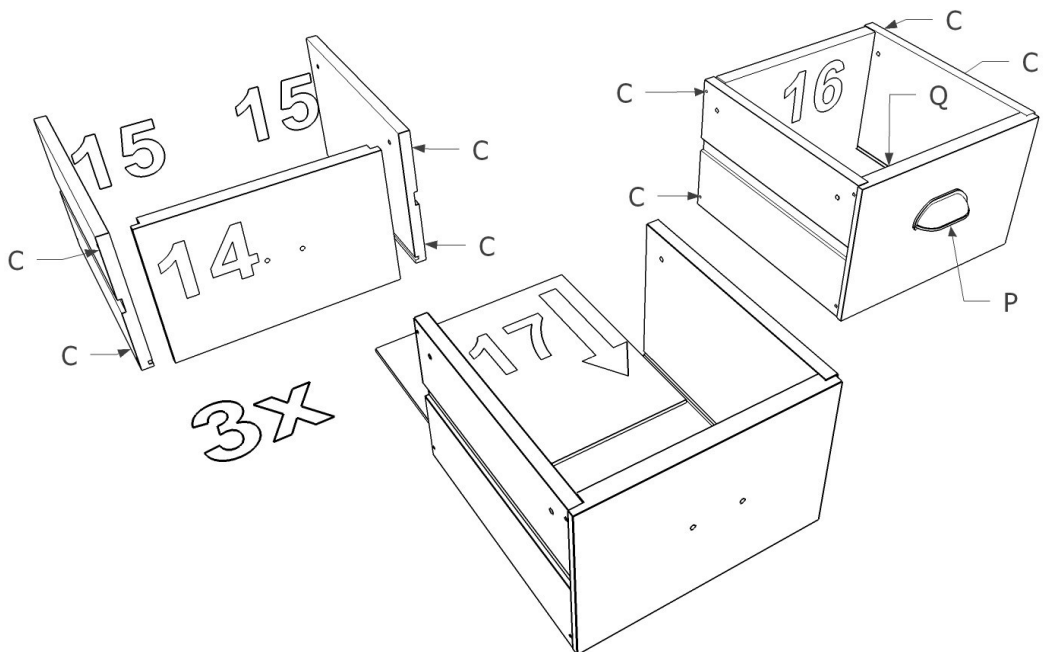
F = x24
15mm Screw



E = x3
Mag. Catch



11



Q = x6
15mm Bolt



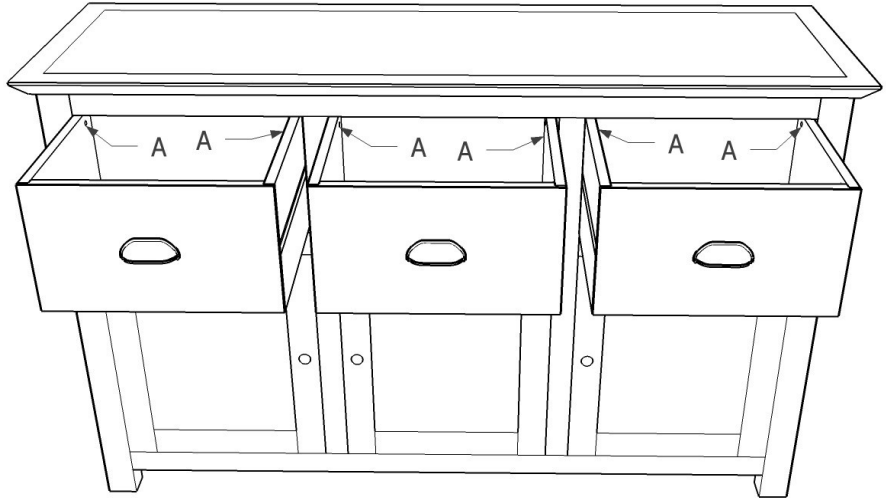
P = x3
Handle



C = x24
30mm Screw

12

Tip: insert dowels from the inside of the drawers, pushing through so they sit level with the inside of the drawer side.
Repeat for all drawers



A = x6
Dowel

Extra step only applicable for model with a skirting board

13

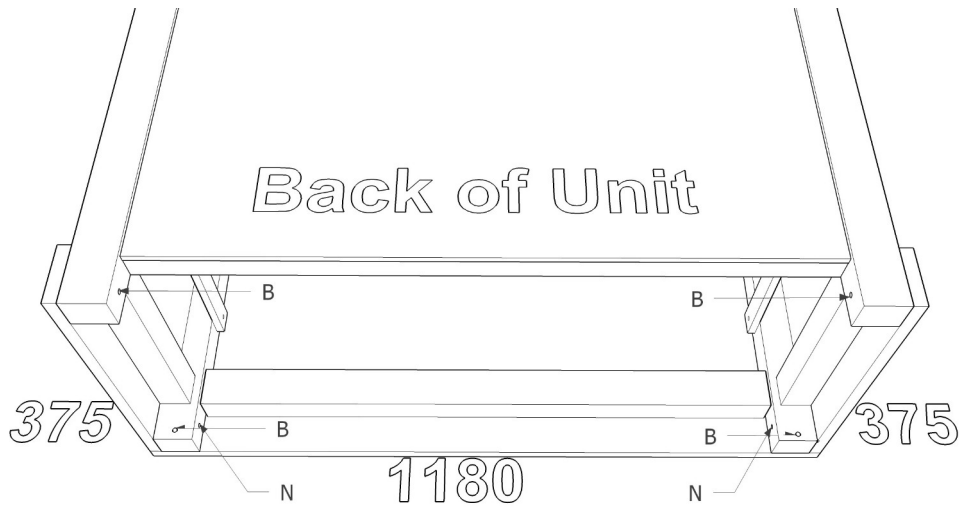
Back of Unit



B = x4
40mm Screw



N = x2
60mm Screw







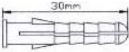
WARNING! TIPPING HAZARD – Unanchored furniture can tip over

WARNING: CHECK FOR HIDDEN PIPES AND CABLES BEFORE DRILLING.

IMPORTANT: IF YOUR WALLS ARE NOT SOLID LIKE BRICK OR STONE, YOU WILL REQUIRE SPECIALIST FITTINGS (NOT SUPPLIED)

- Place fixing strip against the wall and mark position for drilling hole.
- Drill hole in your wall to a depth of 30mm using a 6mm drill bit. If the surface of your wall is soft and crumbly, we would advise you to use a 5mm drill bit for a tighter fit.
- Insert plug into hole with end flush to the wall surface;
- Attach fixing strip to the wall using the 25mm screw + washer and securely tighten;
- Pre-drill small pilot hole on the back edge of the furniture top using a 2mm drill bit. Attach the other end of the fixing strip to the back edge of the furniture top using the 15mm screw + washer and securely tighten.

14

 C = x1 30mm Screw
 X = x1 15mm Screw
 Z = x2 Washer
 Y = x1 Wall Tie
 W = x1 Wall Plug

WALL

