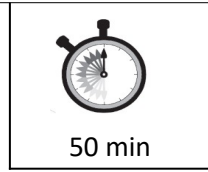
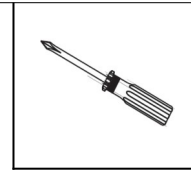
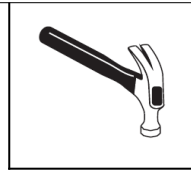


CS/CP403



50 min

Thank you for choosing this furniture.

BEFORE YOU START ASSEMBLY please store the carton at room temperature for 48 hours or more so the contents can acclimatise.

PLEASE RETAIN PACKAGING UNTIL YOU HAVE COMPLETED ASSEMBLY.

Information about your furniture.

Our furniture ranges have been carefully crafted from solid wood and natural wood veneers. Each piece of furniture has unique characteristics such as knots, variances and graining. These are part of the natural character of the furniture itself.

Caring for your furniture.

Extreme temperature can cause slight movements in the wood itself so please avoid placing your furniture close to radiators or other direct sources of heat. Humidity should also be avoided. Please avoid exposing your furniture to continued bright sunlight as it can affect the colour. Any fluid should be removed as quickly as possible. Always lift your furniture when moving, as dragging can cause damage to your furniture or flooring. Extreme changes in temperature & humidity during transit may result in a powder residue forming so silica gel bags have been included to alleviate this natural occurrence. This residue is harmless and can easily be removed before assembly with a damp cloth and mild detergent.

After care.

Wipe the surfaces with a dry cloth and an occasional use of normal household polish. We also recommend you use household spray polish occasionally on the drawer grooves and runners as this will aid use. Please do not use detergents or chemicals on your furniture.

Before you start assembly.

Please check that you have all the correct parts and fittings as detailed above. In the unlikely event of a part being damaged or

missing please mark the component or part on the diagrams above and email to arisesunltd@gmail.com

Please provide the following information so that your request can be dealt with ASAP

*** Name * Address * Post Code * Tel number * Batch number (to be found at the bottom left of this page)**



**A = x20
Dowel**



**B = x11
40mm Screw**



**C = x24
30mm Screw**



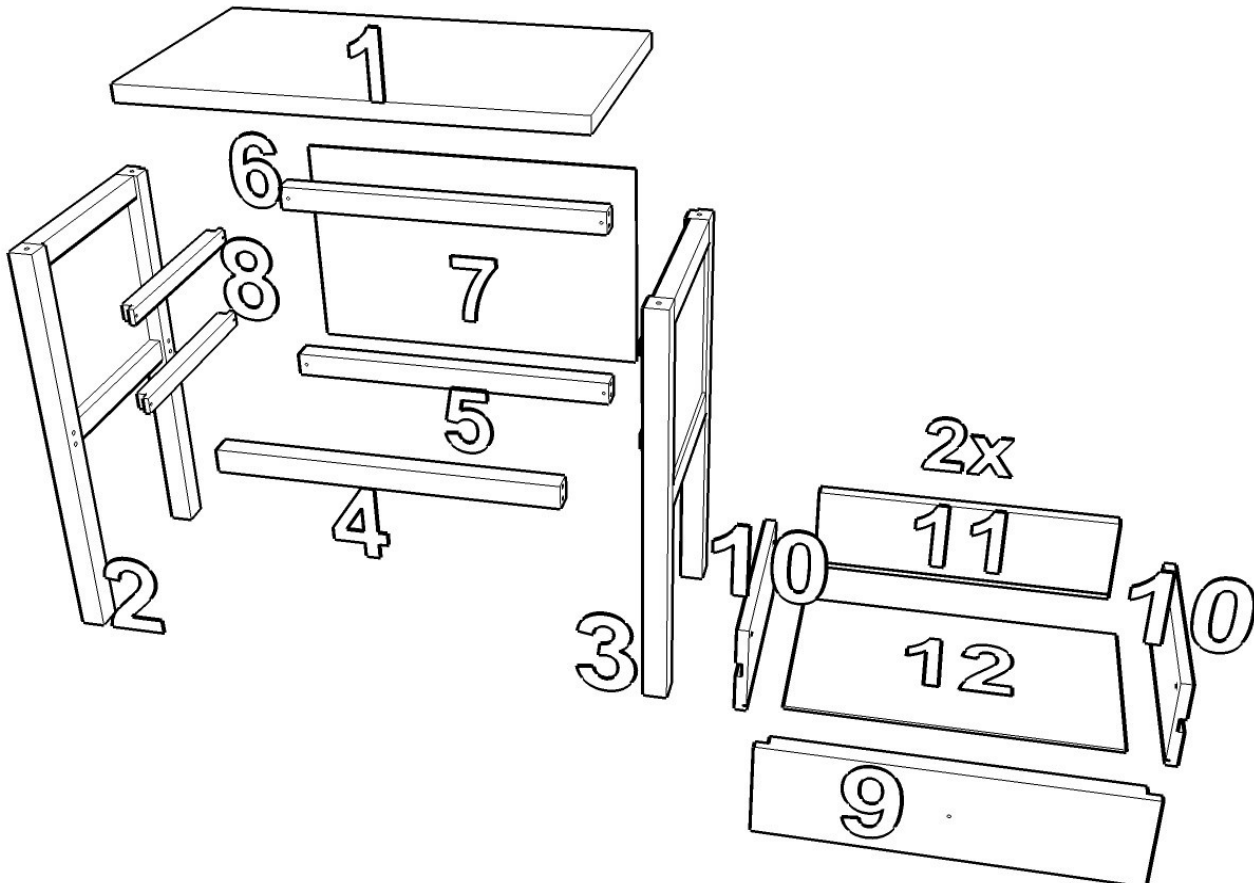
**D = x16
Nail**



**F = x2
Bolt**



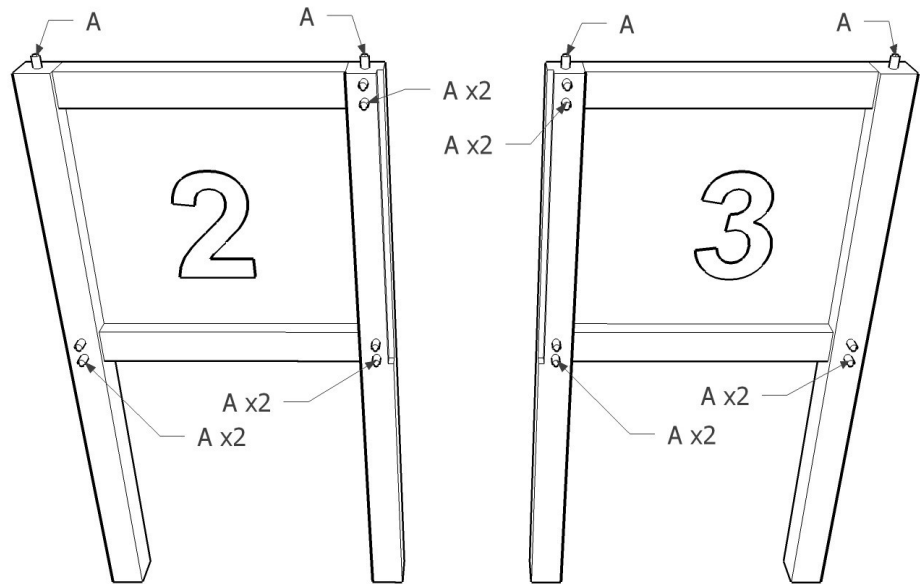
**E = x2
Handle**



Batch No.

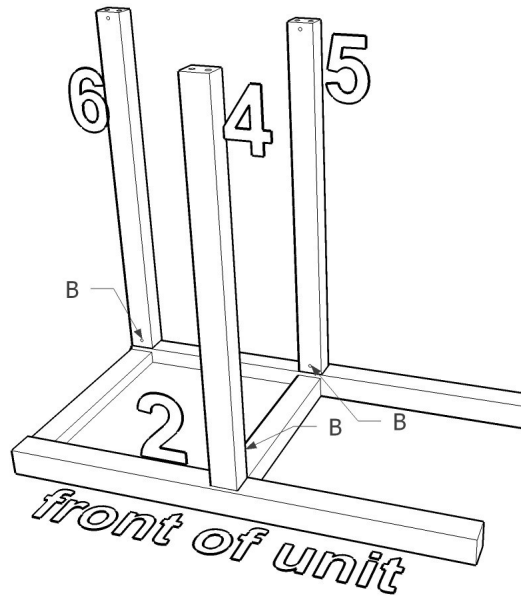
1

Tip: during assembly place unit onto a work surface with a clean cover



A = x16
Dowel

2



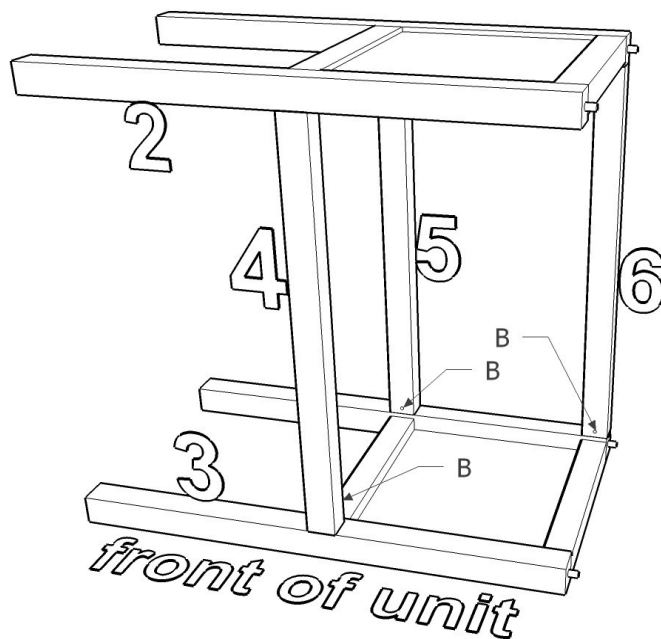
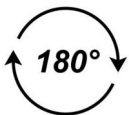
Tip: back bars 5 & 6 are unfinished

Tip: Bar 6 have a countersunk hole to insert screw and attach it to the top. The wider hole must face down, allowing for screw head to go into it.



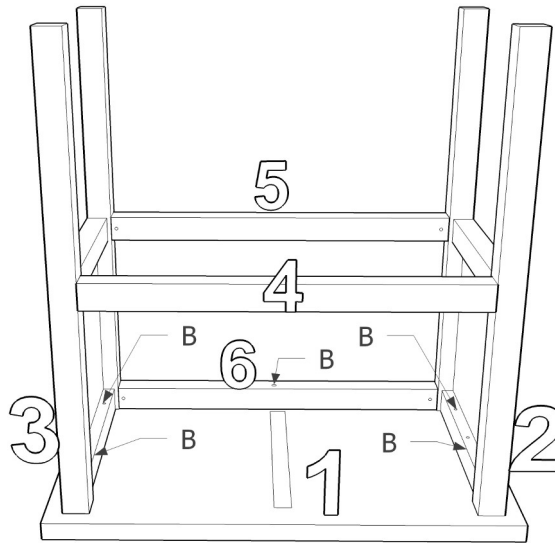
B = x3
40mm Screw

3



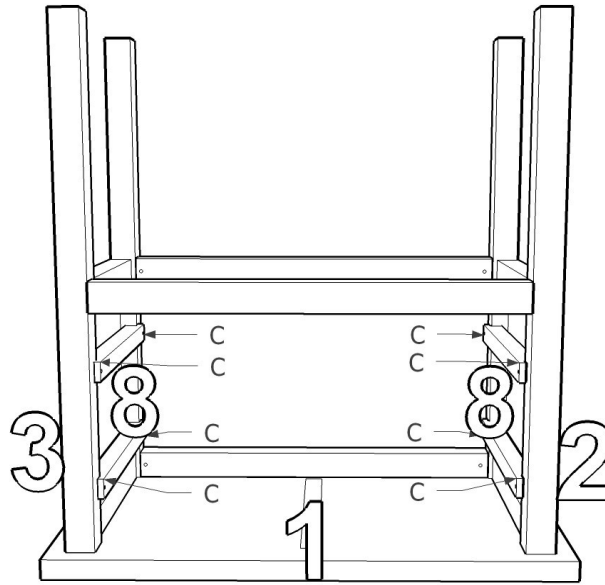
B = x3
40mm Screw

4



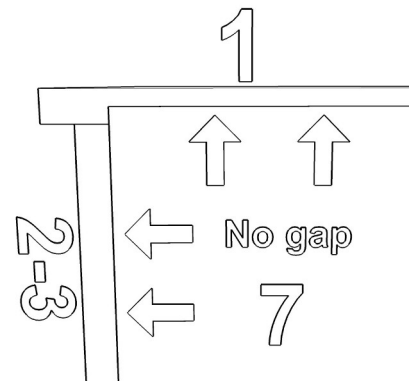
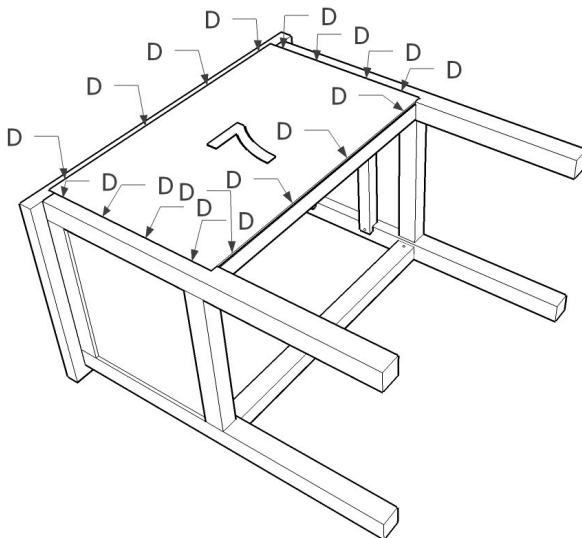
B = x5
40mm Screw

5



C = x8
30mm Screw

6



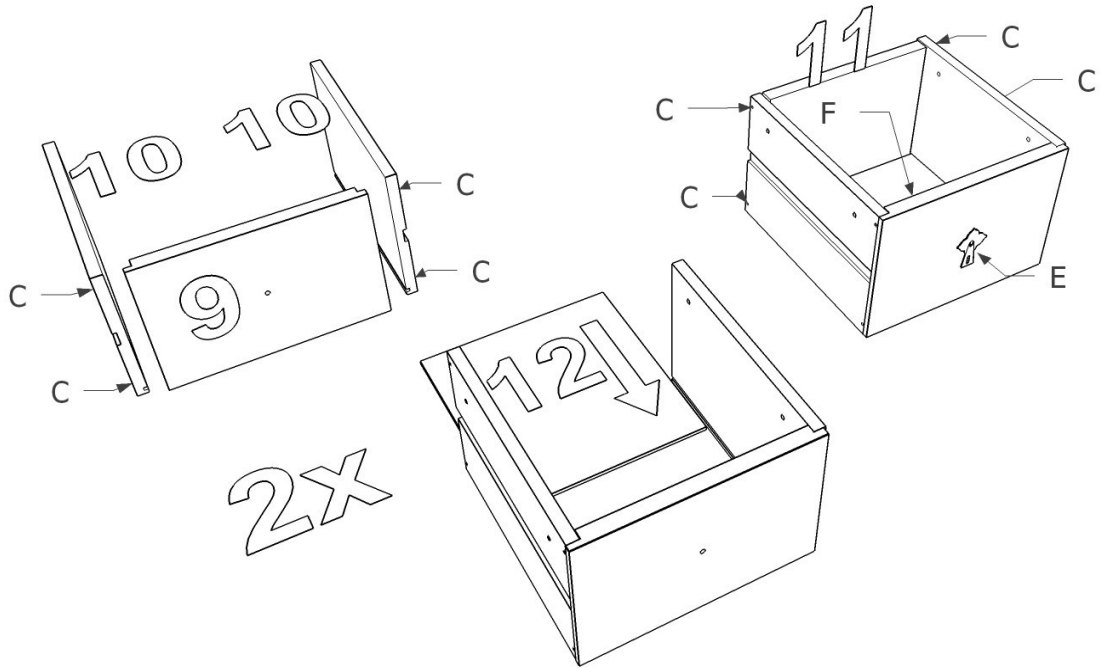
Tip: make sure back panel is square with the top and both sides



D = x16
Nail

Tip: Place top of unit over the edge of the work surface to ensure the top does not mark during assembly

7



C = x16
30mm Screw



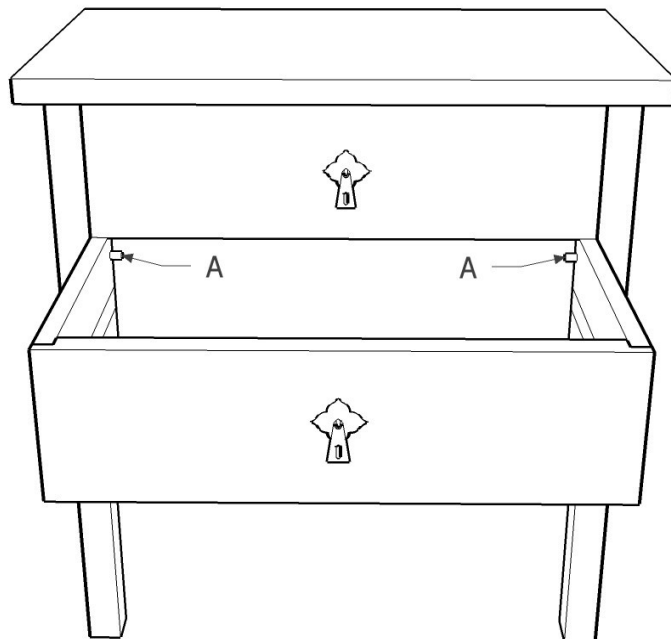
E = x2
Handle



F = x2
Bolt

8

Drawer safety stop
Tip: insert dowels from the inside of the drawers, pushing through so they sit level with the inside of the drawer side.



A = x4
Dowel