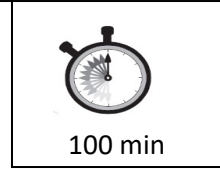
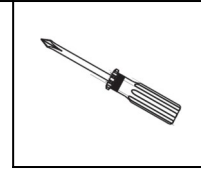
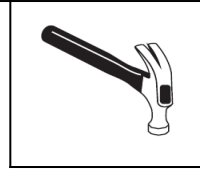


B222 Sideboard



Thank you for choosing this furniture.

PLEASE RETAIN PACKAGING UNTIL YOU HAVE COMPLETED ASSEMBLY.

Information about your furniture.

Our furniture ranges have been carefully crafted from solid wood and natural wood veneers. Each piece of furniture has unique characteristics such as knots, variances and graining. These are part of the natural character of the furniture itself.

Caring for your furniture.

Extreme temperature can cause slight movements in the wood itself so please avoid placing your furniture close to radiators or other direct sources of heat. Humidity should also be avoided. Please avoid exposing your furniture to continued bright sunlight as it can affect the colour. Any fluid should be removed as quickly as possible. Always lift your furniture when moving, as dragging can cause damage to your furniture or flooring. Extreme changes in temperature & humidity during transit may result in a powder residue forming so silica gel bags have been included to alleviate this natural occurrence. This residue is harmless and can easily be removed before assembly with a damp cloth and mild detergent.

After care.

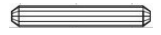
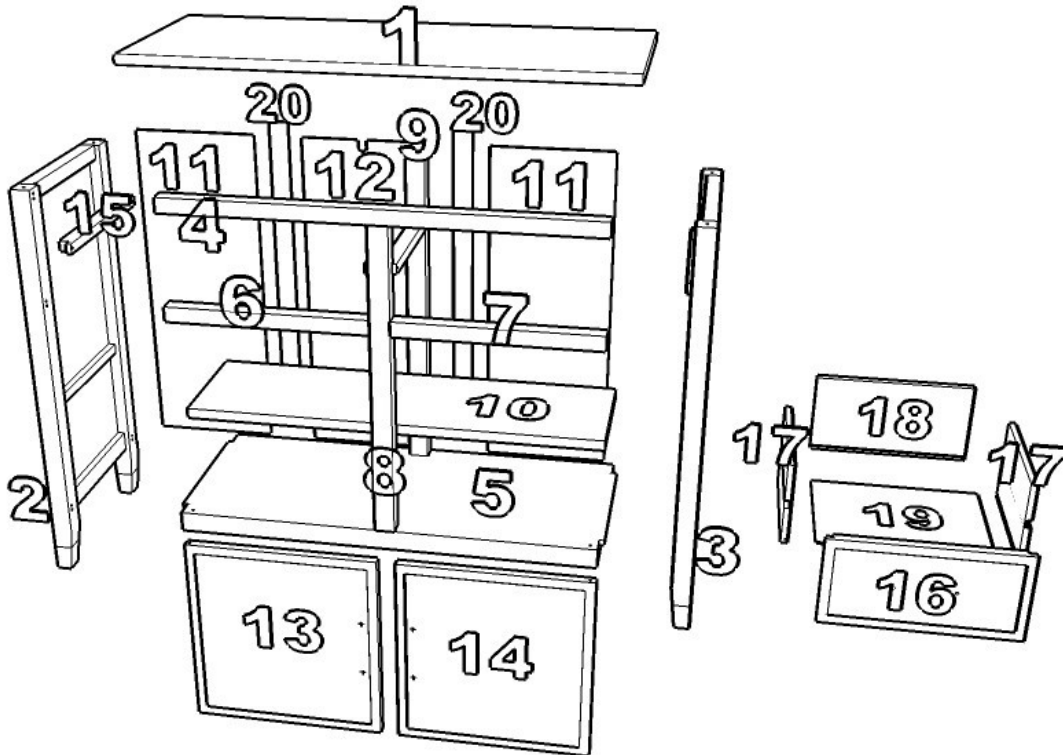
Wipe the surfaces with a dry cloth and an occasional use of normal household polish. We also recommend you use household spray polish occasionally on the drawer grooves and runners as this will aid use. Please do not use detergents or chemicals on your furniture.

Before you start assembly.

Please check that you have all the correct parts and fittings as detailed below. In the unlikely event of a part being damaged or missing please mark the component or part on the diagrams below and email to arisesunltd@gmail.com

Please provide the following information so that your request can be dealt with ASAP

*** Name * Address * Post Code * Telephone number * Batch number (to be found at the bottom left of this page)**



**A = x36
Dowel**



**B = x20
40mm Screw**



**C = x32
30mm Screw**



**D = x30
Nail**



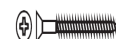
**E = 2x Big
E = 2x Small
Handle**



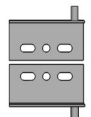
**F = x8
Bolt**



**J = x2
Mag. Catch**



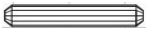
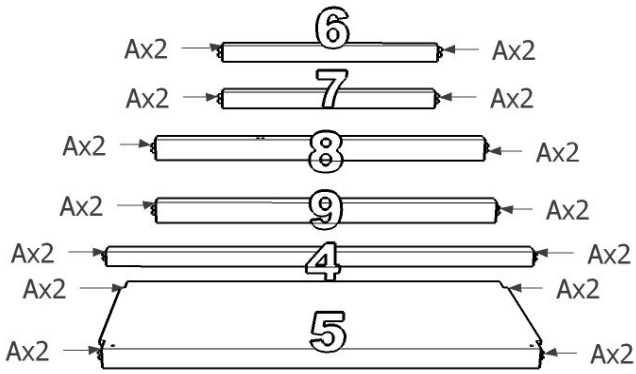
**H = x16
15mm screw**



**M = 2x
Hinge Pair Set**

Batch No.

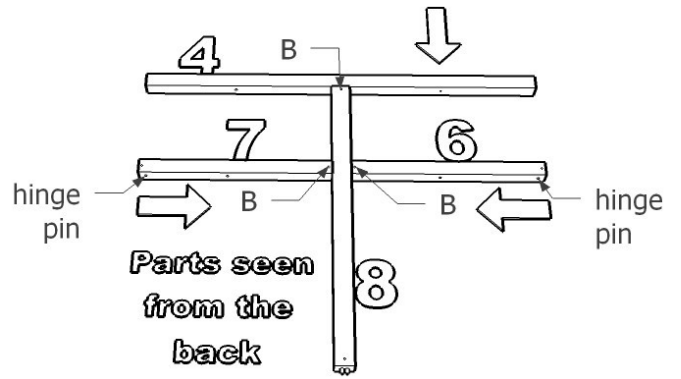
1



A = x28
 Small Dowel

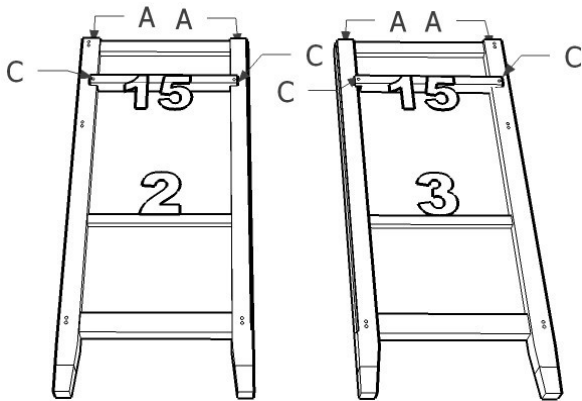
2

Tip: lay parts on a clean flat surface for easier and safer handling



B = x3
 40mm Screw

3

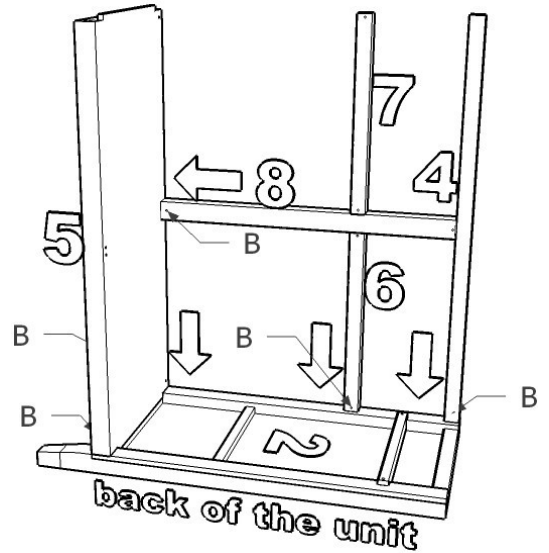


C = x4
 30mm Screw



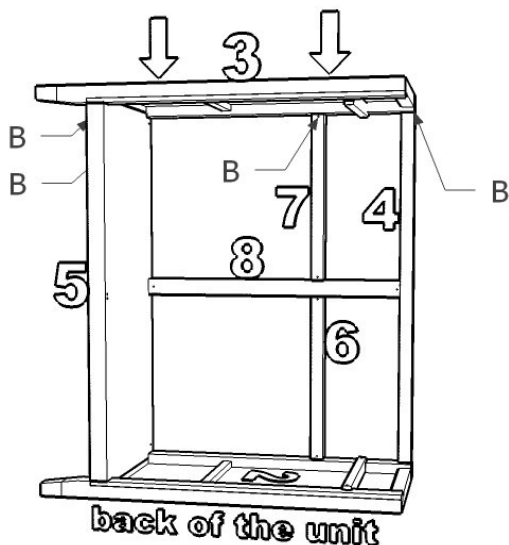
A = x4
 Small Dowel

4



B = x5
 40mm Screw

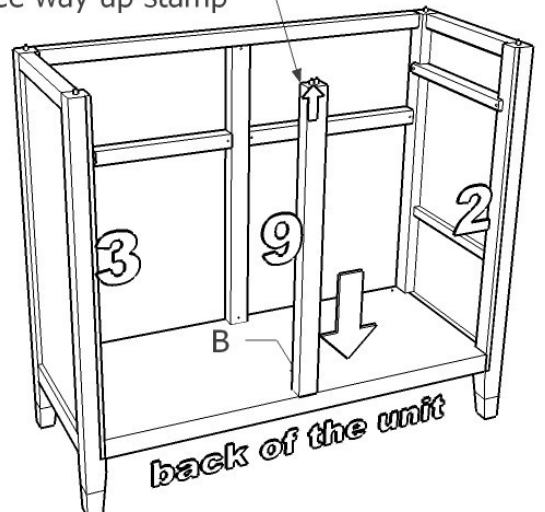
5



B = x4
 40mm Screw

6

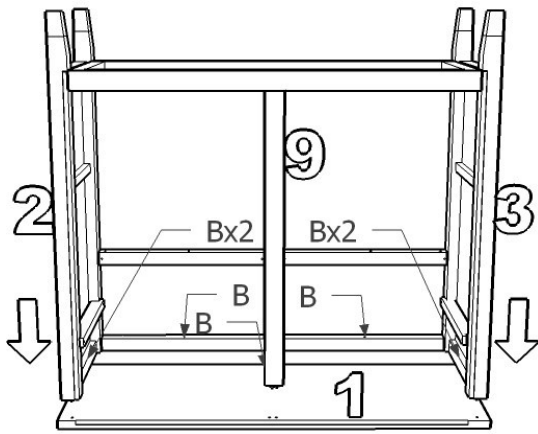
see way up stamp



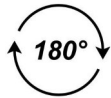
B = x1
 40mm Screw



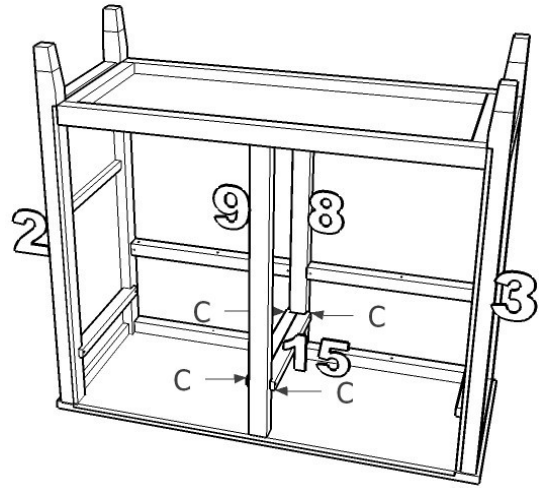
7



B = x7
40mm Screw

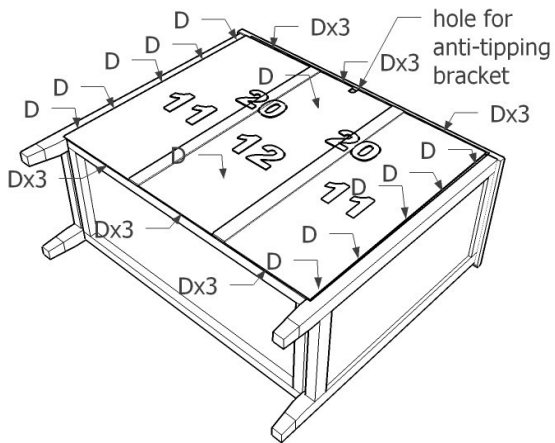


8



C = x4
30mm Screw

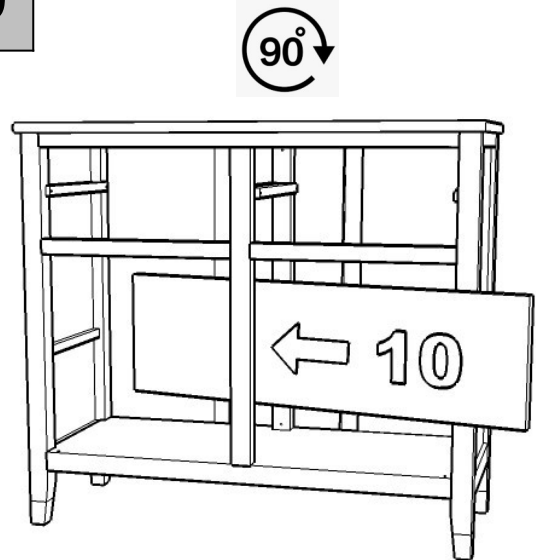
9



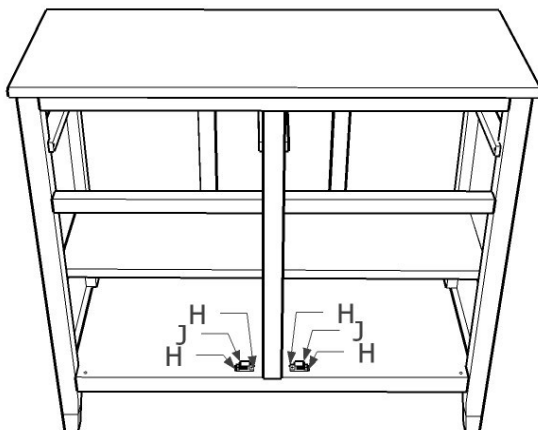
D = x30
Nail



10



11



J = x2
Mag. Catch

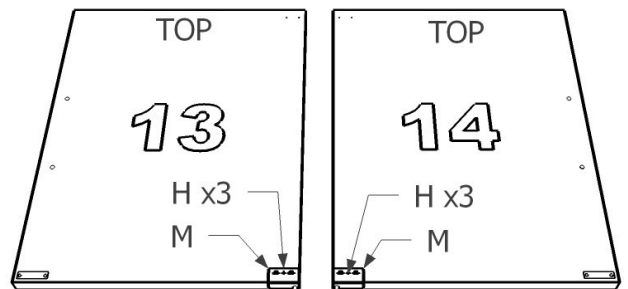


H = x4
15mm screw

12

Tip: place drawers facing down on a clean surface

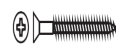
BACK SIDE OF DOORS



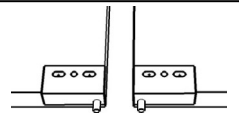
Tip: don't fit screws too tight as you may need to adjust the door position left or right later



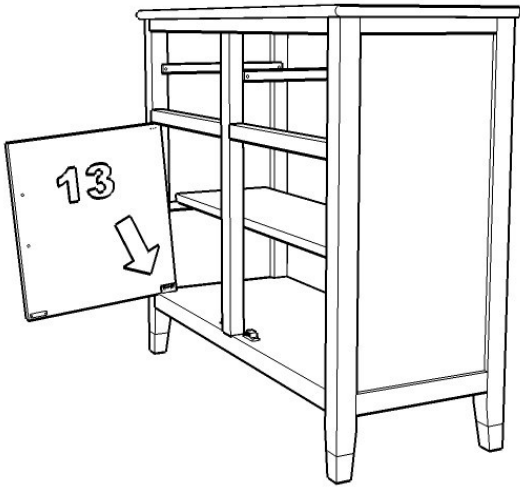
M = Hinge



H = x6
15mm screw

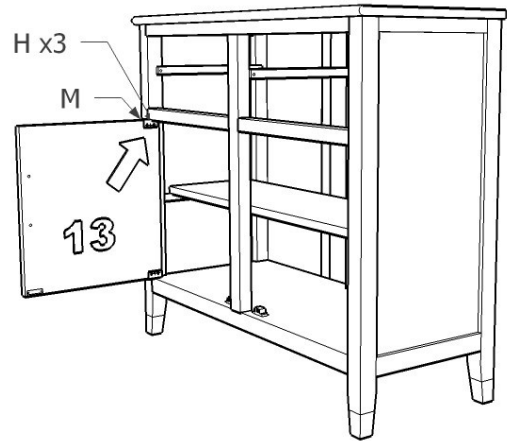


13



14

Tip: fit hinge up into the cross bar above door, swing door in, almost closing it, to position hinge into the door. Open the door and tighten screws.



M = Hinge

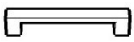
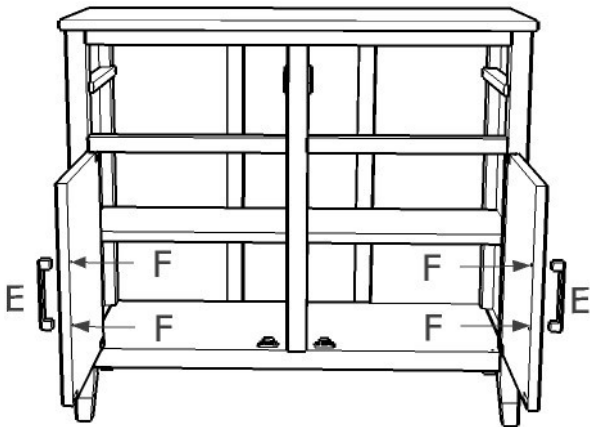


H = x3
15mm screw

REPEAT STEPS 13 & 14 TO FIT RIGHT DOOR

IF A DOOR NEEDS ADJUSTING ITS POSITION, SIMPLY LOOSEN THE HINGE SCREWS AND REPOSITION DOOR AS REQUIRED

15



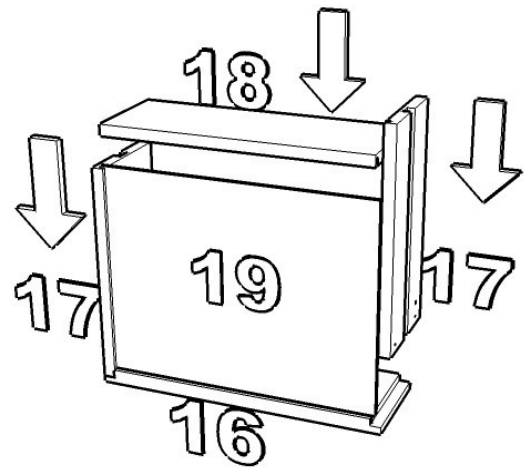
E = 2x Big Handle



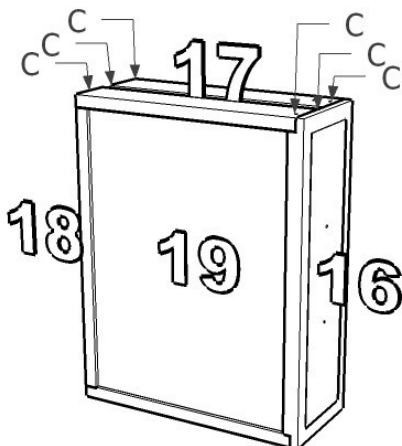
F = x4 Bolt

16a

Drawer Assembly – 2x

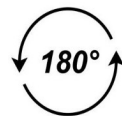
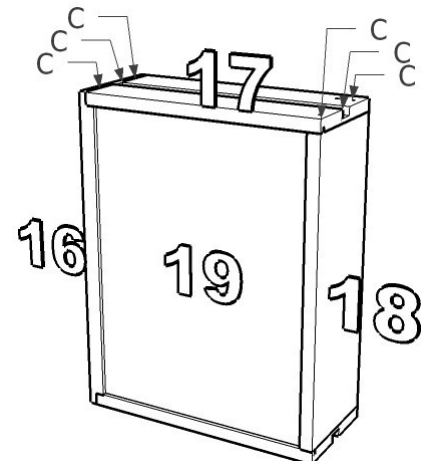


16b

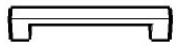
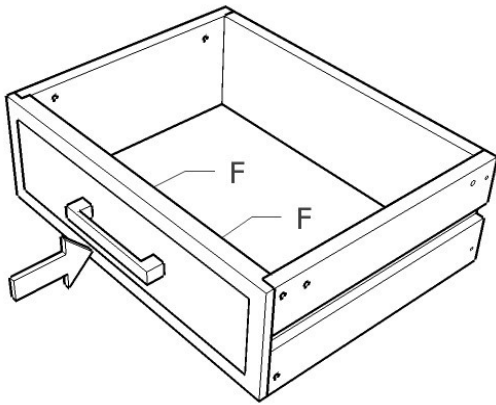


C = x6
30mm Screw

16c



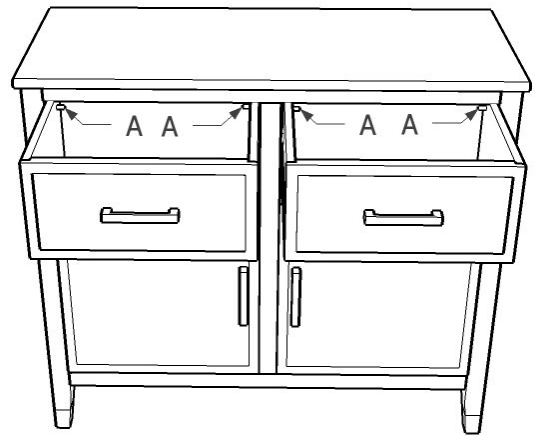
C = x6
30mm Screw

16d

E = x2 Small Handle



F = x4 Bolt

17

A = x4 Dowel

Drawer stoppers

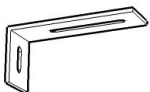
18

WARNING! TIPPING HAZARD – Unanchored furniture can tip over

WARNING: CHECK FOR HIDDEN PIPES AND CABLES BEFORE DRILLING.

IMPORTANT: IF YOUR WALLS ARE NOT SOLID LIKE BRICK OR STONE, YOU WILL REQUIRE SPECIALIST FITTINGS (NOT SUPPLIED)

- Place cabinet against the wall and position bracket in place to mark position for drilling hole.
- Move cabinet and drill hole in your wall to a depth of 30mm using a 6mm drill bit. If the surface of your wall is soft and crumbly, we would advise you to use a 5mm drill bit for a tighter fit.
- Insert plug into hole with end flush to the wall surface;
- Move cabinet back in position, attach the bracket to the underside of the top using one washer and the 15mm screw. Leave it a bit loose
- Insert a washer into the 30mm screw and fit it through the bracket and into the wall plug securing it tightly
- firmly tight the 15mm screw under the top



1x Bracket



1X
30mm Screw



1X
15mm Screw



2X
Washers



1X
Wall Plug

