

Moderno 3020

Side tap

Filtered cold & steaming hot water side taps - FHC3020

FEATURES:

- Hot and cold water tap - dispenses near-boiling water and cold drinking water
- For use with an InSinkErator instant hot water tank and filtration system
- Self-closing hot valve for automatic shut off
- Handles move forward to avoid hitting backsplash
- Spout swivels 360° for convenience

MATERIAL:

- Reverse osmosis certified and compatible per NSF/ANSI 58
- Solid brass construction
- Corrosion resistant ceramic disc valve

FINISHES:

Chrome | Brushed Steel | Velvet Black | Polished Nickel

WARRANTY:

5-Year In-Home Limited Warranty.
Covers parts and labor.

The complete InSinkErator warranty is included in the Care & Use booklet with each unit.

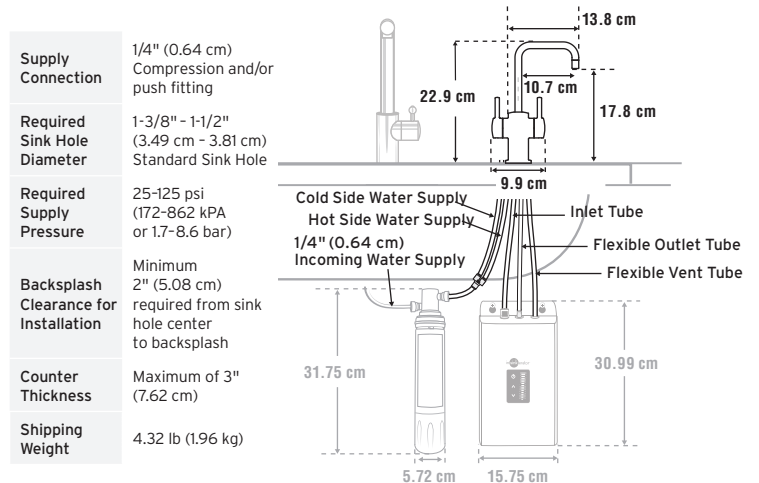
CERTIFICATIONS:

NSF/ANSI 372 • NSF/ANSI 58 • NSF/ANSI 42/53
NSF/ANSI 61 • ASME A112.18.1 • UPC Certified
ASSE 1023 • ADA Compliant



Energy efficient

An InSinkErator® steaming hot water tap uses less energy than a 40-watt light bulb.



InSinkErator, Suite 10, Building 6, Hatters Lane, Croxley Park, Watford, Herts WD18 8YH. United Kingdom

Sales tel: 01923 297 880
Service tel: 0800 389 3715
insinkerator.co.uk

InSinkErator® may make improvements and/or changes in the specifications at any time, in its sole discretion, without notice or obligation and further reserves the right to change or discontinue models. © 2022 InSinkErator®. All Rights Reserved.

