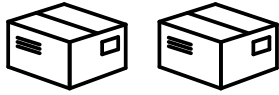


## UNIVERSAL ASSEMBLY INSTRUCTIONS

FOR BIRD TABLES: HANBURY / PALMER / ELLESMERE / SHAFTSBURY / CAMDEN



2 Packages  
Required

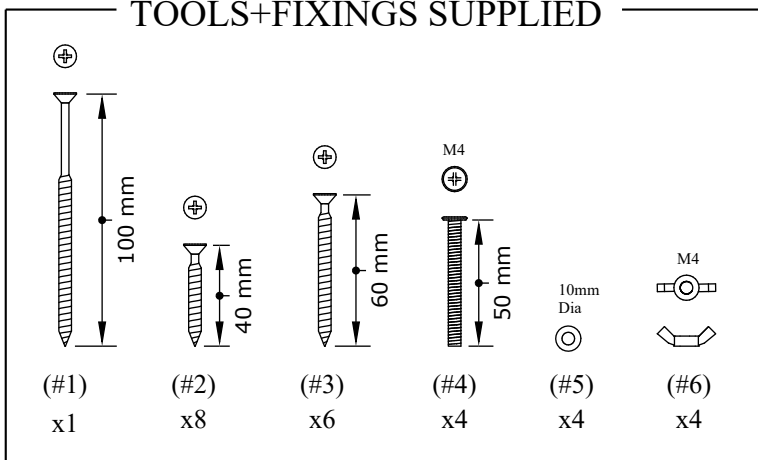


2 Persons  
Required

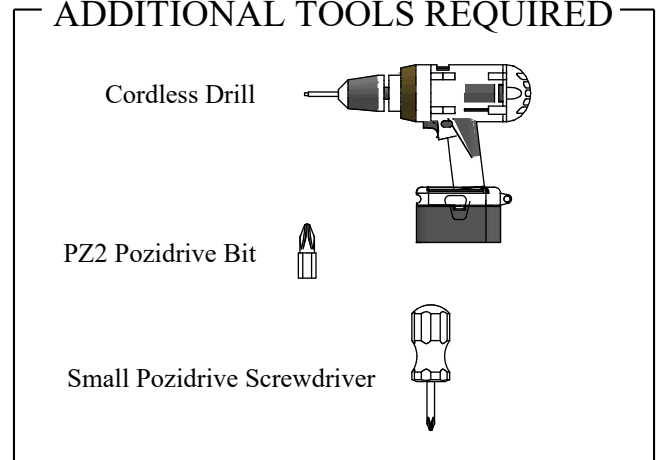


30 Minute  
Assembly

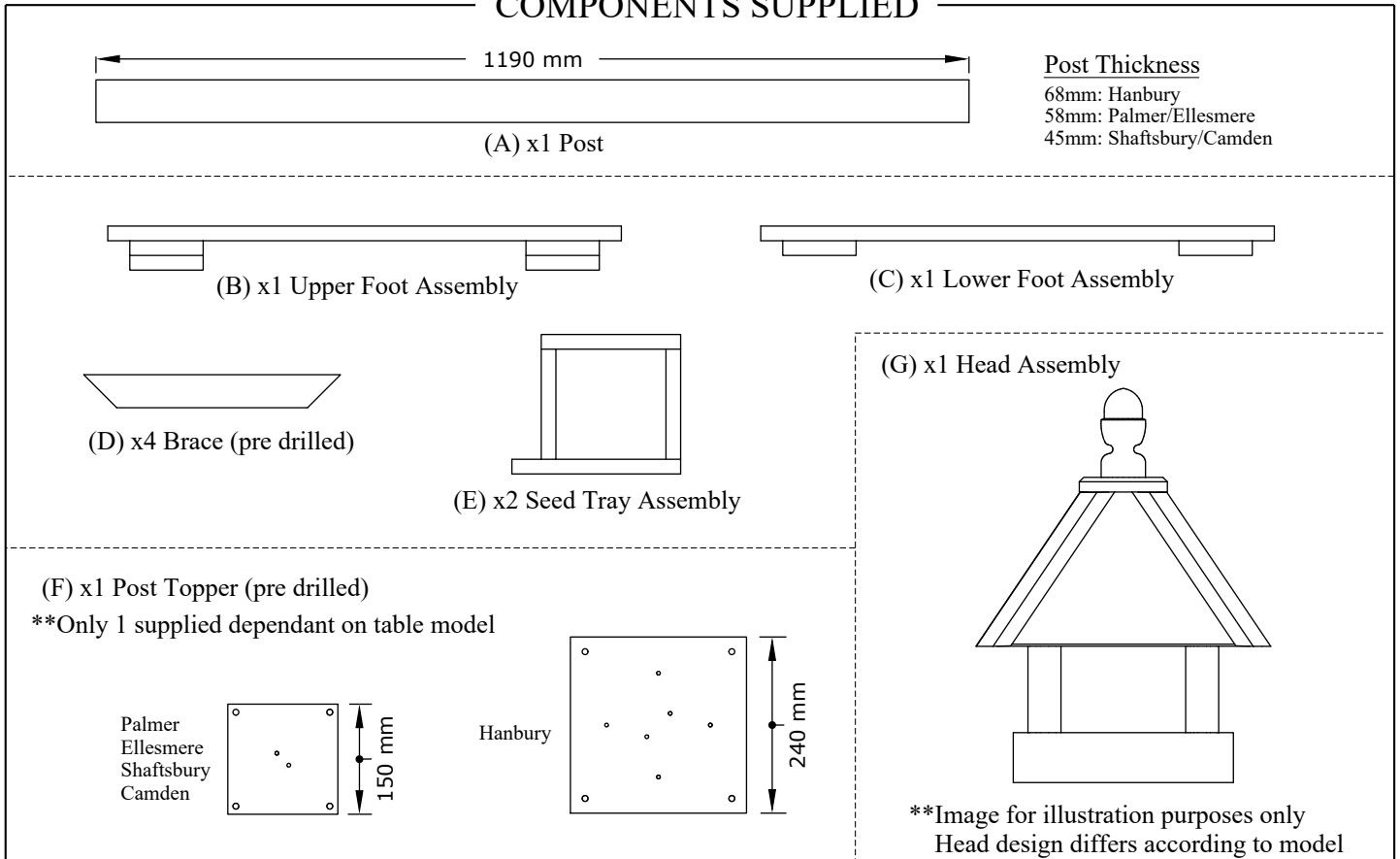
### TOOLS+FIXINGS SUPPLIED



### ADDITIONAL TOOLS REQUIRED



### COMPONENTS SUPPLIED



## BEFORE STARTING ASSEMBLY

Choose a position for the product, situated on firm, level ground.

Clear a suitable assembly area, free of obstructions, close to the final position of the product.

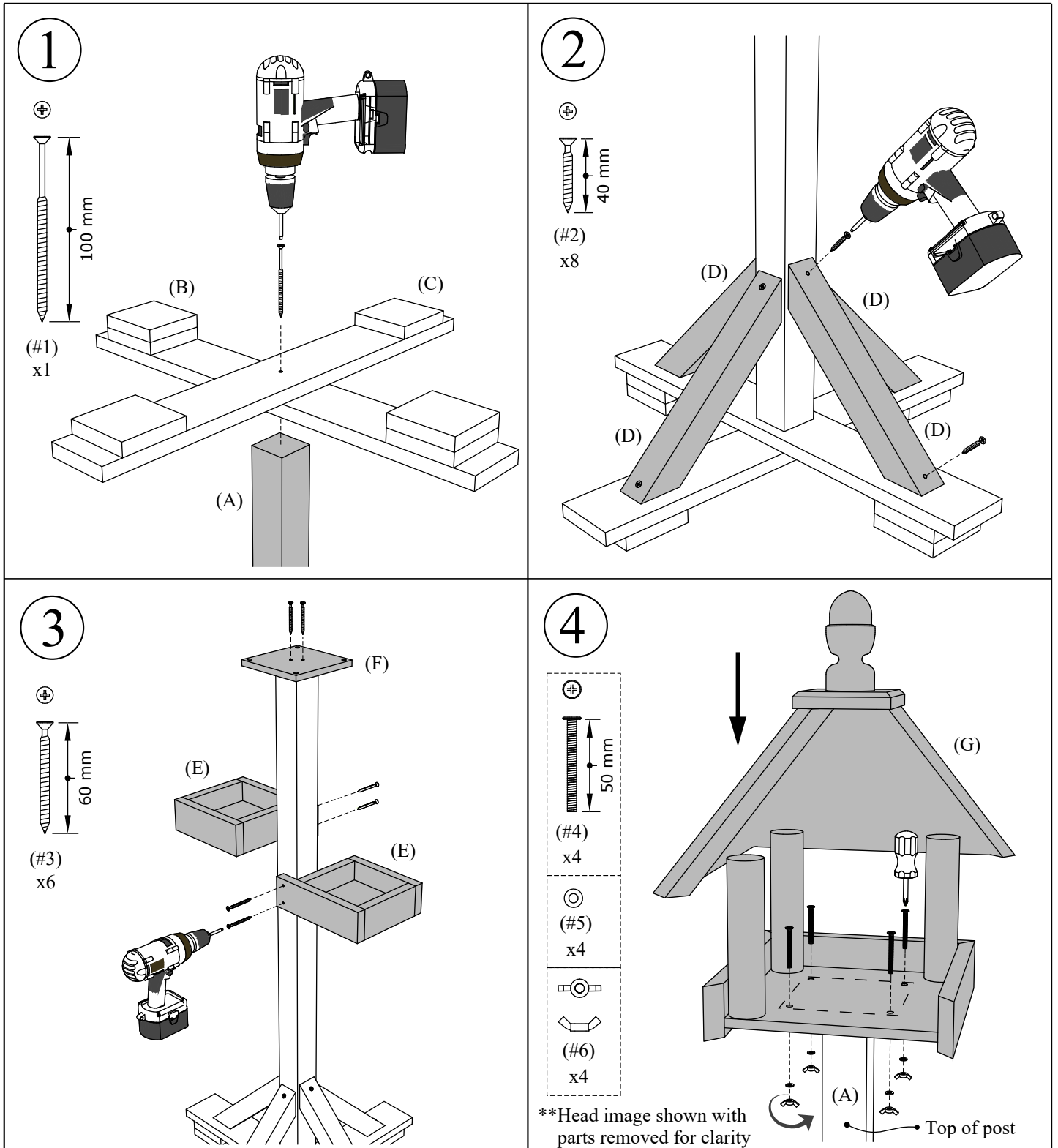
Ensure additional persons required are available to help.

Unpack all fixings + components and lay them out ready.

Always use the recommended safety equipment when using tools.

Only fully tighten fixings, when all components are aligned and in place.

Do not tighten screws below the wood surface, as this could hamper any future dismantling.



## ASSEMBLY IS NOW COMPLETE

Perform a final check, to ensure all fixings are in position and fully tightened.

Ensure the product is on firm, level ground, before use.

Please dispose of all packaging materials responsibly.

See the below Care and Maintenance section, to get the most out of your product.

Please retain these instructions for future reference.

## CARE AND MAINTENANCE

Your product has a water-based wood preservative treatment applied to protect it from deterioration.

We recommend that you treat your product regularly with a suitable water-based wood preservative, to help extend the life of your product.

Clean the surfaces with soapy water, then sand the surface of the wood with 120 grit sandpaper before applying the treatment for best results.

Wood is a natural product, therefore splits and cracks may appear as the product sits in an external environment. Should any sharp edges appear, they should be sanded smooth, then have water-based wood preservative applied, for protection from the elements.

We recommend periodic checking and tightening of fixings, to ensure your product remains stable.



**Simply Wood**  
— finest quality —

### CONTACT DETAILS:

WEBSITE: [www.wooden-garden-furniture.com](http://www.wooden-garden-furniture.com)

EMAIL: [info@wooden-garden-furniture.com](mailto:info@wooden-garden-furniture.com)

HELPLINE NUMBER: 0800 118 5141