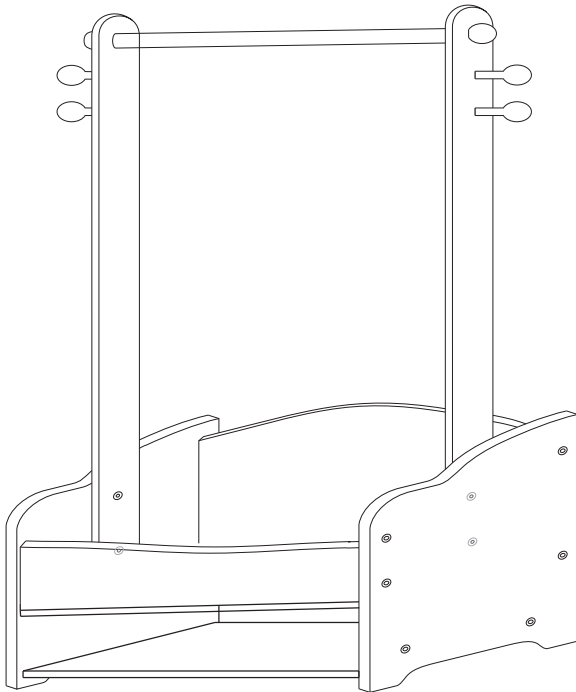
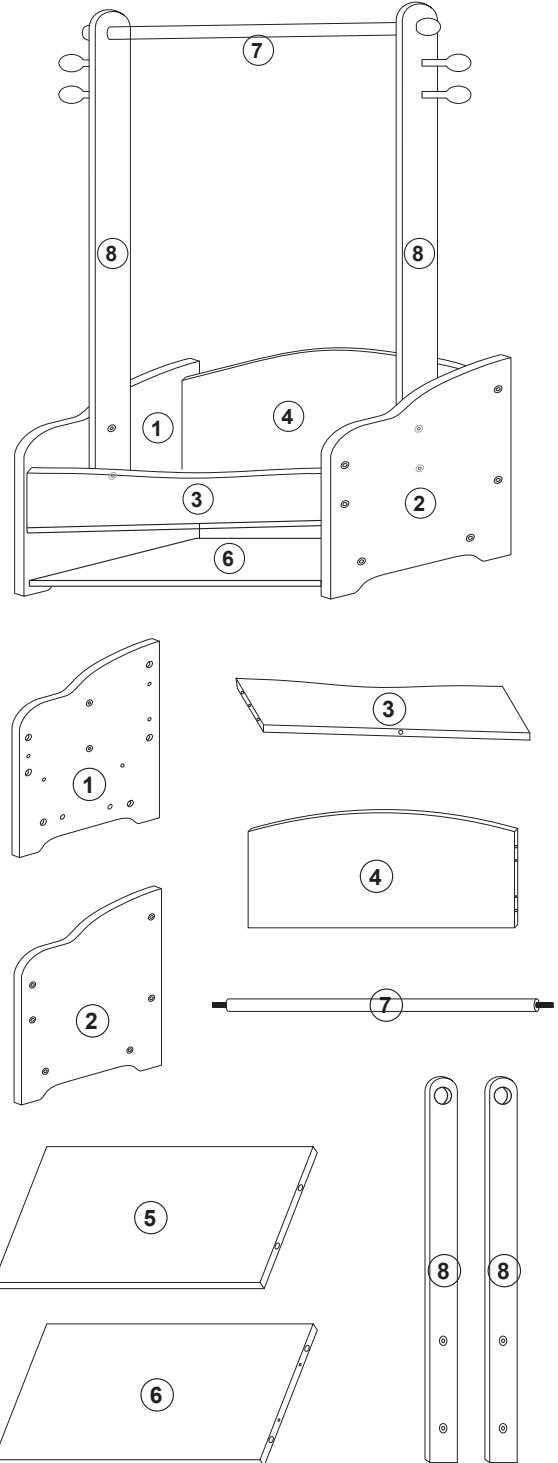


**IMPORTANT! RETAIN THESE INSTRUCTIONS FOR FUTURE REFERENCES.
 ASSEMBLY TO BE CARRIED OUT BY A COMPETENT ADULT ONLY.**



PART LIST



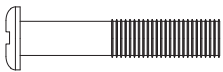
HARDWARE



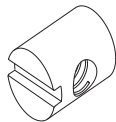
A x 4



B x 14



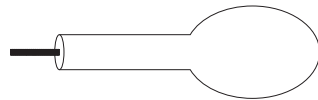
C x 12



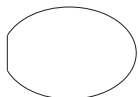
D x 12



E x 2



F x 4



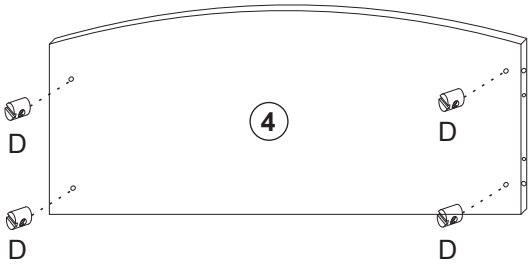
G x 2

**TOOLS
 REQUIRED**

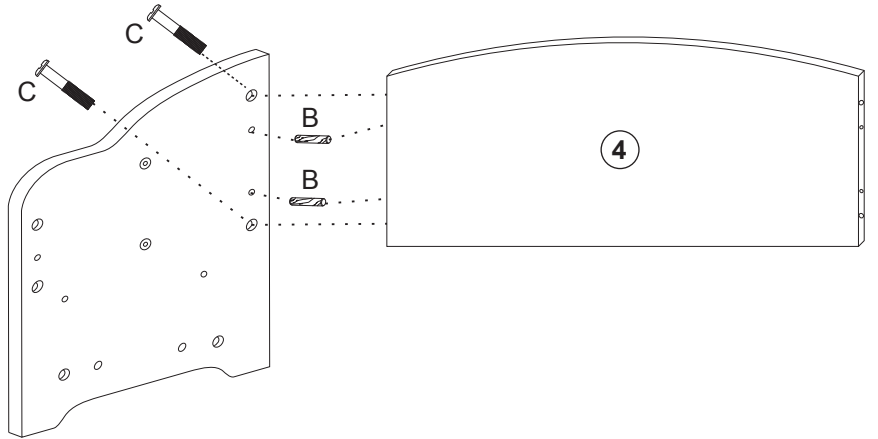
1. Phillips Head Screw Driver (not supplied)
2. Flat Head Screw Driver (not supplied)



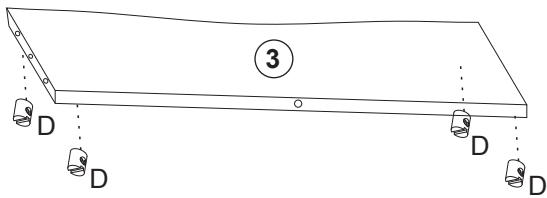
Step 1



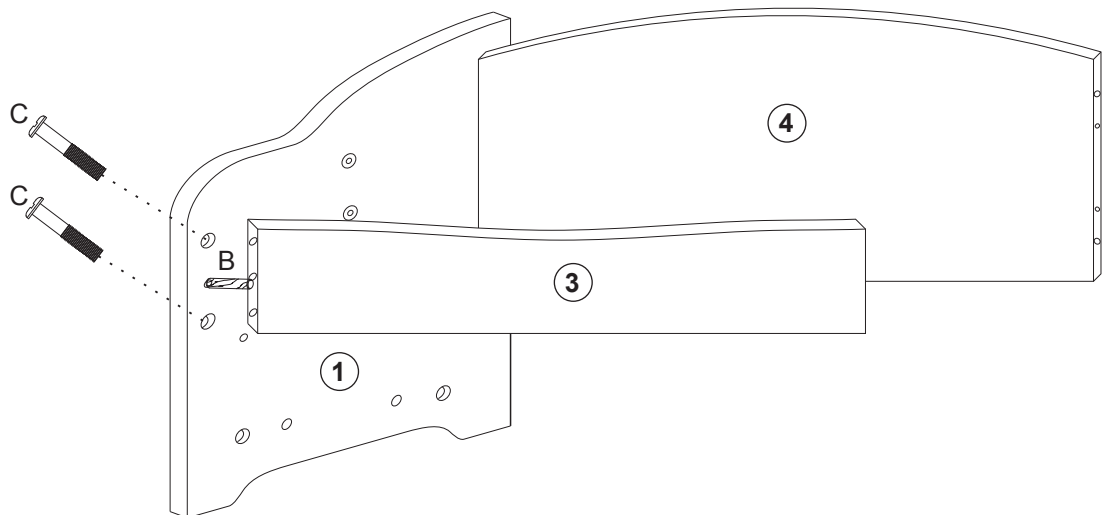
Step 2



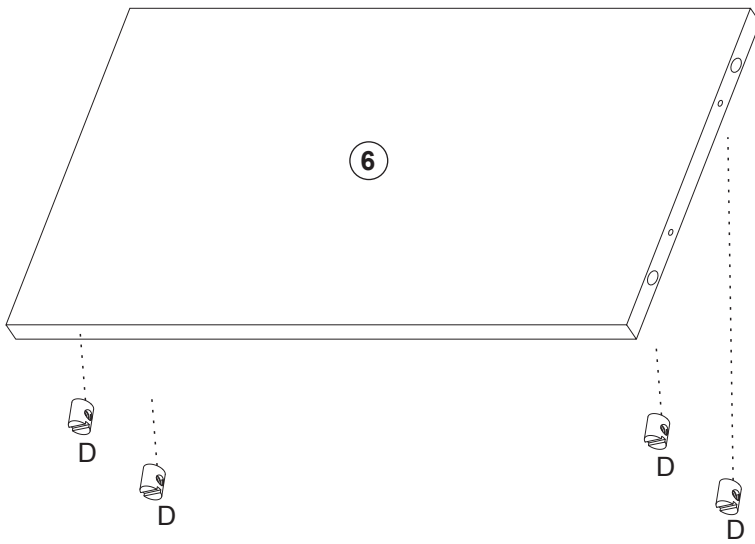
Step 3



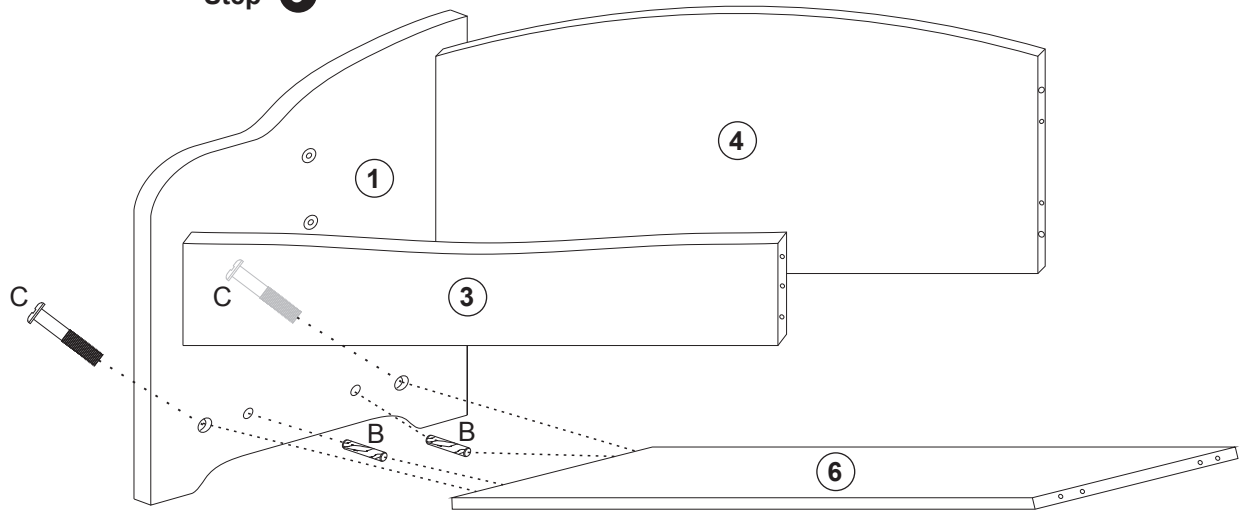
Step 4



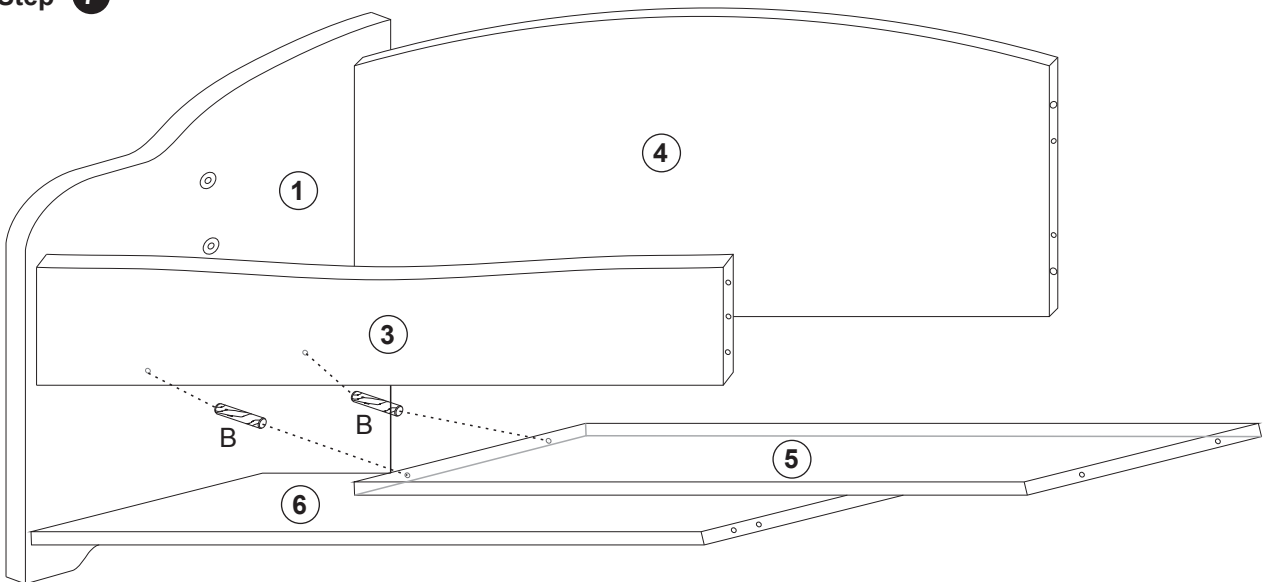
Step 5



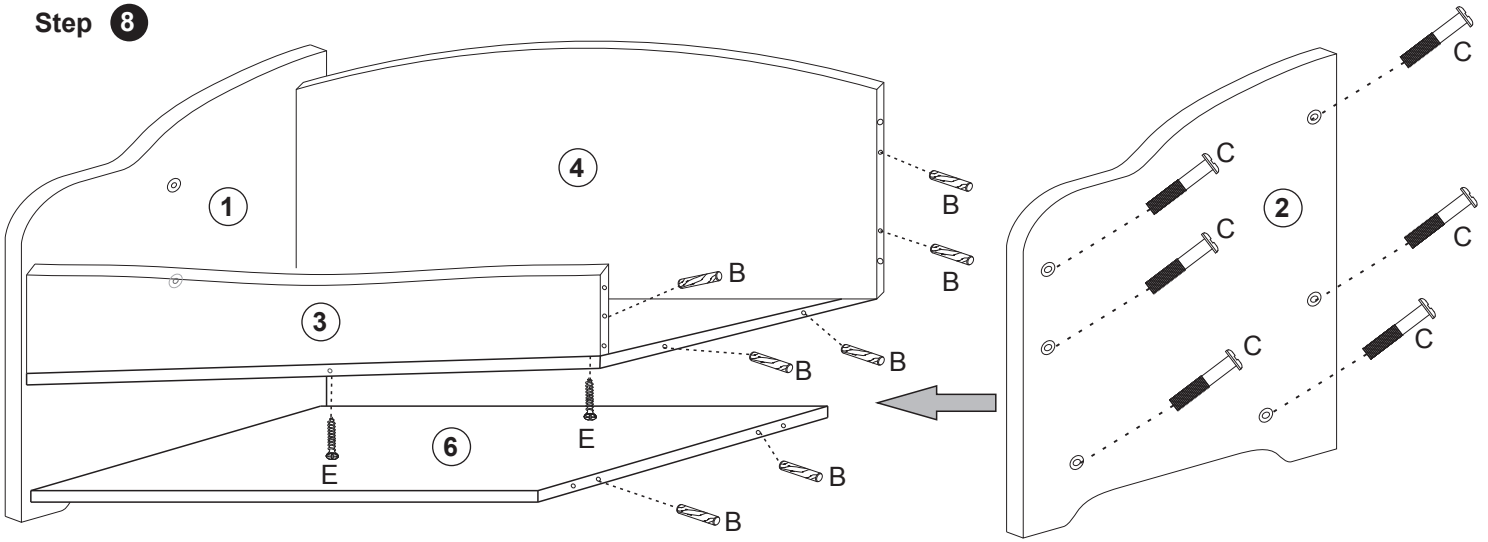
Step 6



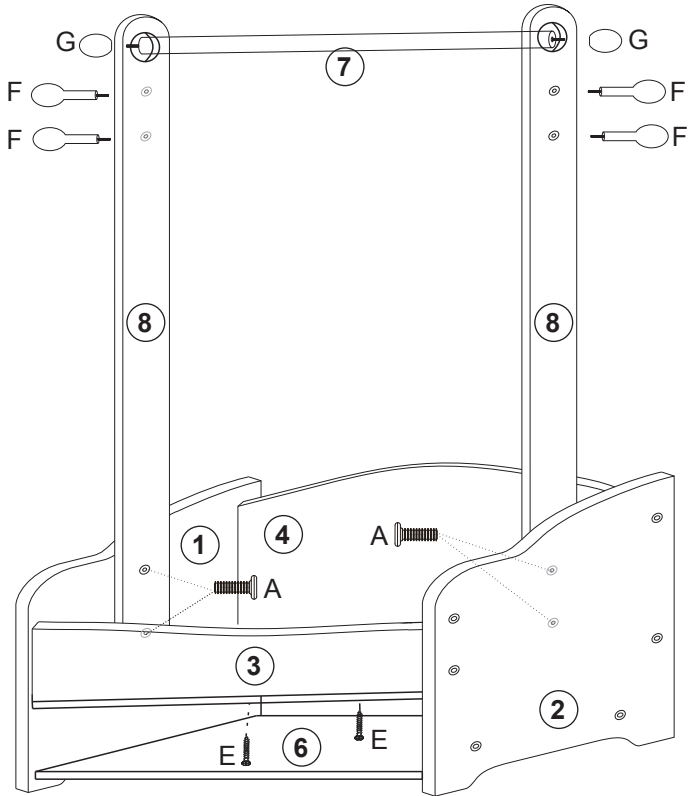
Step 7



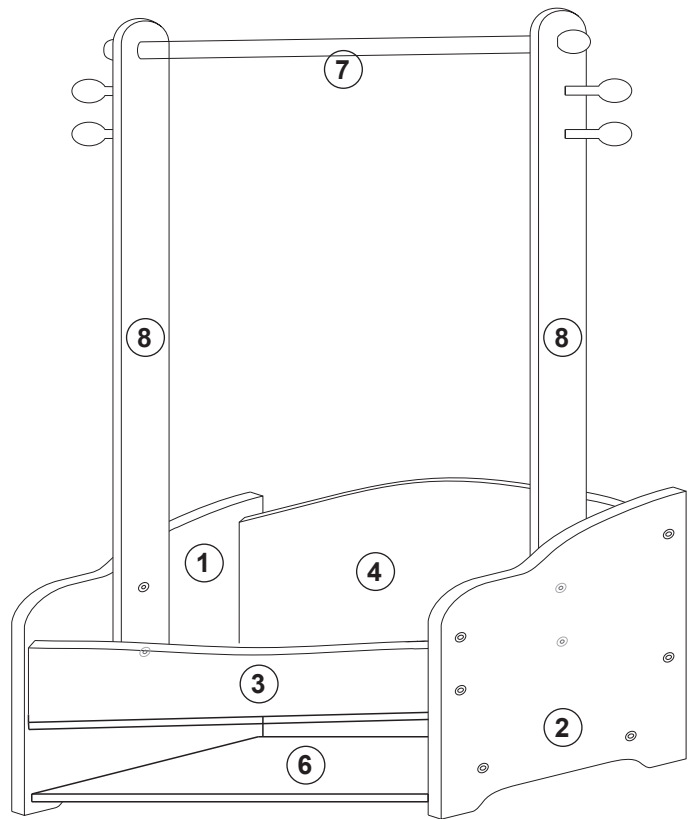
Step 8



Step 9



COMPLETE



CARE/CLEANING INSTRUCTIONS

- Wipe furniture with a soft damp cloth and dried with a dry cloth, do not use paper as this may be abrasive to the finish.
- The unit should be cleaned with a damp cloth and dried with a dry cloth.
- DO NOT use bleach or chemical solutions to clean the product.
- DO NOT expose to sunlight or other heat sources for a prolonged period.
- DO NOT store or leave outside.

SAFETY TESTED

The product conforms to:
FIRA FRQG C001:2021 / FIRA FRQG C004:2016+A1:2017

WARNINGS

1. **WARNING: DO NOT** use this product if any part is broken, torn or missing. Please contact your supplier and spare parts can be supplied – please use only parts approved by the manufacturer.
2. Please keep children away from the work area during assembly of this product – due to small parts.
3. Once assembled, this product is **NOT** designed to be dismantled, transported and reassembled.
4. Dispose of all packaging carefully and responsibly.
5. We advise you to keep these instructions in a safe place in case required for future use.
6. Assembly to be carried out by a competent adult only.
7. This product is suitable for children in the age range 3-7 year old.
8. The maximum loading weight of the product is 15 KG.
9. Periodically check all fastenings to ensure that they are properly tightened.