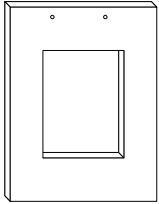
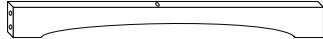
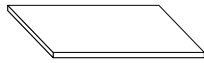
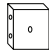


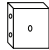
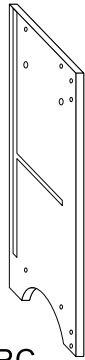
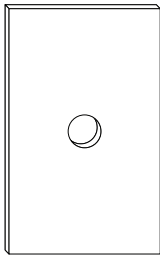
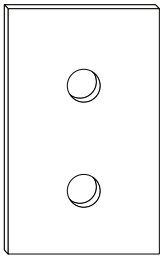
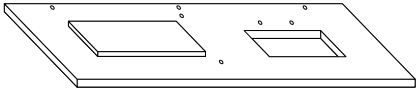
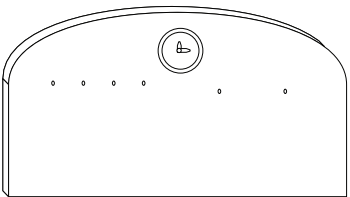
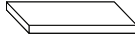



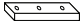
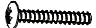



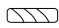













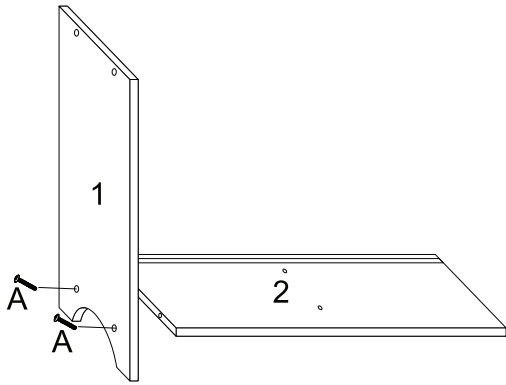
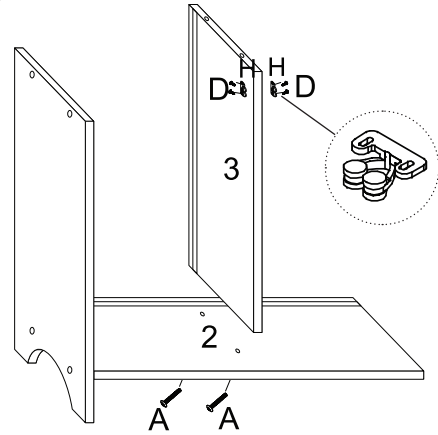
				
1: 1PC	2: 1PC	3: 1PC	4: 1PC				
							
	6: 1PC	8: 1PC	10: 1PC				
5: 1PC							
7: 1PC	9: 1PC	11: 1PC					
							
12: 1PC	13: 1PC	14: 1PC	15: 1PC				
							
		18: 4PCS	20: 2PCS				
16: 1PC	17: 1PC						
19: 1PC	21: 1PC						
4X40mm  A: 20PCS	4x20mm  B: 12PCS	4x16mm  C: 2PCS	3x8mm  D: 16PCS	5x30mm  E: 11PCS			
NB: See Step 3 for assembly of Door Pins F and G.							
 F: 2PCS	 G: 2PCS	 H: 2PCS	 I: 2PCS				
							

Step 1



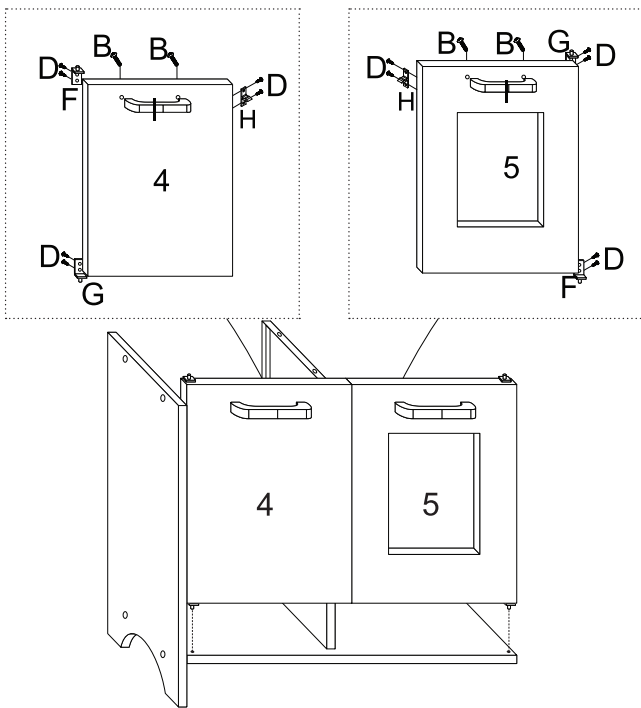
Secure Panel 1 to Panel 2 using 2 x Screws A.

Step 2



Use Screws D to secure Lock H (female hinge) to Panel 3.
Secure Panel 3 to Panel 2 using 2 x Screws A.

Step 3



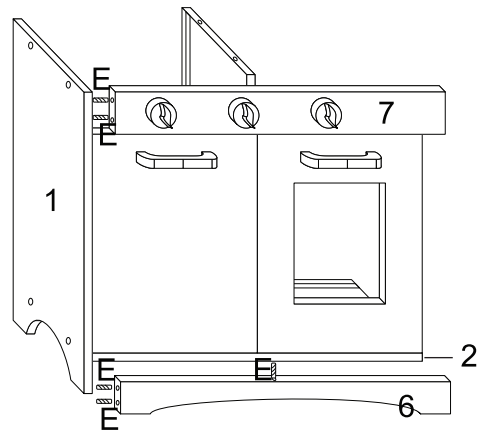
Secure Handle I to Panel 4 using 2 x Screw B.
Secure Handle I to Panel 5 using 2 x Screw B.
Use Screws D to secure Door Pins F and G to Panels 4 and 5.

NB: Pay close attention that Door Pins F and G are secured correctly and as shown in the diagram.

Use Screws D to secure Lock H (male hinge) to Panel 4.

Use Screws D to secure Lock H (male hinge) to Panel 5.

Step 4



NB: The bottom of Panel 7 has pre-drilled holes for Door Pins F and G.

Insert 2 x Wooden Dowels E to left side of Panel 7.

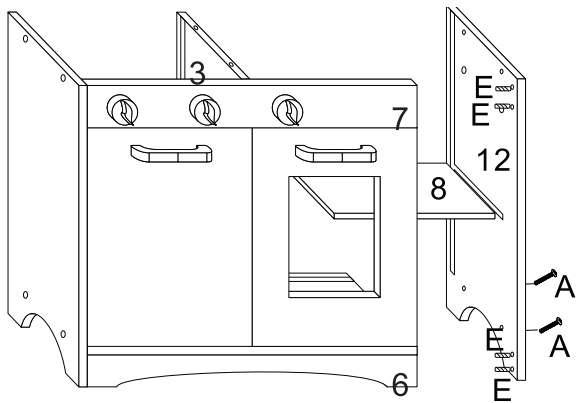
Join Panel 7 to Panel 1.

Insert 2 x Wooden Dowels E to left side of Panel 6.

Insert 1 x Wooden Dowel E to topside of Panel 6.

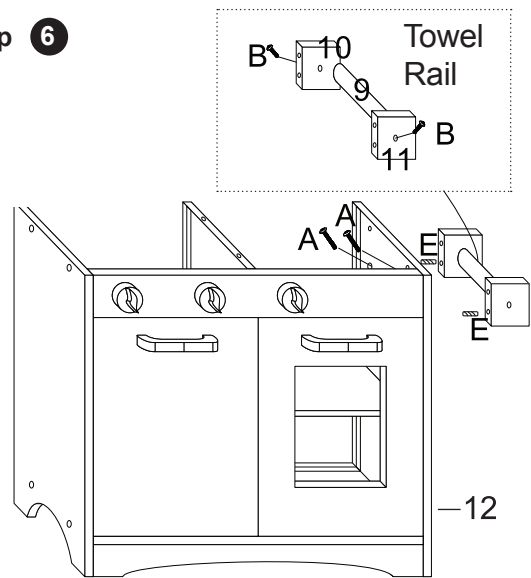
Join Panel 6 to Panels 1 and 2.

Step 5



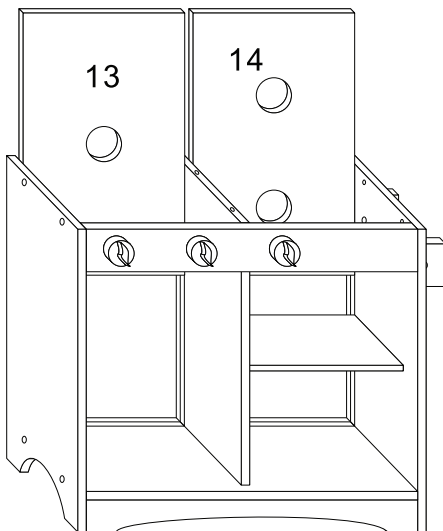
Insert 4 x Wooden Dowels E to Panel 12.
Join Panel 12 to Panels 6 and 7.
Secure Panel 12 using 2 x Screws A.
Insert Panel 8 (Shelf) between Panels 3 and 12.

Step 6



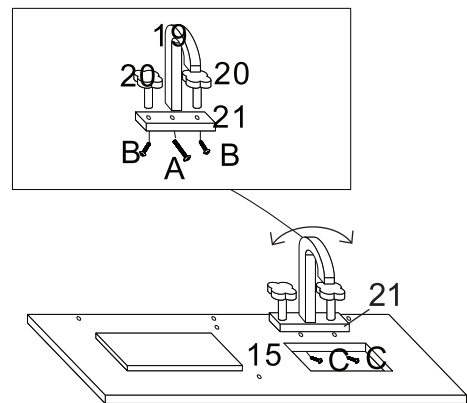
Secure Panels 10 and 11 to Panel 9 (Rail) using 2 x Screws B.
Insert 1 x Wooden Dowel E to each of the bottom holes of Panels 10 and 11, join to Panel 12.
Secure Towel Rail to Panel 12 using 2 x Screws A.

Step 7



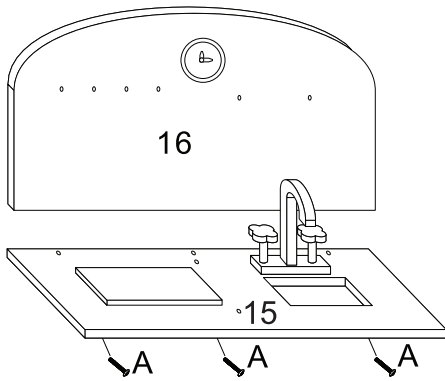
Insert Back Panels 13 and 14 to backside.

Step 8



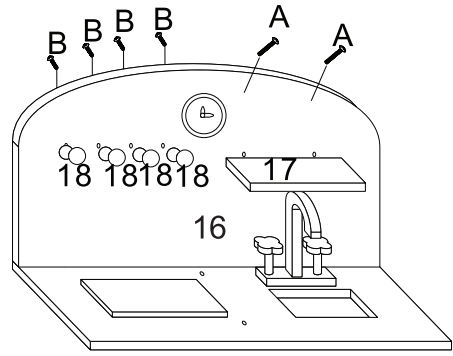
Secure Panel 19 (Tap Faucet) to panel 21 using 1 x Screw A.
NB: When Panel 19 (Tap Faucet) is assembled it should move left and right (like a normal tap).
Secure 2 x Panels 20 (Taps) to Panel 21 using 2 x Screws B.
Secure Panel 21 (with Tap Faucet and Taps already secured) to Panel 15 using 2 x Screws C.

Step 9



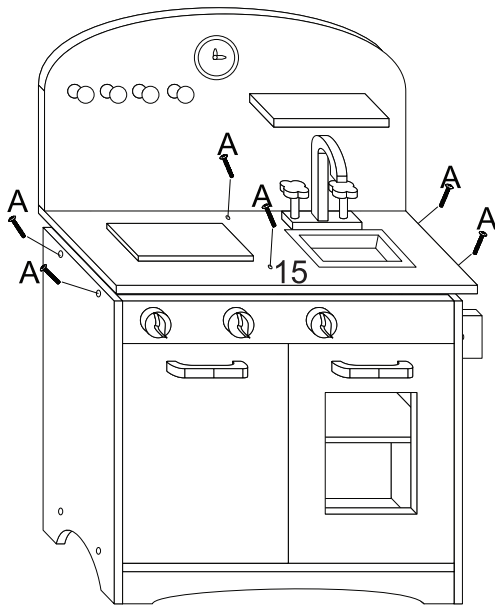
Secure Panel 16 to Panel 15 using 3 x Screws A.

Step 10



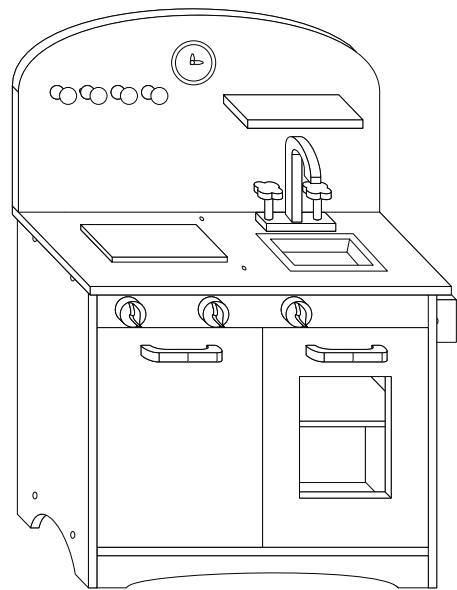
Secure 4 x Panel 18 (Utensil Hook) to Panel 16 using 4 x Screws B. Secure Panel 17 (Shelf) to Panel 16 using 2 x Screws A.

Step 11



Secure Panel 15 using 6 x Screws A.

Step 12



The Kids Retro Play Kitchen assembly is now complete.