

**IMPORTANT! RETAIN THESE INSTRUCTIONS FOR FUTURE REFERENCE.
ASSEMBLY TO BE CARRIED OUT BY A COMPETENT ADULT ONLY.**

PRE-ASSEMBLY

- Check all parts are present before you start to assemble the product. Place small part on a tray or similar to ensure they are not lost. The manufacturing process can very occasionally result in sharp edges/waste material so please take care when assembling this product.
- If any parts are missing do not use the product until the replacement parts are fitted.
- Ensure your product is sited on level ground. Failure to do this may put additional stress on connections and joints and in time could cause them to fail.
- Ensure your product is located on a soft impact surface like grass. Never locate your product on hard surfaces like concrete.

MAINTENANCE

- All parts should be checked by an adult at the beginning of each season and at regular intervals during the usage season to ensure it is safe. Pay special attention to all connections and fastenings.
- Check all screws for tightness and tighten when required.
- The ground on which the product is set up should be cleared regularly. All objects such as stones or anything else could cause injury in the case of fall should be removed.
- Avoid locating this product in full sun for prolonged periods. If the product is stored outside in direct sunlight we recommend that it is covered to ensure longevity of use.
- Any Changes to this product e.g. changing or adding an accessory, must be done in accordance with our instructions, failure to do this will render your guarantee null and void and may make your product unsafe.

TIMBER CARE

Minor twisting, warping, cracking and any other natural occurring property of wood will occur. **PLEASE NOTE:** These occurrences are cosmetic and will not affect the strength or integrity of the product, if you have any concerns or queries please contact the after sales service for further assistance.

All outdoor wooden products require routine inspection and regular maintenance. After installation, a follow-up inspection should take place after one week and twice a month thereafter for the remaining life of your play products.

Maintenance should be performed at any time it is deemed necessary. As a general rule, major maintenance (wood refinishing) should be performed at six month intervals from the date of installation.

Major wooden parts: Inspect for splintering and structure defects at regular intervals. For minor splinters or chipping, lightly sanding and refinish with an exterior water repellent stain can assist.

IMPORTANT

**If living in an area prone to termites, please ensure any timber is treated with termite protection.
We hope you have a safe and enjoyable time using this product.**

WARNINGS / SAFETY ADVICE



1. Product assembly to be carried out by a competent adult only – in accordance with the instructions.
2. **WARNING:** Product to be used under the direct supervision of an adult.
3. **WARNING:** Not suitable for children under 3 years old.
4. **WARNING:** Remove all packaging before giving to your children.
5. **WARNING:** The sand pit is intended for outdoor, domestic use only.
6. **WARNING:** DO NOT use this product if any part is broken, torn or missing. Please contact your supplier and spare parts can be supplied – please use only parts approved by the manufacturer.
7. Please keep children away from the work area during assembly of this product – due to small parts and risk of injury.
8. Once assembled, this product is NOT designed to be dismantled, transported and reassembled.
9. Dispose of all packaging carefully and responsibly.
10. We advise you to keep these instructions in a safe place in case required for future use.
11. This product is suitable for children aged 3+ years.
12. The maximum user weight is 100kg.
13. Can hold maximum 200kg of sand.
14. Regular check all fastenings to ensure that they are properly tightened.
15. **CAUTION!** This product includes timber and/or fabric. PLEASE KEEP AWAY FROM FIRE.
16. Please note this is a natural product and as such should be checked for any rough surfaces before use, if required these should be lightly sanded in order to prevent injury.

TOOLS REQUIRED



Electrical Screwdriver or
Phillips Head Screw Driver (not supplied)

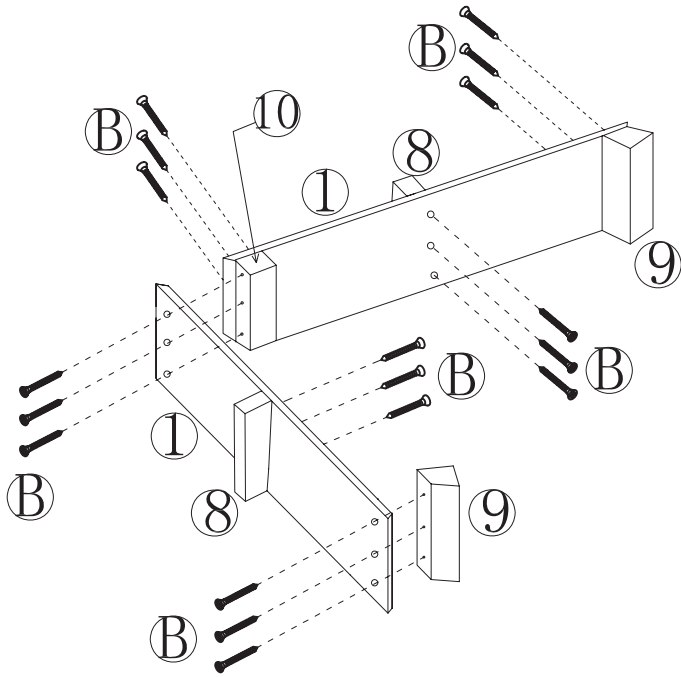


PARTS AND HARDWARE

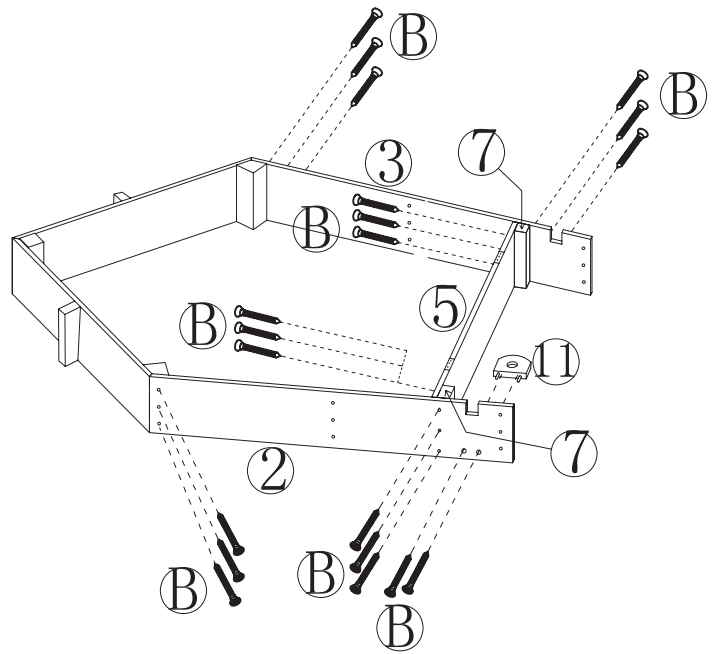
			9		2pcs
			10		1pc
			11		1pc
			12		1pc
1		2pcs	13		1pc
2		1pc	14		1pc
3		1pc	15		1pc
4		1pc	16		1pc
5		1pc	17		1pc
6		2pcs	A	Ø6 x 35	1pc
			B	3.5 x 35	69pcs
			C	3 x 16	6pcs
7		2pcs	D		1pc
8		4pcs	E		1pc

ASSEMBLY

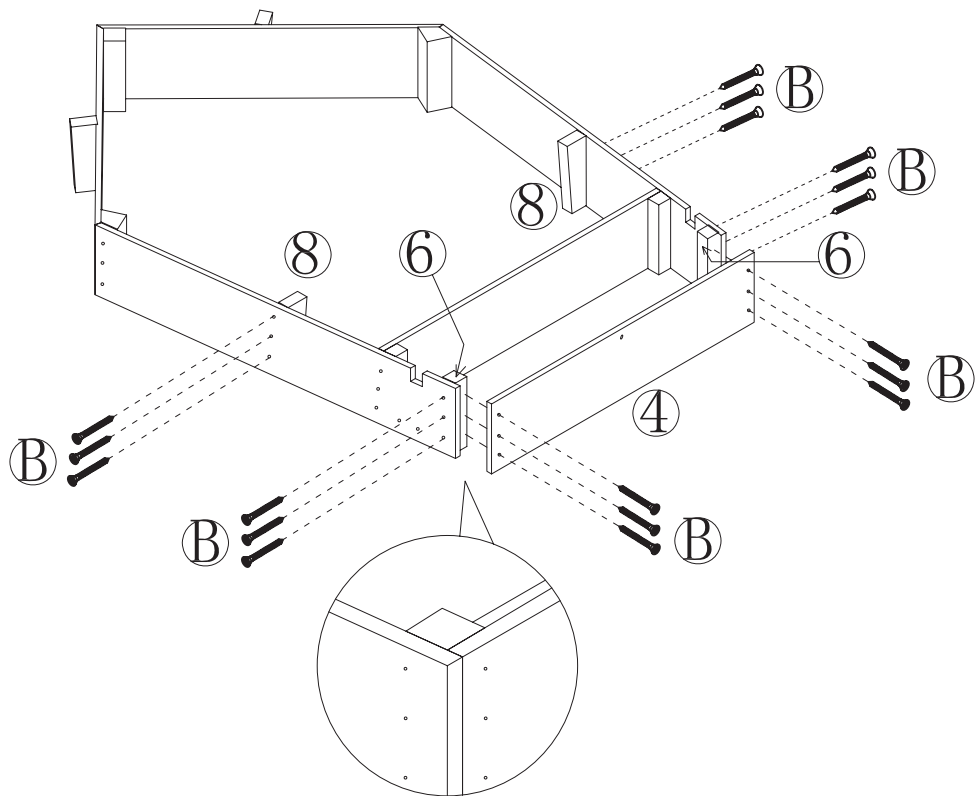
Step 1



Step 2

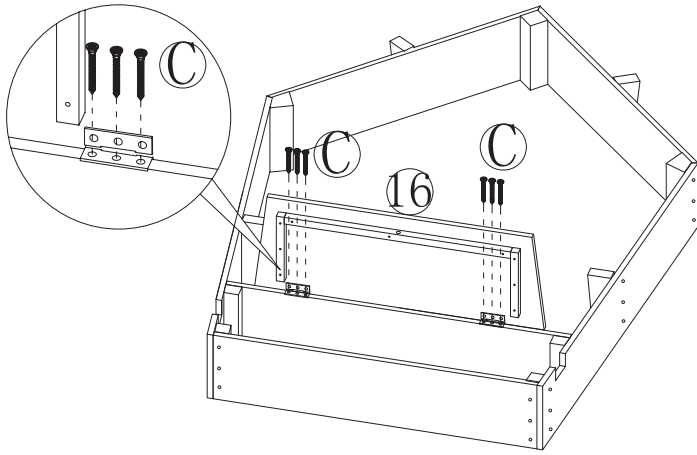


Step 3

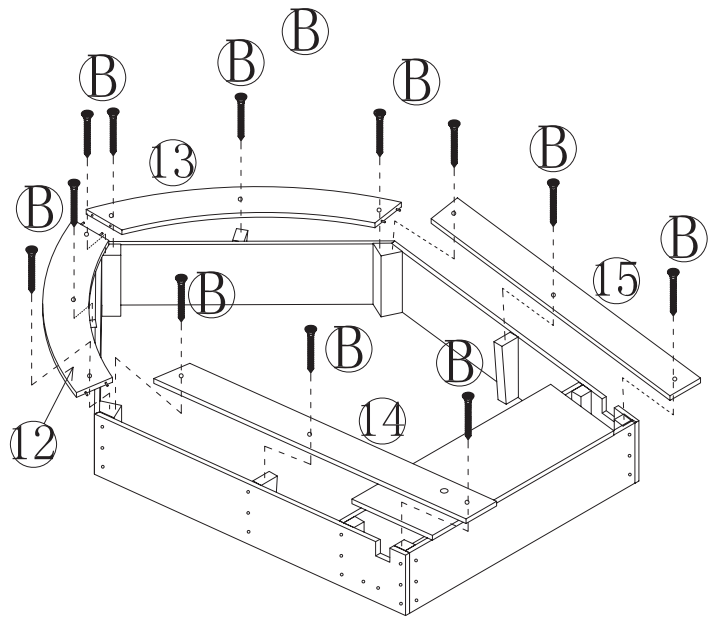


ASSEMBLY

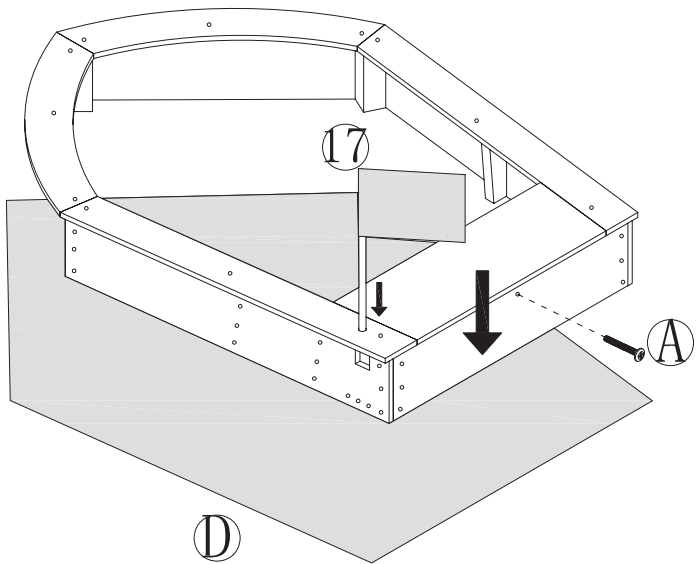
Step 4



Step 5



Step 6



Step 7

