









**IMPORTANT! RETAIN THESE INSTRUCTIONS FOR FUTURE REFERENCES.  
ASSEMBLY TO BE CARRIED OUT BY A COMPETENT ADULT ONLY.**



**TABLE PRODUCT PARTS**

			
Wooden Table Top x 1	Main Table x 1	Table Leg x 4	Positioning Part x 2
			
Hanging Rail x 1	Non-slip feet for table legs x 4	Storage Tray x 2	

**CHAIR PRODUCT PARTS**

			
Chair Back Rest x 1	Chair Seat x 1	Chair Leg x 4	Non-slip feet for chair legs x 4



**NO TOOLS REQUIRED**

## HEIGHT ADJUSTABLE LEGS

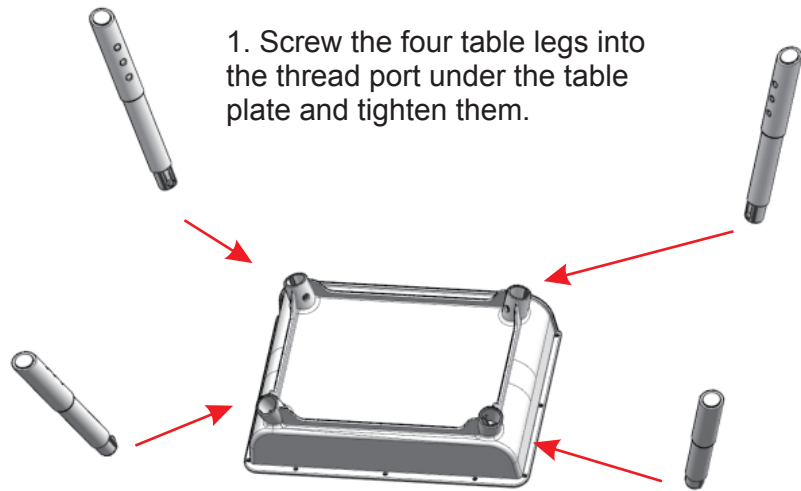


The table and chair legs are both height adjustable to 3 different heights to grow with your child.

The table can be adjusted from H490mm, H520mm, H550mm.

Simply grip the table or chair leg as pictured and press in the locking button to move the leg to a new height position.

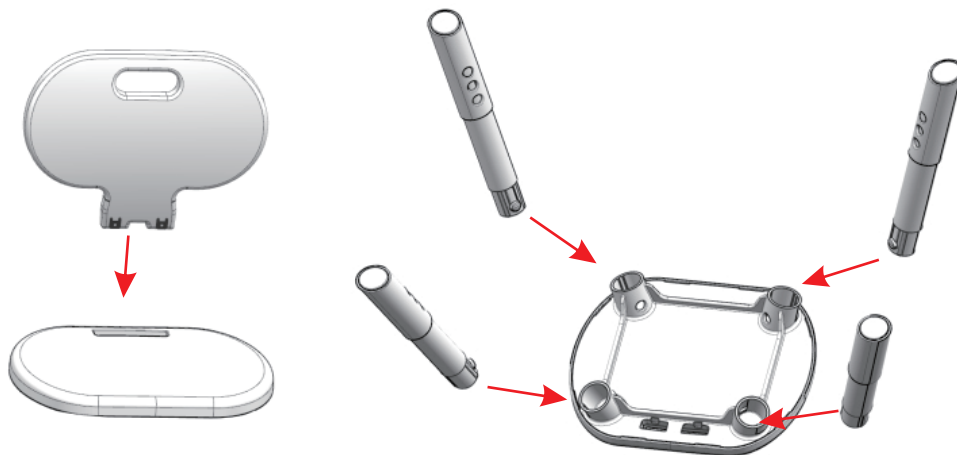
## TABLE ASSEMBLY



1. Screw the four table legs into the thread port under the table plate and tighten them.



## CHAIR ASSEMBLY



1. Insert the back rest vertically in to the seat and tighten the buckle.

2. Screw the four chair legs into the thread port under the table plate and tighten them.

## CARE/CLEANING INSTRUCTIONS

- Wipe clean with a damp cloth to ensure that the product is completely dry and tidy before storing.
- Store in a dry and ventilated area to prevent mildew.
- DO NOT use bleach or chemical solutions to clean the product.
- DO NOT expose to sunlight or other heat sources for a prolonged period.

## SAFETY TESTED

The product conforms to:

EN71 Part 1:2014+A1:2018 / EN71 Part 2:2020 / EN71 Part 3:2019+A1:2021 / BS EN17191:2021.  
FIRA FRQG C001:2021 / FIRA FRQG C004:2016+A1:2017 / FIRA FRQG C003:2021

## WARNINGS

1. DO NOT use this product if any part is broken, torn or missing. Please contact your supplier and spare parts can be supplied – please use only parts approved by the manufacturer.
2. DO NOT place this product near a window, as it can be used as a step by the child and cause the child to fall out of the window.
3. DO NOT place this product near a window where cords from blinds or curtains may strangle a child
4. Be aware of the risk of open fires and other sources of strong heat in the vicinity of the product.
5. Please keep children away from the work area during assembly of this product – due to possible risk of injury.
6. The maximum loading weight of the product is 40 KG.
7. No tools are required to assemble this product.
8. This product is suitable for children in the age range of 3 to 7 years old.