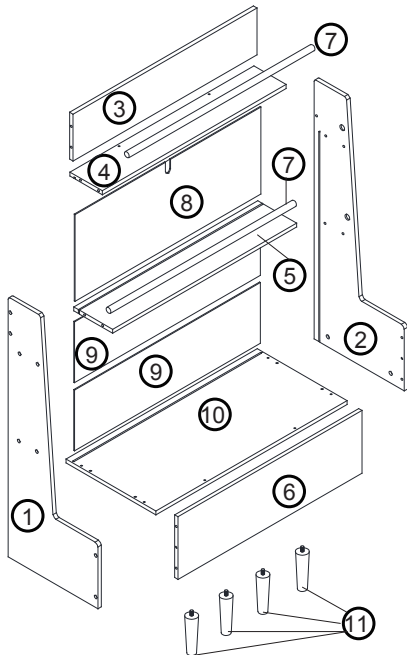
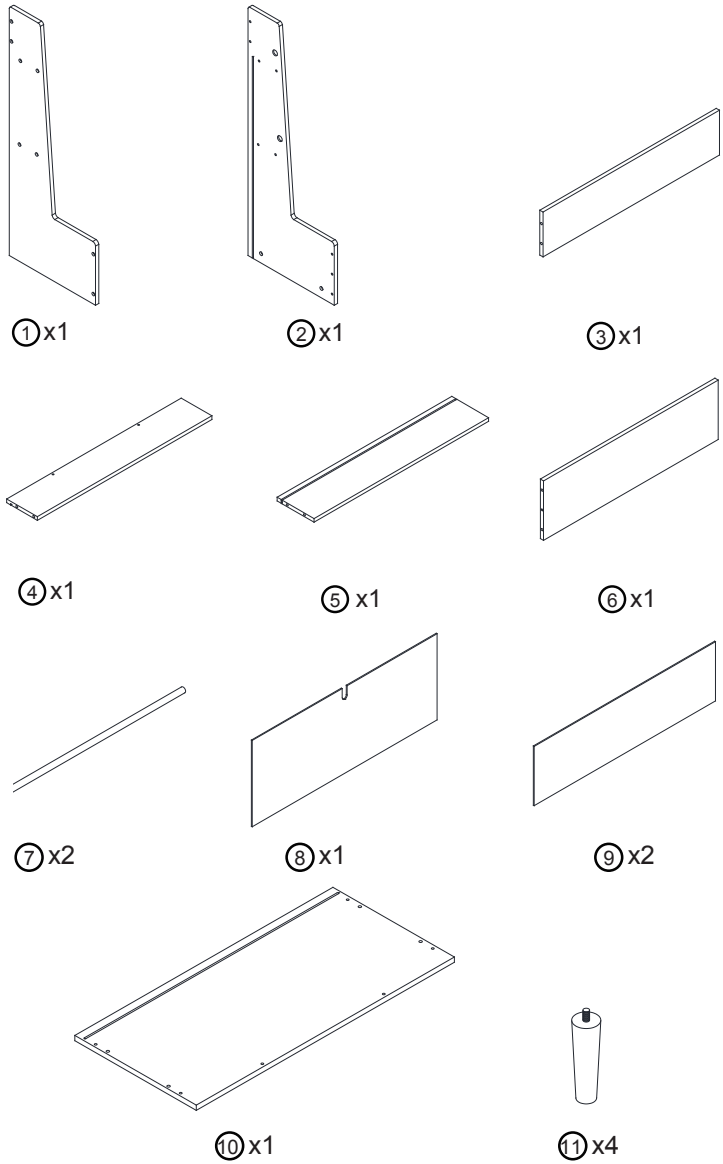
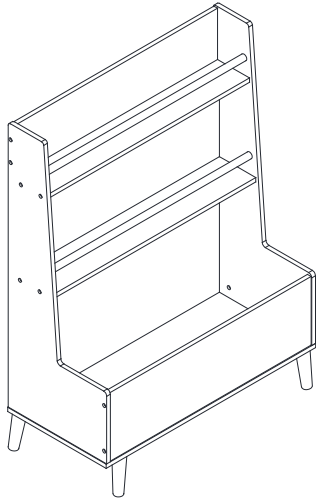


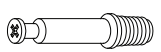




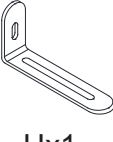







**IMPORTANT! RETAIN THESE INSTRUCTIONS FOR FUTURE REFERENCES.  
ASSEMBLY TO BE CARRIED OUT BY A COMPETENT ADULT ONLY.**

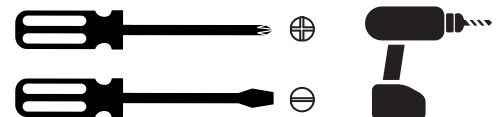
**PART LIST AND HARDWARE**



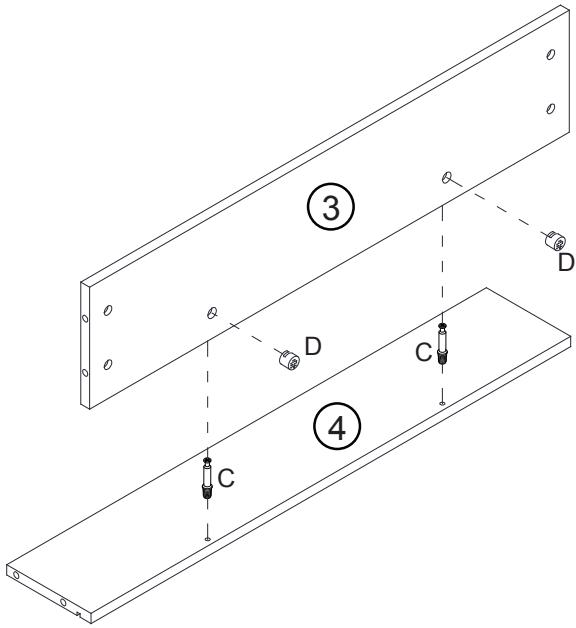
								
M6x40	Ø10x10	M6x38	Ø12x10	M6x25		M4x30		M4x10
Ax16	Bx16	Cx8	Dx8	Ex6	Fx1	Gx1	Hx1	Ix21
								
Jx4	M3x14 Kx8	Lx8	Mx1					

**TOOLS  
REQUIRED**

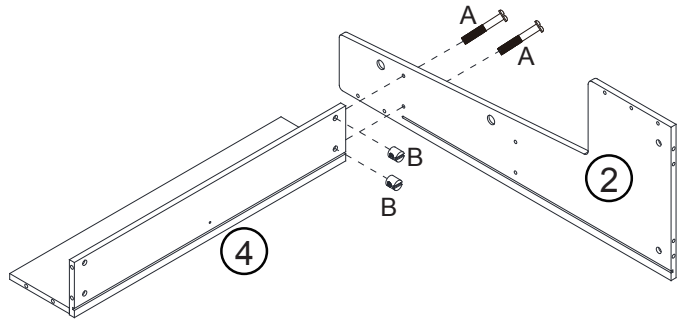
1. Phillips Head Screw Driver (not supplied)
2. Flat Head Screw Driver (not supplied)
3. Drill + 6mm Drill Bit (not supplied)



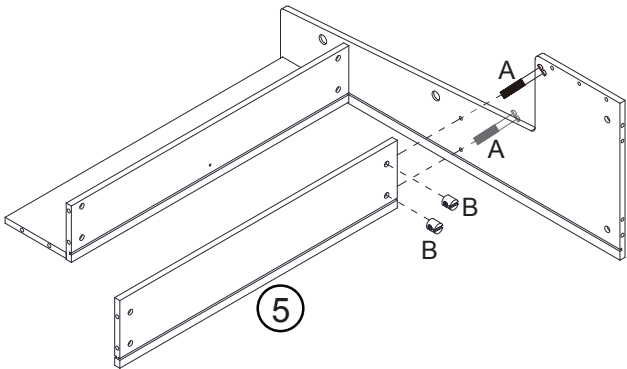
1



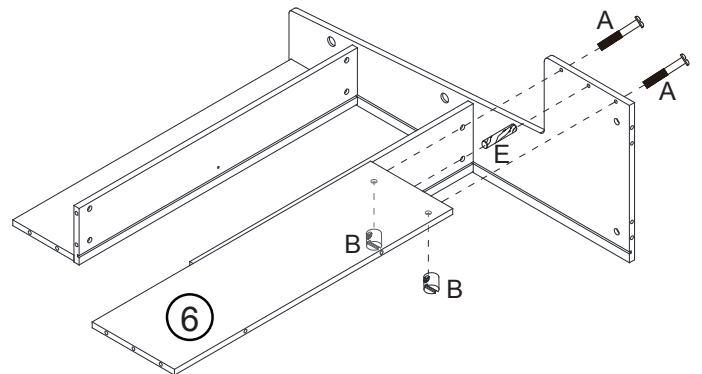
2



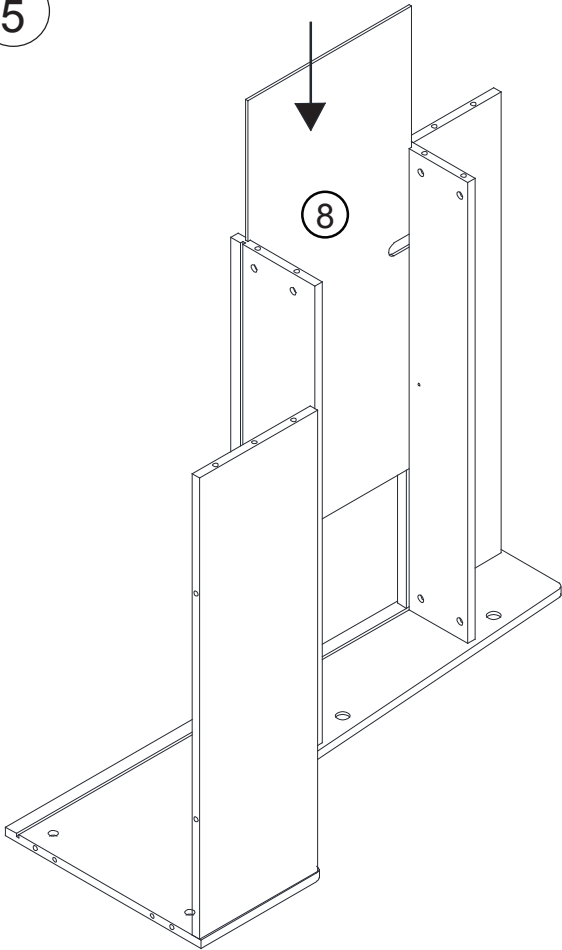
3



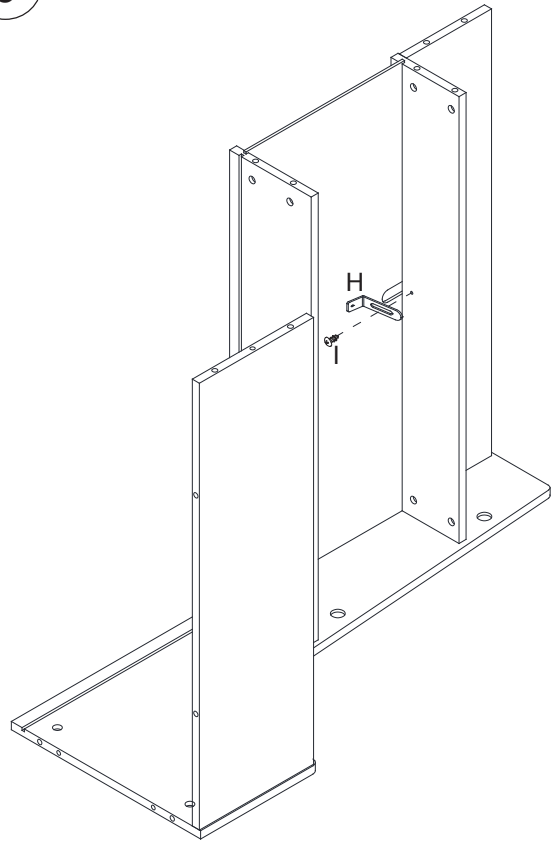
4



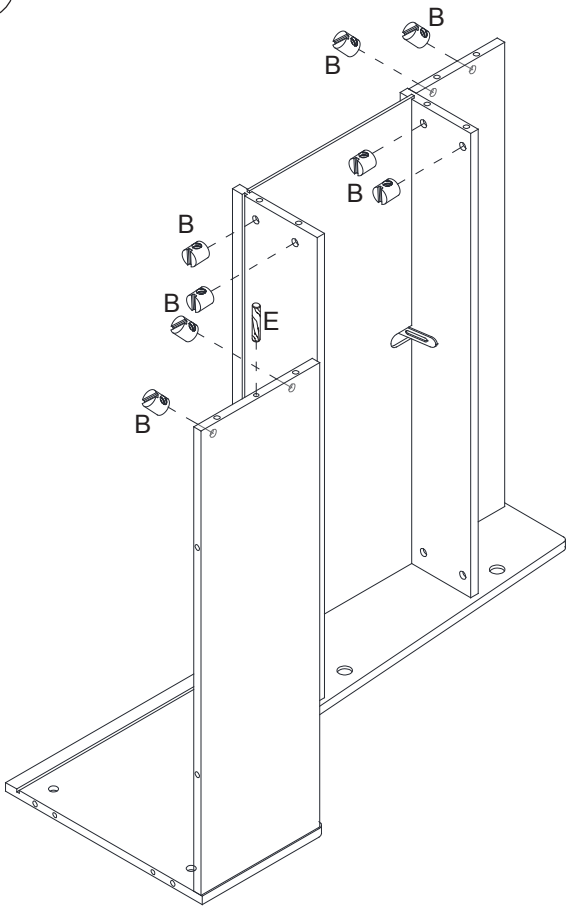
5



6

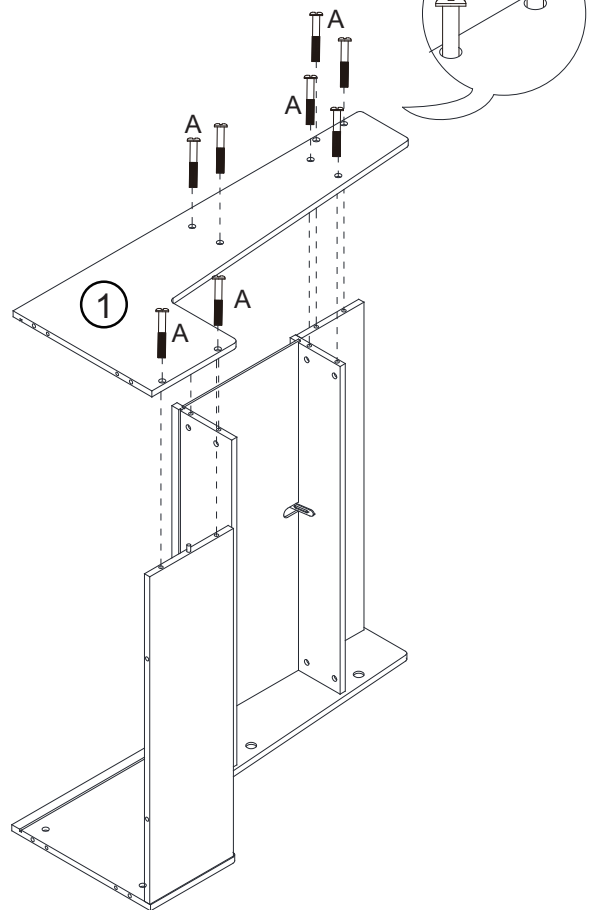


7



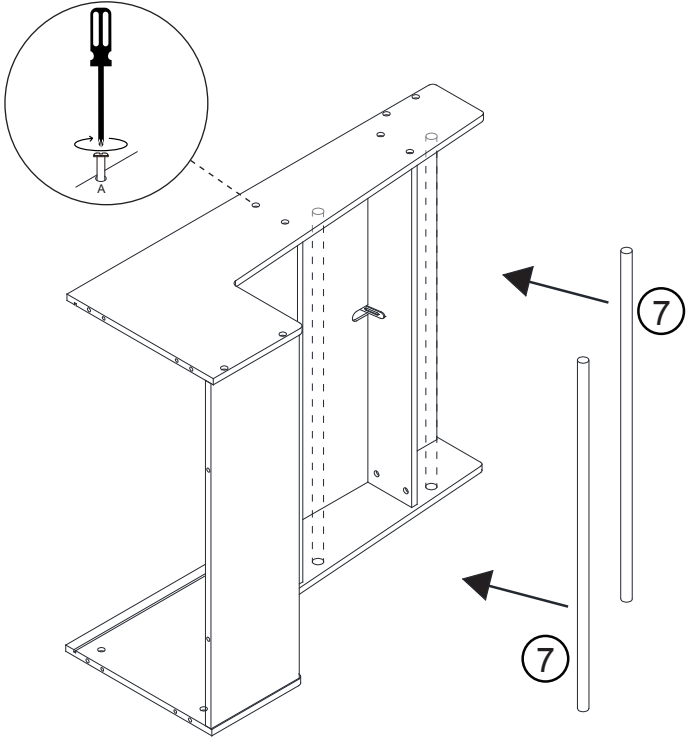
8

**SCREW A:  
DO NOT LOCK TIGHTLY.**

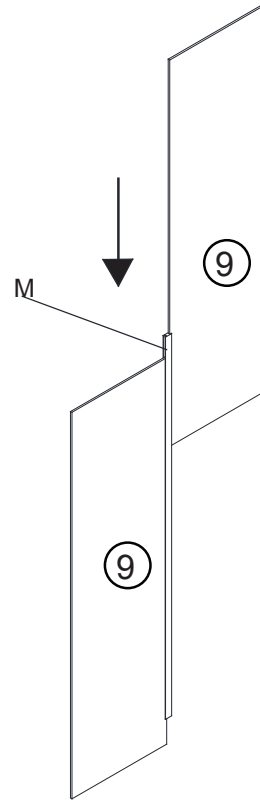


9

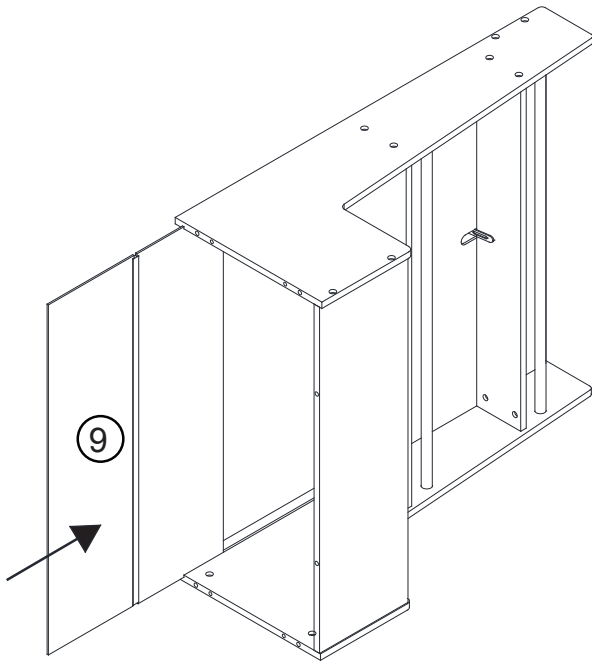
INSERT PART 7 BEFORE LOCKING SCREW A TIGHTLY.



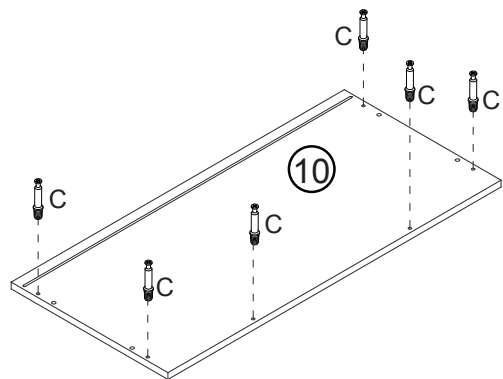
10



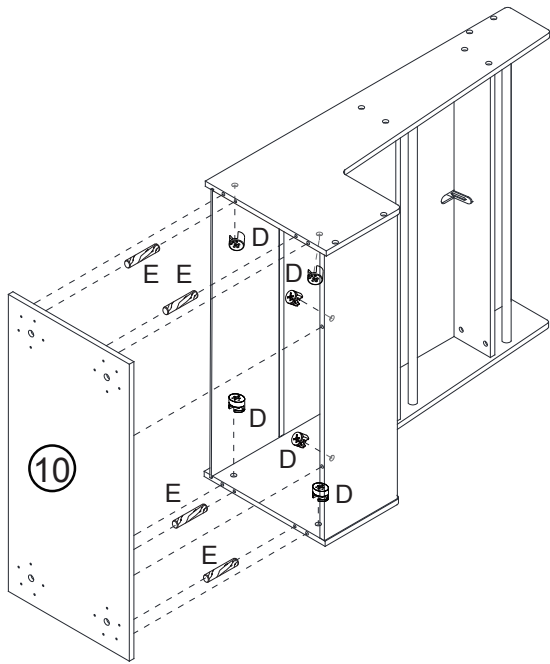
11



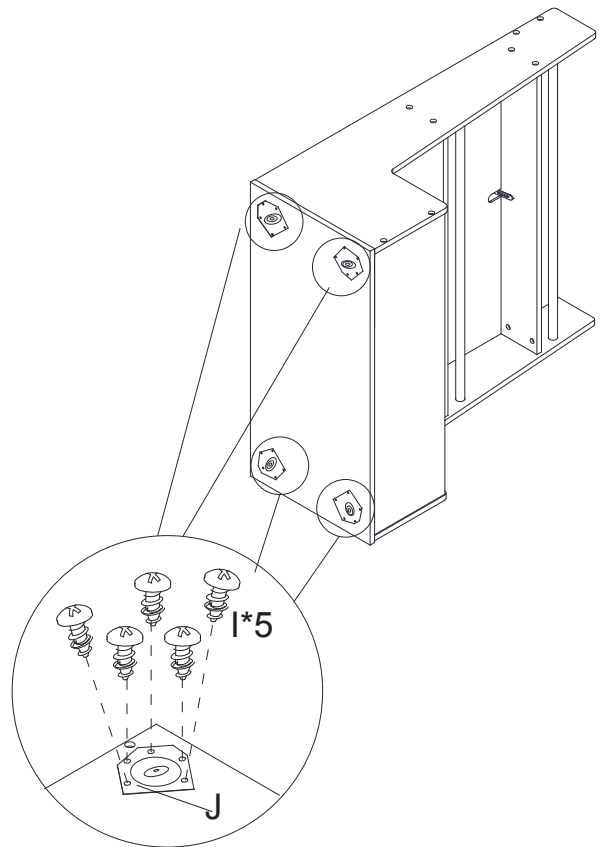
12



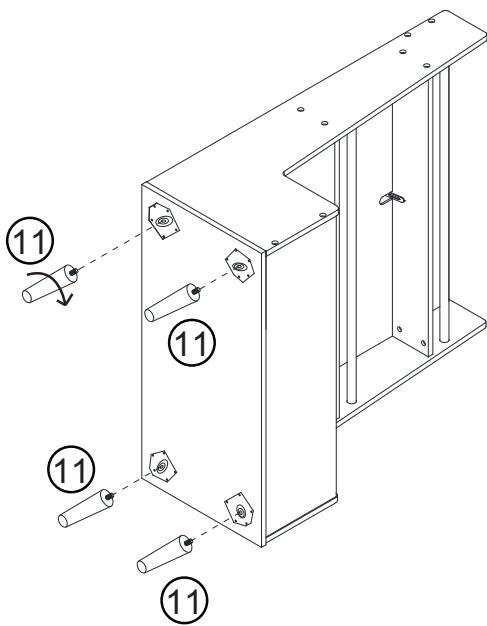
13



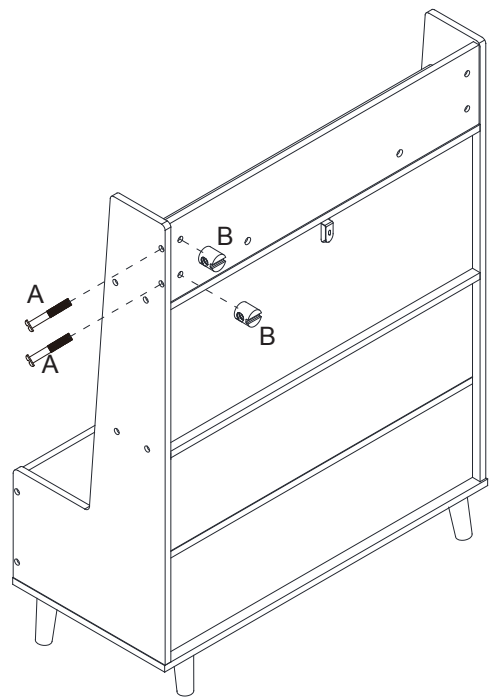
14



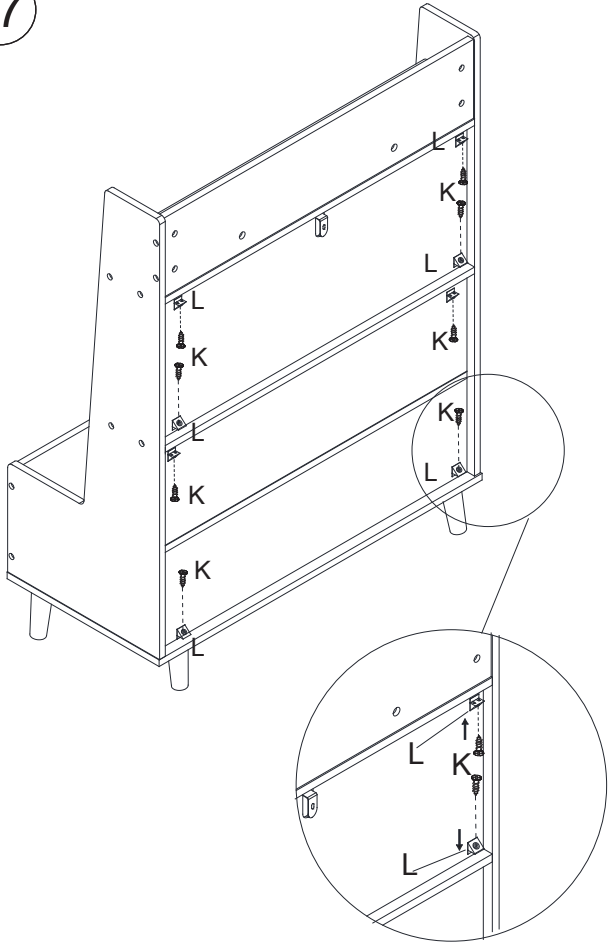
15



16



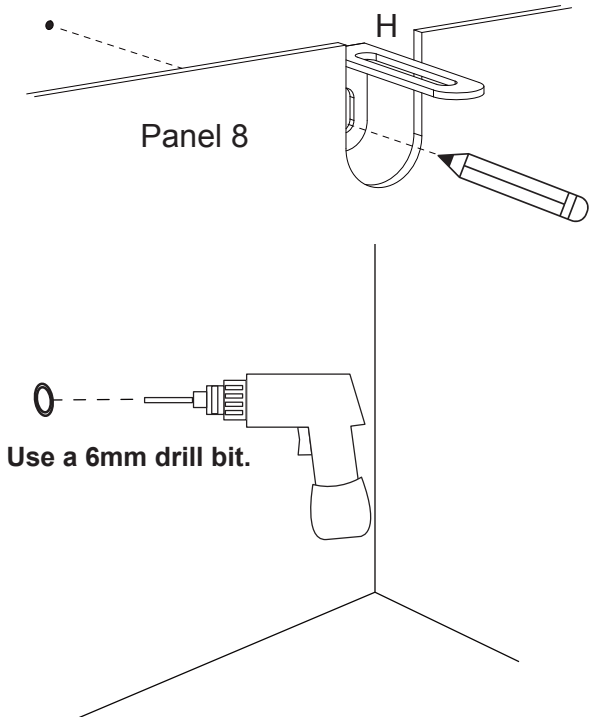
17



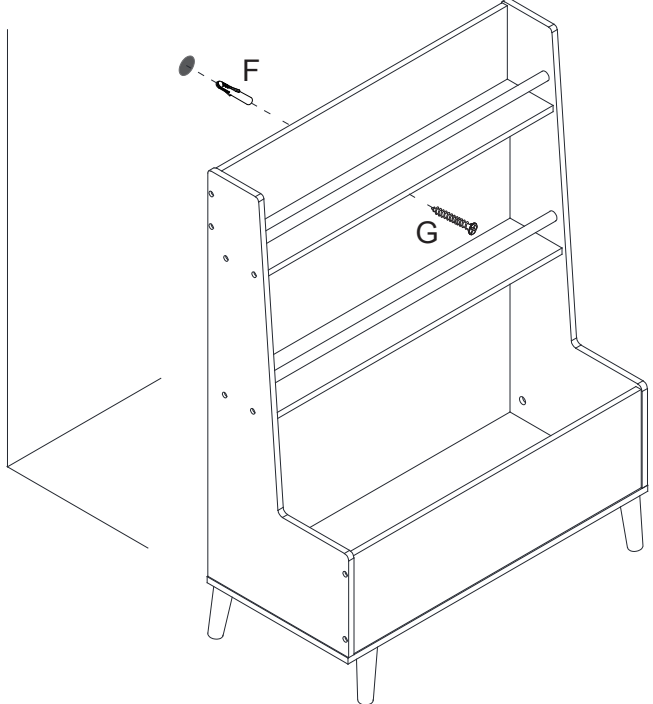
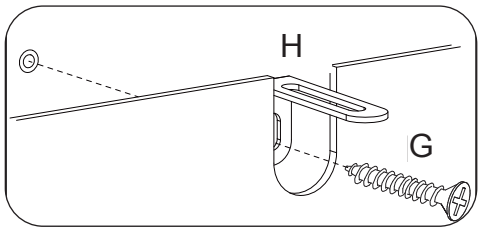
18

**FOR STABILITY SECURE WITH WALL FIXING**

Locate the unit in position and make a pencil mark through the hole in the back shelf – to mark position for the wall screw.

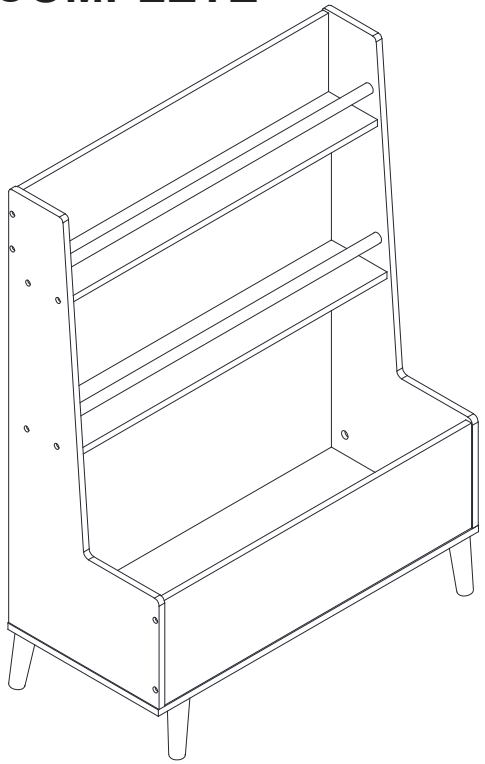


19



20

**COMPLETE**



## CARE/CLEANING INSTRUCTIONS

- Wipe furniture with a soft dry cloth, do not use paper as this may be abrasive to the finish.
- The unit should be cleaned with a damp cloth and dried with a dry cloth.
- DO NOT use bleach or chemical solutions to clean the product.
- DO NOT expose to sunlight or other heat sources for a prolonged period.
- DO NOT store or leave outside.
- Periodically check the tightening of legs and screws.

## SAFETY TESTED

The product conforms to:  
FIRA FRQG C001:2021 / FIRA FRQG C004:2016+A1:2017

## WARNINGS

1. **WARNING: Serious or fatal crush injuries can occur from furniture tip over. ALWAYS secure this unit to wall with wall fixings supplied.**
2. **WARNING: DO NOT use this product if any part is broken, torn or missing. Please contact your supplier and spare parts can be supplied – please use only parts approved by the manufacturer.**
3. **Please keep children away from the work area during assembly of this product – due to small parts.**
4. **Once assembled, this product is NOT designed to be dismantled, transported and reassembled.**
5. **Dispose of all packaging carefully and responsibly.**
6. **We advise you to keep these instructions in a safe place in case required for future use.**
7. **Assembly to be carried out by a competent adult only.**
8. **This product is suitable for children in the age range of 3 to 12 years old.**
9. **The maximum loading weight of the product is 20 KG.**
10. **Regular check all fastenings to ensure that they are properly tightened.**