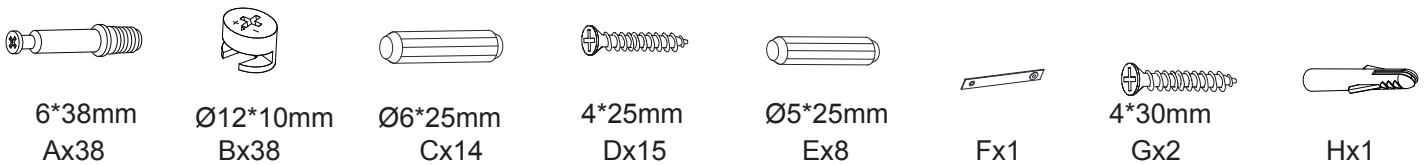
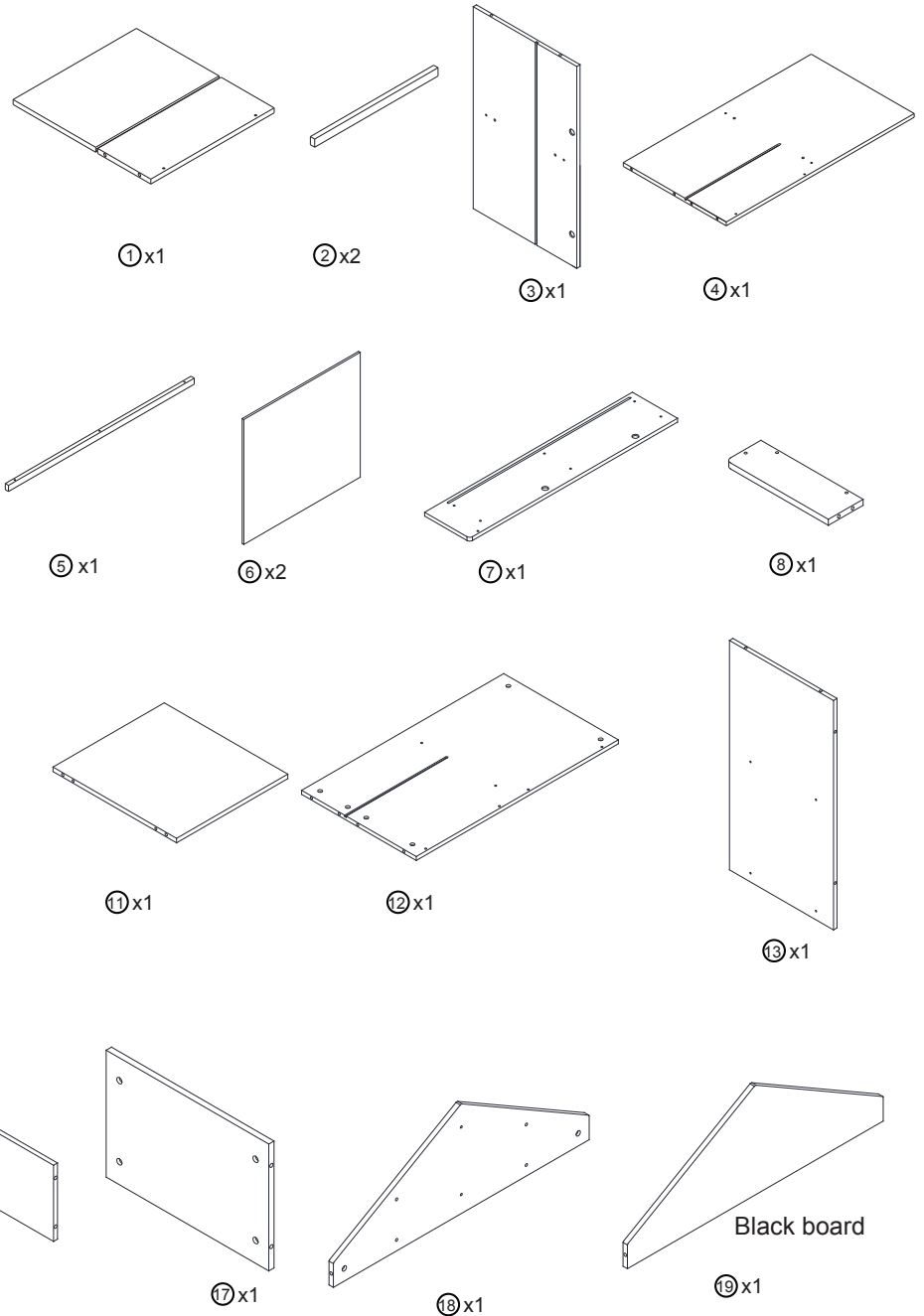
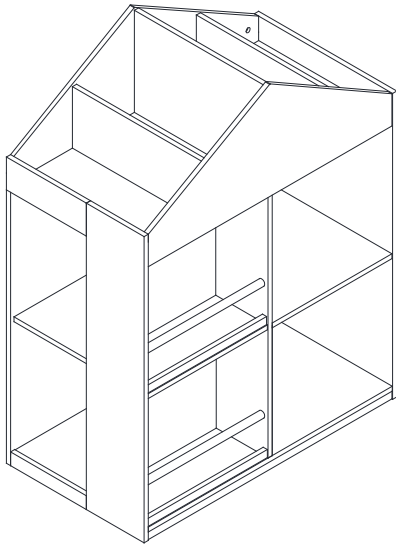


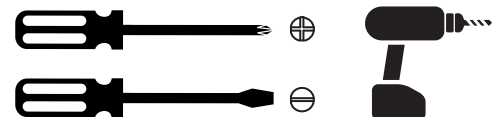
**IMPORTANT! RETAIN THESE INSTRUCTIONS FOR FUTURE REFERENCES.
ASSEMBLY TO BE CARRIED OUT BY A COMPETENT ADULT ONLY.**

PART LIST AND HARDWARE

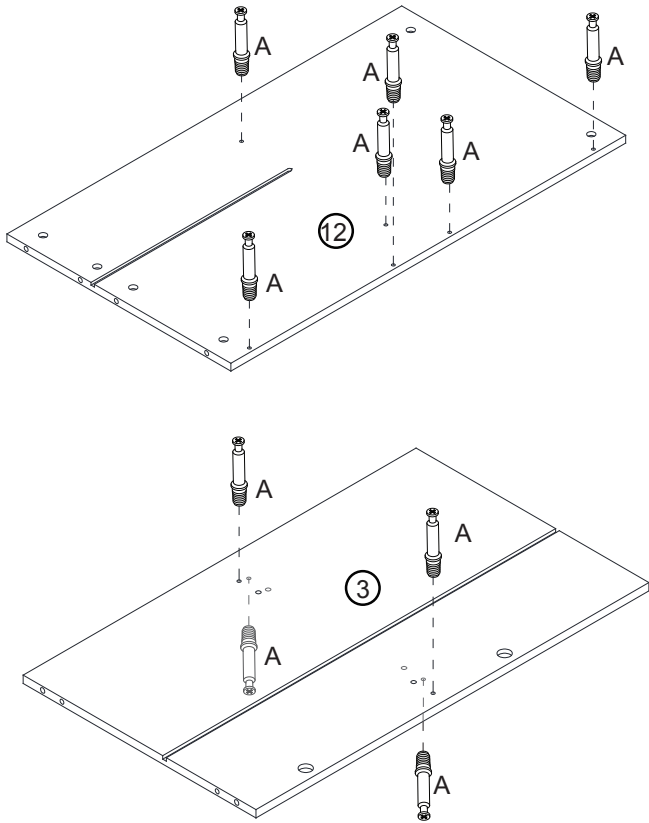


**TOOLS
REQUIRED**

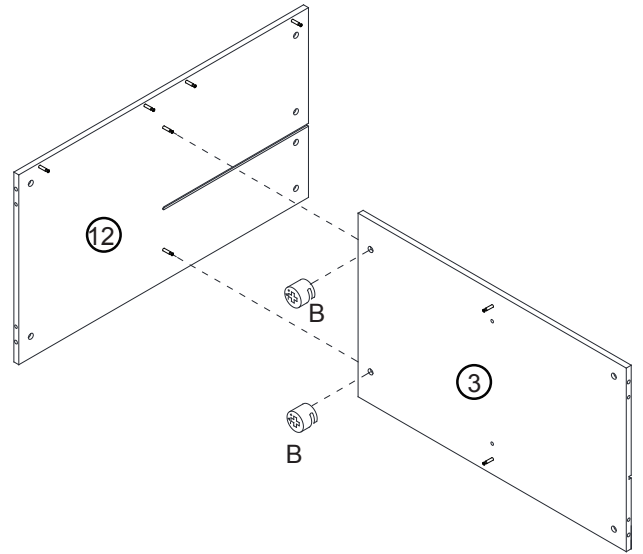
1. Phillips Head Screw Driver (not supplied)
2. Flat Head Screw Driver (not supplied)
3. Drill + 6mm Drill Bit (not supplied)



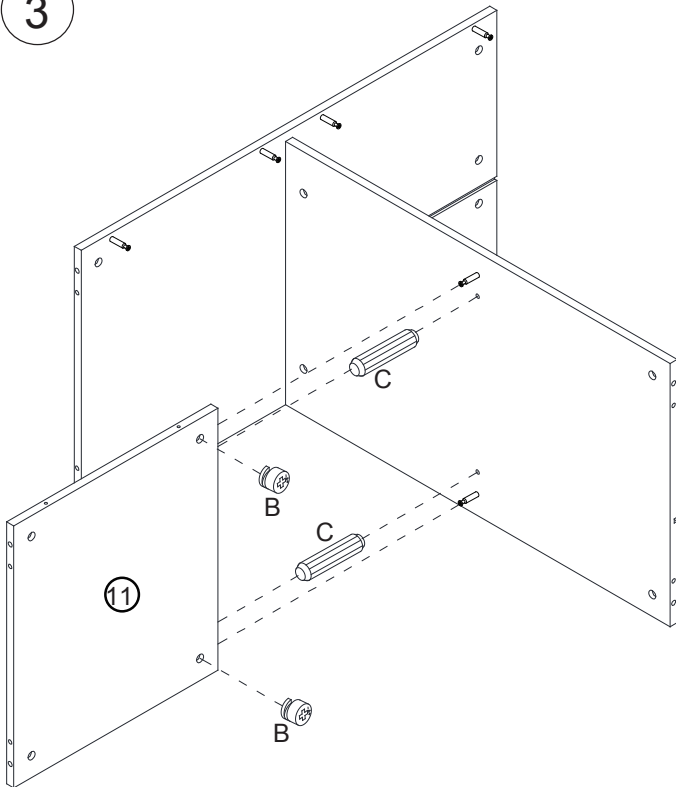
1



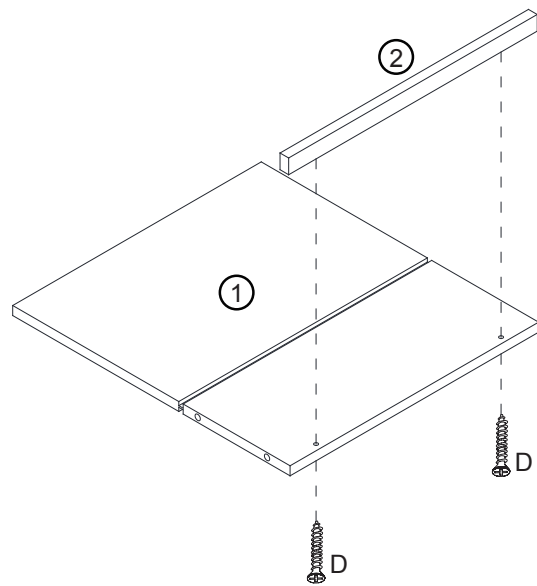
2



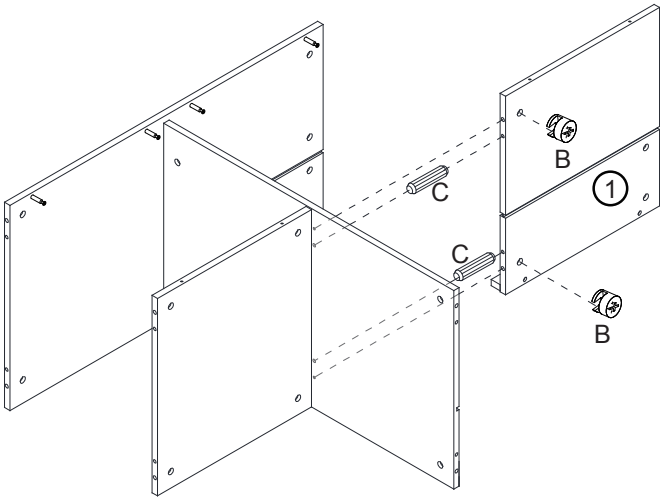
3



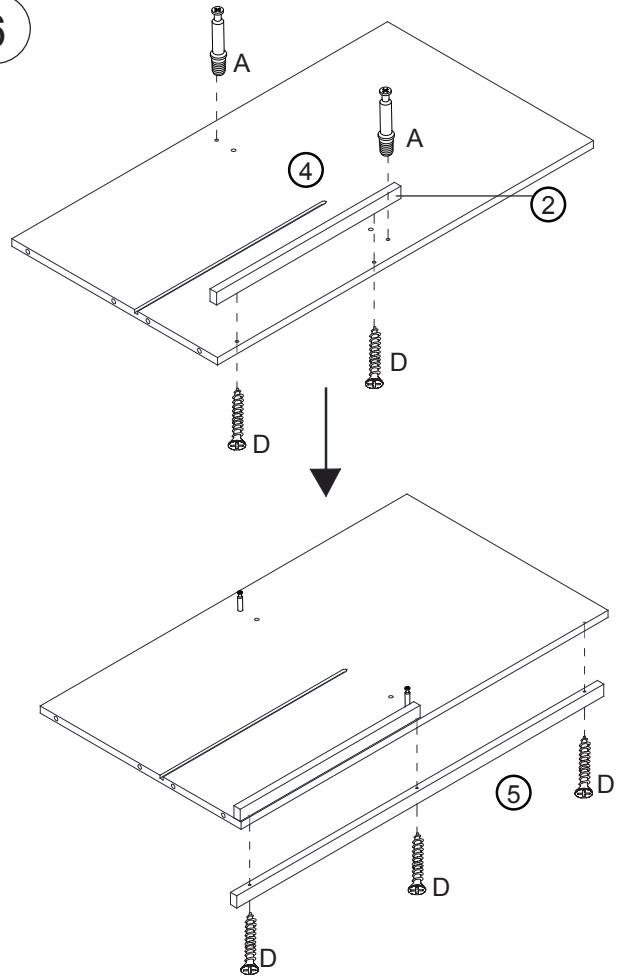
4



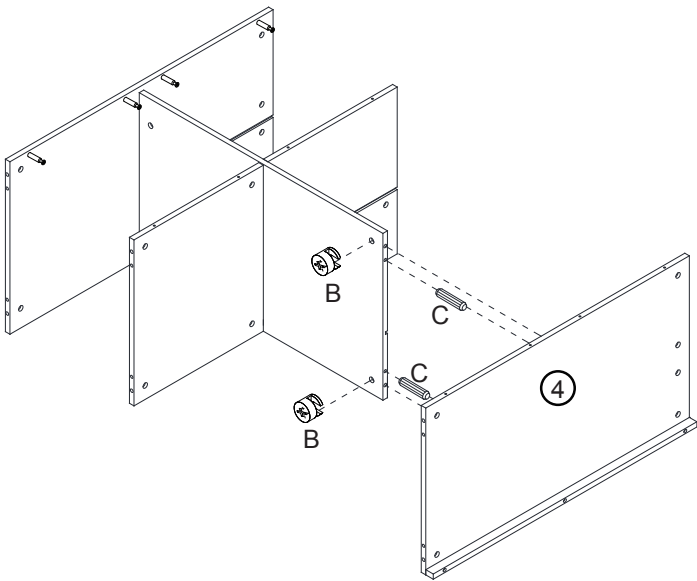
5



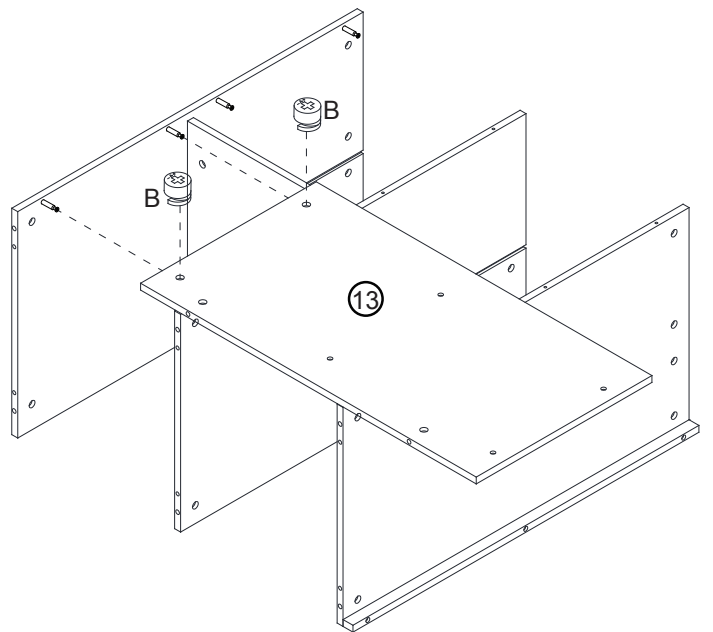
6



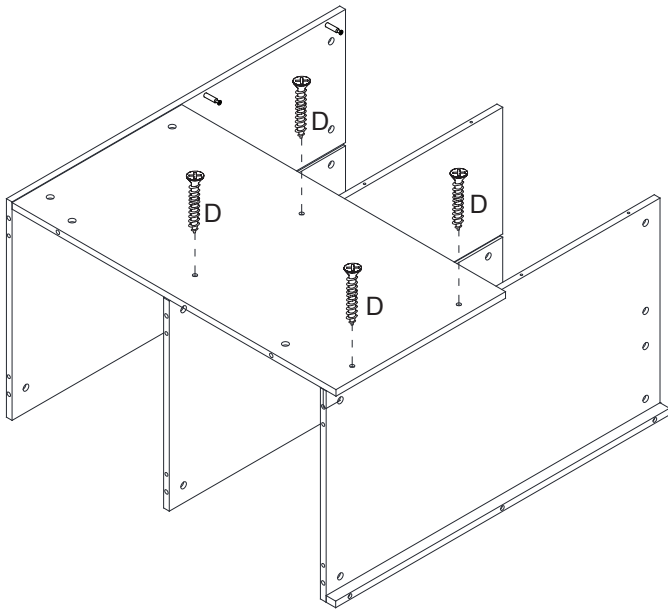
7



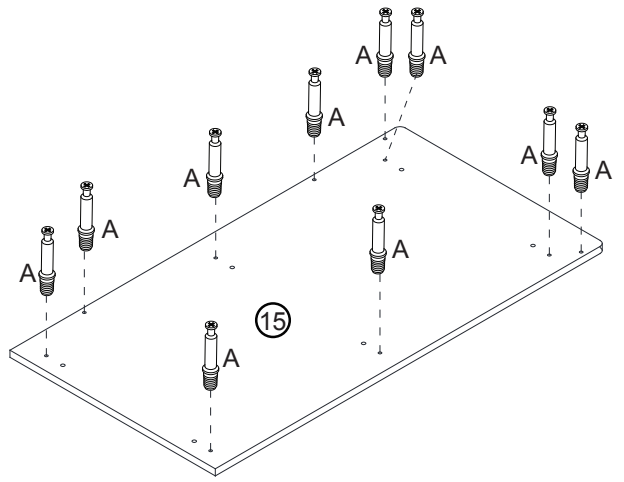
8



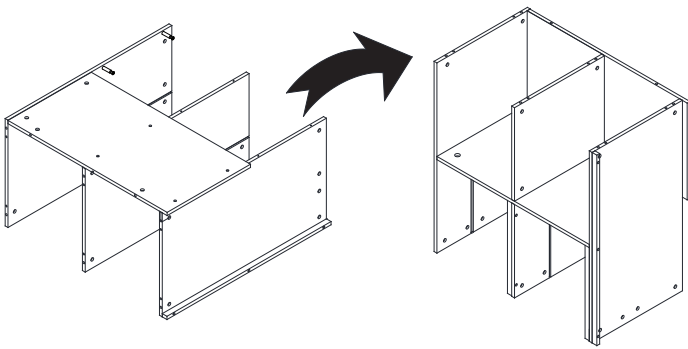
9



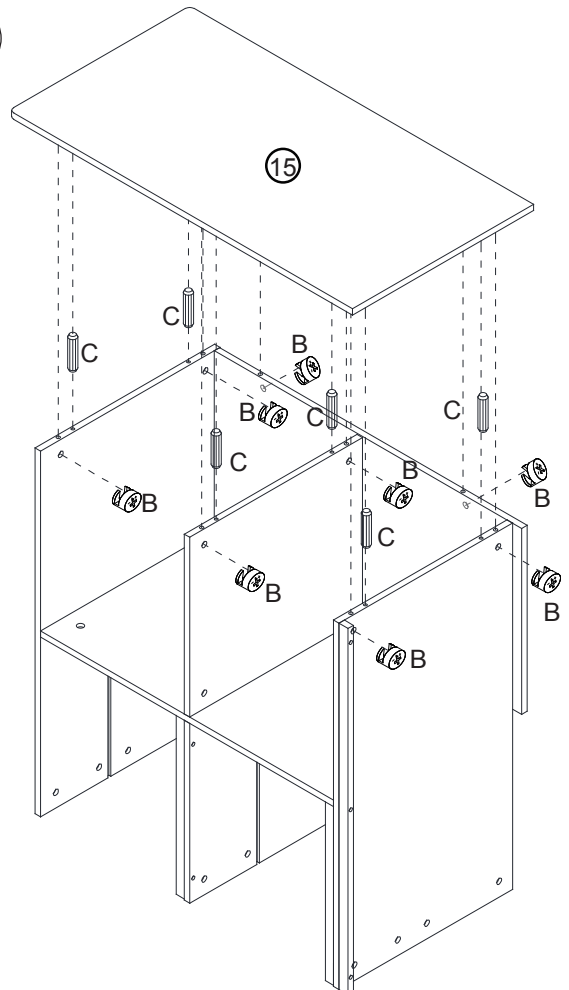
10



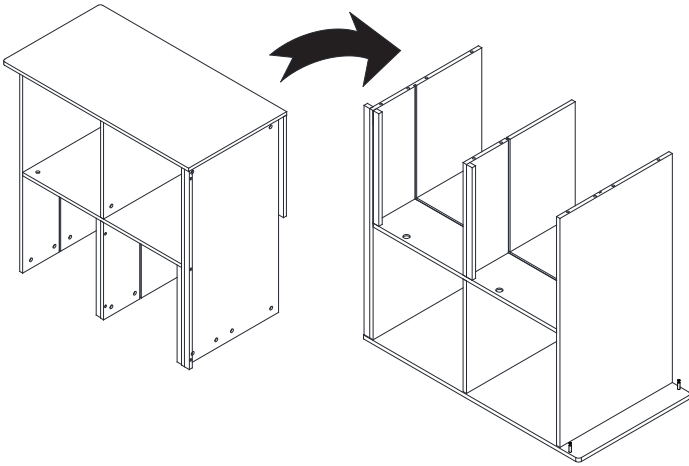
11



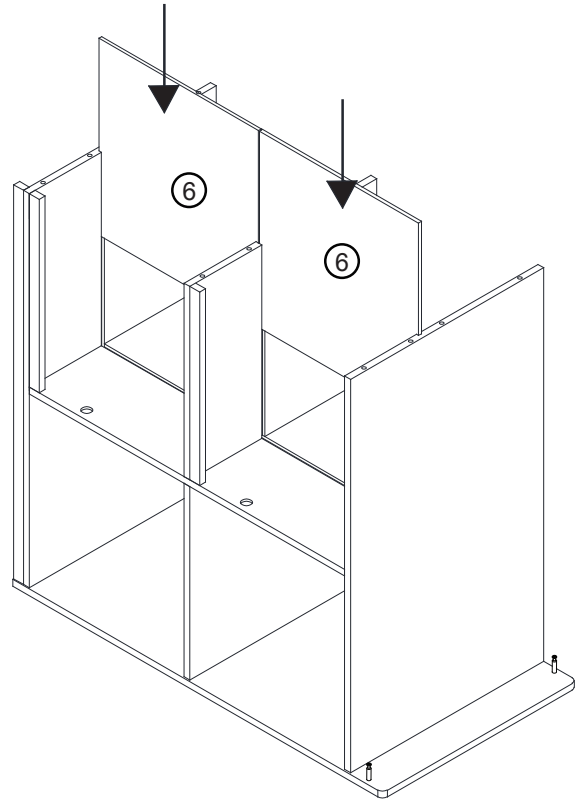
12



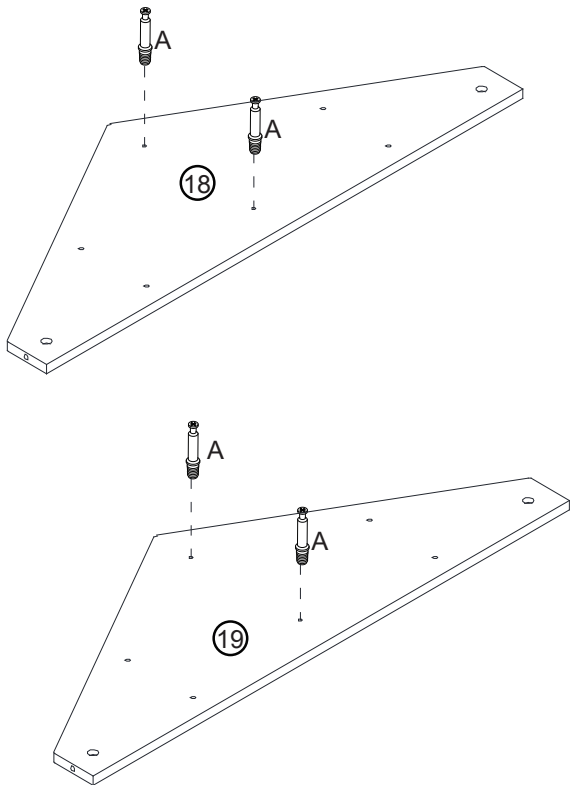
13



14



15



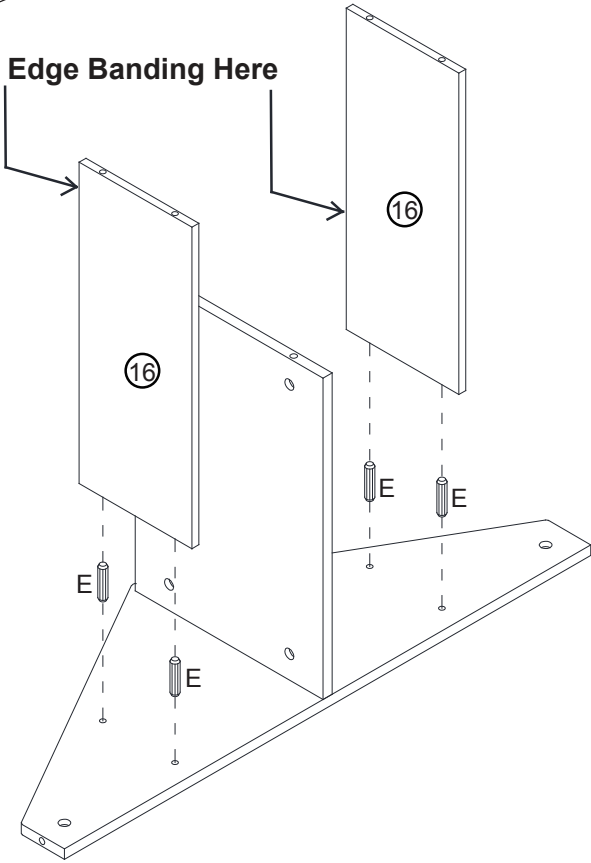
16

Edge Banding Here

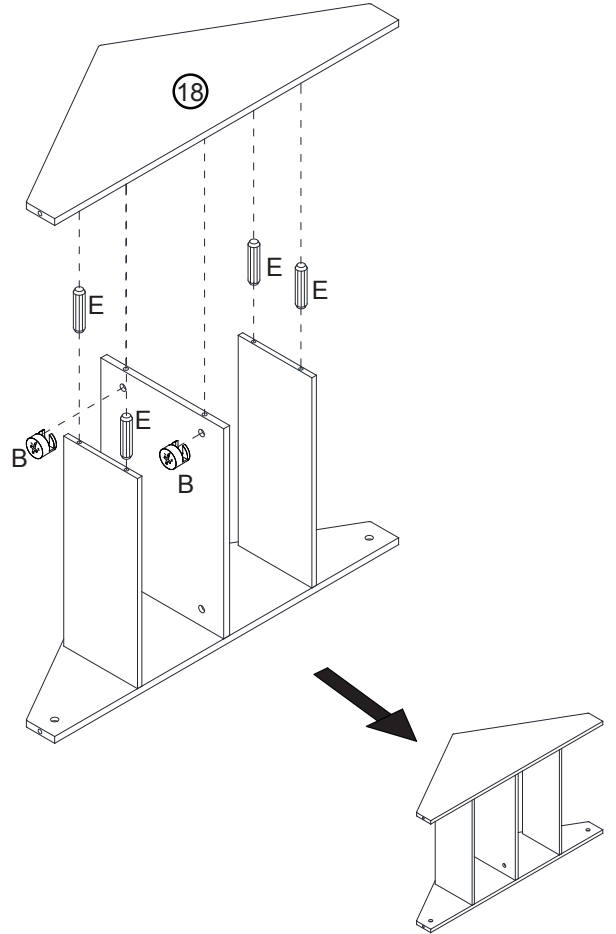
Diagram 16 shows a rectangular panel, labeled 17, being attached to the bottom of panel 19. The text "Edge Banding Here" with an arrow points to the top edge of panel 17. Two screws, labeled 'B', are shown being inserted into the bottom edge of panel 17 to secure it to panel 19.

17

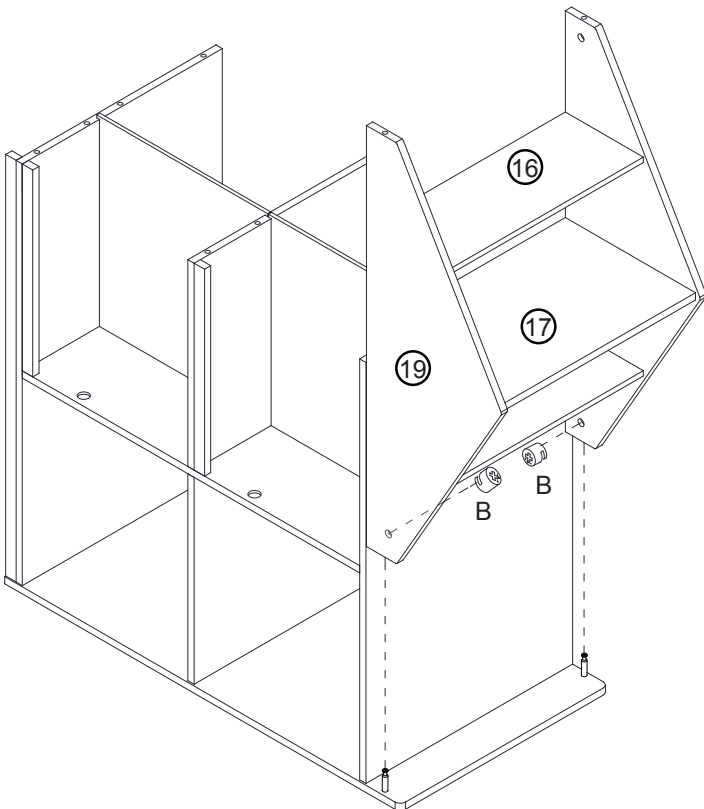
Edge Banding Here



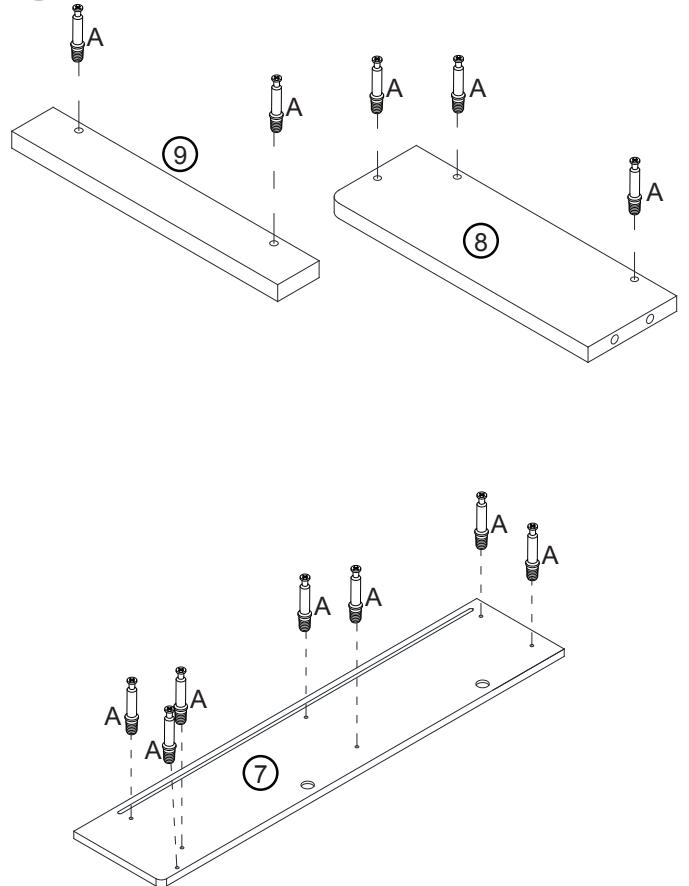
18



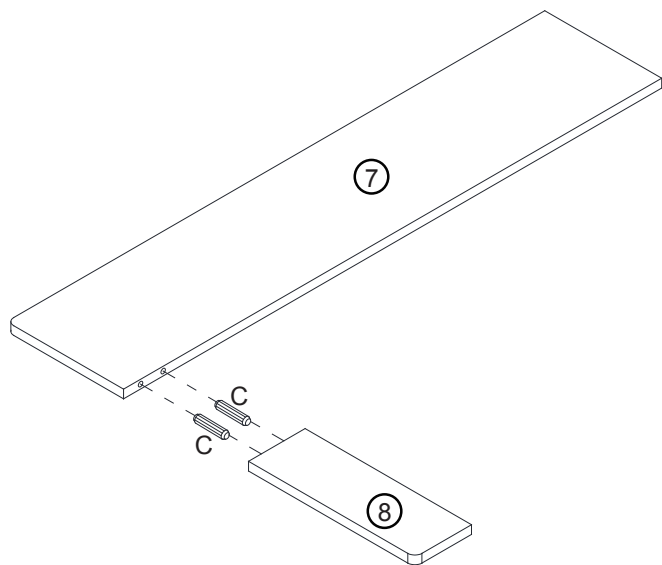
19



20

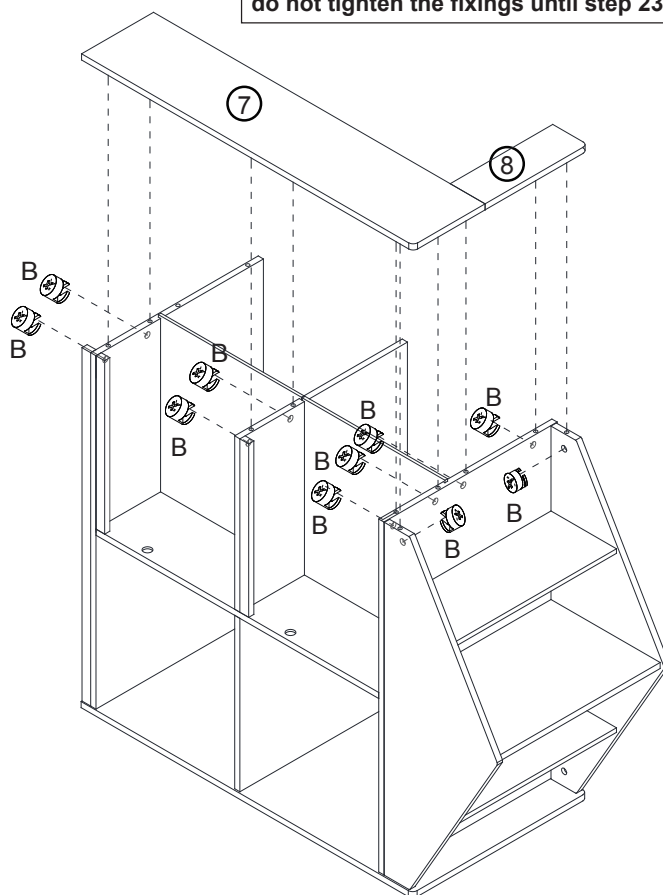


21



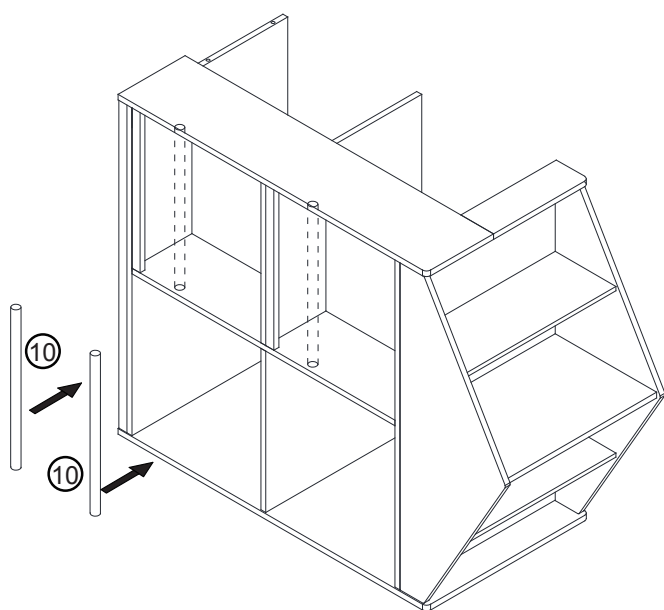
22

NOTICE
Place side panel on the unit loosely,
do not tighten the fixings until step 23

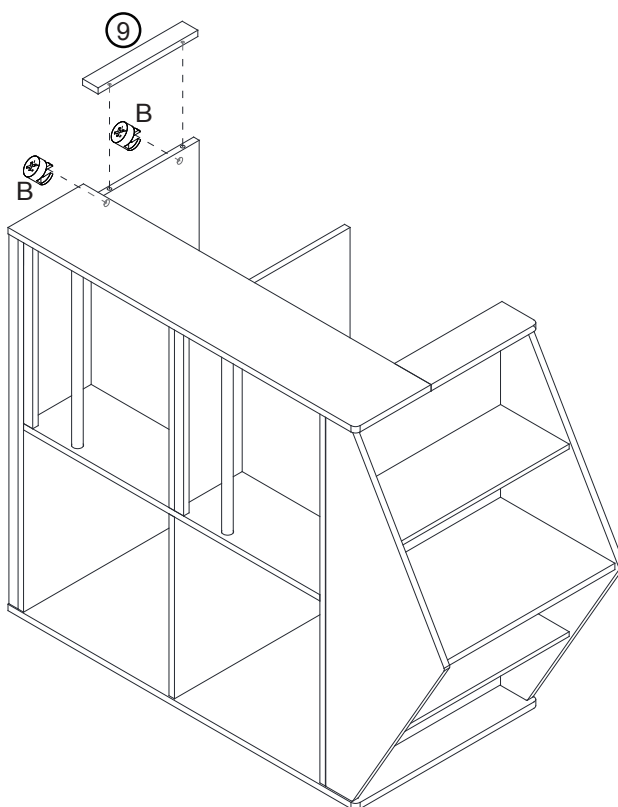


23

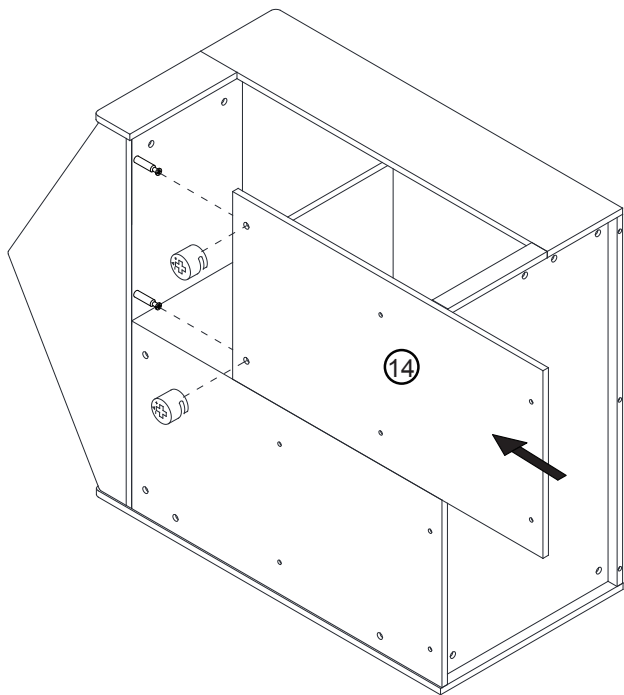
NOTICE
Now tighten the fixings
to secure the side panel



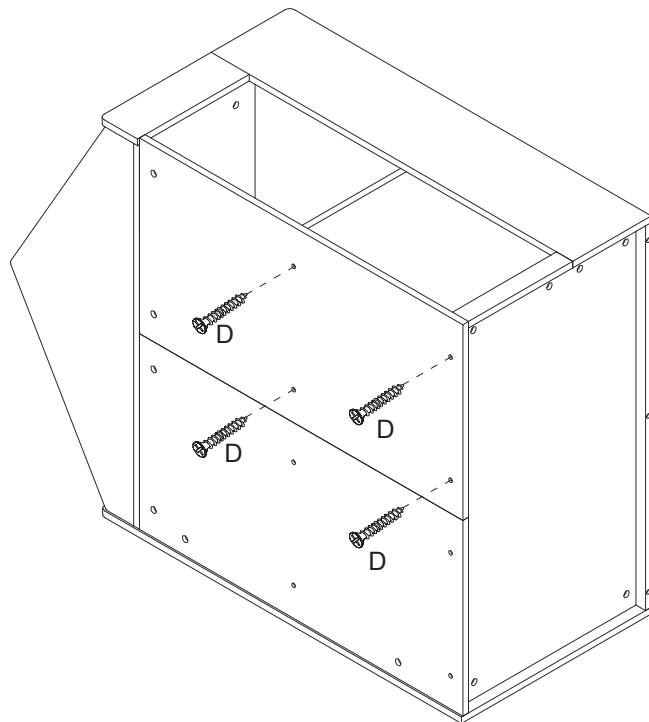
24



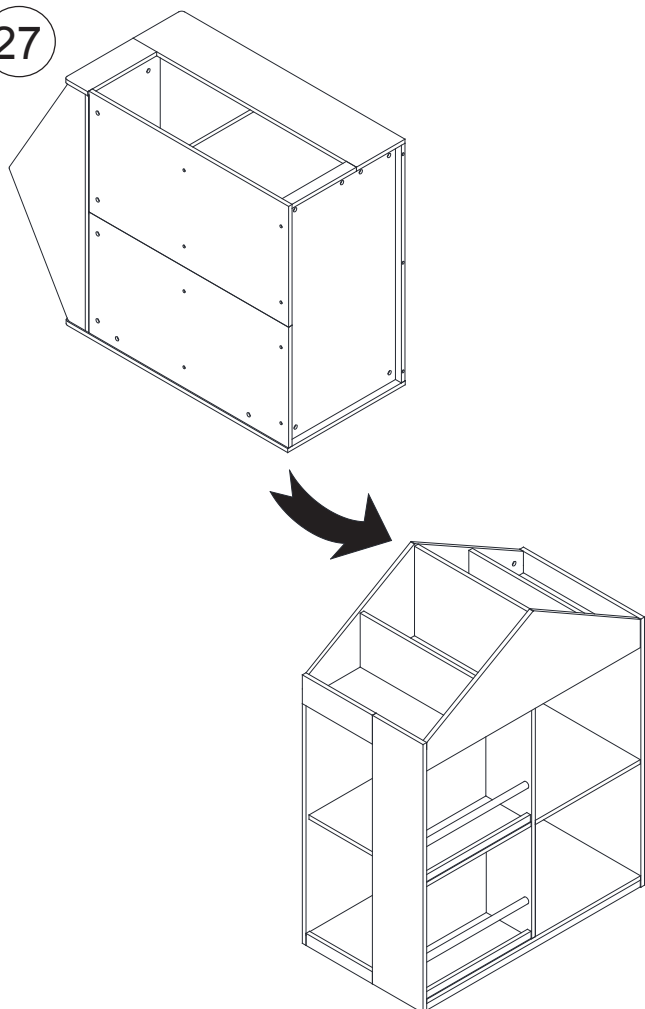
25



26



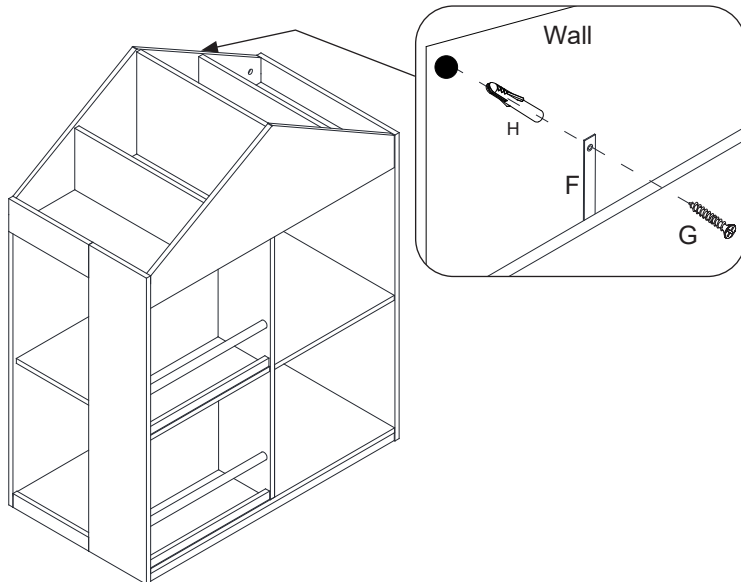
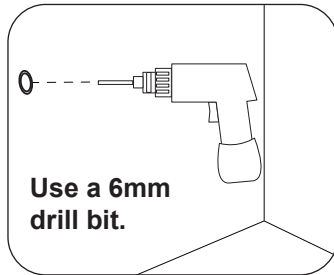
27



28

FOR STABILITY SECURE WITH WALL FIXING

Locate the unit in position and make a pencil mark to mark position for the wall screw.



CARE/CLEANING INSTRUCTIONS

- Wipe furniture with a soft dry cloth, do not use paper as this may be abrasive to the finish.
- The unit should be cleaned with a damp cloth and dried with a dry cloth.
- DO NOT use bleach or chemical solutions to clean the product.
- DO NOT expose to sunlight or other heat sources for a prolonged period.
- DO NOT store or leave outside.
- Regularly check all fastenings to ensure that they are properly tightened.

SAFETY TESTED

The product conforms to:

EN71 Part 1:2014+A1:2018 / EN71 Part 2:2020 / EN71 Part 3:2019+A1:2021
FIRA FRQG C001:2021 / FIRA FRQG C004:2016+A1:2017

WARNINGS

1. **WARNING: Serious or fatal crush injuries can occur from furniture tip over. ALWAYS secure this unit to wall with wall fixings supplied.**
2. **WARNING: DO NOT use this product if any part is broken, torn or missing. Please contact your supplier and spare parts can be supplied – please use only parts approved by the manufacturer.**
3. **Please keep children away from the work area during assembly of this product – due to possible risk of injury.**
4. **Once assembled, this product is NOT designed to be dismantled, transported and reassembled.**
5. **Dispose of all packaging carefully and responsibly.**
6. **We advise you to keep these instructions in a safe place in case required for future use.**
7. **Assembly to be carried out by a competent adult only.**
8. **This product is suitable for children in the age range 1-12 year old.**
9. **The maximum loading weight of the product is 50 KG.**
10. **Regular check all fastenings to ensure that they are properly tightened.**