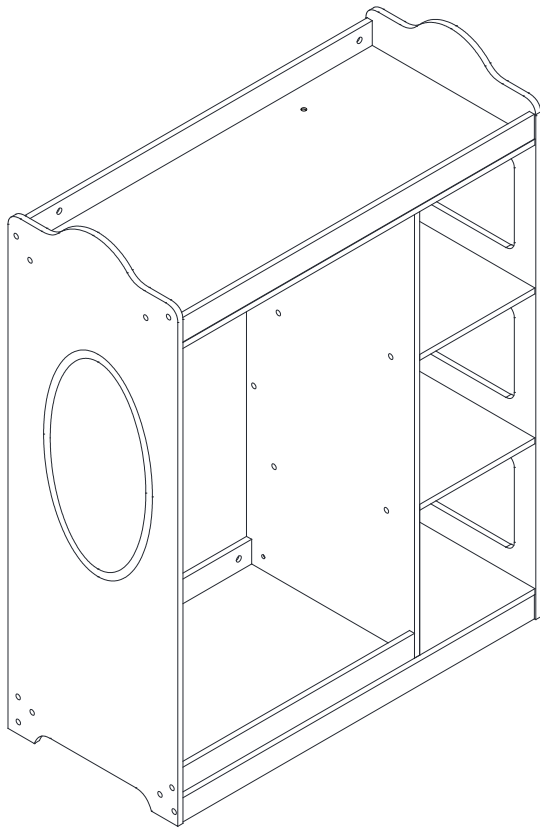
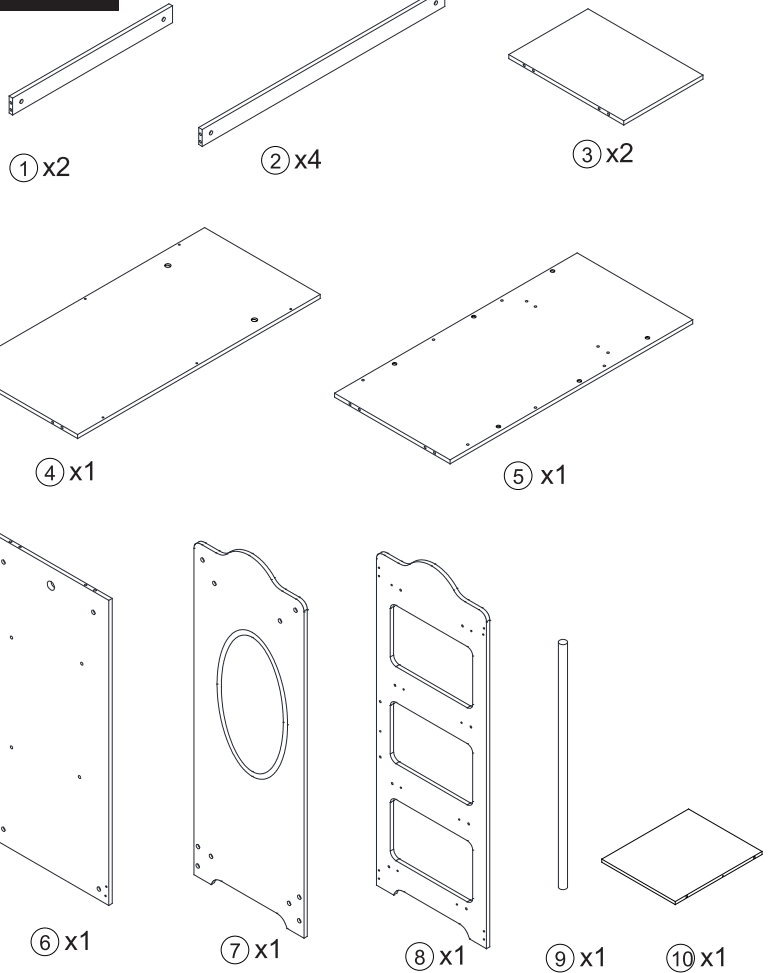


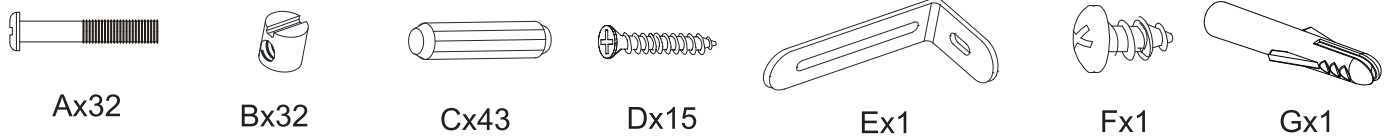
**IMPORTANT! RETAIN THESE INSTRUCTIONS FOR FUTURE REFERENCES.
ASSEMBLY TO BE CARRIED OUT BY A COMPETENT ADULT ONLY.**



PART LIST

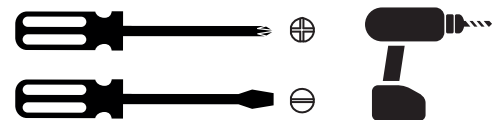


HARDWARE

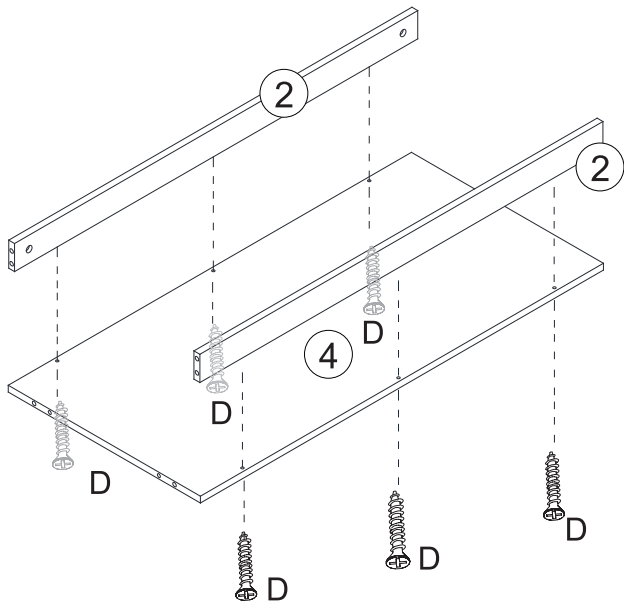


**TOOLS
REQUIRED**

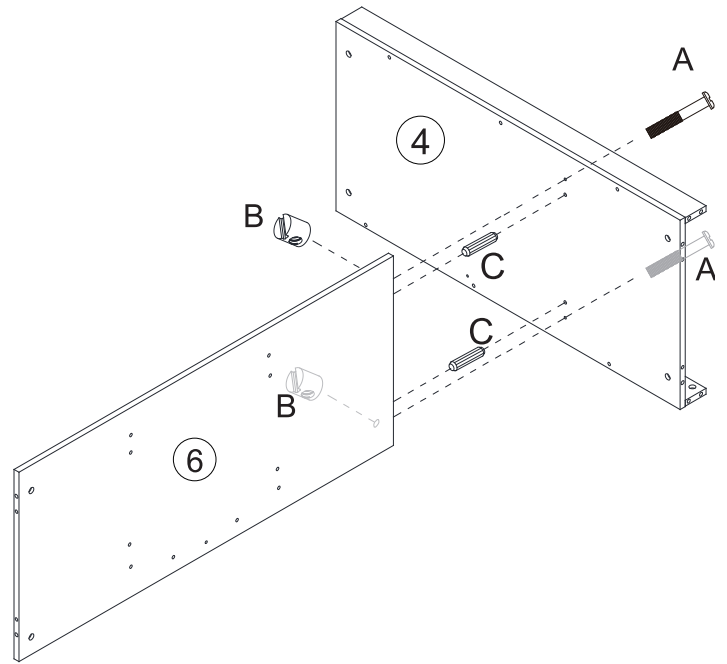
1. Phillips Head Screw Driver (not supplied)
2. Flat Head Screw Driver (not supplied)
3. Drill + 6mm Drill Bit (not supplied)



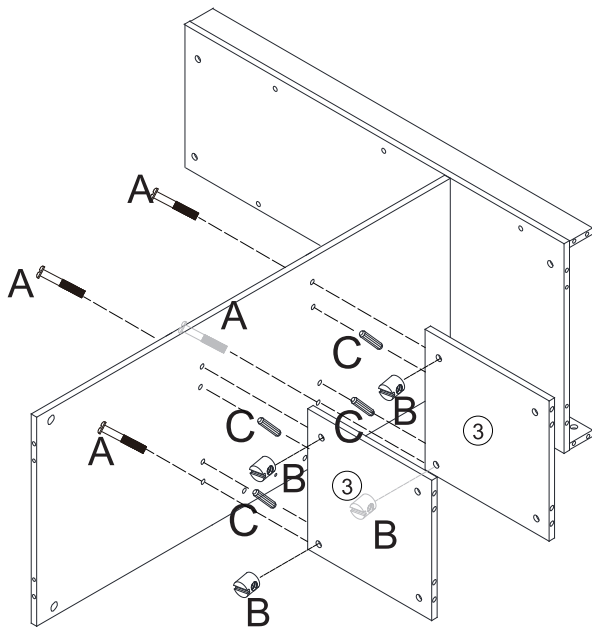
Step 1



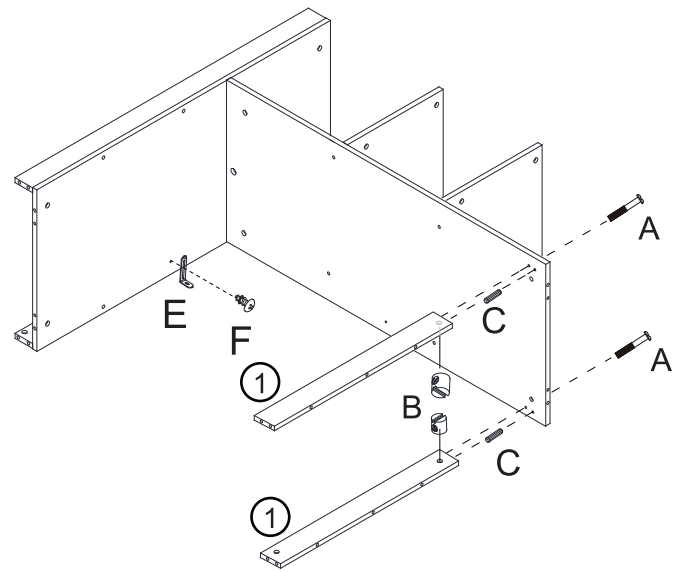
Step 2



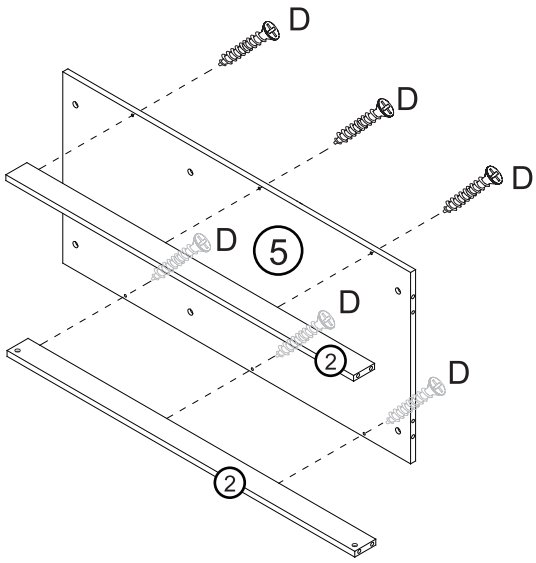
Step 3



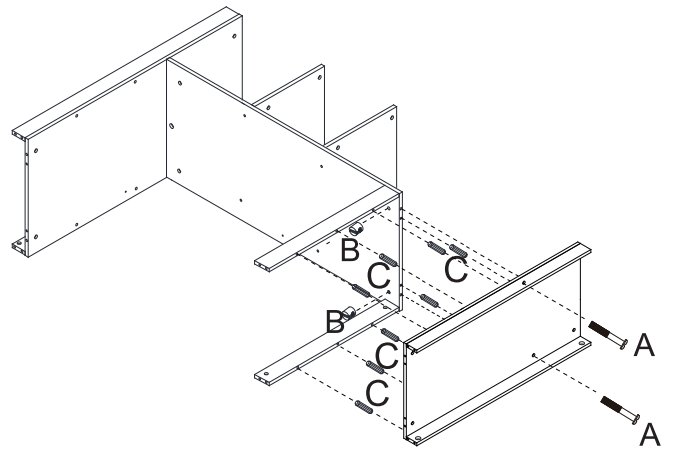
Step 4



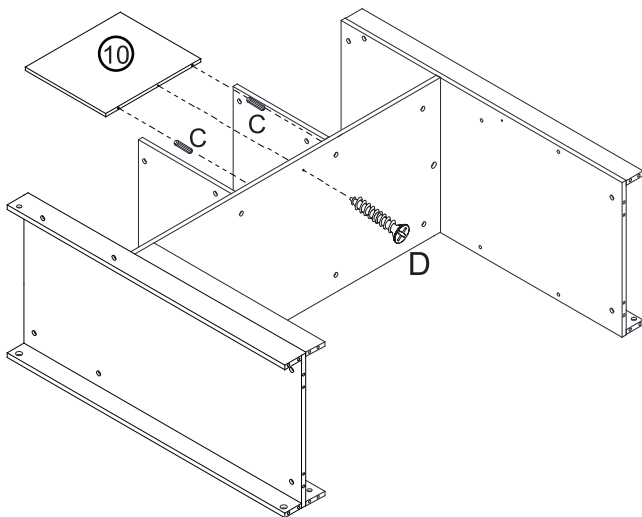
Step 5



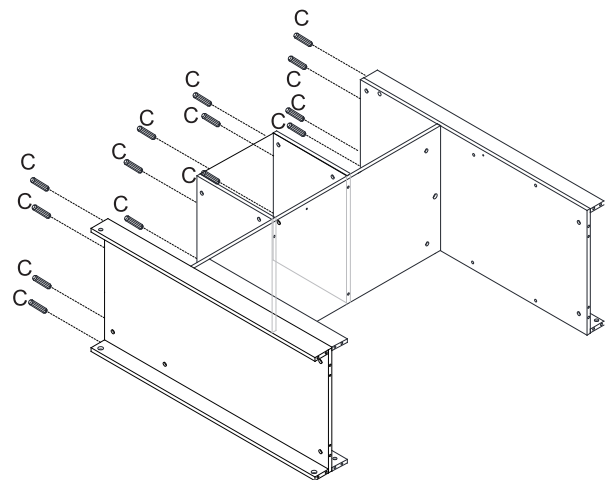
Step 6



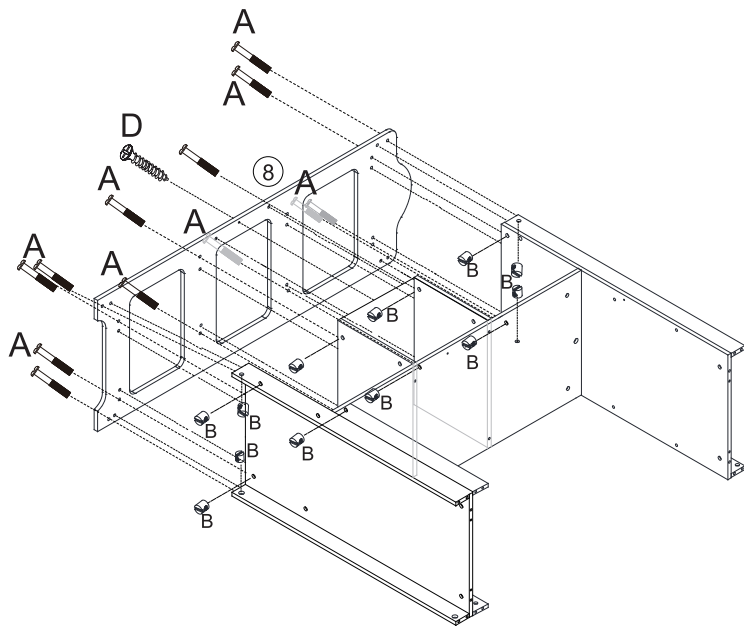
Step 7



Step 8

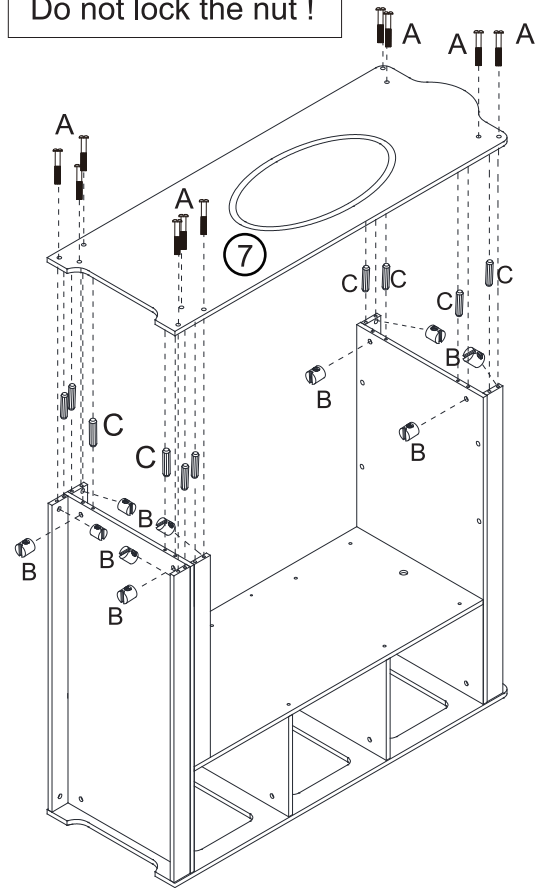


Step 9



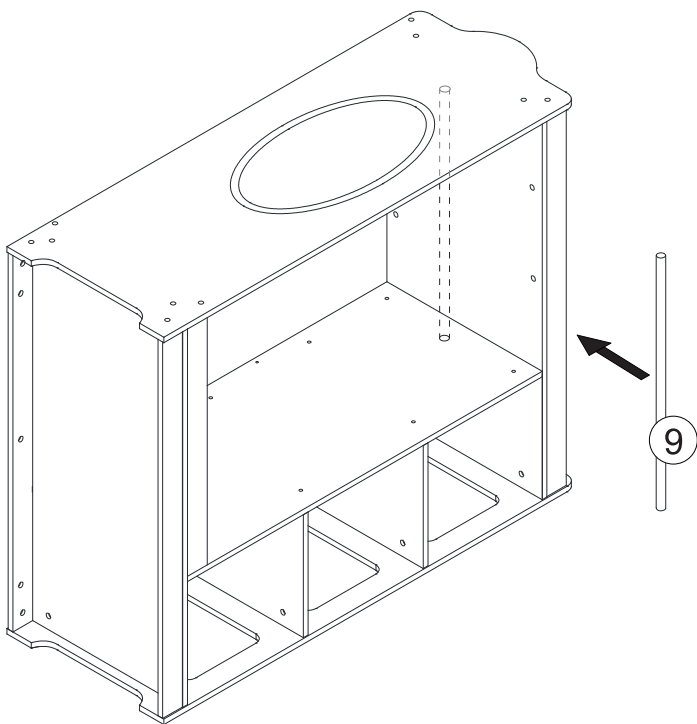
Step 10

Do not lock the nut !

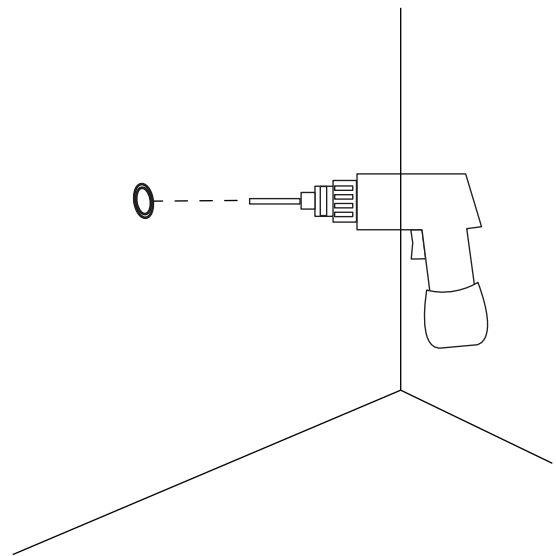


Step 11

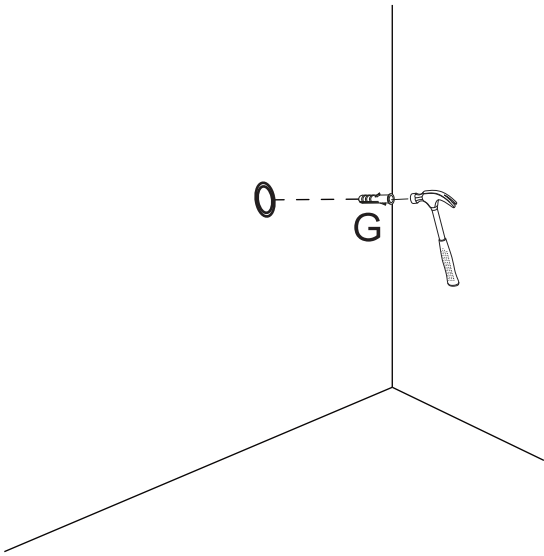
Finally, tighten the nut !



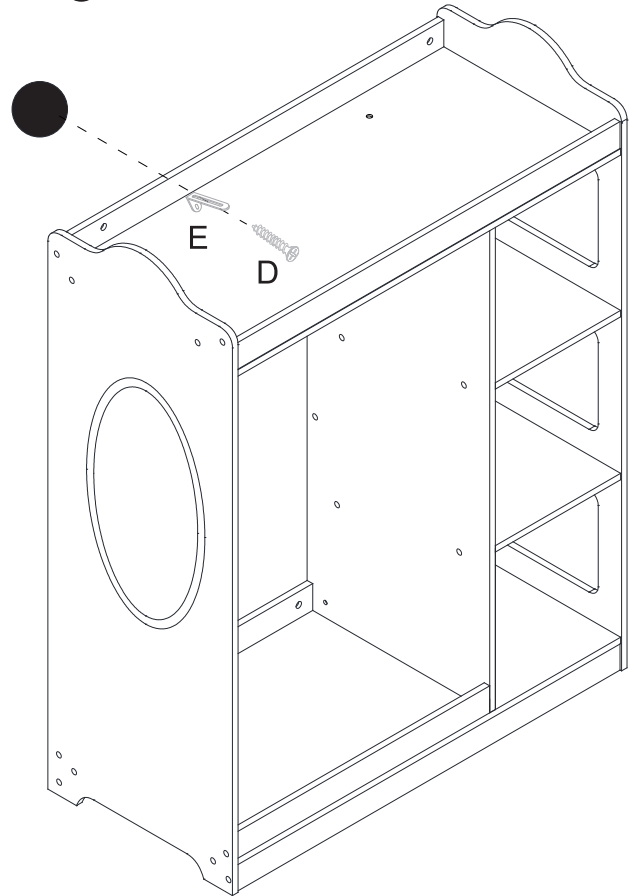
Step 12



Step 13

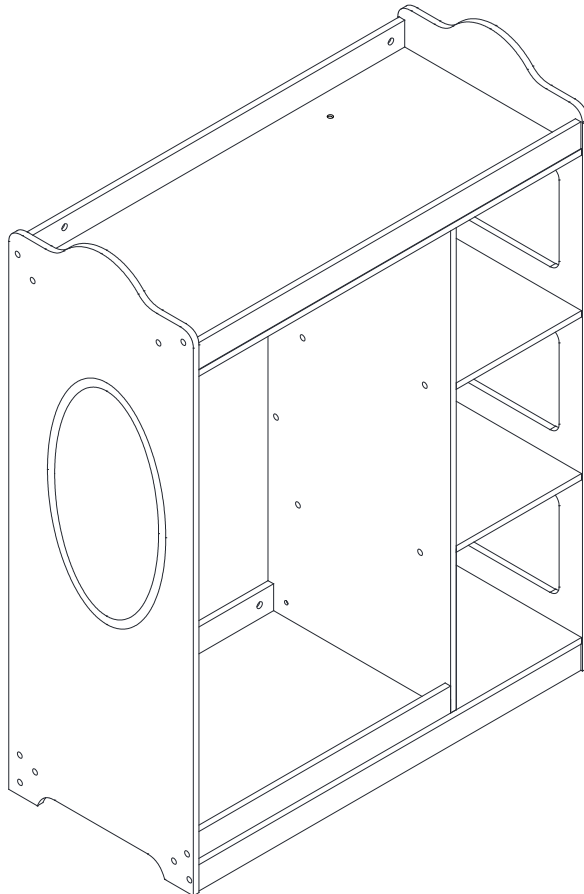


Step 14



COMPLETE

Remove the protective film from the mirror.



CARE/CLEANING INSTRUCTIONS

- Wipe the acrylic safety mirror clean with a dampened microfibre cloth, as other materials may scratch.
- Wipe furniture with a soft damp cloth and dried with a dry cloth, do not use paper as this may be abrasive to the finish.
- The unit should be cleaned with a damp cloth and dried with a dry cloth.
- DO NOT use bleach or chemical solutions to clean the product.
- DO NOT expose to sunlight or other heat sources for a prolonged period.
- DO NOT store or leave outside.

SAFETY TESTED

The product conforms to:
FIRA FRQG C001:2021 / FIRA FRQG C004:2016+A1:2017

WARNINGS

1. **WARNING: Serious or fatal crush injuries can occur from furniture tip over. ALWAYS secure this unit to wall with wall fixings supplied.**
2. **WARNING: DO NOT use this product if any part is broken, torn or missing. Please contact your supplier and spare parts can be supplied – please use only parts approved by the manufacturer.**
3. **Please keep children away from the work area during assembly of this product – due to small parts.**
4. **Once assembled, this product is NOT designed to be dismantled, transported and reassembled.**
5. **Dispose of all packaging carefully and responsibly.**
6. **We advise you to keep these instructions in a safe place in case required for future use.**
7. **Assembly to be carried out by a competent adult only.**
8. **This product is suitable for children in the age range 3-7 year old.**
9. **The maximum loading weight of the product is 15 KG.**
10. **Periodically check all fastenings to ensure that they are properly tightened.**
11. **Not suitable for children under 36 months.**