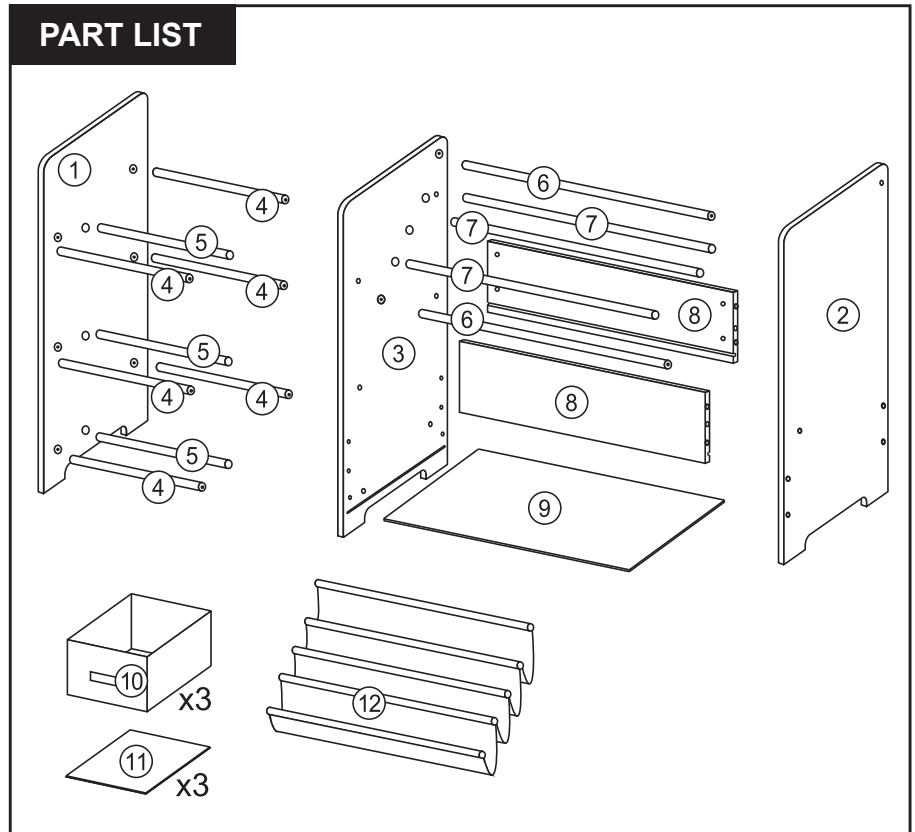
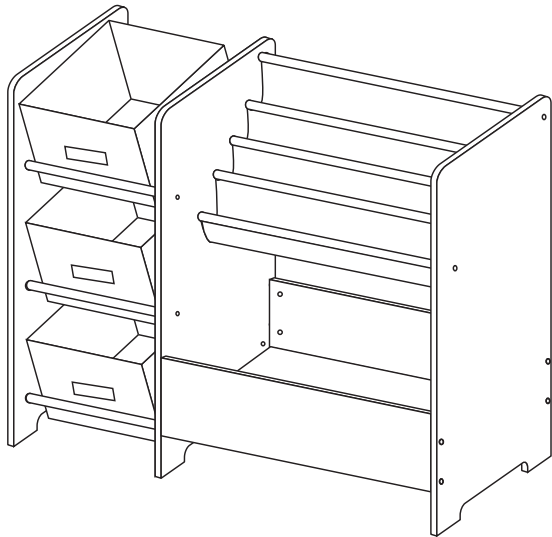
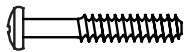


**RETAIN THESE INSTRUCTIONS FOR FUTURE REFERENCES.
ASSEMBLY TO BE CARRIED OUT BY A COMPETENT ADULT ONLY.**



HARDWARE



A x 8



B x 8



C x 4



D x 16

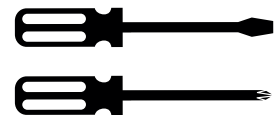
CARE/CLEANING INSTRUCTIONS

- Wipe furniture with a soft dry cloth, do not use paper as this may be abrasive to the finish.
- The unit should be cleaned with a damp cloth and dried with a dry cloth.
- **DO NOT** use bleach or chemical solutions to clean the product.
- **DO NOT** expose to sunlight or other heat sources for a prolonged period.
- **DO NOT** store or leave outside.
- Periodically check the tightening of legs and screws.

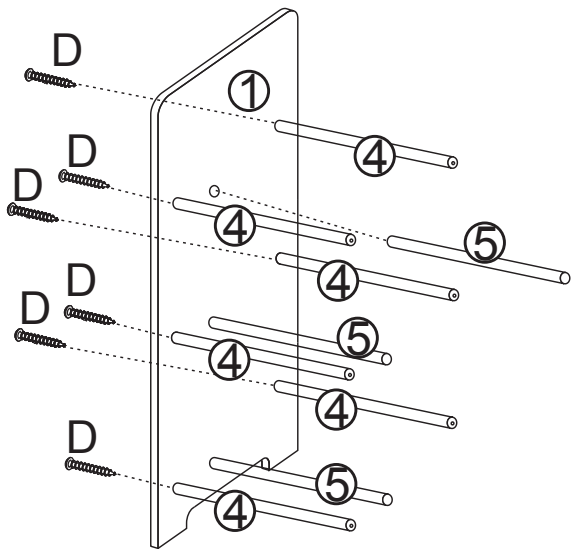


TOOLS REQUIRED:

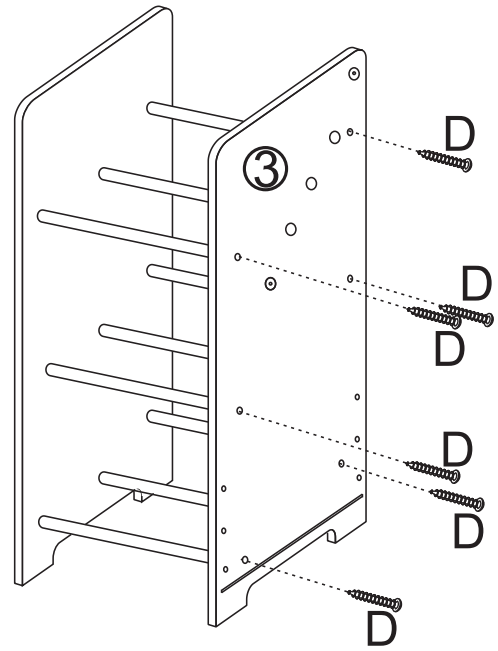
1. Phillips Head Screw Driver (not supplied)
2. Flat Head Screw Driver (not supplied)



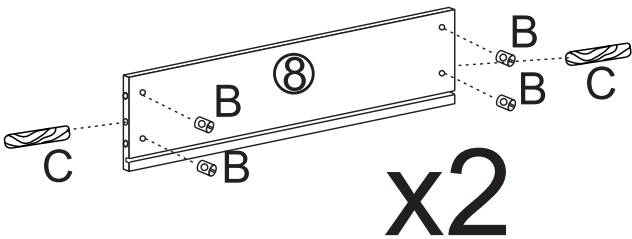
Step 1



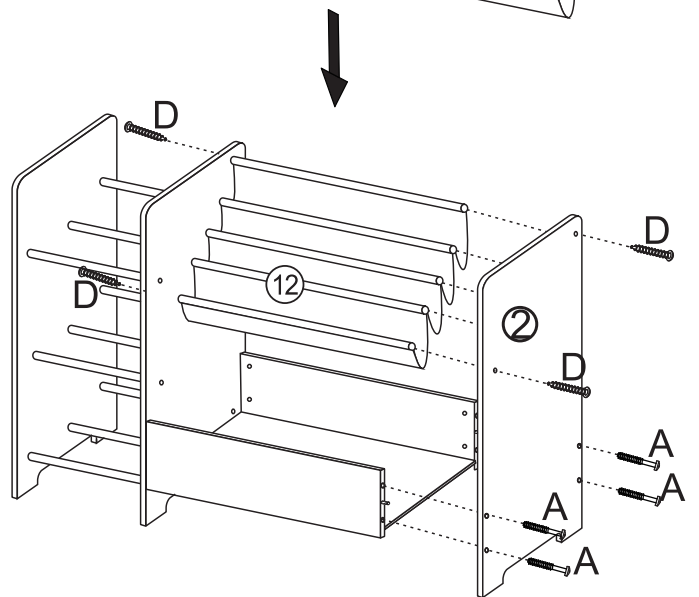
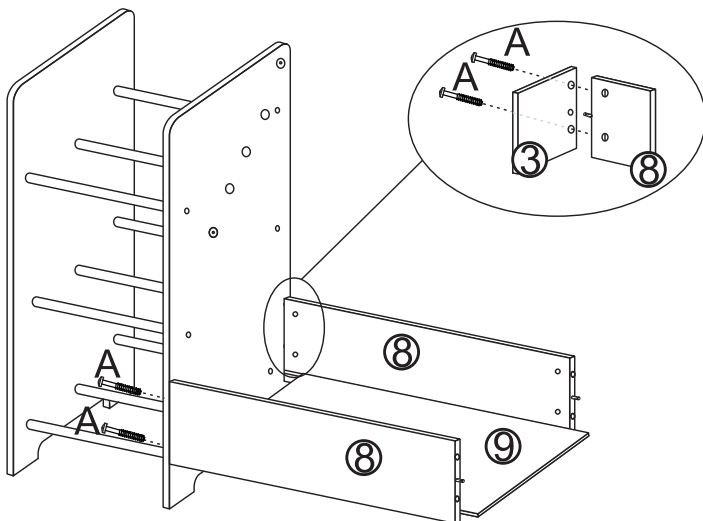
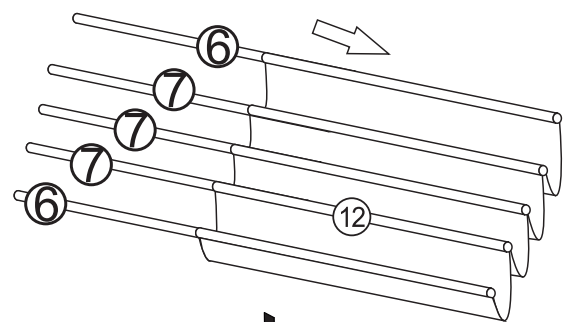
Step 2



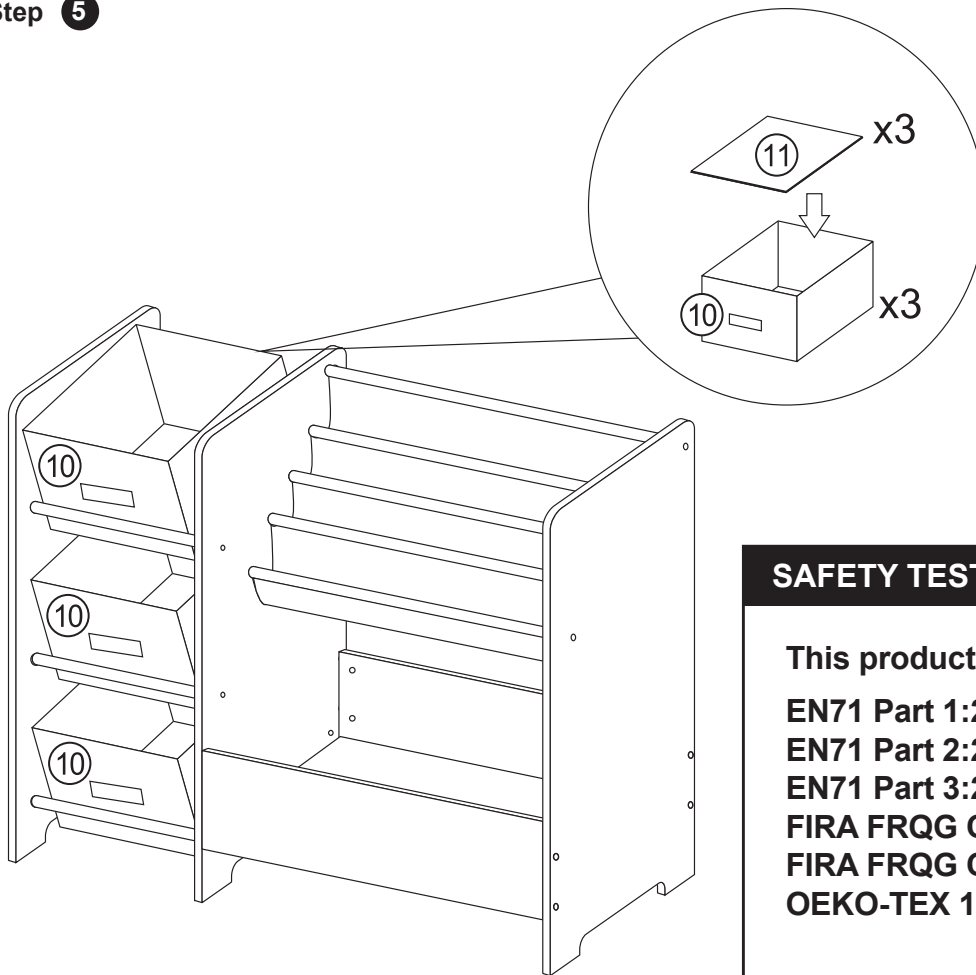
Step 3



Step 4



Step 5



SAFETY TESTED

This product conforms to:
EN71 Part 1:2014+A1:2018
EN71 Part 2:2020
EN71 Part 3:2019+A1:2021
FIRA FRQG C001:2021
FIRA FRQG C004:2016+A1:2017
OEKO-TEX 100 FABRIC

WARNINGS

1. **WARNING: DO NOT** use this product if any part is broken, torn or missing. Please contact your supplier and spare parts can be supplied – please use only parts approved by the manufacturer.
2. Please keep children away from the work area during assembly of this product – due to small parts.
3. Once assembled, this product is **NOT** designed to be dismantled, transported and reassembled.
4. Dispose of all packaging carefully and responsibly.
5. We advise you to keep these instructions in a safe place in case required for future use.
6. Assembly to be carried out by a competent adult only.
7. This product is suitable for children in the age range 2-6 year old.
8. The maximum loading weight of the product is 20 KG.
9. Regular check all fastenings to ensure that they are properly tightened.