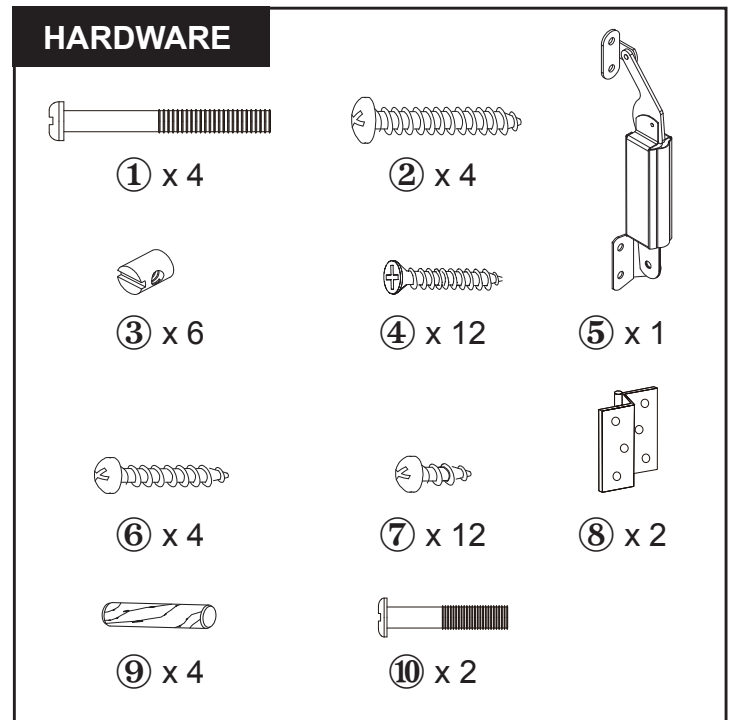
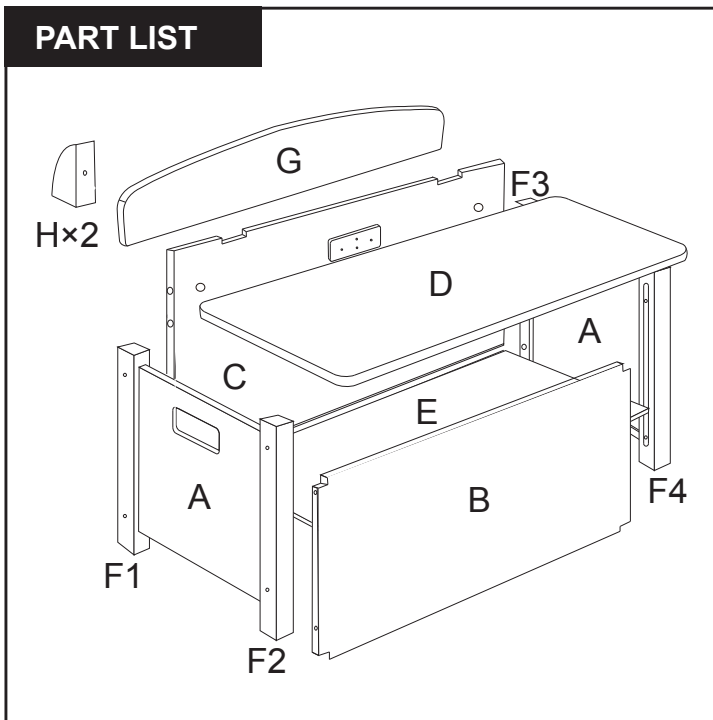
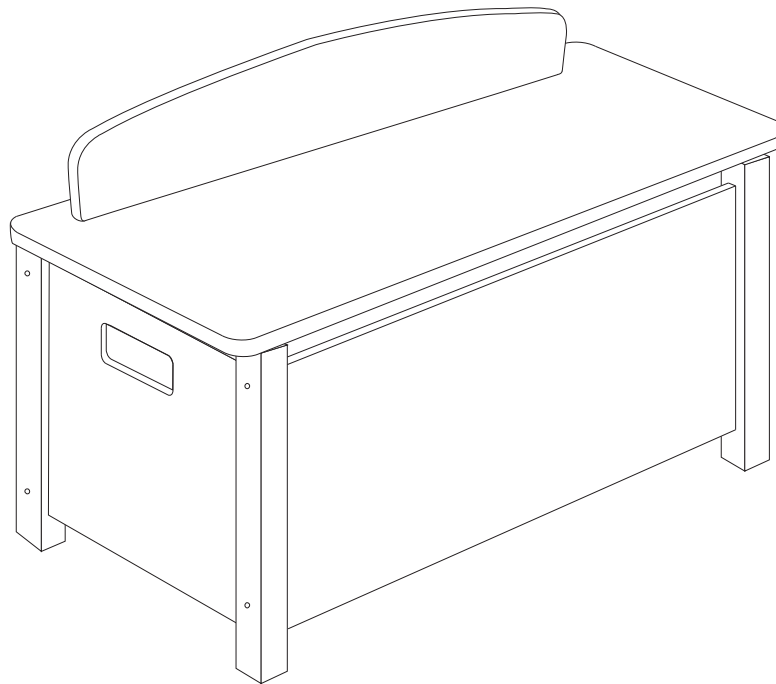


**IMPORTANT! RETAIN THESE INSTRUCTIONS FOR FUTURE REFERENCE.
 ASSEMBLY TO BE CARRIED OUT BY A COMPETENT ADULT ONLY.**



TOOLS REQUIRED



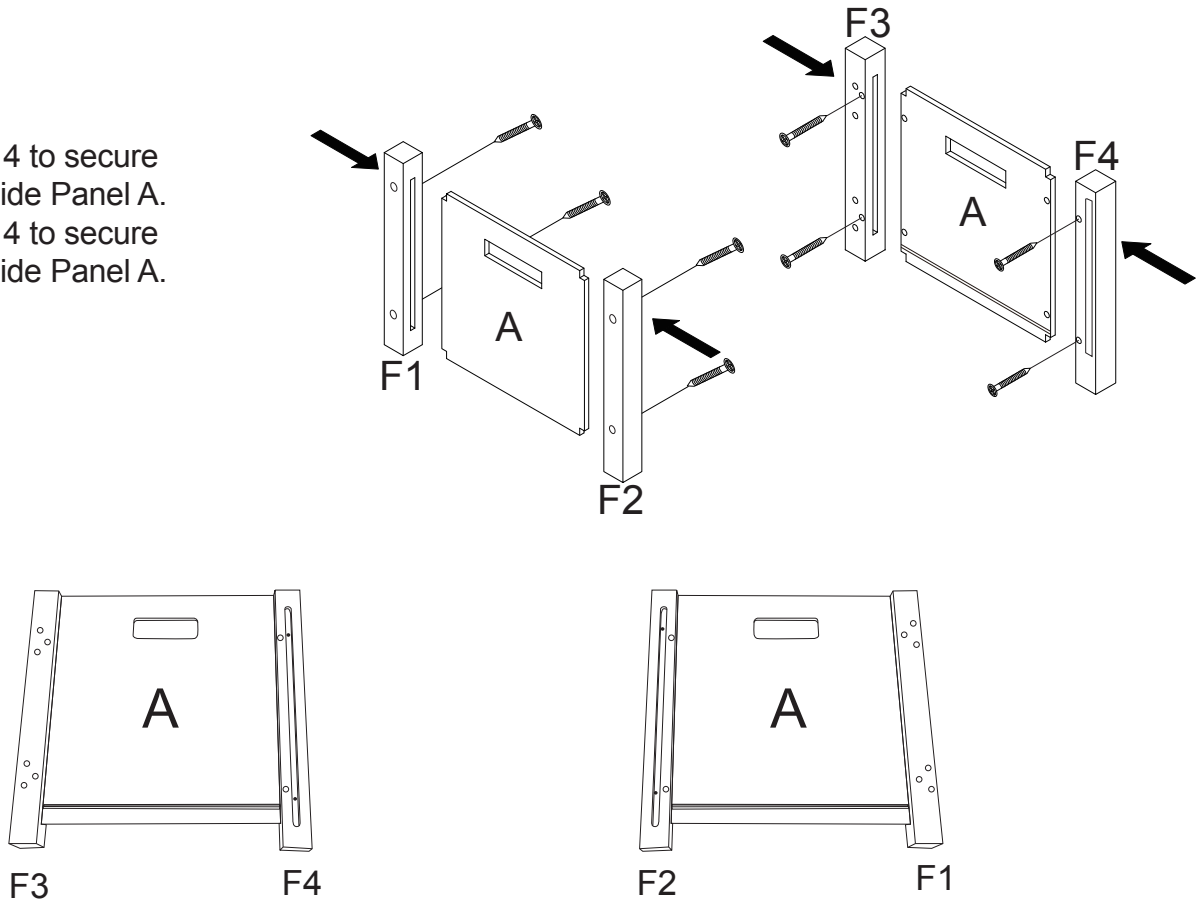
1. Phillips Head Screw Driver (not supplied)
2. Flat Head Screw Driver (not supplied)



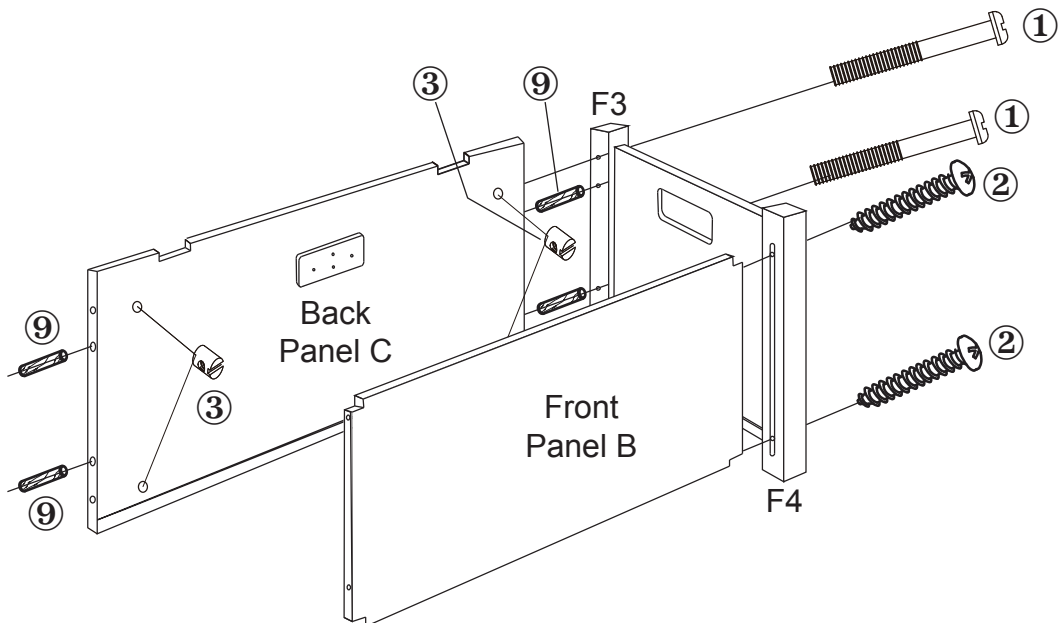
PLEASE TAKE CARE NOT TO OVER-TIGHTEN THE SCREWS.

Step ①

Use 4 x Screw 4 to secure F1 and F2 to Side Panel A.
Use 4 x Screw 4 to secure F3 and F4 to Side Panel A.

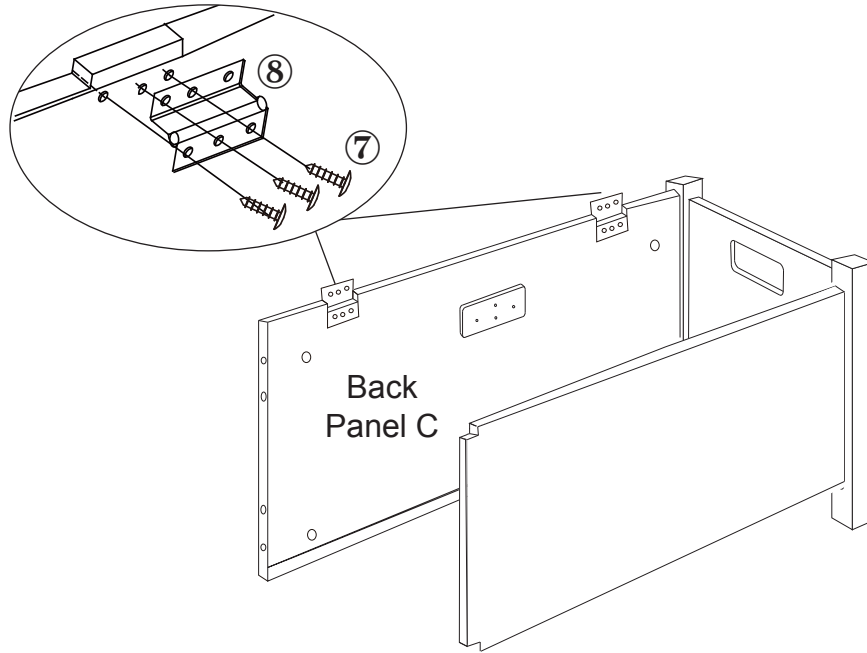


Step ②



Insert 4 x Dowel 9 into Back Panel C.
Insert 4 x Bolt 3 into Back Panel C. **Align correctly.**
Secure Back Panel C to F3 using 2 x Screw 1.
Secure Front Panel B to F4 using 2 x Screw 2.

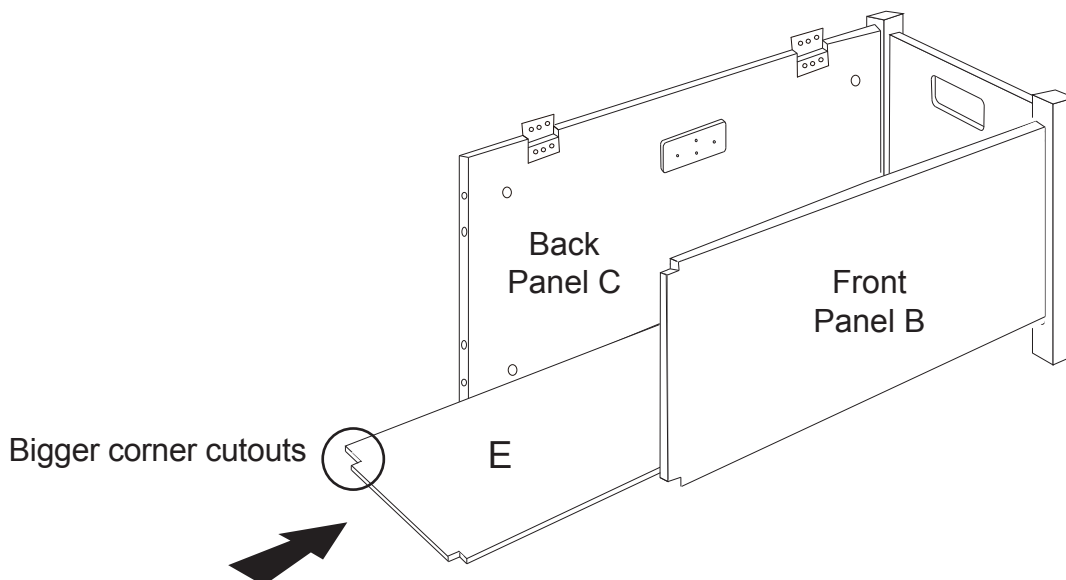
Step ③



Secure 2 x Hinge 8 to Back Panel C using 6 x Screw 7.

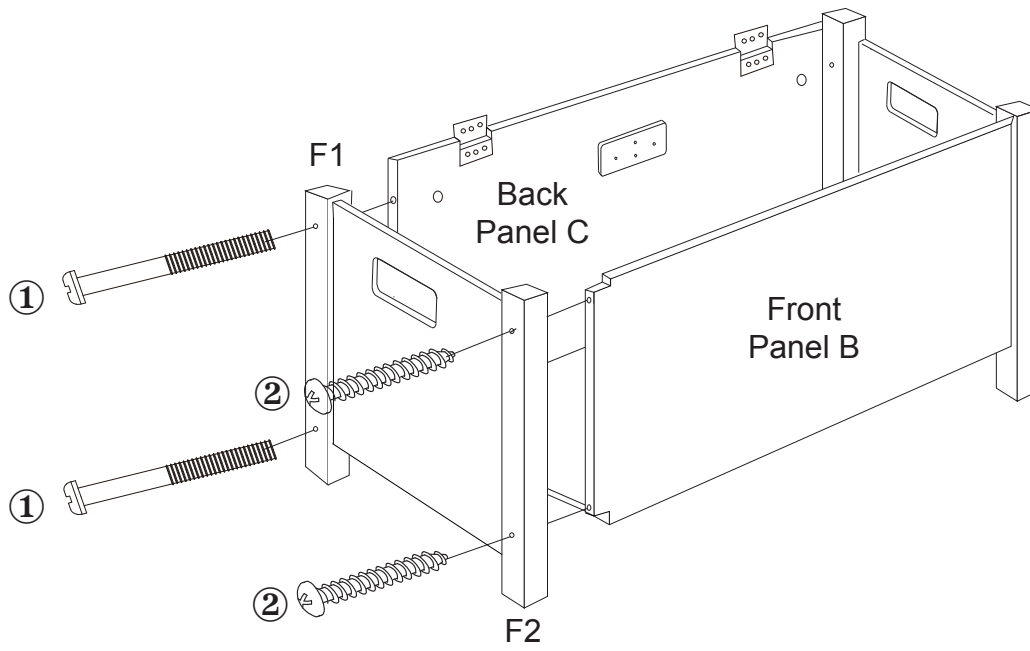
.....

Step ④



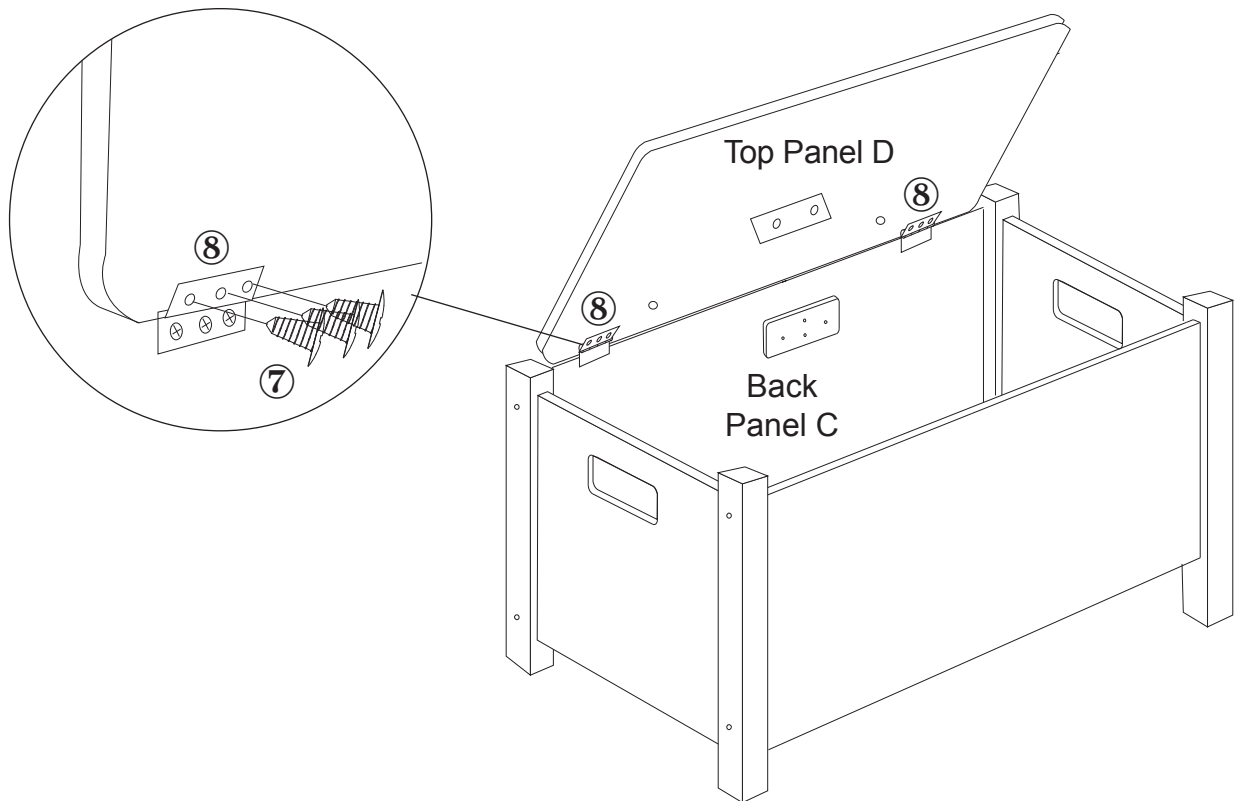
Insert Panel E. **Ensure the bigger corner cutouts are at the back.**

Step ⑤



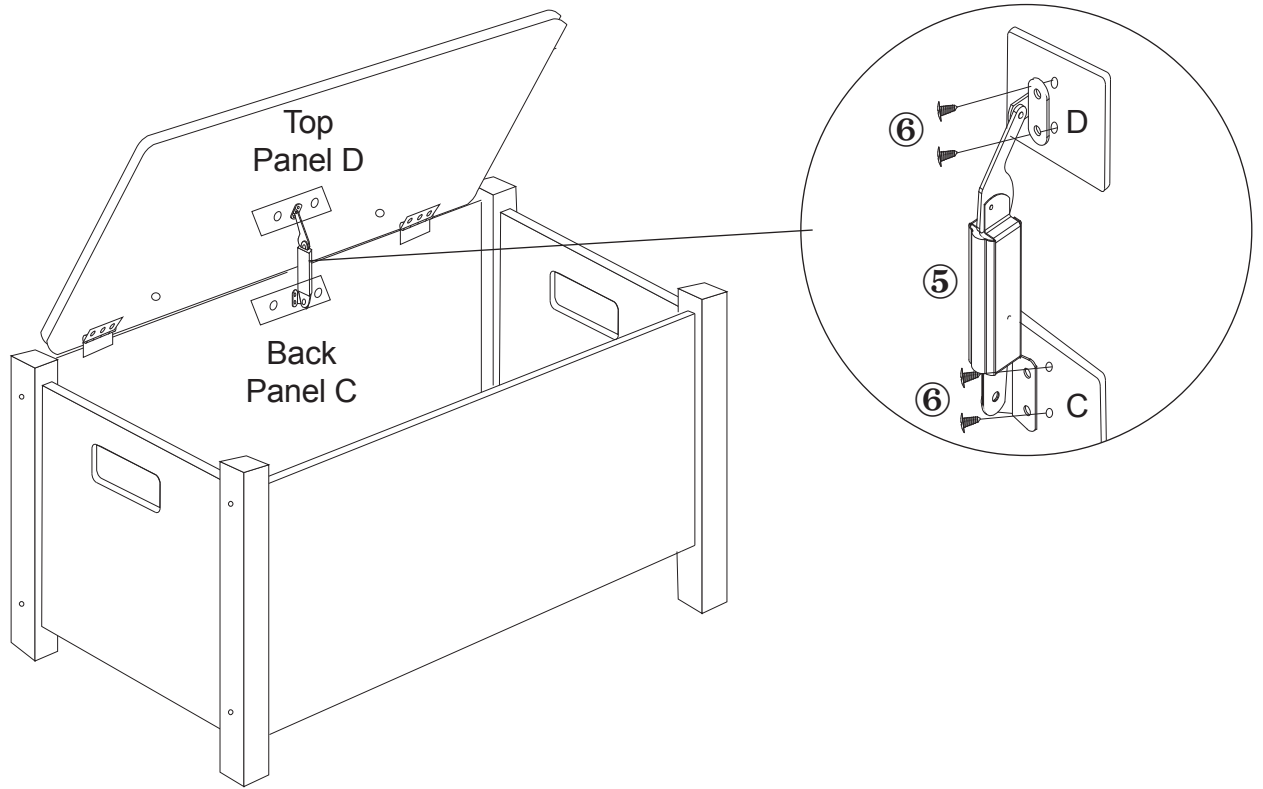
Secure F1 to Back Panel C using 2 x Screw 1.
Secure F2 to Front Panel B using 2 x Screw 2.

Step ⑥



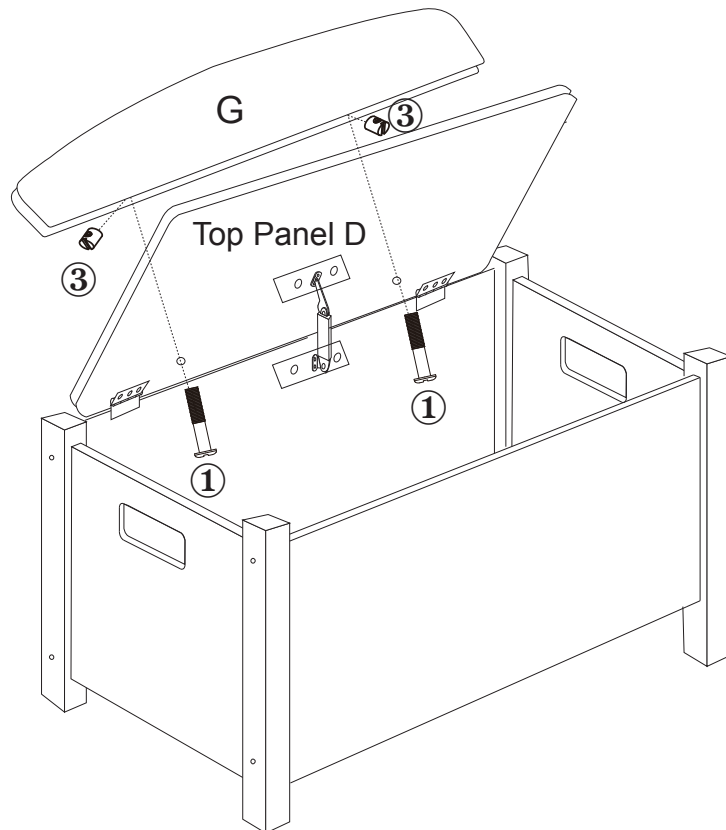
Secure 2 x Hinge 8 to Top Panel D using 6 x Screw 7.

Step ⑦



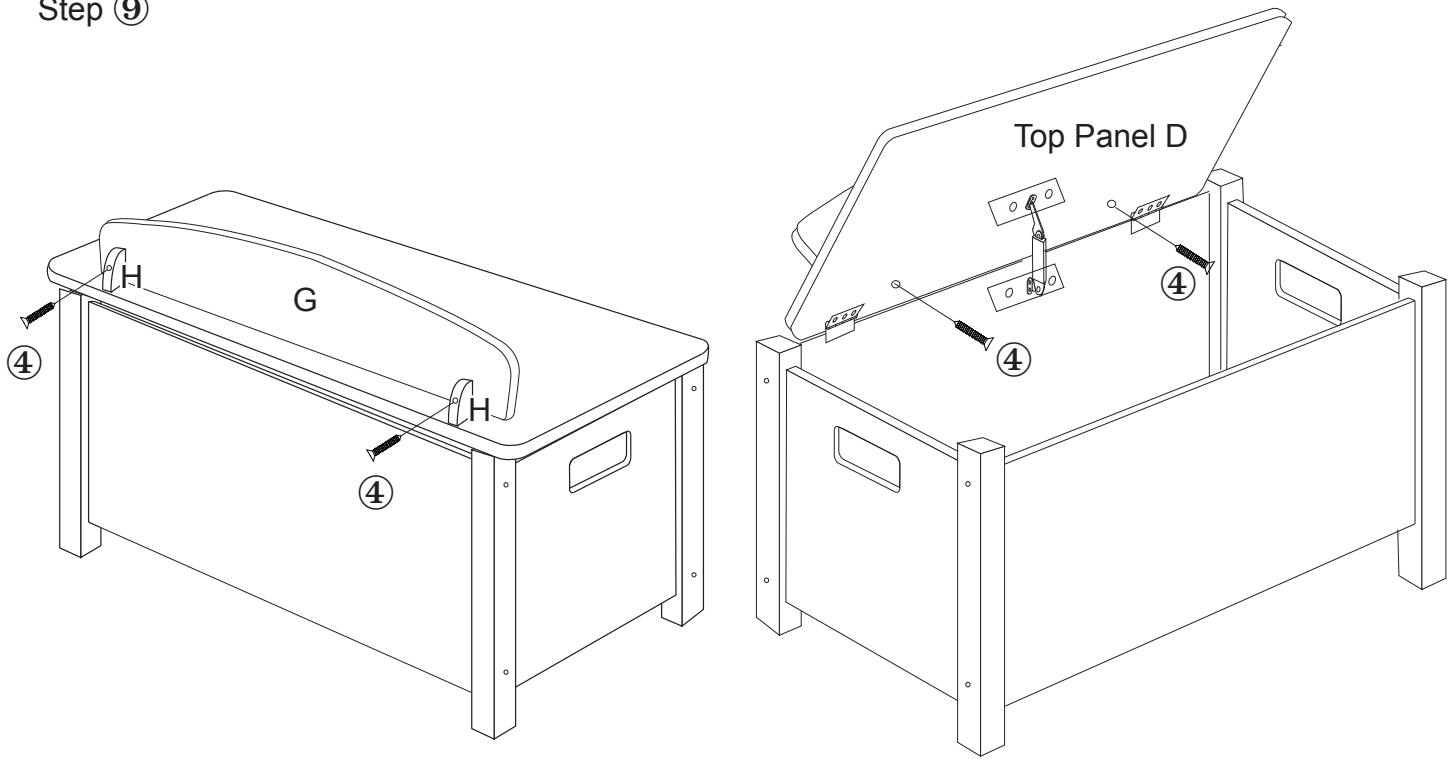
Secure Hinge 5 to Back Panel C using 2 x Screw 6.
Secure Hinge 5 to Top Panel D using 2 x Screw 6.

Step ⑧



Insert 2 x Bolt 3 into Panel G. **Align correctly.**
Secure Panel G to Top Panel D using 2 x Screw 1.

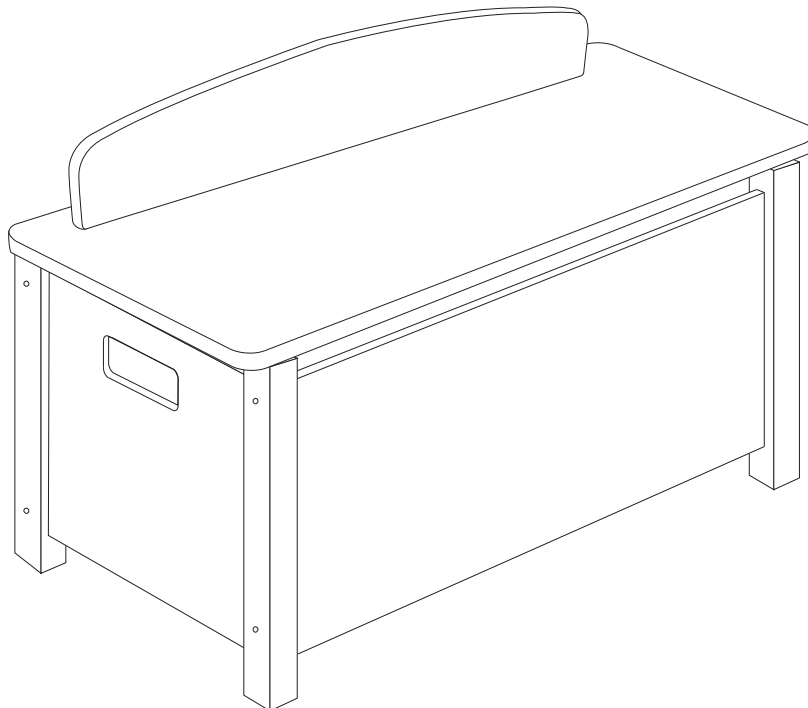
Step ⑨



Secure 2 x Part H to Panel G using 2 x Screw 4.
Lift Top Panel D and secure Part H to Top Panel D using 2 x Screw 4.

.....

COMPLETE



CARE AND MAINTENANCE INSTRUCTIONS

- Wipe furniture with a soft dry cloth, do not use paper as this may be abrasive to the finish.
- The unit should be cleaned with a damp cloth and dried with a dry cloth.
- DO NOT use bleach or chemical solutions to clean the product.
- DO NOT expose to sunlight or other heat sources for a prolonged period.
- DO NOT store or leave outside.
- Periodically check the tightening of legs and screws.

SAFETY TESTED

The product conforms to:
FIRA FRQG C001:2021 / FIRA FRQG C004:2016+A1:2017

WARNINGS

1. **WARNING: DO NOT** use this product if any part is broken, torn or missing. Please contact your supplier and spare parts can be supplied – please use only parts approved by the manufacturer.
2. Please keep children away from the work area during assembly of this product – due to small parts and risk of injury.
3. Once assembled, this product is NOT designed to be dismantled, transported and reassembled.
4. Dispose of all packaging carefully and responsibly.
5. We advise you to keep these instructions in a safe place in case required for future use.
6. Assembly to be carried out by a competent adult only.
7. This product is suitable for children in the age range 3-12 years old.
8. The maximum loading weight of the product is 30 KG.
9. Regular check all fastenings to ensure that they are properly tightened.



Liberty House Toys
20-24 Gibraltar Row
King Edward Industrial Estate
Liverpool L3 7HJ
United Kingdom