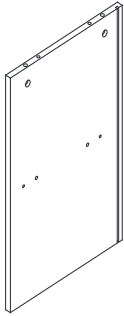


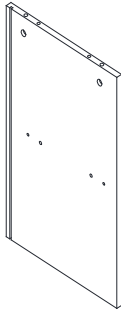
**IMPORTANT! RETAIN THESE INSTRUCTIONS FOR FUTURE REFERENCES.
ASSEMBLY TO BE CARRIED OUT BY A COMPETENT ADULT ONLY.**

PART LIST

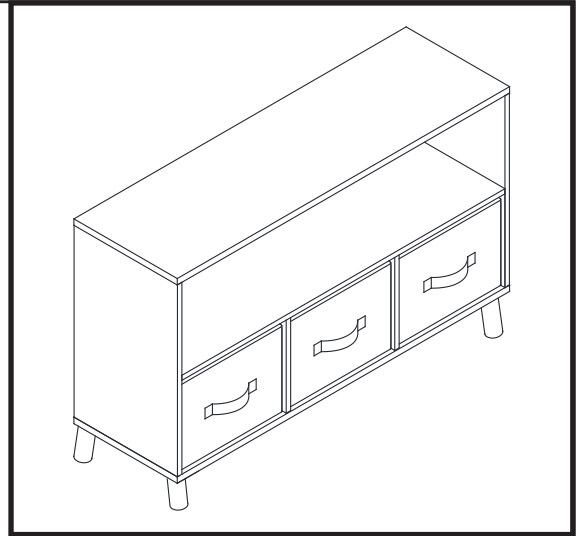
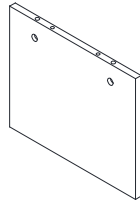
A x 1PC



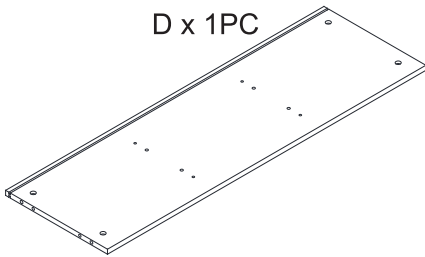
B x 1PC



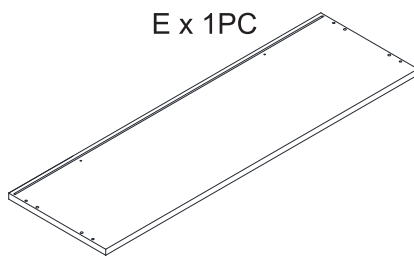
C x 2PCS



D x 1PC



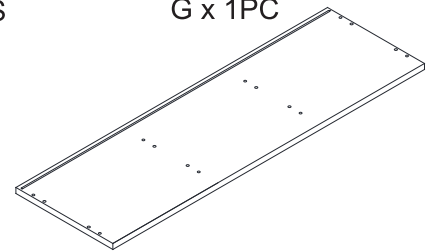
E x 1PC



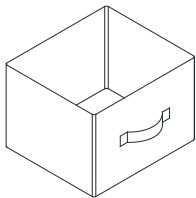
F x 4PCS



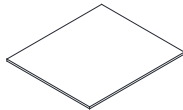
G x 1PC



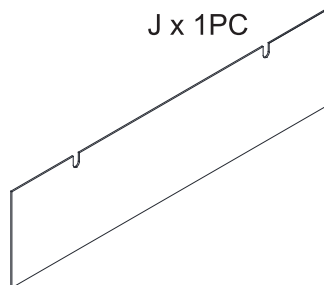
H x 3PC



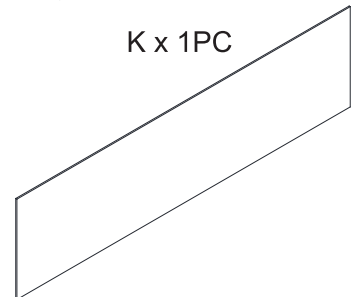
I x 3PC



J x 1PC



K x 1PC



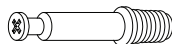
HARDWARE

L x 20PCS



6x25mm

M x 12PCS



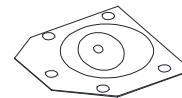
6x38mm

N x 12PCS



Ø12x10mm

O x 4PCS



P x 8PCS



5x35mm

Q x 2PCS



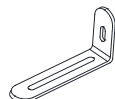
4x30mm

R x 22PCS



4x10mm

S x 2PCS



66x32x15mm

T x 2PCS



U x 8PCS



3x14mm

V x 8PCS



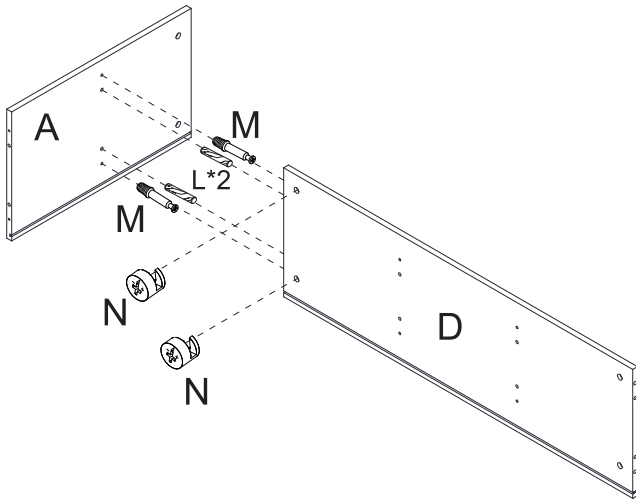
15x14x10mm

TOOLS REQUIRED

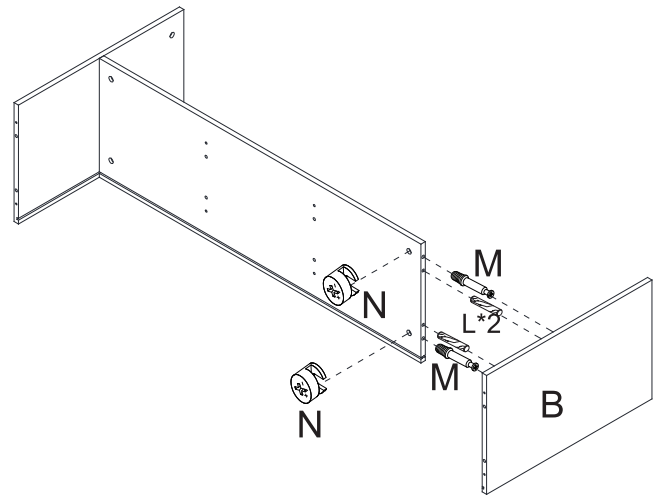
1. Phillips Head Screw Driver (not supplied)
2. Drill + 6mm Drill Bit (not supplied)



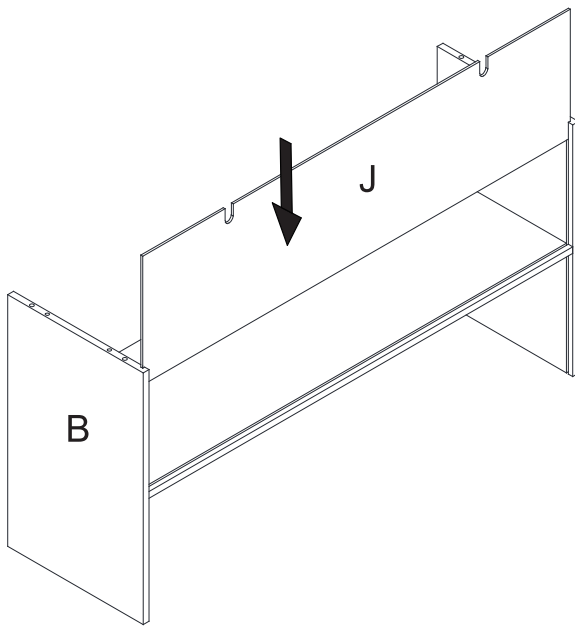
Step 1



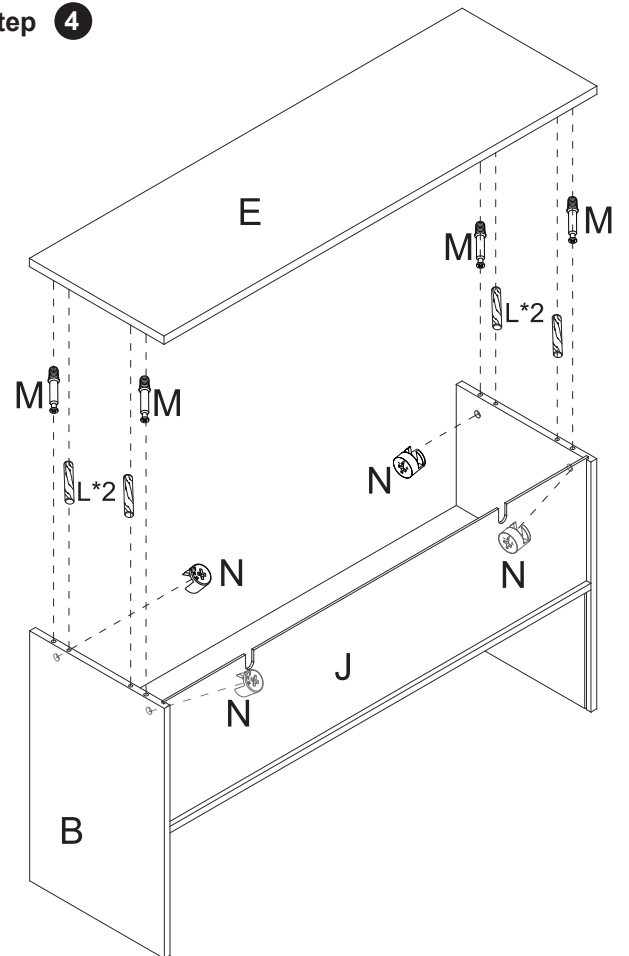
Step 2



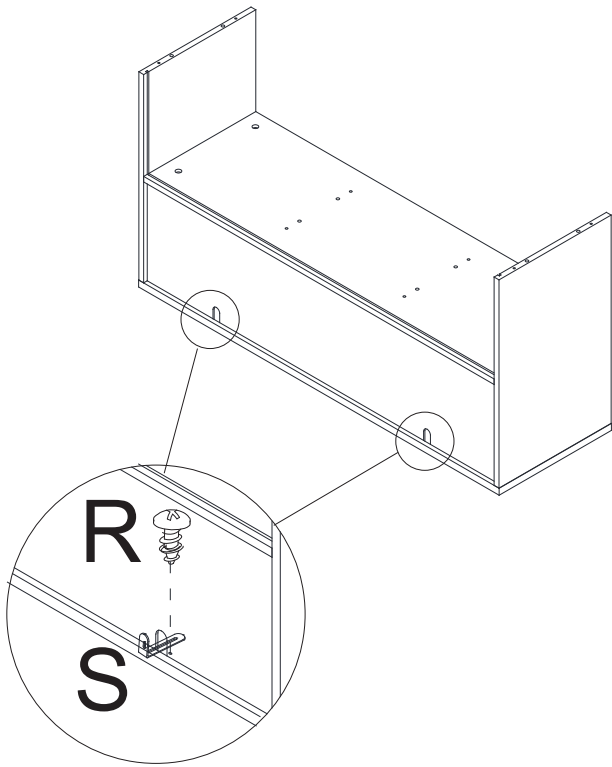
Step 3



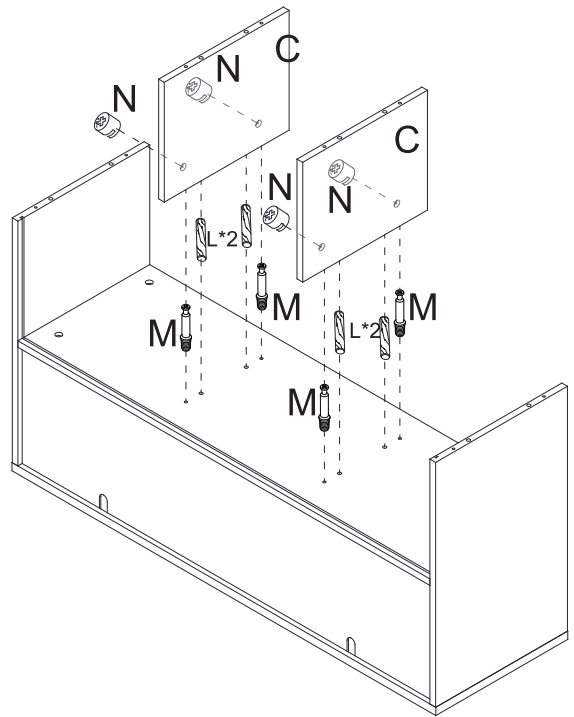
Step 4



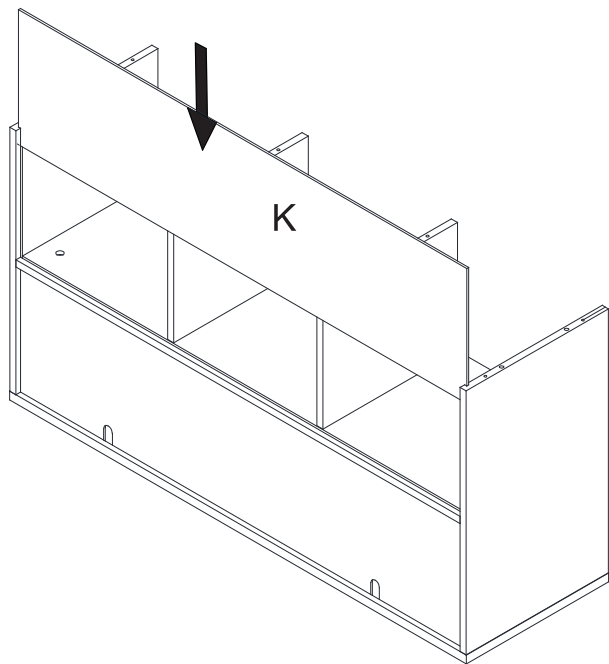
Step 5



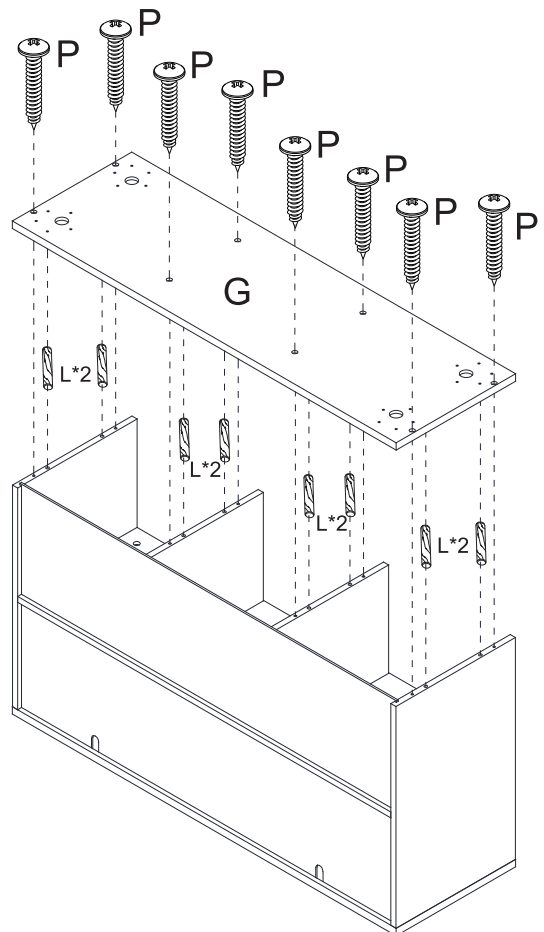
Step 6



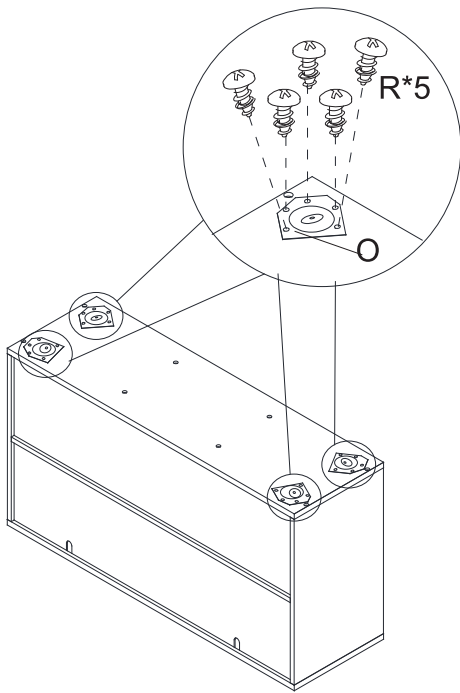
Step 7



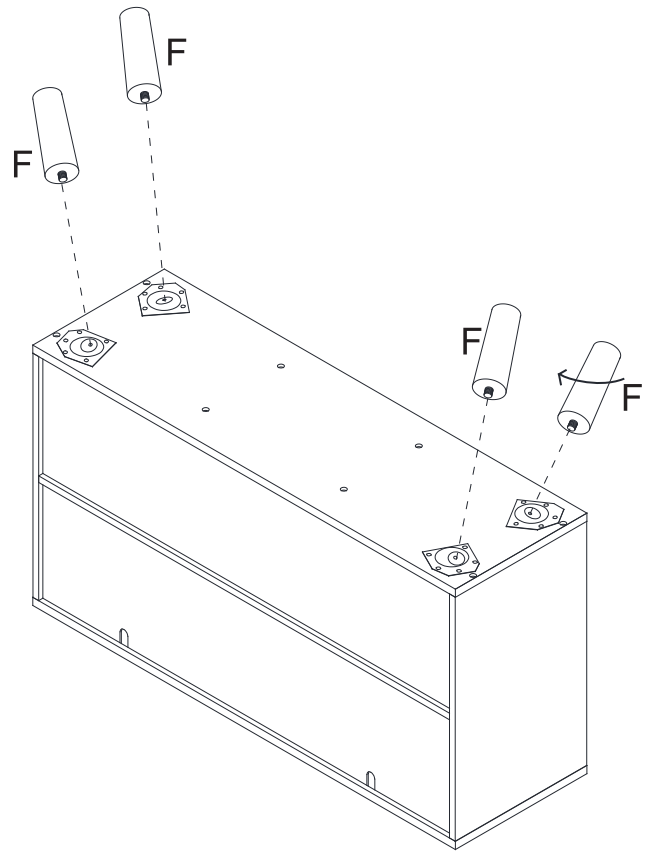
Step 8



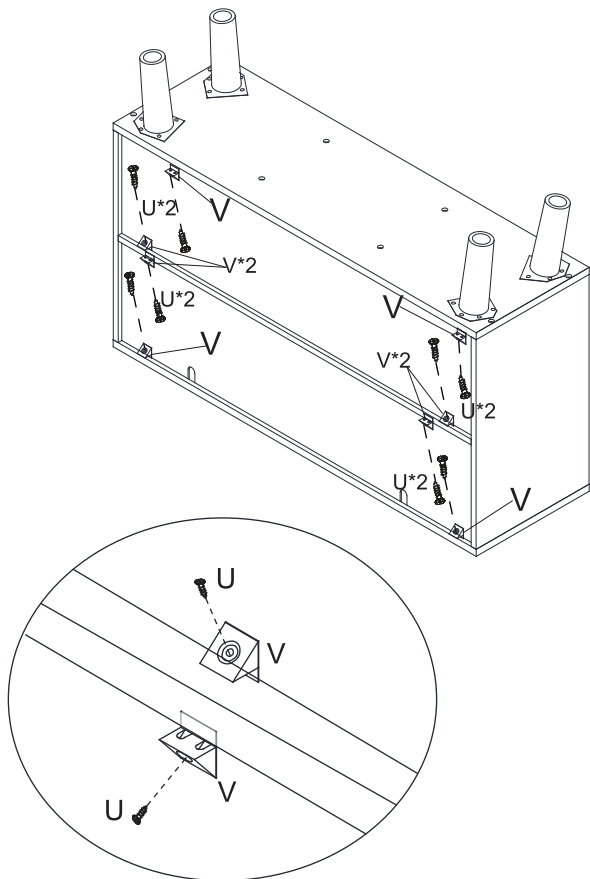
Step 9



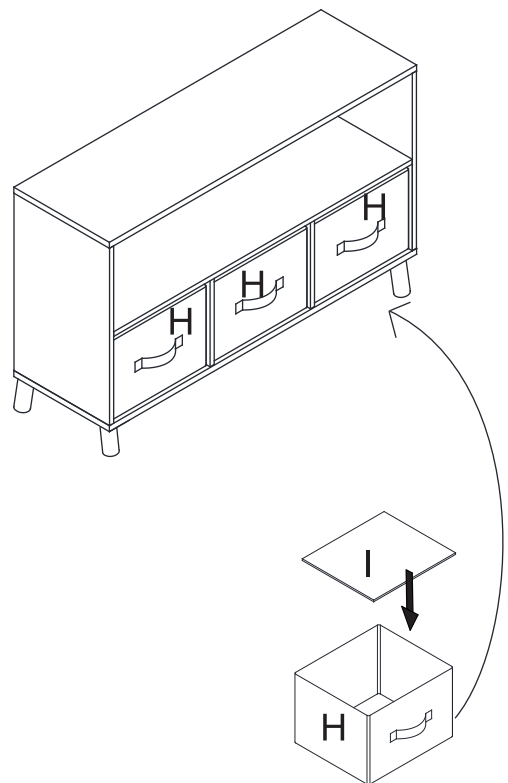
Step 10



Step 11



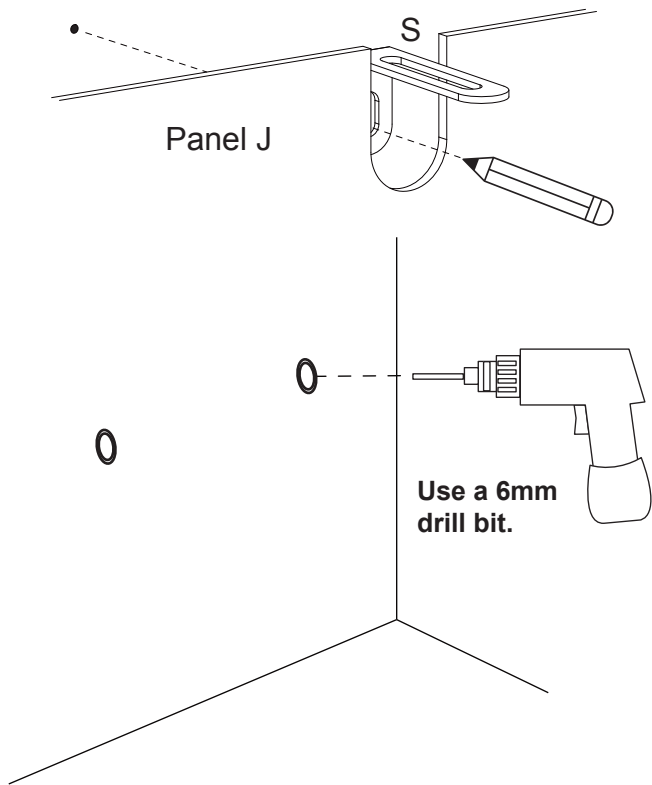
Step 12



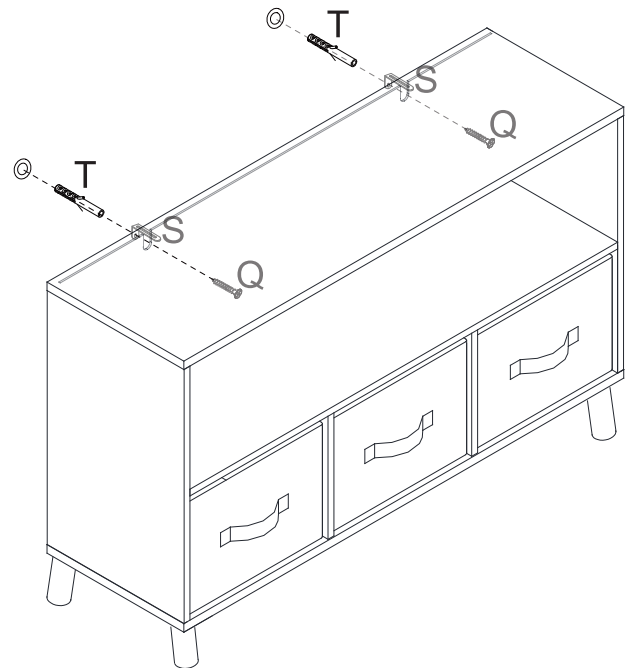
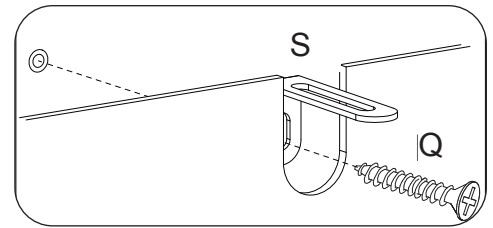
Step 13

**FOR STABILITY SECURE
WITH WALL FIXING**

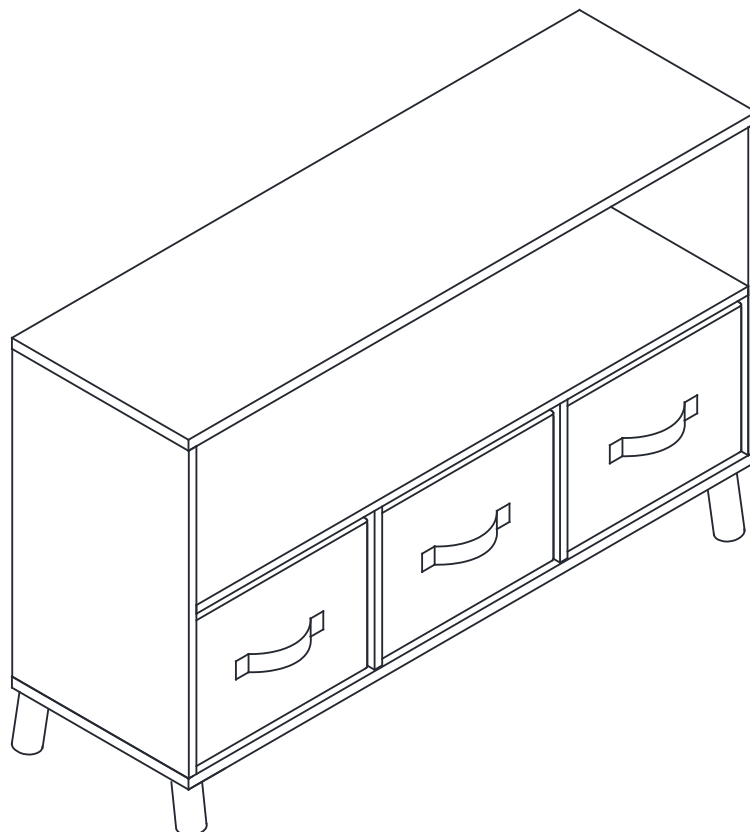
Locate the unit in position and make a pencil mark through the hole in the back shelf – to mark position for the wall screw.



Step 14



COMPLETE



CARE/CLEANING INSTRUCTIONS

- Wipe furniture with a soft dry cloth, do not use paper as this may be abrasive to the finish.
- The unit should be cleaned with a damp cloth and dried with a dry cloth.
- DO NOT use bleach or chemical solutions to clean the product.
- DO NOT expose to sunlight or other heat sources for a prolonged period.
- DO NOT store or leave outside.
- Periodically check the tightening of legs and screws.

SAFETY TESTED

The product conforms to:
FIRA FRQG C001:2021 / FIRA FRQG C004:2016+A1:2017

WARNINGS

1. **WARNING: Serious or fatal crush injuries can occur from furniture tip over. ALWAYS secure this unit to wall with wall fixings supplied.**
2. **WARNING: DO NOT use this product if any part is broken, torn or missing. Please contact your supplier and spare parts can be supplied – please use only parts approved by the manufacturer.**
3. **Please keep children away from the work area during assembly of this product – due to small parts.**
4. **Dispose of all packaging carefully and responsibly.**
5. **We advise you to keep these instructions in a safe place in case required for future use.**
6. **Assembly to be carried out by a competent adult only.**
7. **This product is suitable for children in the age range of 3 to 12 years old.**
8. **The maximum loading weight of the product is 30 KG.**
9. **Regular check all fastenings to ensure that they are properly tightened.**