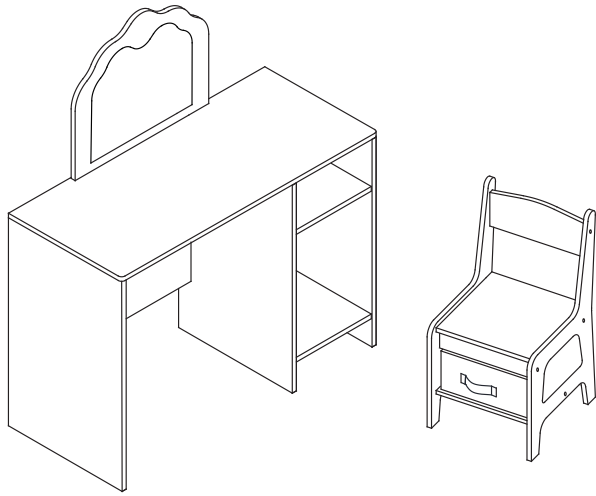
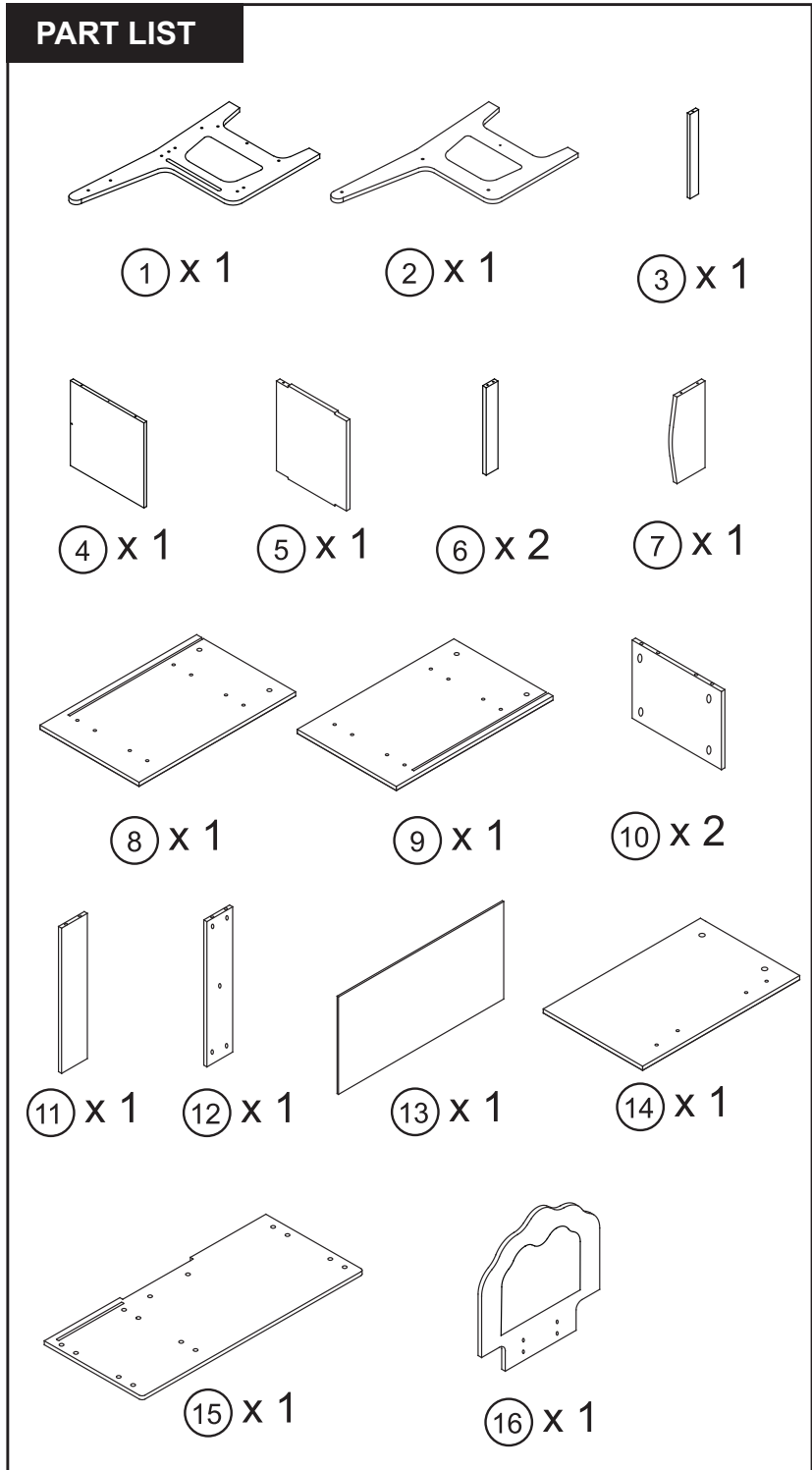


**IMPORTANT! RETAIN THESE INSTRUCTIONS FOR FUTURE REFERENCES.  
 ASSEMBLY TO BE CARRIED OUT BY A COMPETENT ADULT ONLY.**



**PART LIST**



① x 1      ② x 1      ③ x 1

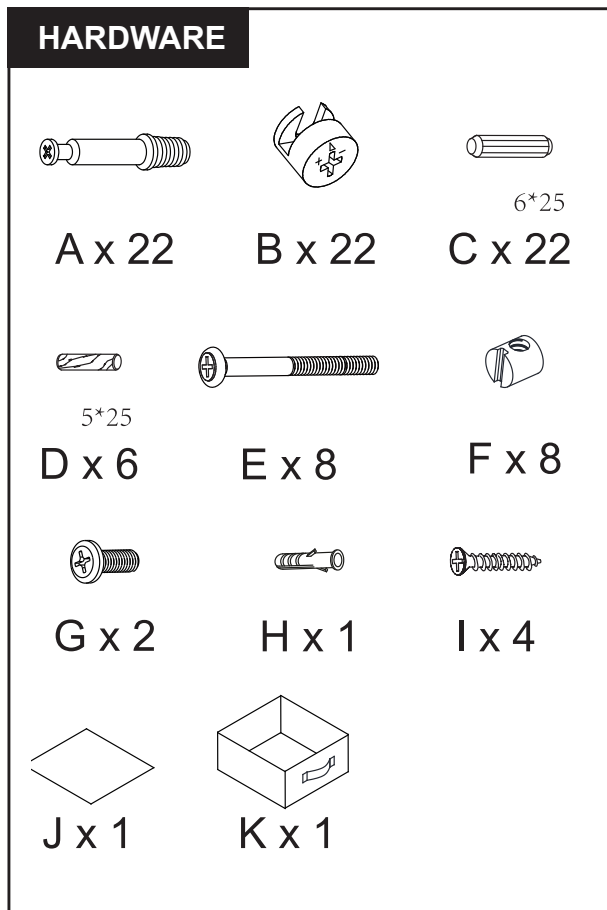
④ x 1      ⑤ x 1      ⑥ x 2      ⑦ x 1

⑧ x 1      ⑨ x 1      ⑩ x 2

⑪ x 1      ⑫ x 1      ⑬ x 1      ⑭ x 1

⑮ x 1      ⑯ x 1

**HARDWARE**



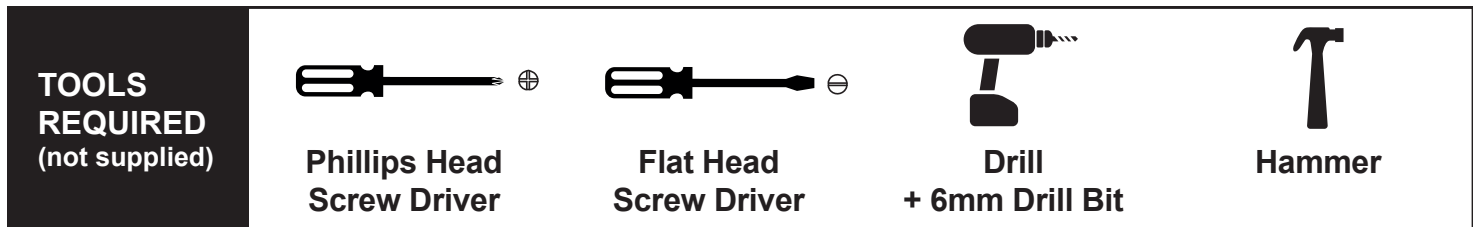
A x 22      B x 22      C x 22  
6\*25

D x 6      E x 8      F x 8  
5\*25

G x 2      H x 1      I x 4

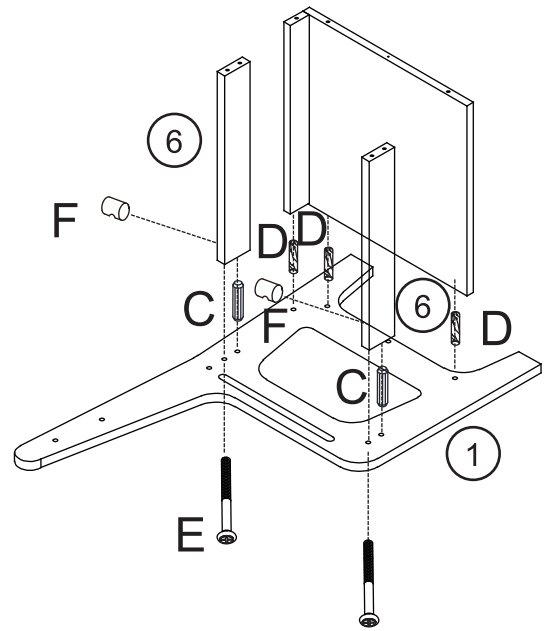
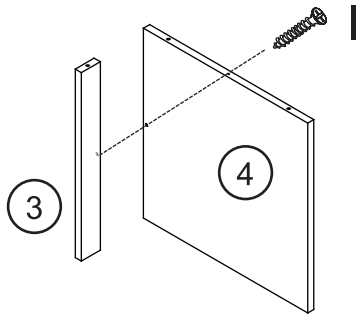
J x 1      K x 1




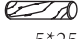
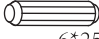
**TOOLS REQUIRED (not supplied)**



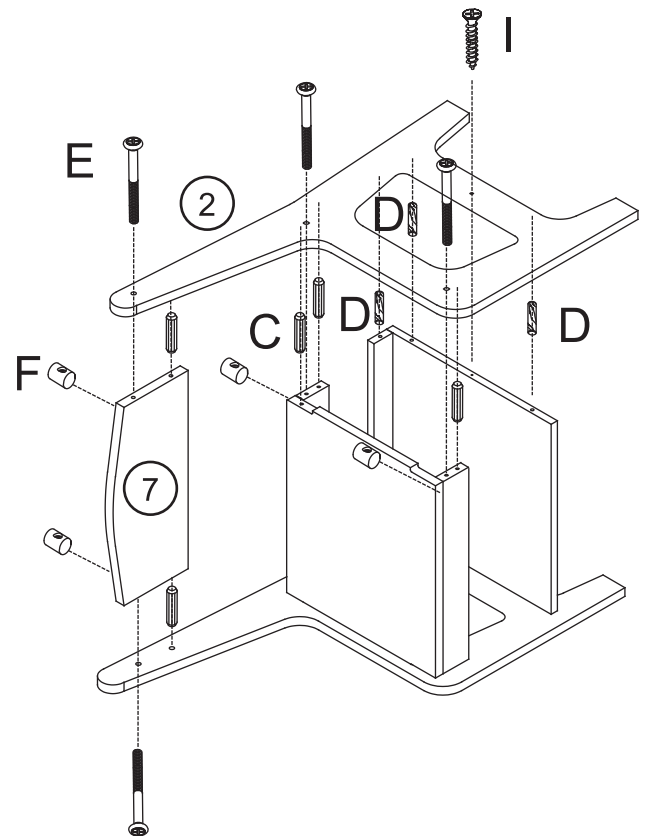
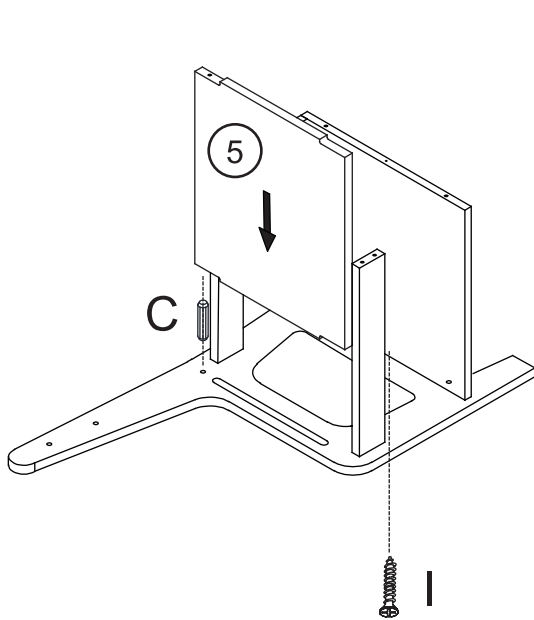
Phillips Head Screw Driver      Flat Head Screw Driver      Drill + 6mm Drill Bit      Hammer





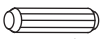
Step 1



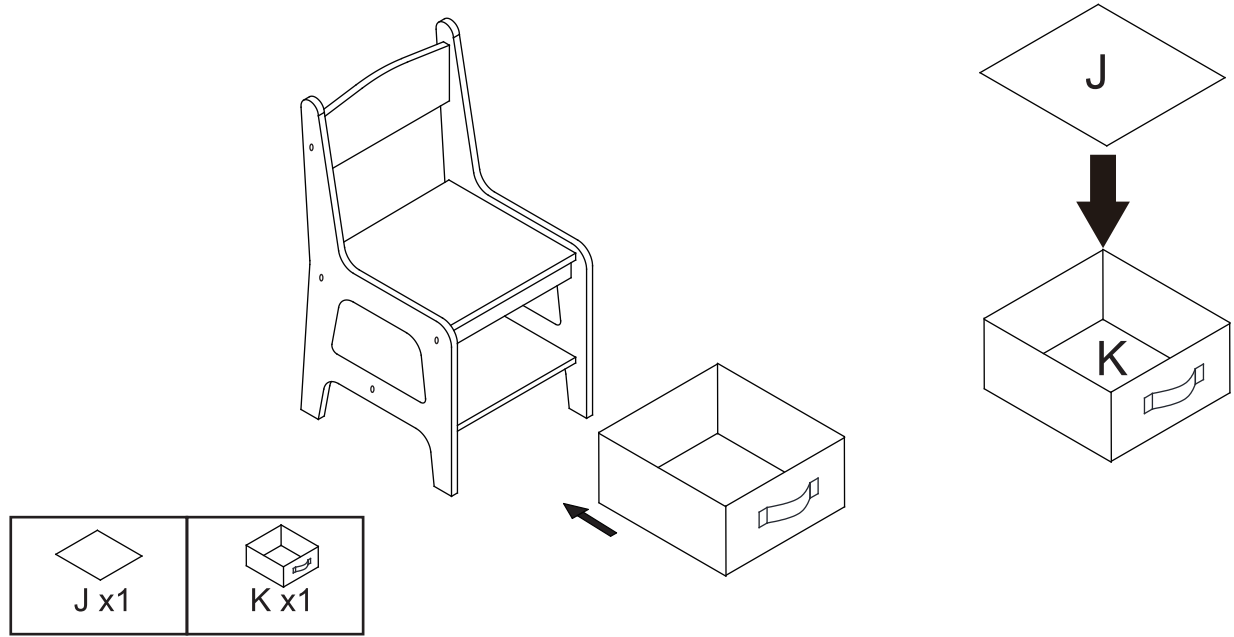
 I x1	 E x2	 F x2
 5*25 D x3	 6*25 C x2	

Step 2

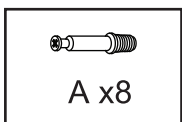
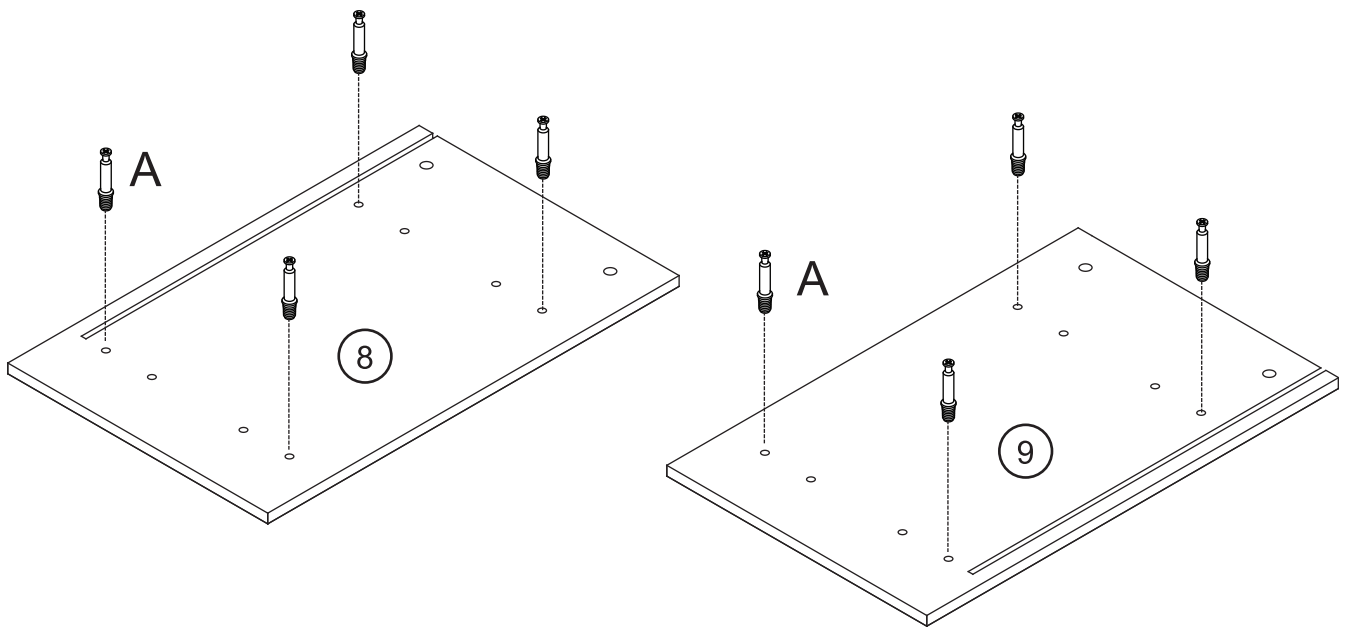


 I x2	 E x4	 F x4
 5*25 D x3	 6*25 C x6	

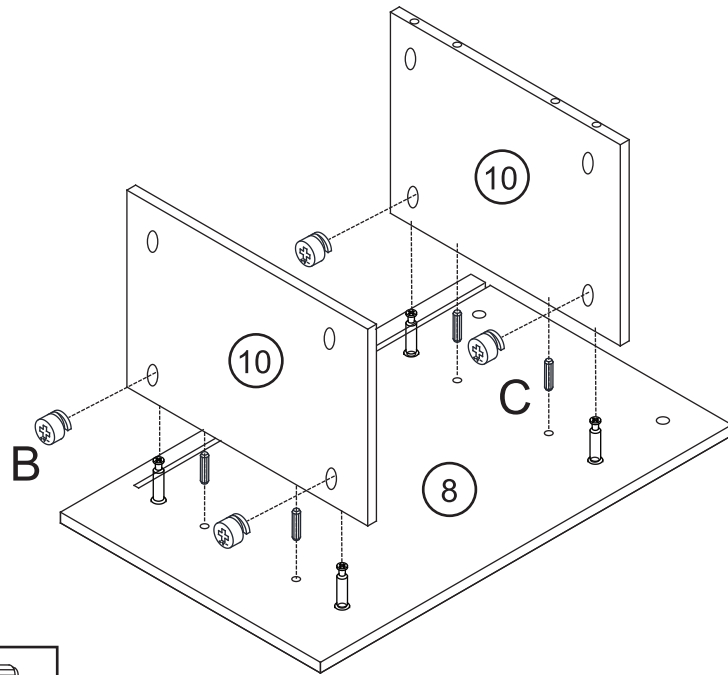
Step 3



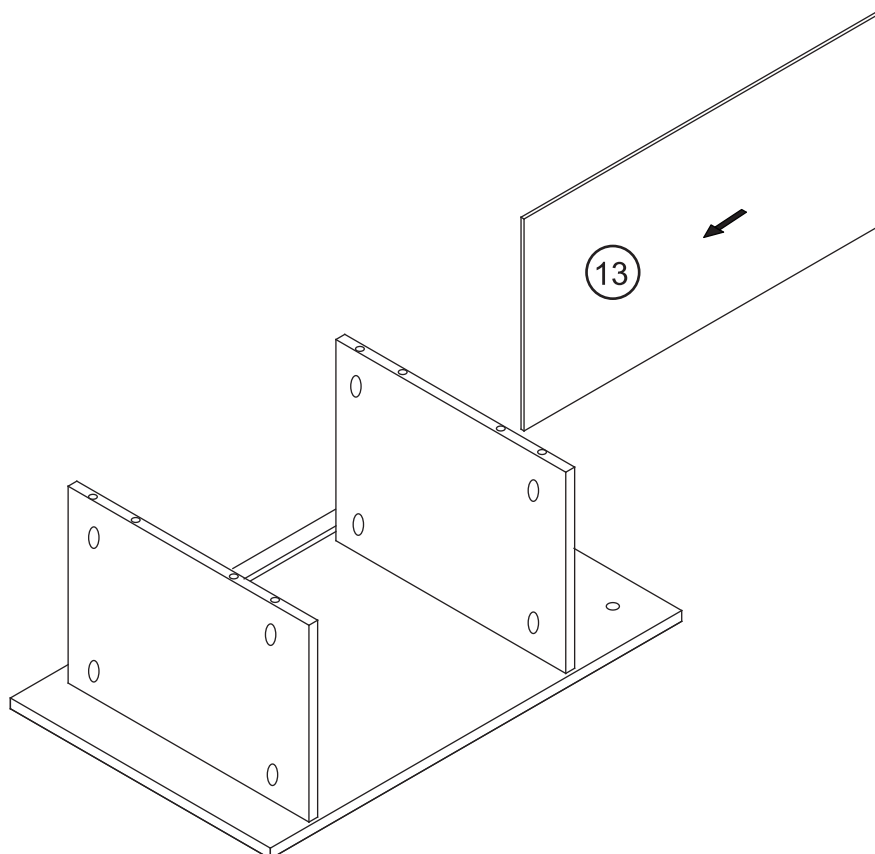
Step 4



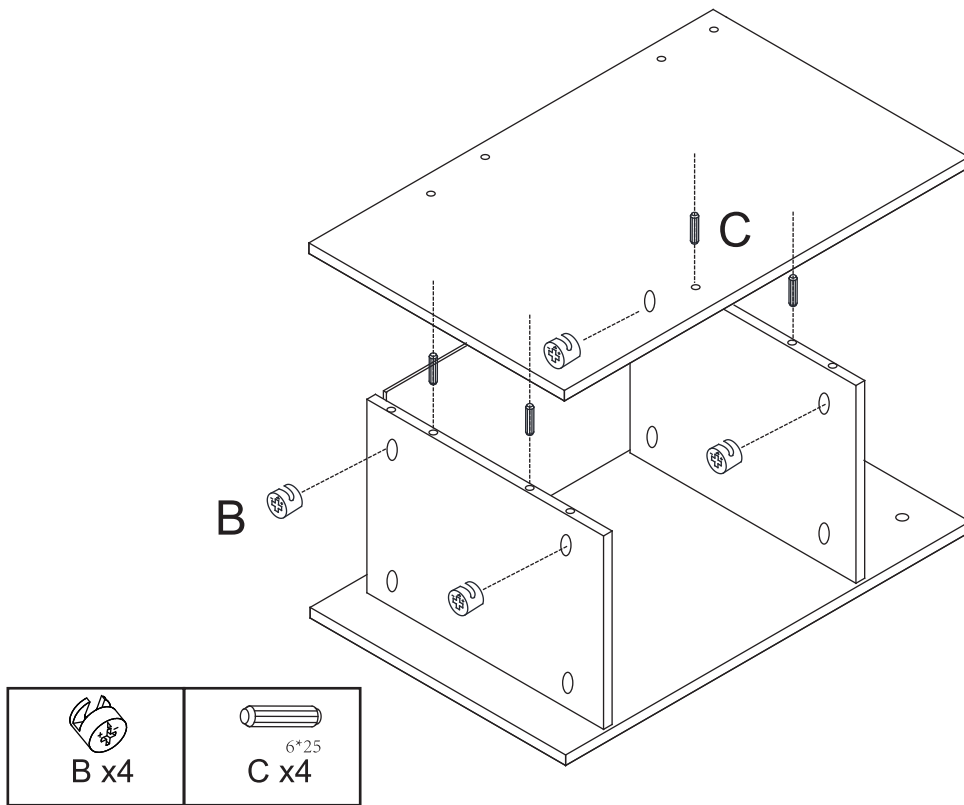
Step 5



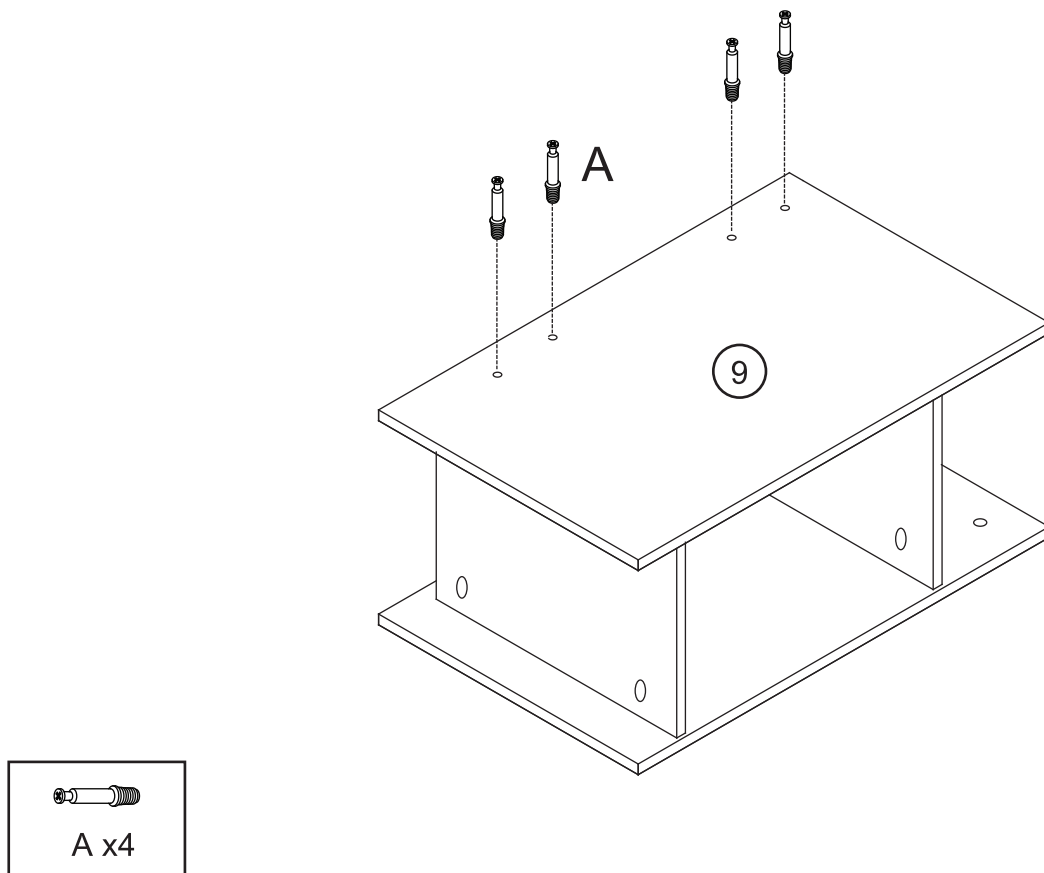
Step 6



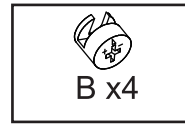
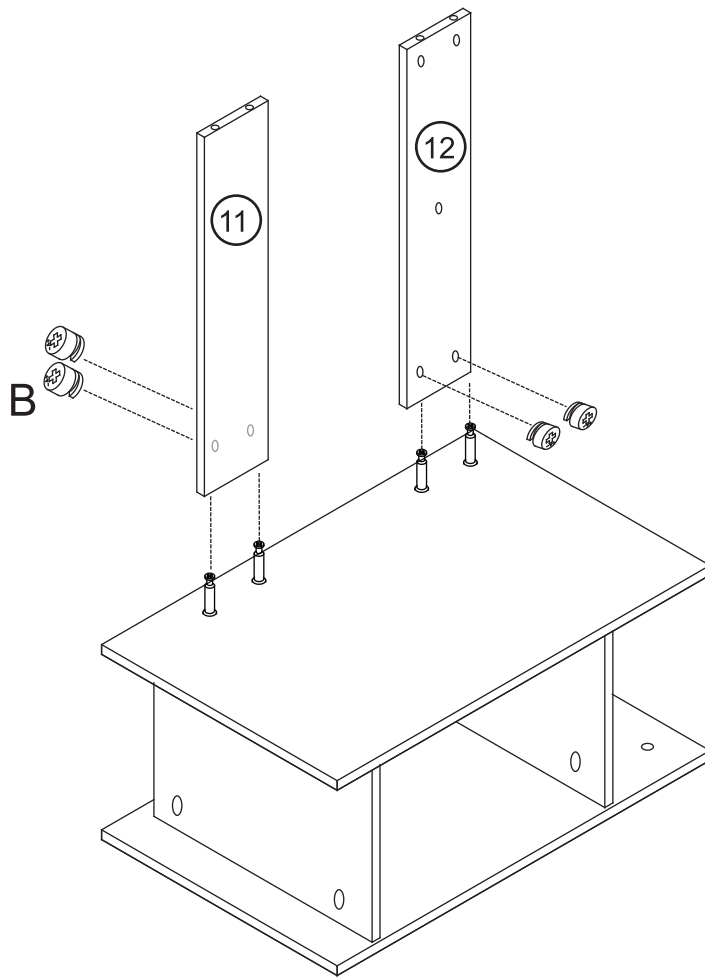
Step 7



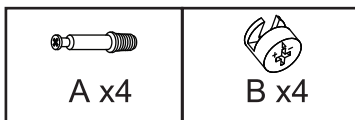
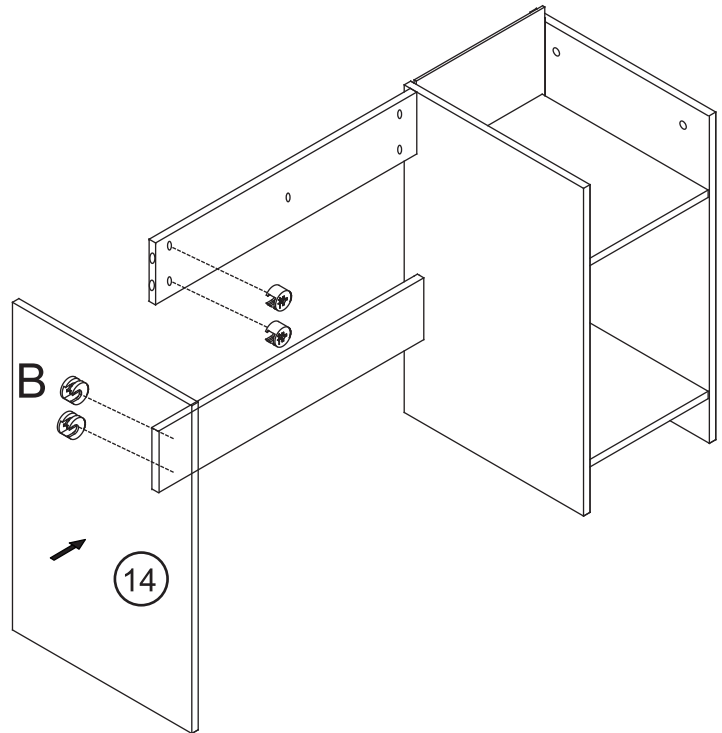
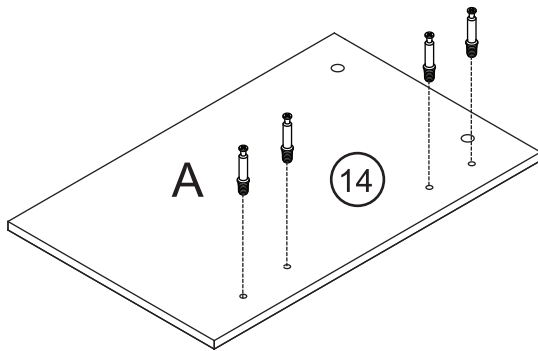
Step 8



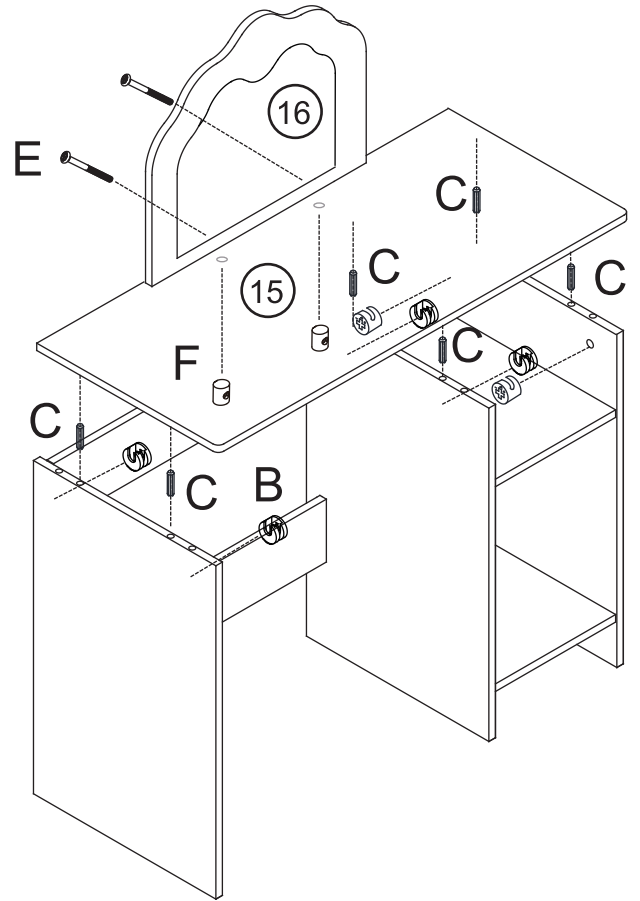
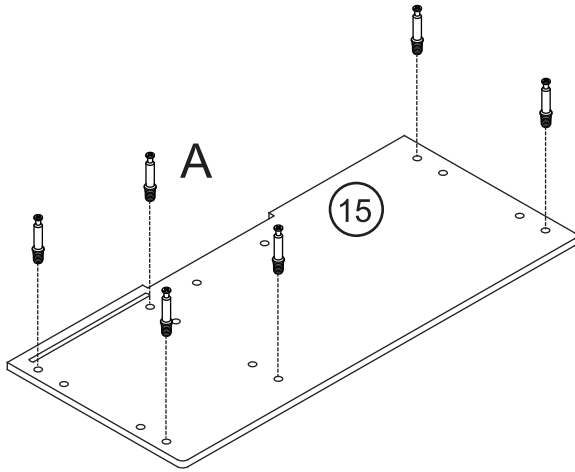
Step 9


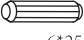
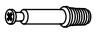




Step 10

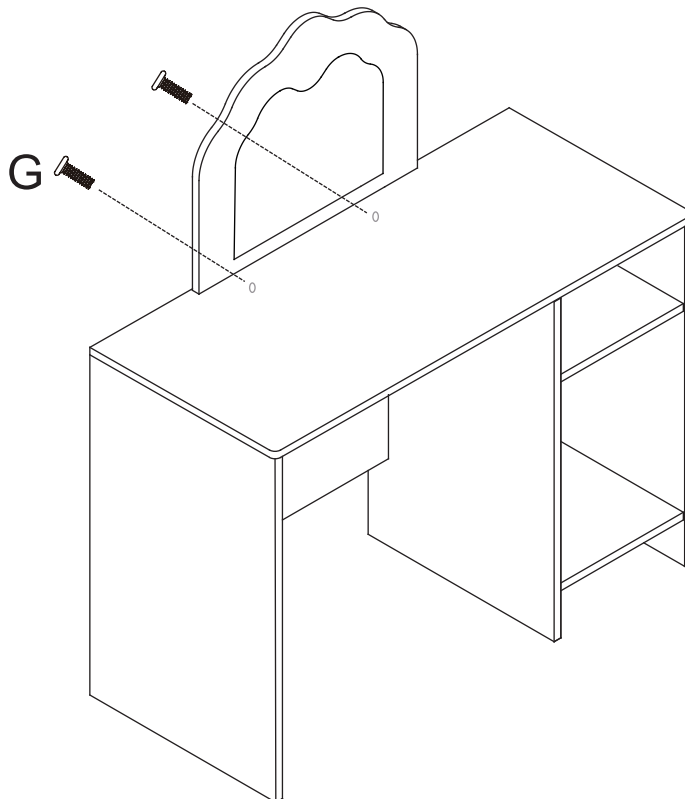



Step 11



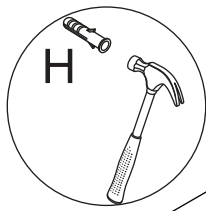
 E x2	 C x6 6*25
 A x6	 B x6
	 F x2



Step 12

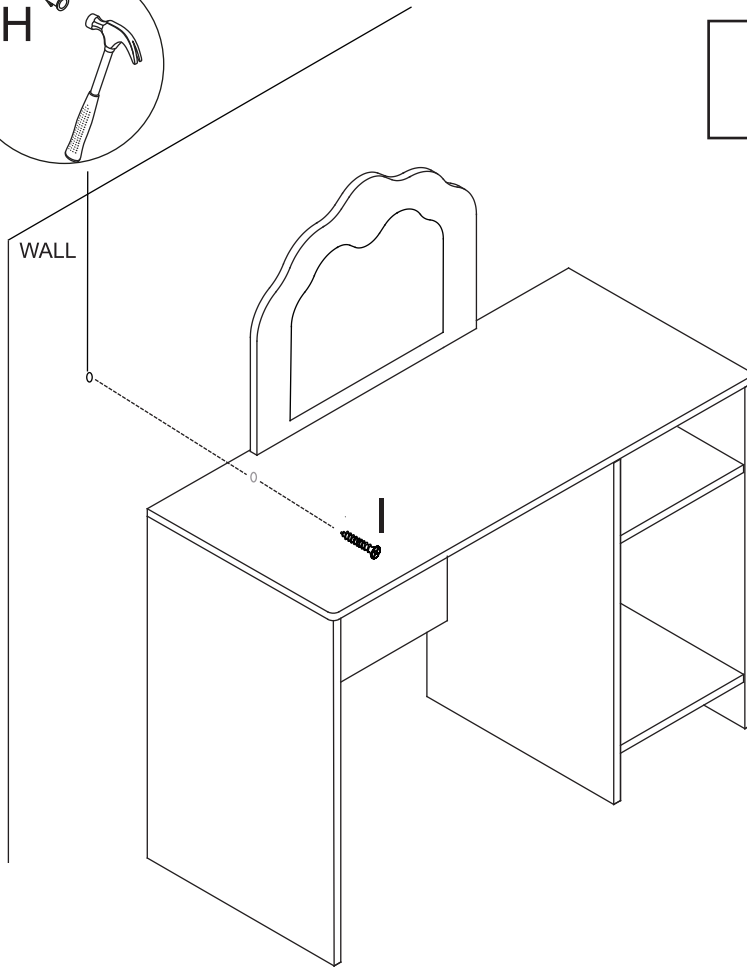


 G x2
---

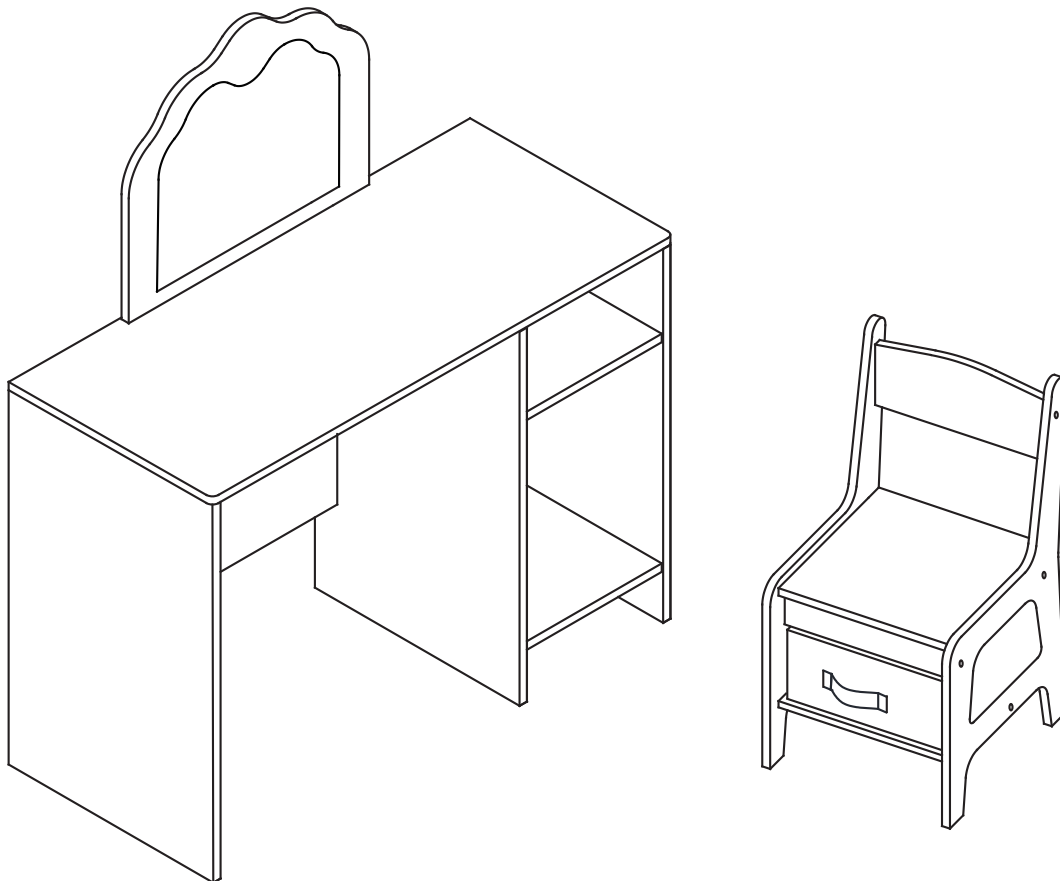
Step 13



	
H x1	I x1



COMPLETE



## CARE/CLEANING INSTRUCTIONS

- Wipe the acrylic safety mirror clean with a dampened microfibre cloth, as other materials may scratch.
- The set should be cleaned with a damp cloth and dried with a dry cloth, do not use paper as this may be abrasive to the finish.
- **DO NOT** use bleach or chemical solutions to clean the product.
- **DO NOT** expose to sunlight or other heat sources for a prolonged period.
- **DO NOT** store or leave outside.
- Regularly check all fastenings to ensure that they are properly tightened.

## SAFETY TESTED

The product conforms to: FIRA FRQG C001:2021 / FIRA FRQG C004:2016+A1:2017 / FIRA FRQG C003:2021 / BS EN17191:2021

## WARNINGS

1. **WARNING: DO NOT** place this product near a window, as it can be used as a step by a child and cause the child to fall out of the window.
2. **WARNING: DO NOT** place this product near a window where the cords from blinds or curtains may strangle a child.
3. **WARNING: DO NOT** use this product if any part is broken, torn or missing. Please contact your supplier and spare parts can be supplied – please use only parts approved by the manufacturer.
4. **WARNING: Be aware of the risk of open fires and other sources of strong heat in the vicinity of the product.**
5. **WARNING: Serious or fatal crush injuries can occur from furniture tip over. ALWAYS** secure this unit to wall with wall fixings supplied.
6. Please keep children away from the work area during assembly of this product – due to risk of injury and small parts.
7. Once assembled, this product is **NOT** designed to be dismantled, and reassembled.
8. Dispose of all packaging carefully and responsibly.
9. We advise you to keep these instructions in a safe place in case required for future use.
10. Assembly to be carried out by a competent adult only.
11. Do not use this item if any components are missing or damaged.
12. This product is suitable for children in the age range of 18 months to 6 years old.
13. The maximum loading weight of the product is 30 KG.



Liberty House Toys  
20-24 Gibraltar Row  
King Edward Industrial Estate  
Liverpool L3 7HJ  
United Kingdom