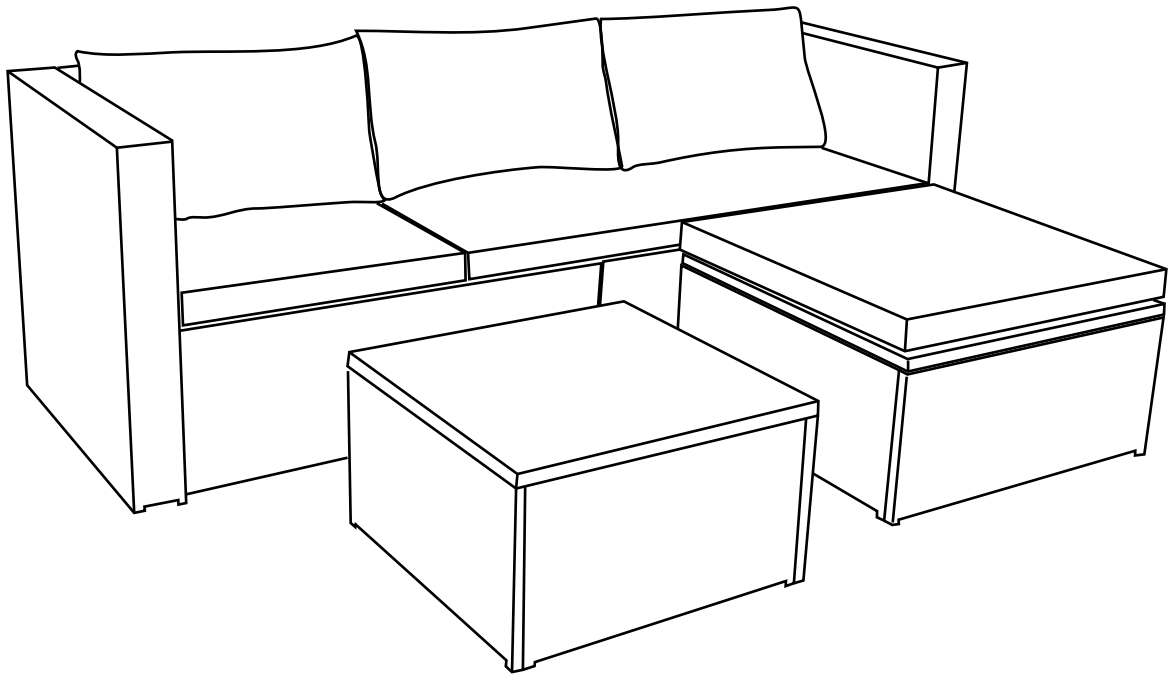
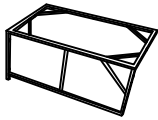
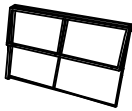

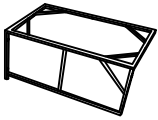
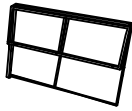







# Victoria 4 Piece Corner Assembly Instructions

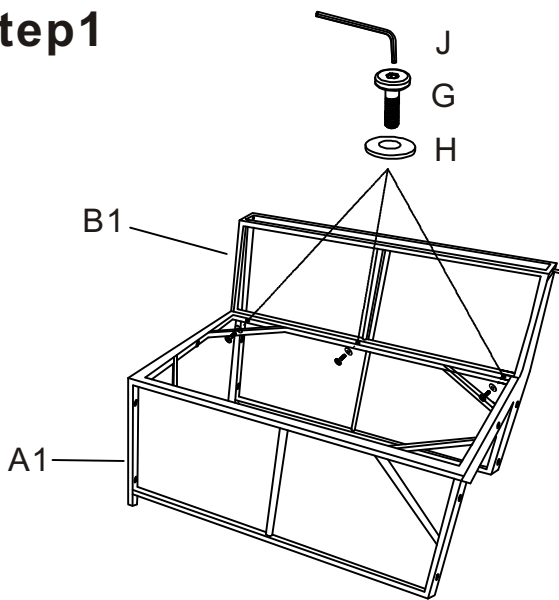


**Please read and retain for future reference,  
Do not discard any of the packaging until you have checked that you have all the  
parts and the pack of fittings.**

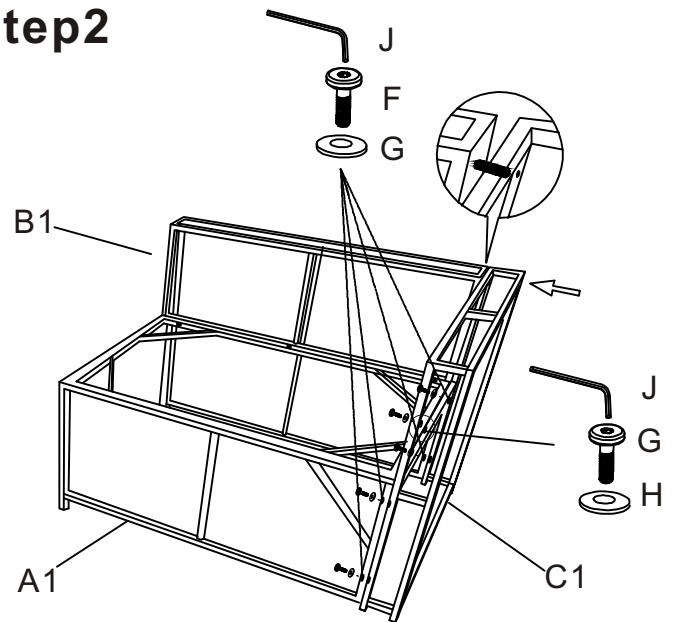
# PART LIST

					
A1x1	B1x1	C1x1	A2x1	B2x1	C2x1
					
M6 x 35mm	M6 x 40mm				
Fx8	Gx8	Hx16	Jx1		

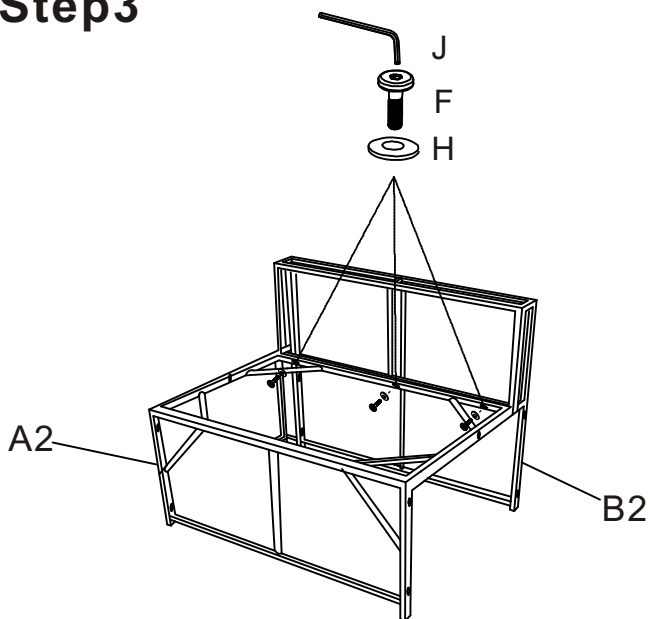
## Step1



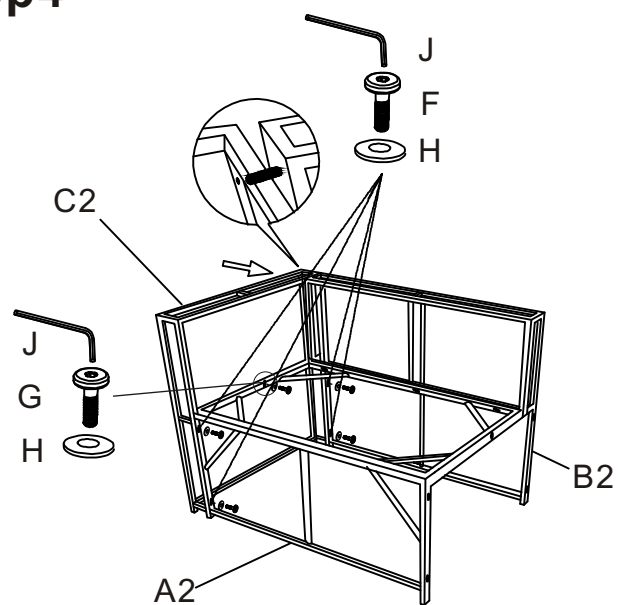
## Step2



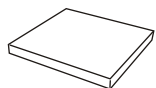
## Step3



## Step4



## PART LIST



D1X3



E1X3



Hx7



Ix1



M6 x 40mm

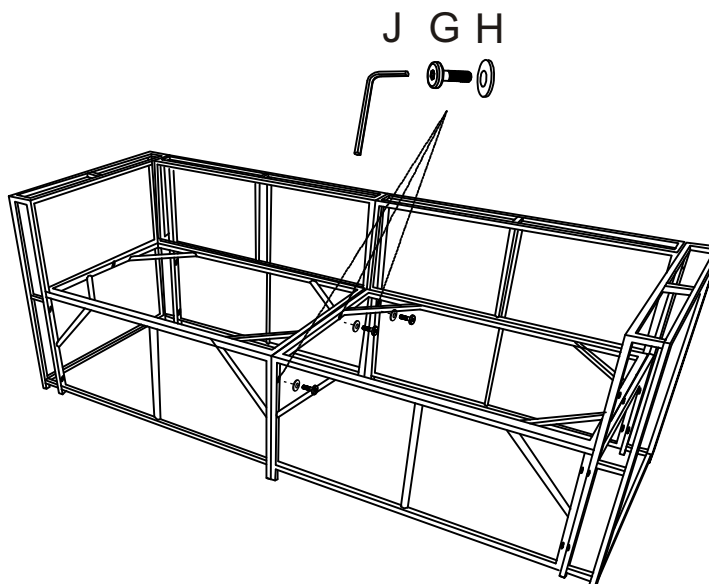
Gx3



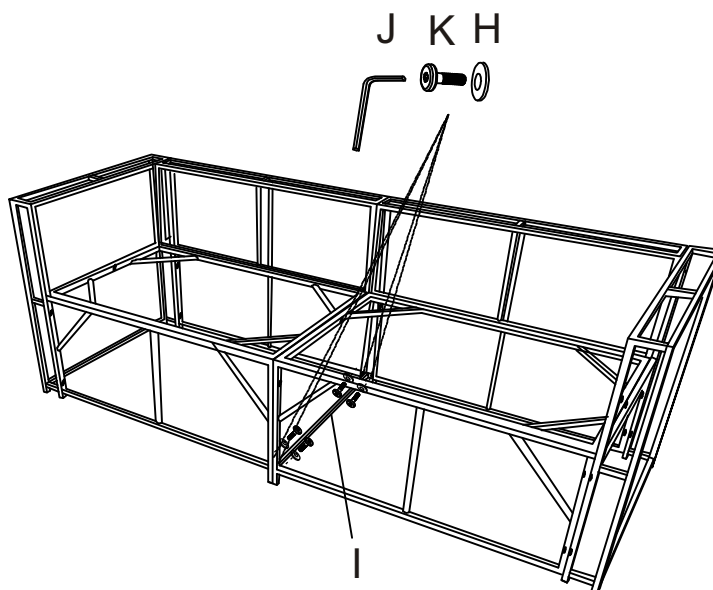
M6 x 15mm

Kx4

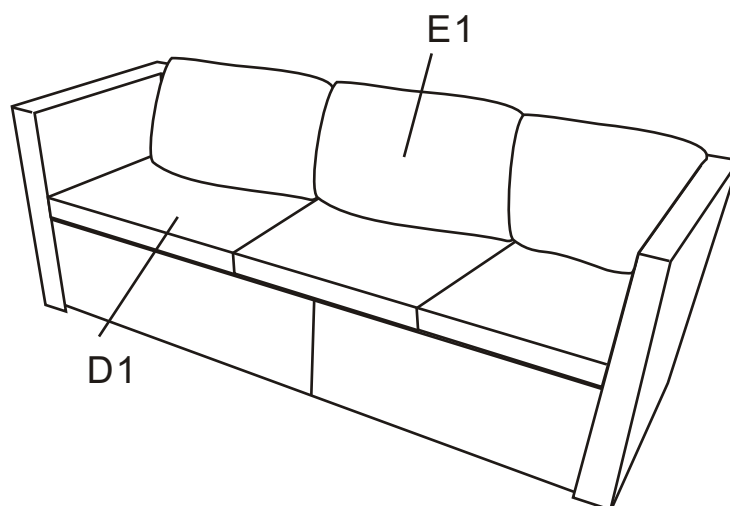
### Step1



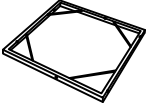

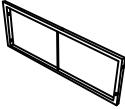
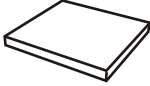


### Step2



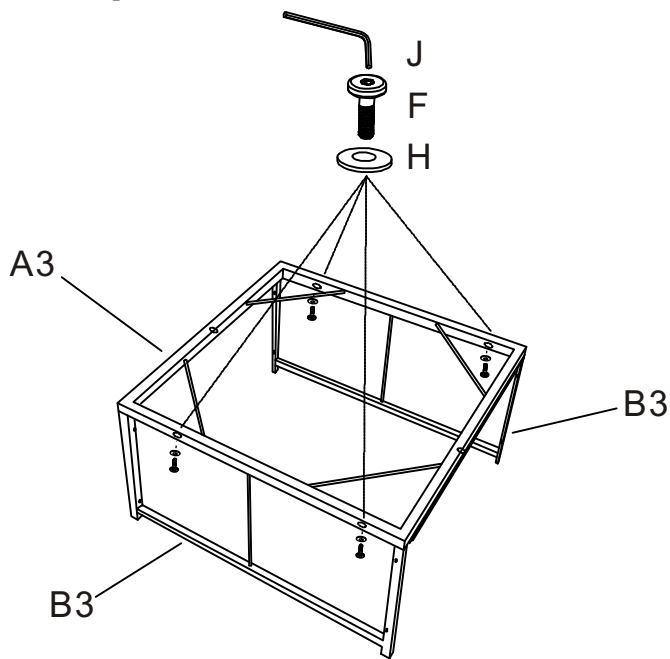
### Step3



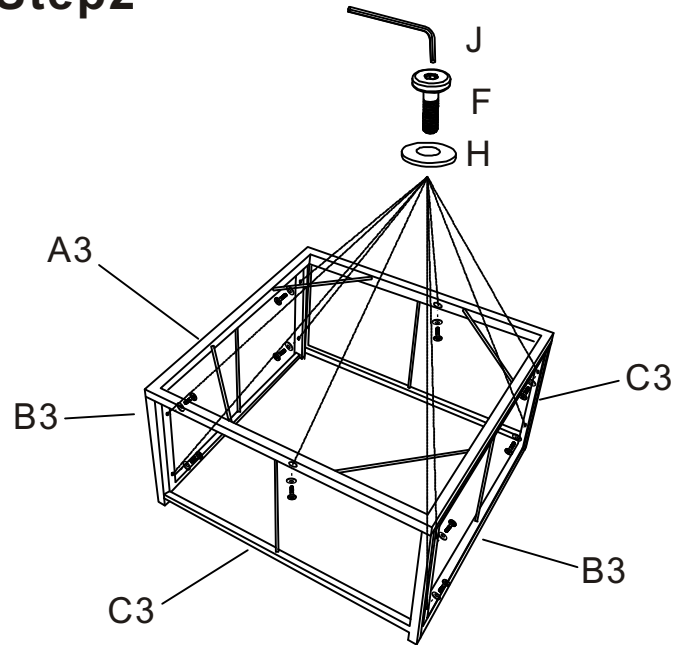
# PART LIST

				 M6 x 35mm	
A3x1	B3x2	C3x2	D2x1	Fx14	Hx14

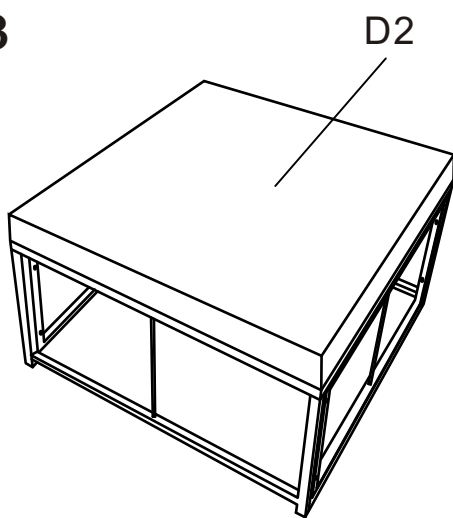
## Step1



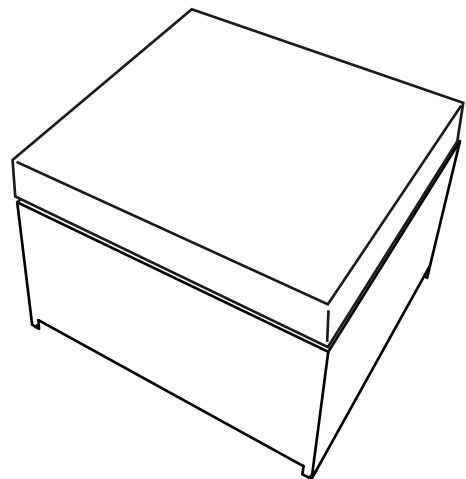
## Step2



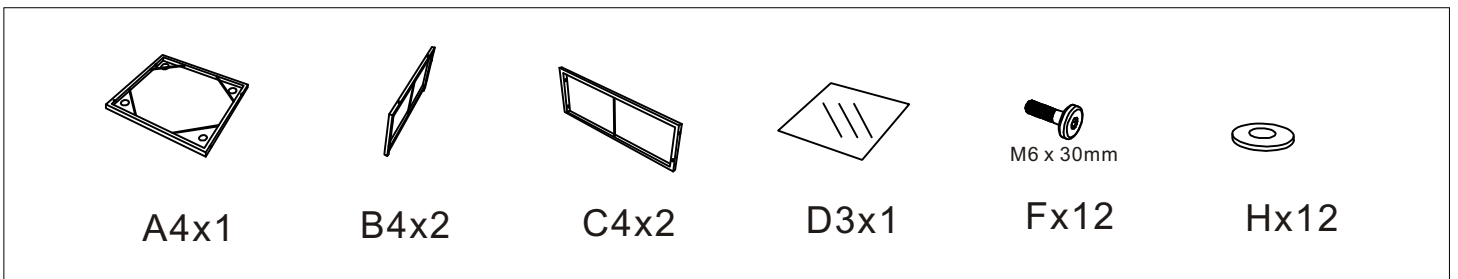
## Step3



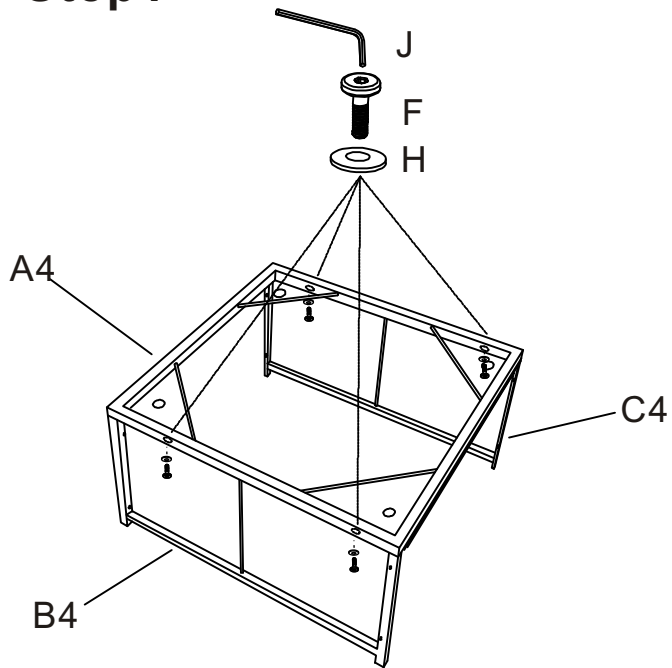
## Step4



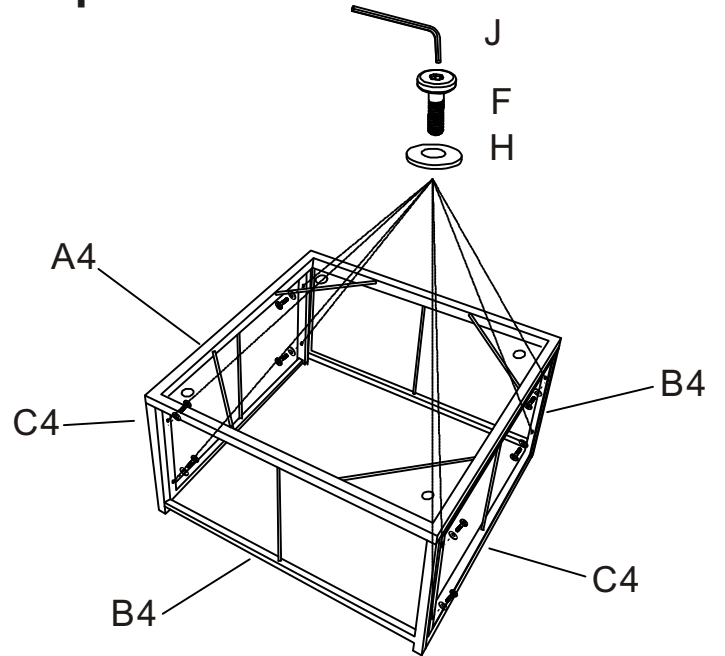
# PART LIST



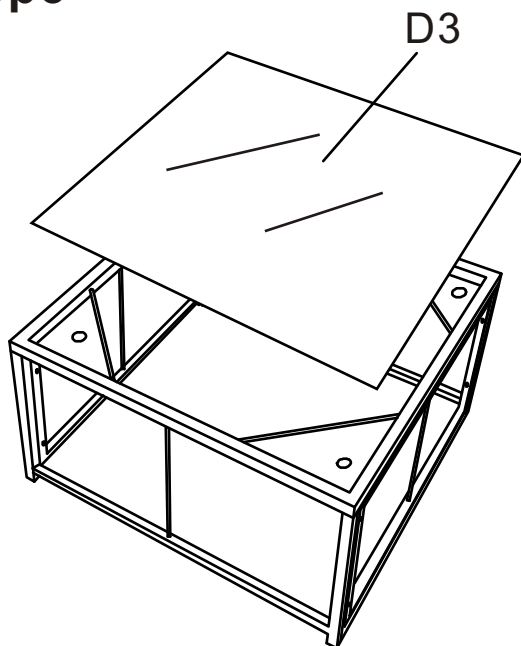
## Step1



## Step2



## Step3



## Step4

