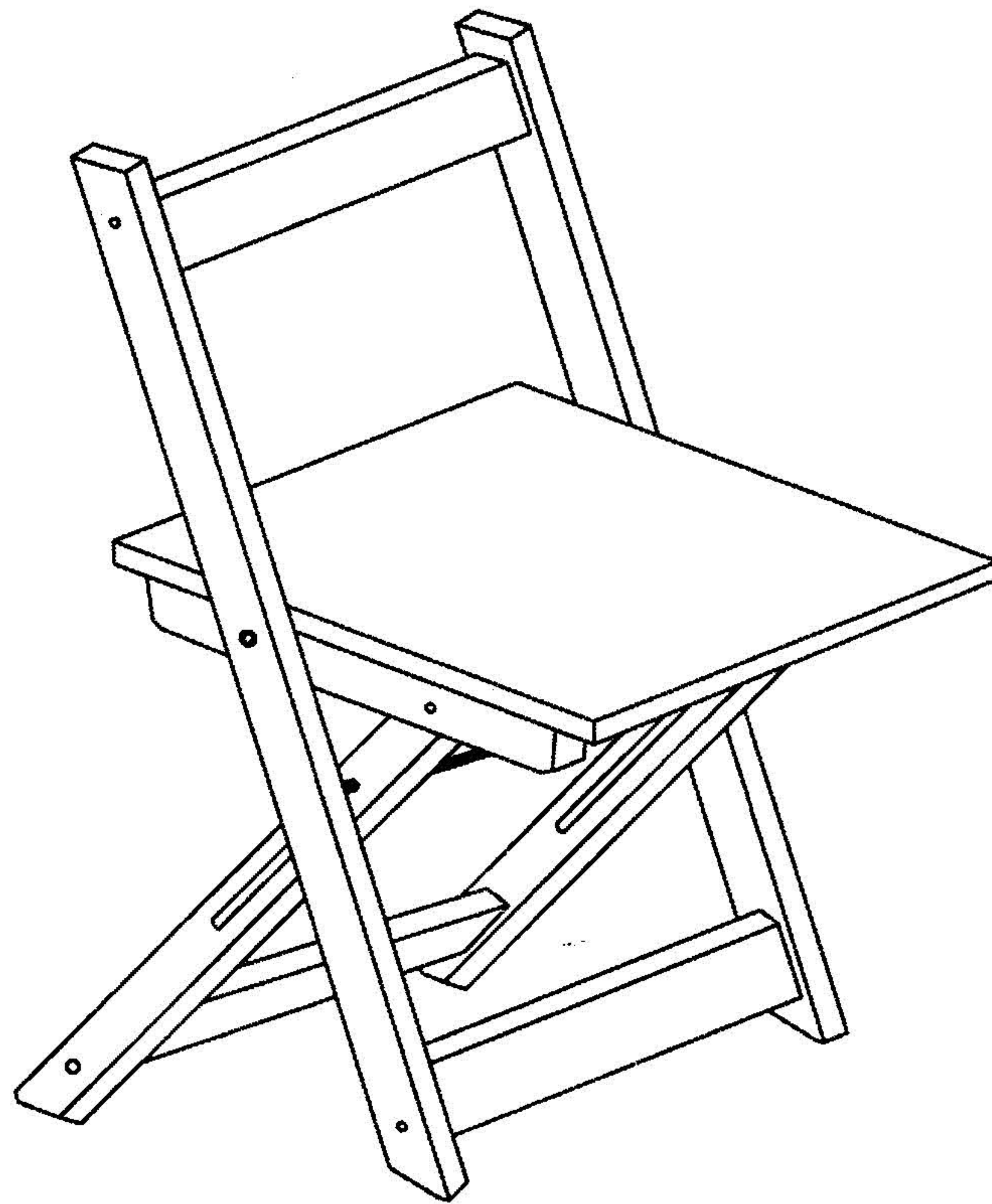


CORONA BUTTERFLY DINING SET

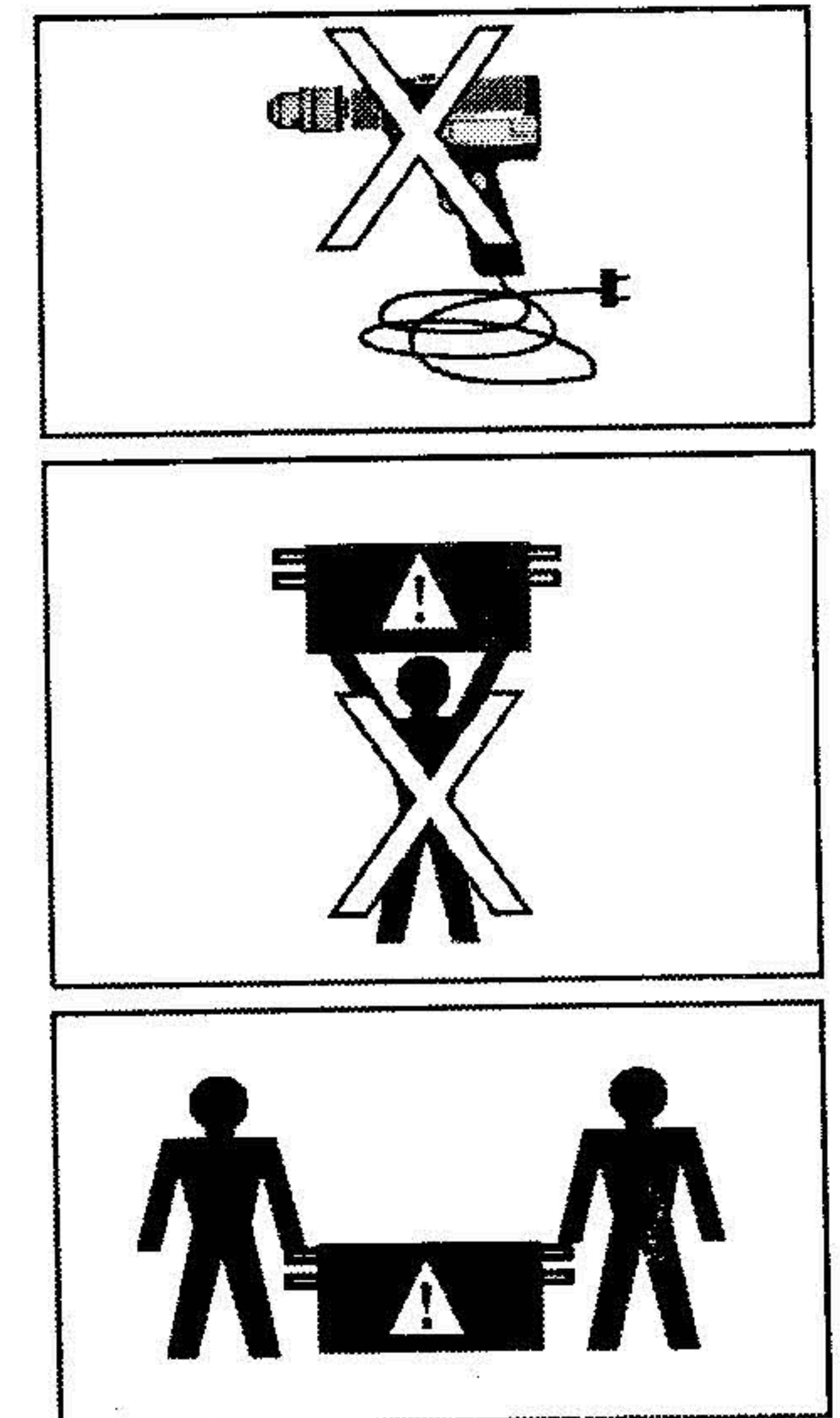


(Chair)

Width = 34,5cm

Depth = 36cm

Height = 73cm



READ AND KEEP SAFE CARE AND MAINTENANCE OF CORONA RANGE

To enjoy your new furniture for many years to come please follow our advice on how to look after it. Do's and Don'ts.
Do not place this product next to a radiator or in direct sunlight. Wood is a natural product and will expand if subjected to damp and will shrink and may crack if subjected to heat. This product is made of pine, which is a timber that is common for furniture, but susceptible to temperature changes. With pine furniture it is recommended that an even room temperature be maintained with no sudden temperature fluctuations, up or down.

Do not place HOT or CHILLED items directly on to the surface, use a place mat or marking will occur.

For general cleaning use a duster or damp cloth (ALMOST DRY) not wet.

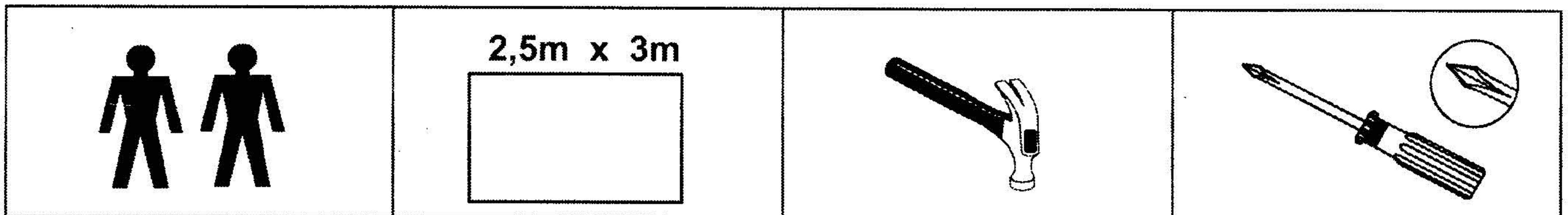
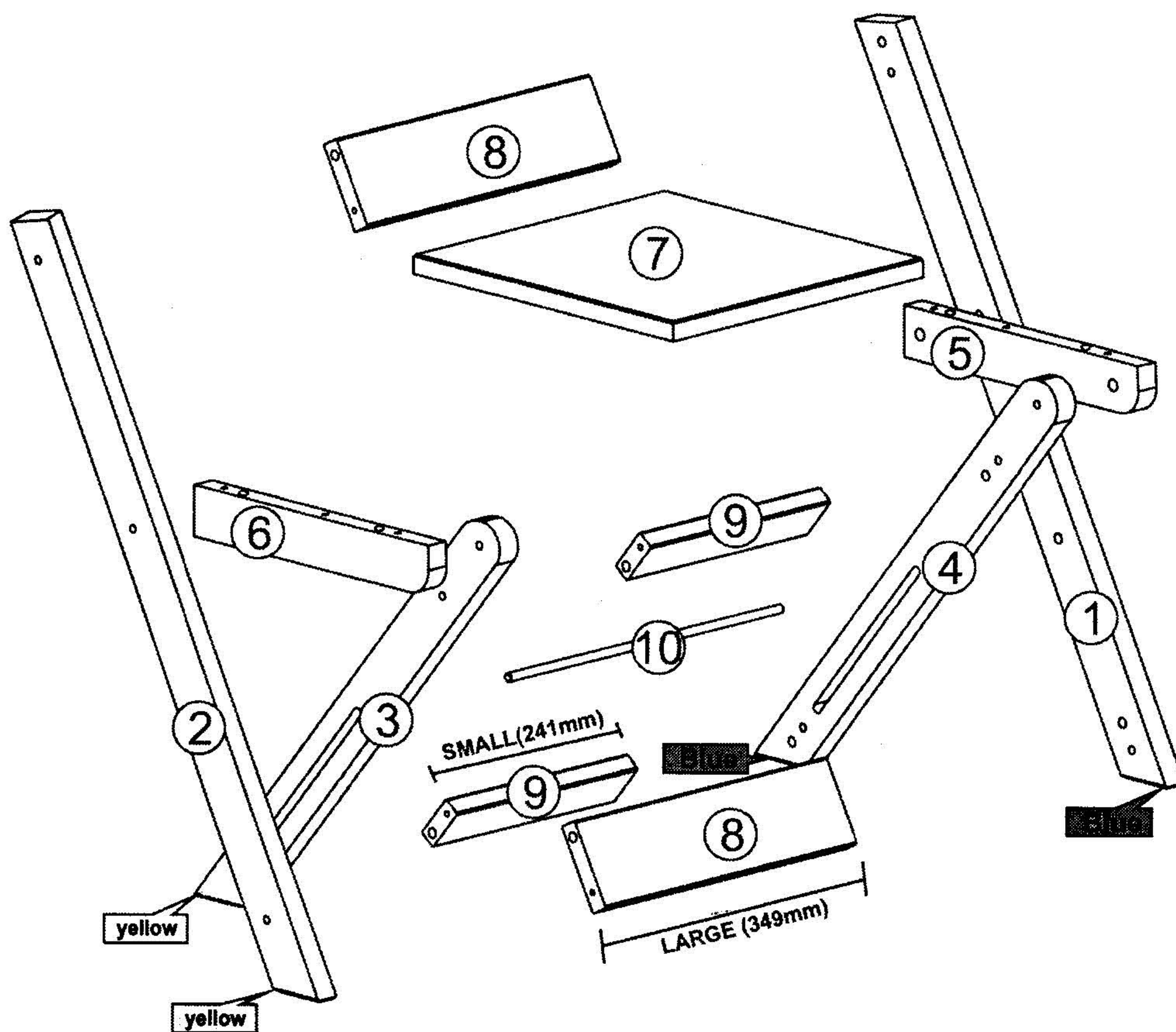
Do not use soap and water or detergents of any kind on this product for cleaning. To maintain the characteristic finish on this furniture, do not use aerosol sprays or any polish a natural stain and finish on this furniture and will react to most manmade products.

It will from time to time require the surface re-treating again to maintain its character. You can easily do this yourself using block wax (unperfumed), rubbing it over whole item, following the manufactures instruction. After treating your furniture, you may notice it is slightly more wax than previously. This is normal because wood is a natural product that breathes and absorbs depending on room temperature.

The use of any cleaning materials other than those recommended could damage the surface and will invalidate any claim.

From time to time it may be necessary to tighten fittings. This is normal and regular inspections should be carried out.


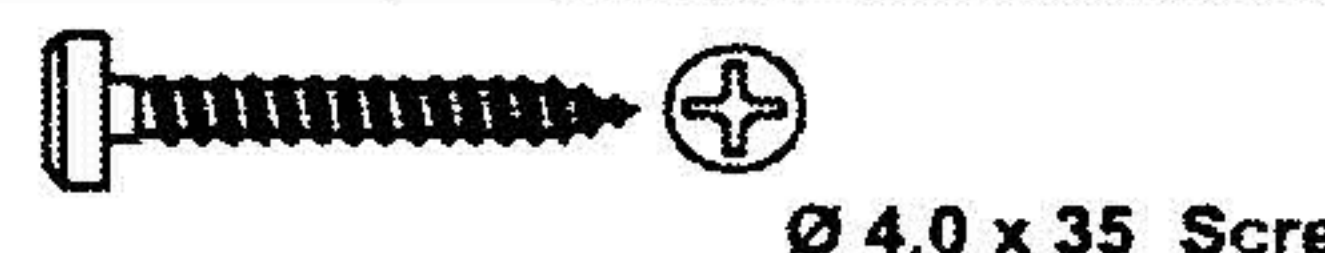



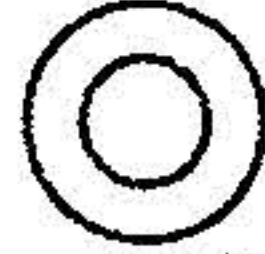

Do not place furniture into a wet or damp floor as staining may occur to your floor.



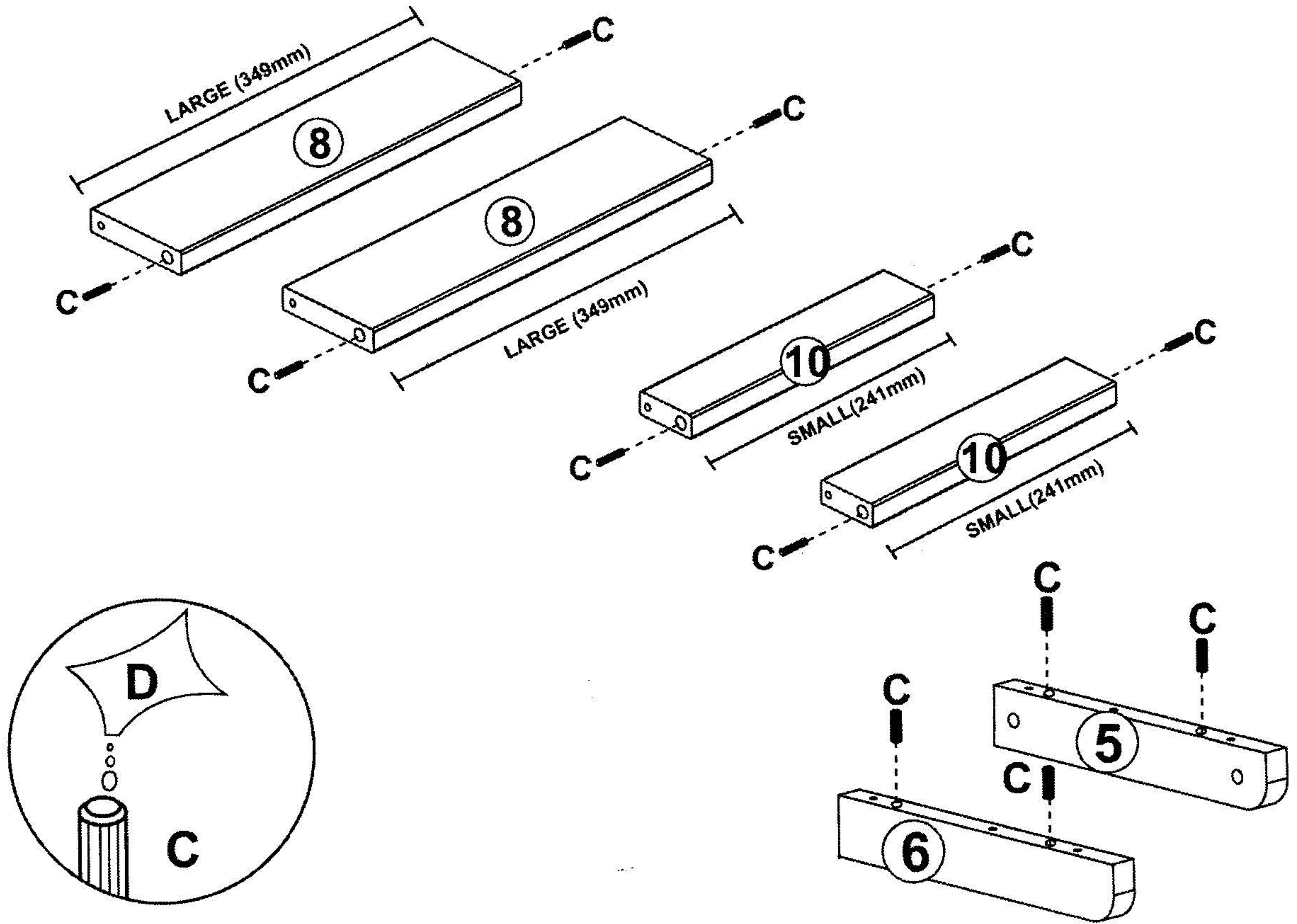
PARTS LIST


Part number	Name of Part	Quantity
1	Large Right Chair Side	1
2	Large Left Chair Side	1
3	Small Left Chair Side	1
4	Small Right Chair Side	1
5	Seat Support Right	1
6	Seat Support Left	1
7	Chair Seat	1
8	Back / Front Seat Rail	2
9	Small Up/Down Crossbeam	2
10	Black Metal Support	1

FITTINGS

A	 Ø 1/4 x 40 Screw	04	16
B	 Ø 4,0 x 35 Screw	06	24
C	 Ø8 x 30 Wood Dowel	12	48
D	 GLUE	01	04
E	 Allen	02	02
F		04	16
G	 Ø 7,0 x 70	08	32

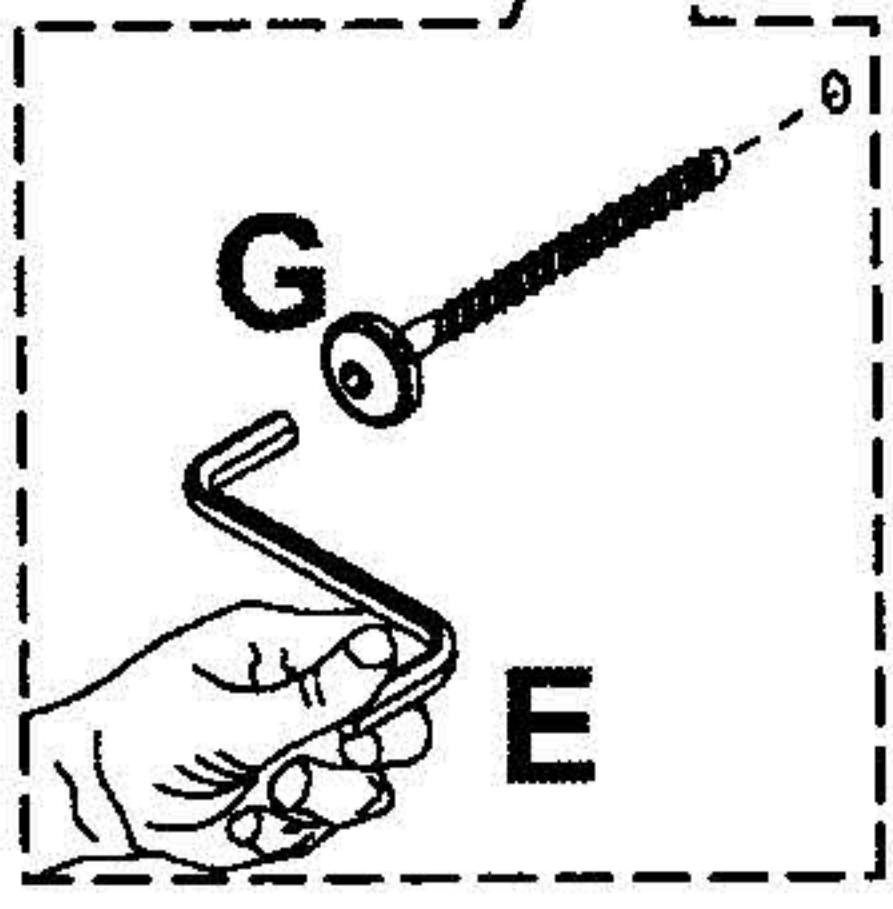
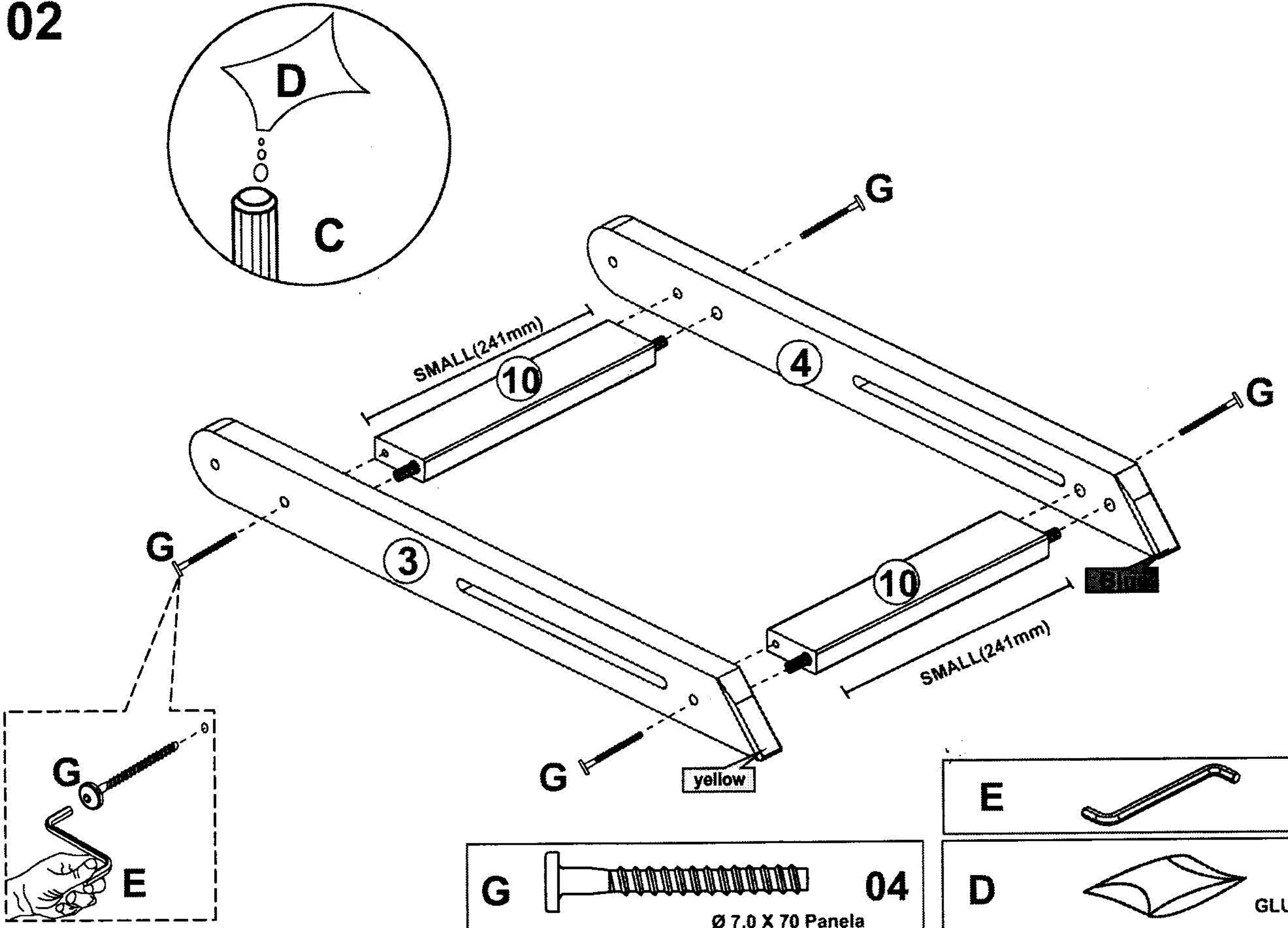
01

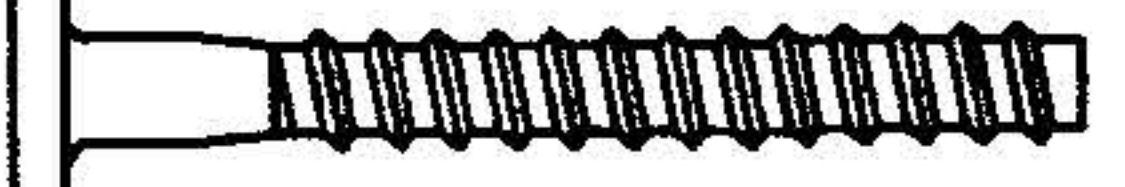



D  GLUE **01**


C  **12**
Ø8 x 30 Wood Dowel

02

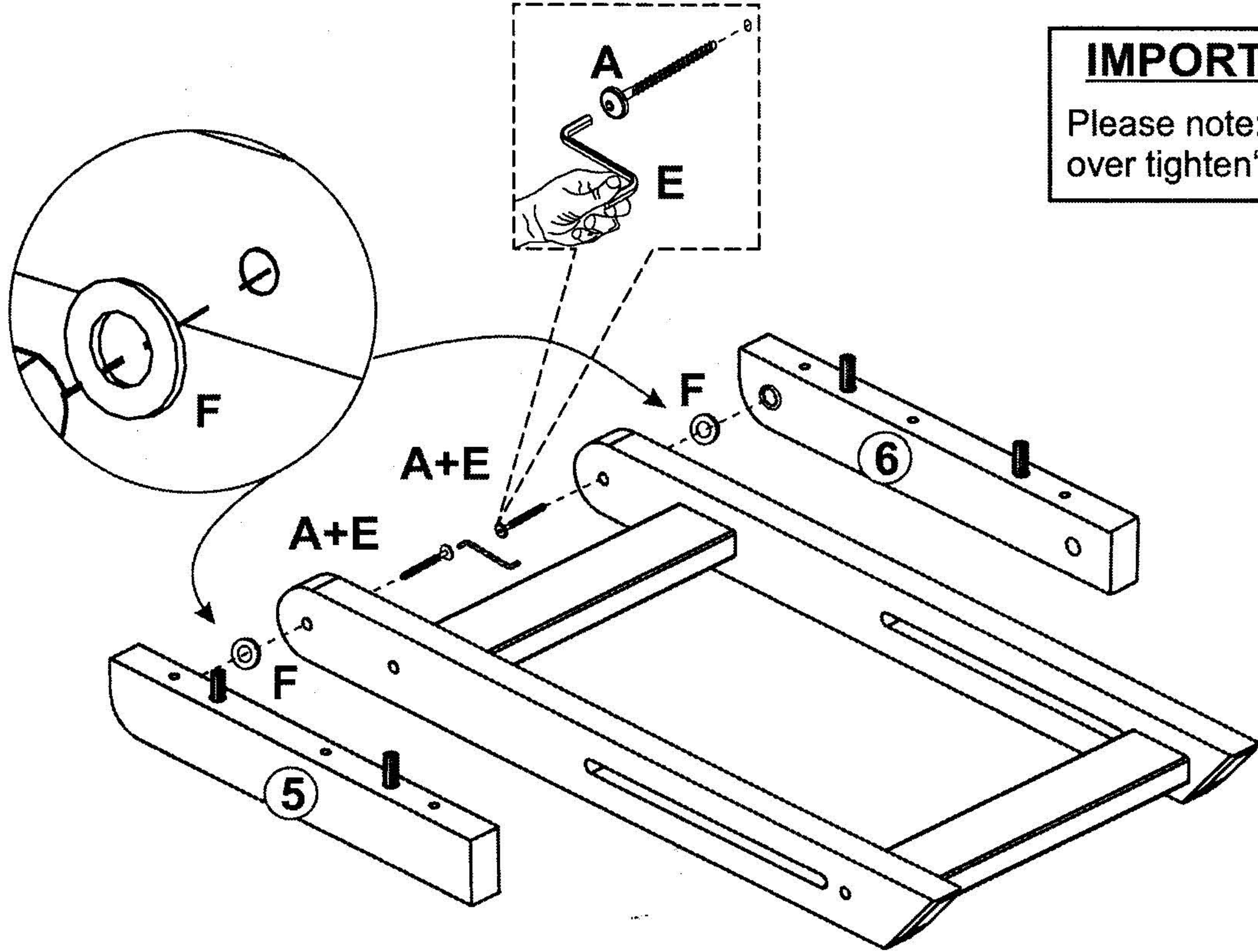


G  **04**
Ø 7,0 X 70 Panela


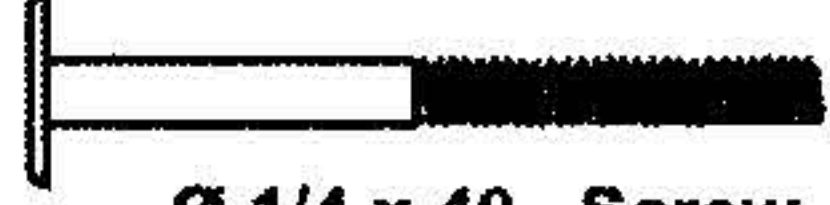

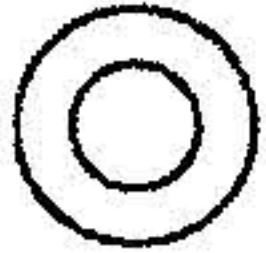
E  **01**

D  GLUE **01**

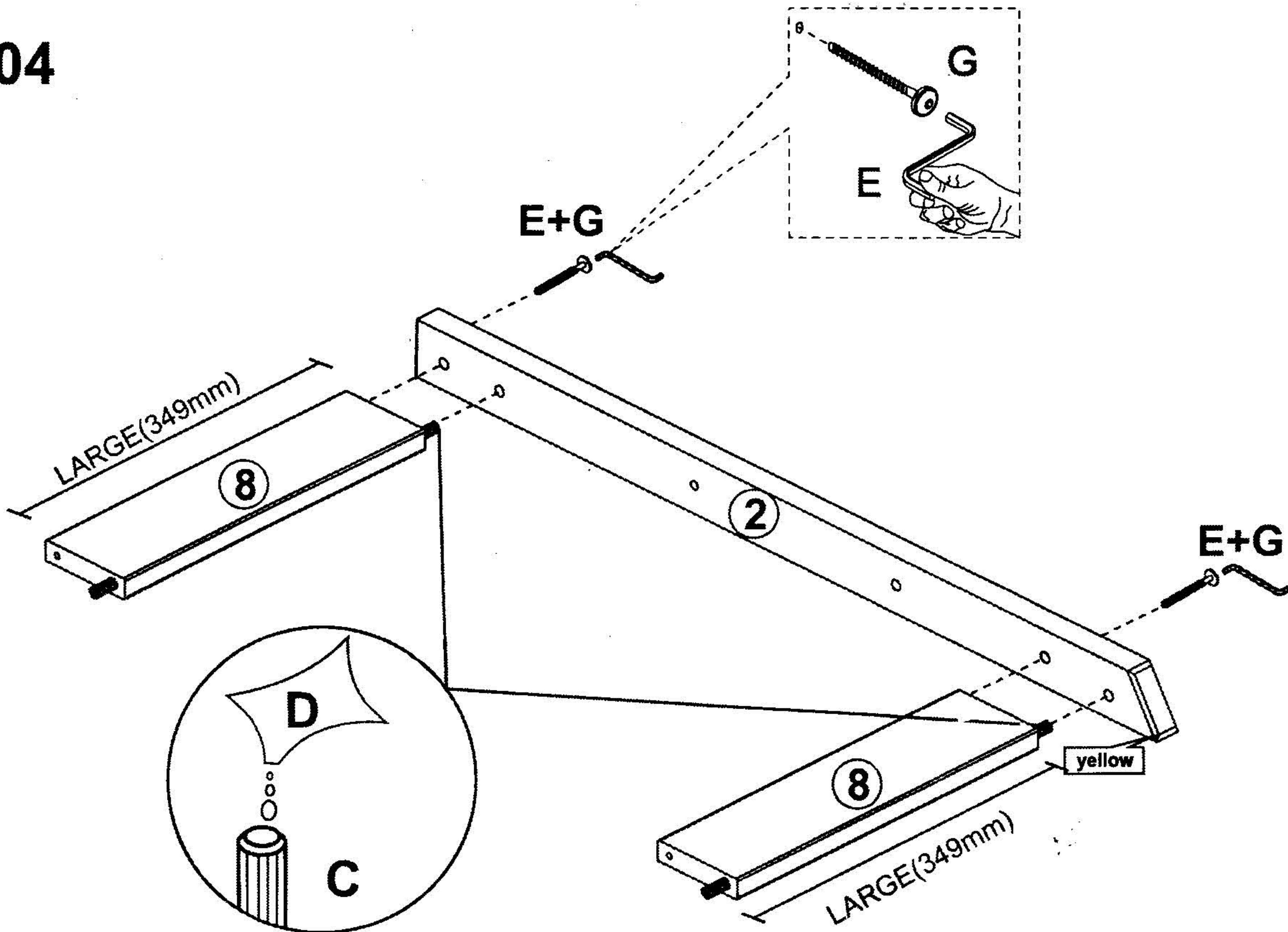
03



IMPORTANT
Please note: Do Not
over tighten 'Bolt A'

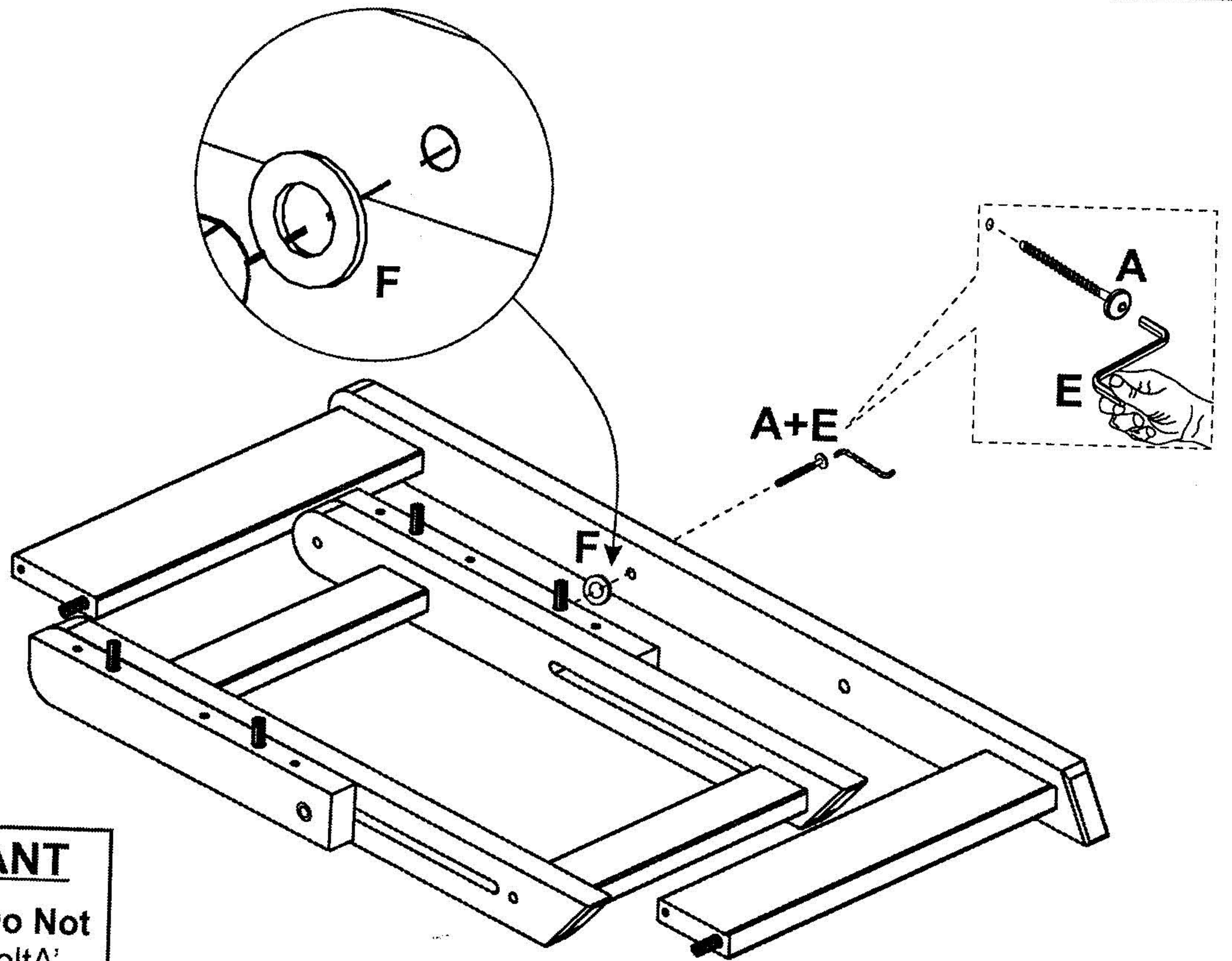
A   02 Ø 1/4 x 40 Screw	E  01	F  02
--	---	--

04

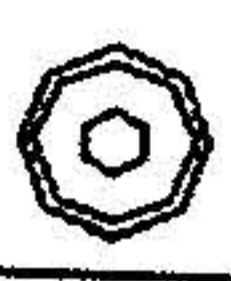
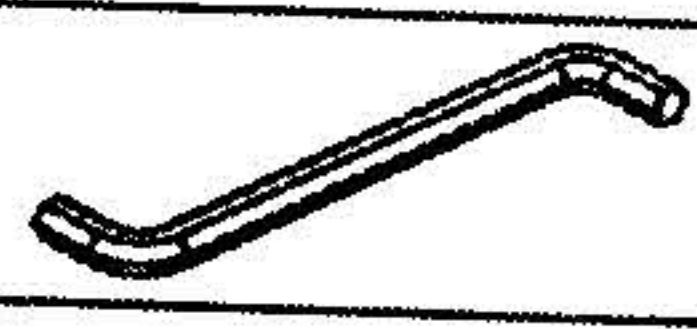
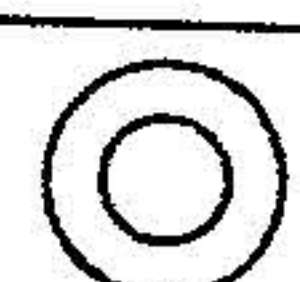


E  01	G  02 Ø 7,0 x 70 screw	D  GLUE 01
--	---	---

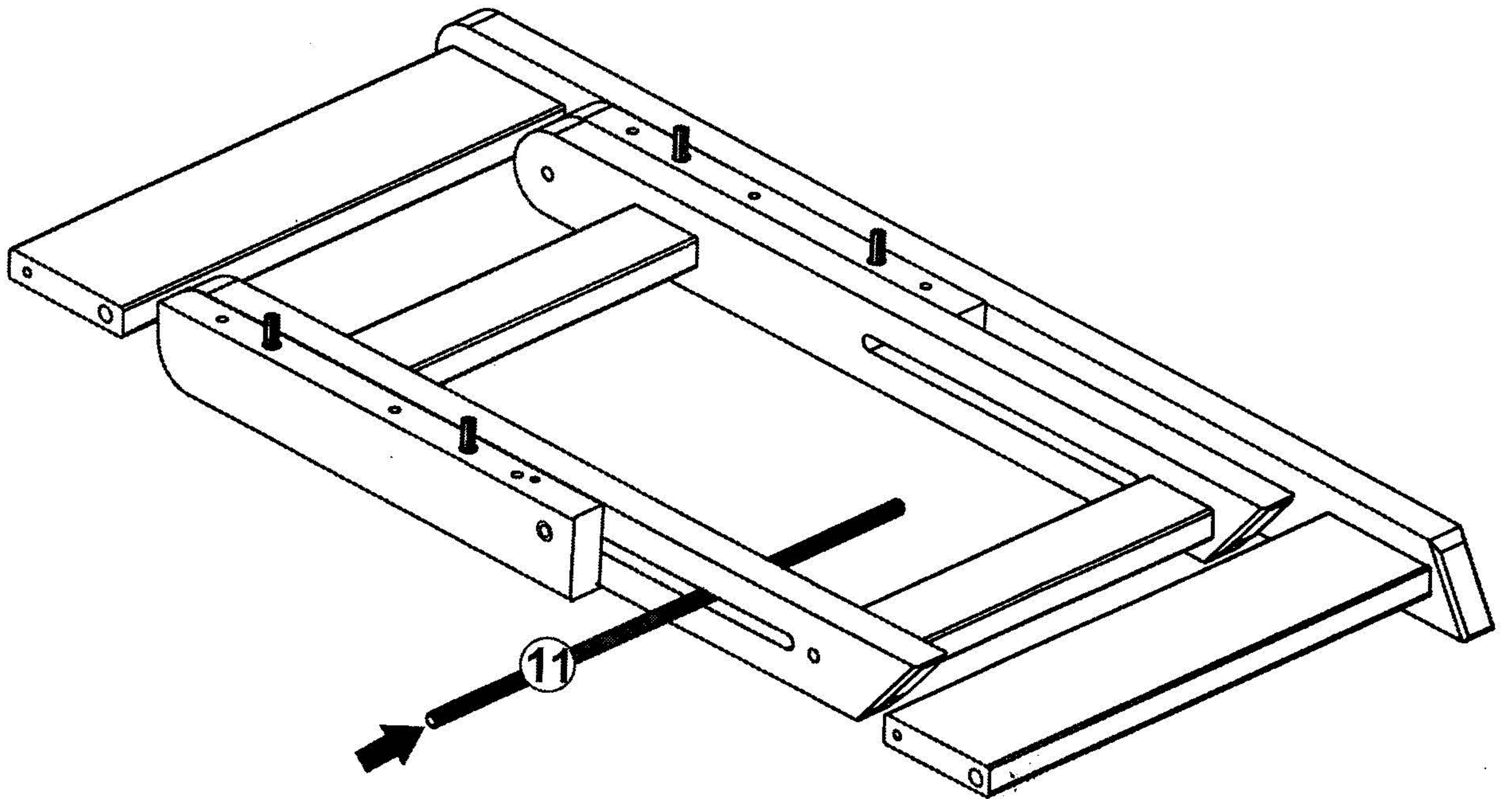
05



IMPORTANT
Please note: Do Not
over tighten 'Bolt A'

A  01 Ø 1/4 x 40 Screw	E  01	F  01
--	--	--

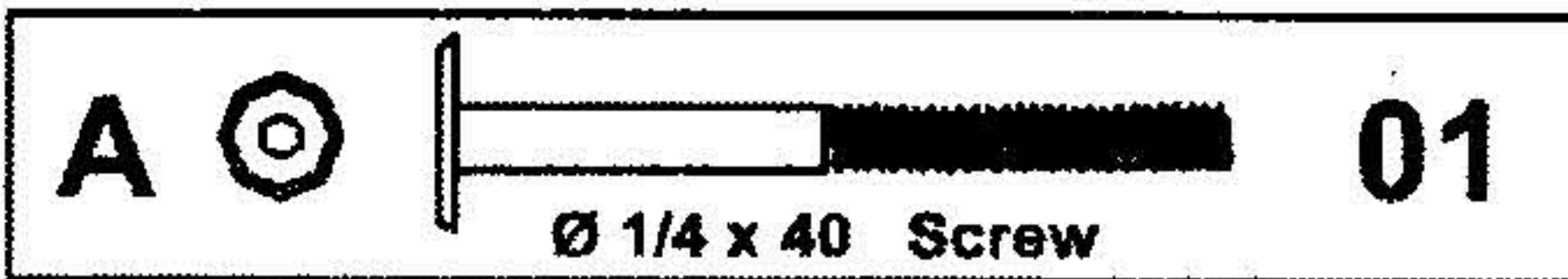
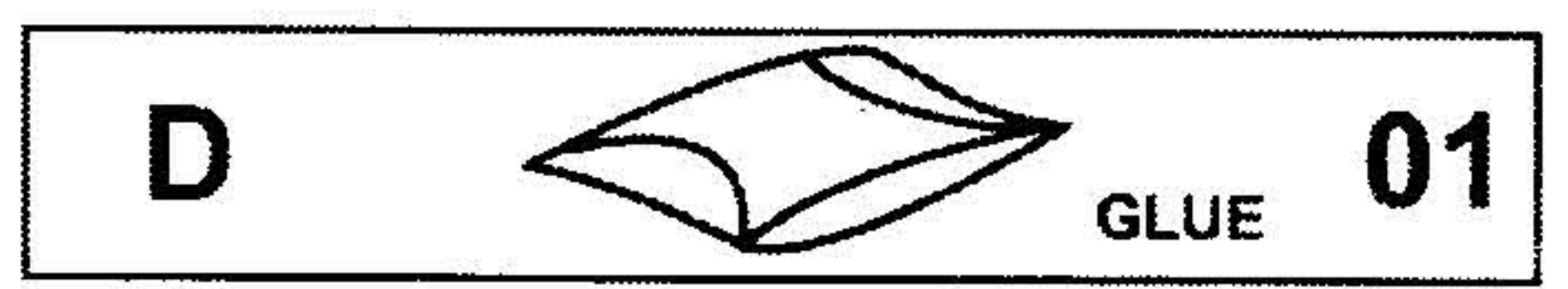
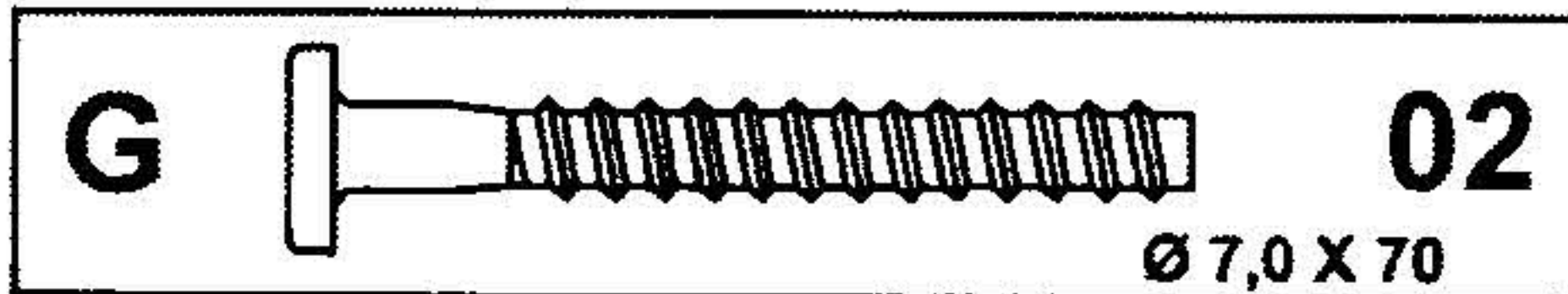
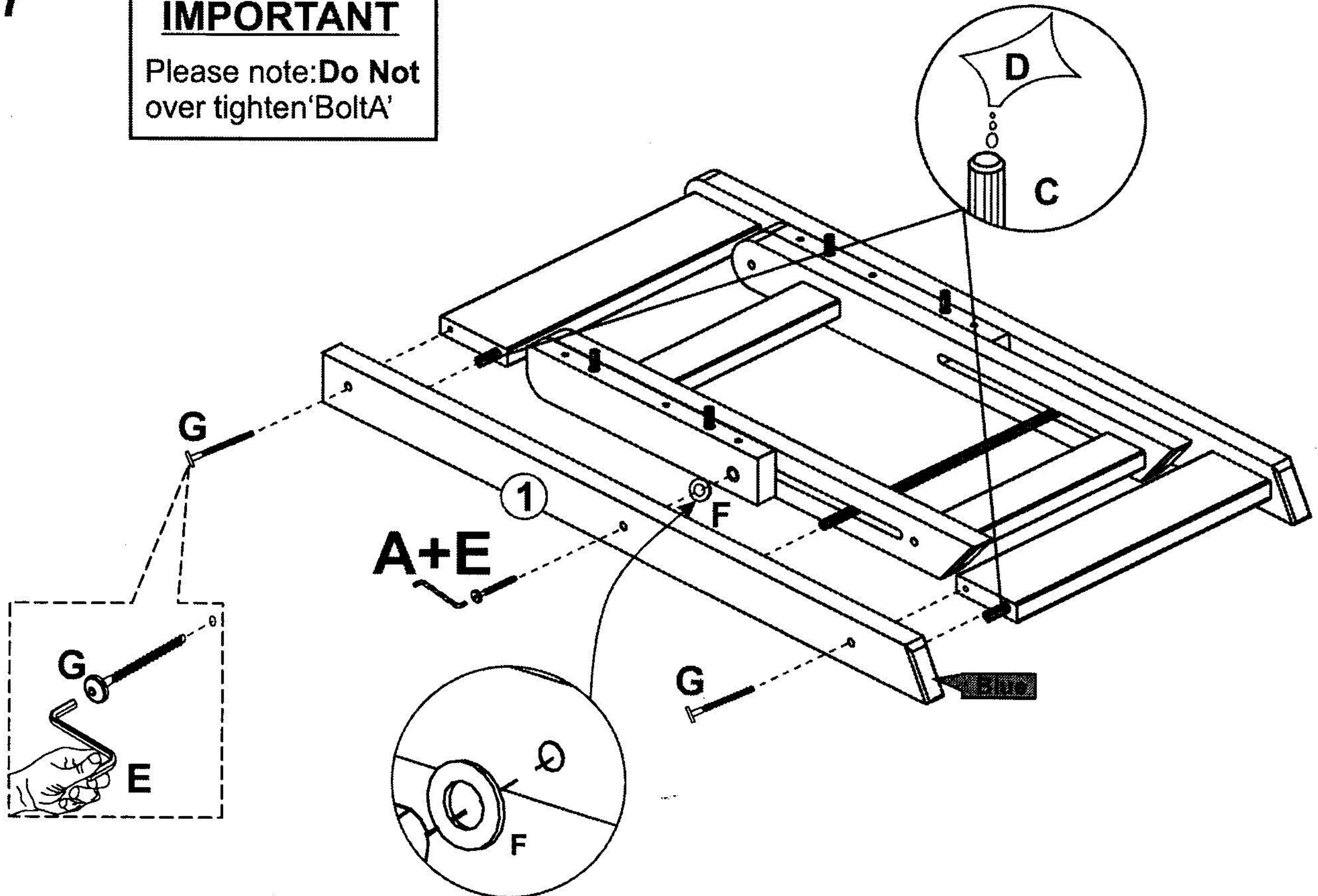
06



07

IMPORTANT

Please note: Do Not over tighten 'Bolt A'



08

