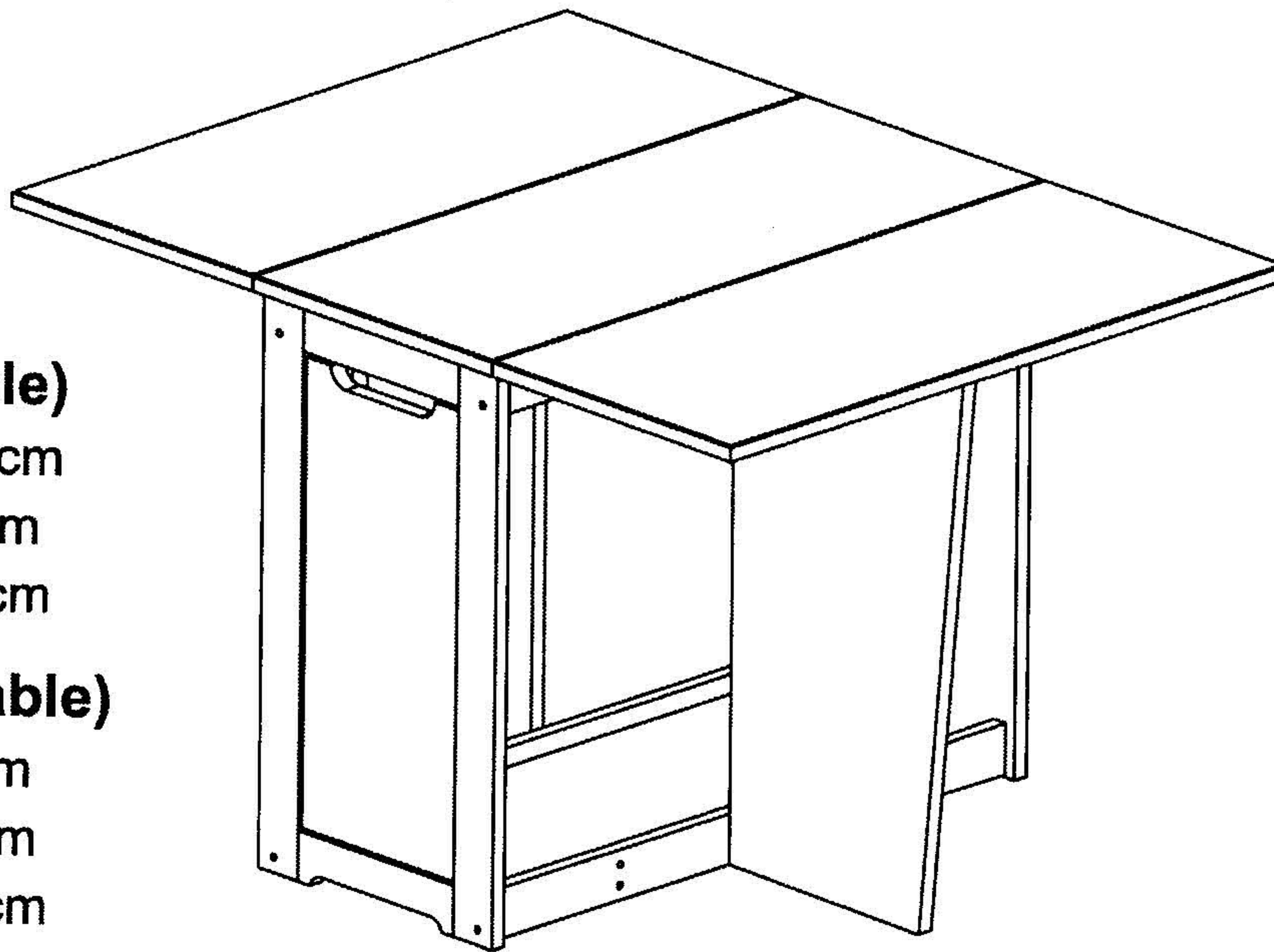


CORONA BUTTERFLY DINING SET



(Open Table)

Width = 122cm

Depth = 92cm

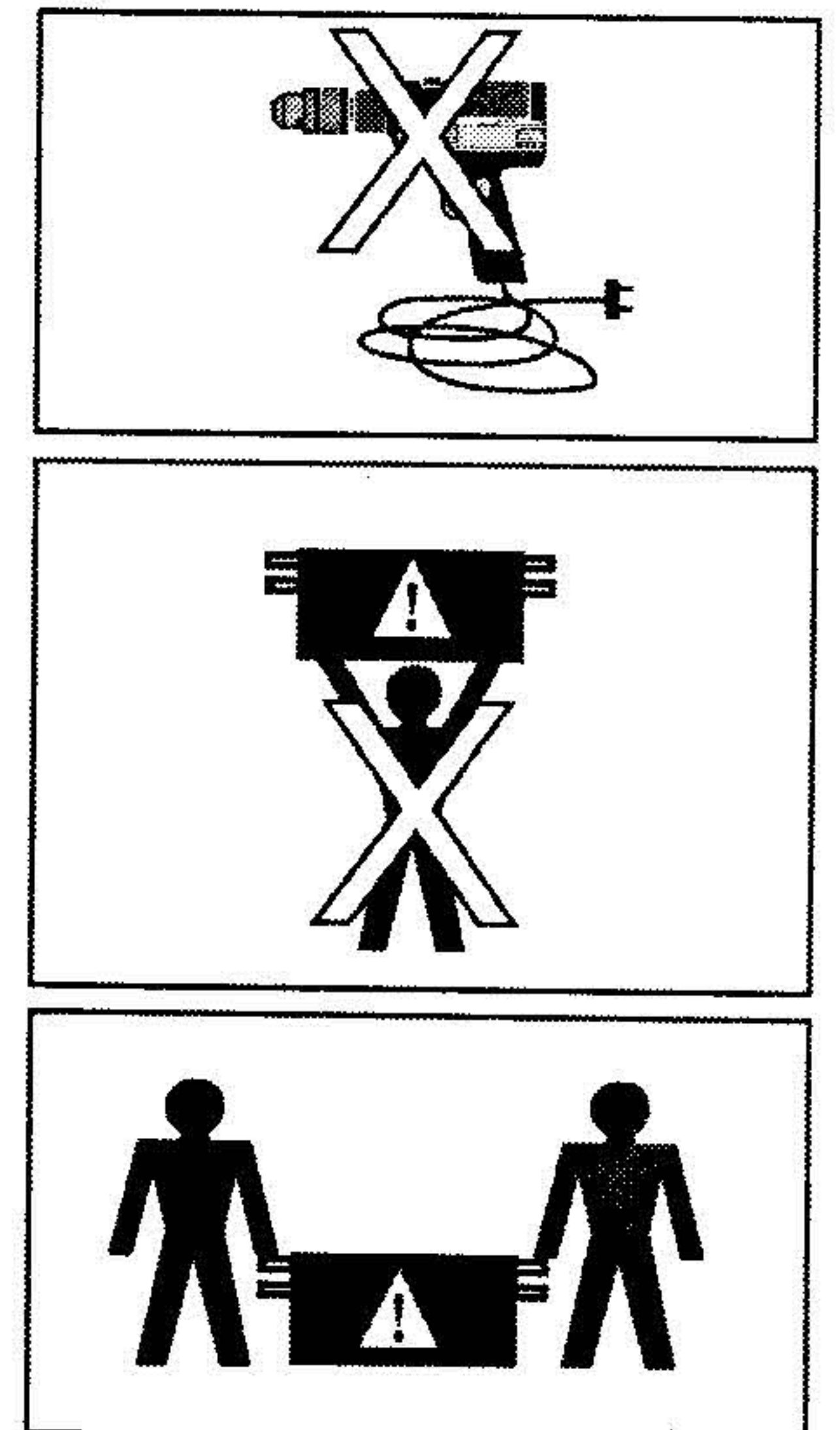
Height = 76cm

(Closed Table)

Width = 41cm

Depth = 92cm

Height = 76cm



READ AND KEEP SAFE

CARE AND MAINTENANCE OF CORONA RANGE

To enjoy your new furniture for many years to come please follow our advice on how to look after it.

Do's and Don'ts.

Do not place this product next to a radiator or in direct sunlight. Wood is a natural product and will expand if subjected to damp and will shrink and may crack if subjected to heat. This product is made of pine, which is a timber that is common for furniture, but susceptible to temperature changes. With pine furniture it is recommended that an even room temperature be maintained with no sudden temperature fluctuations, up or down.

Do not place HOT or CHILLED items directly on to the surface, use a place mat or marking will occur.

For general cleaning use a duster or damp cloth (ALMOST DRY) not wet.

Do not use soap and water or detergents of any kind on this product for cleaning. To maintain the characteristic finish on this furniture, do not use aerosol sprays or any polish a natural stain and finish on this furniture and will react to most manmade products.

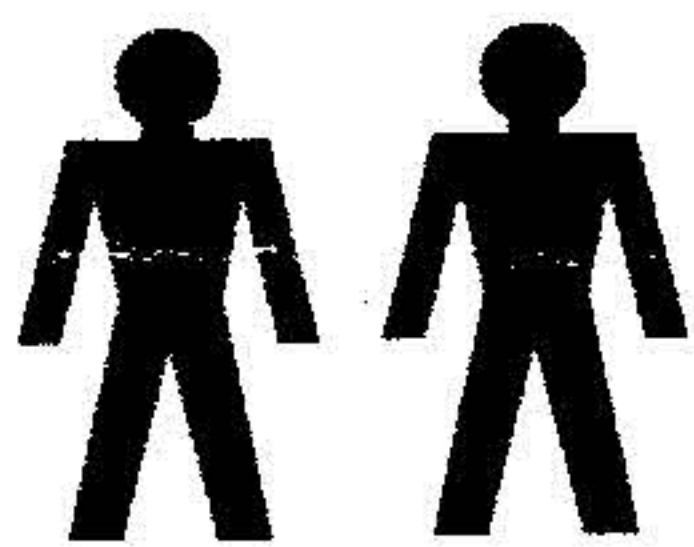
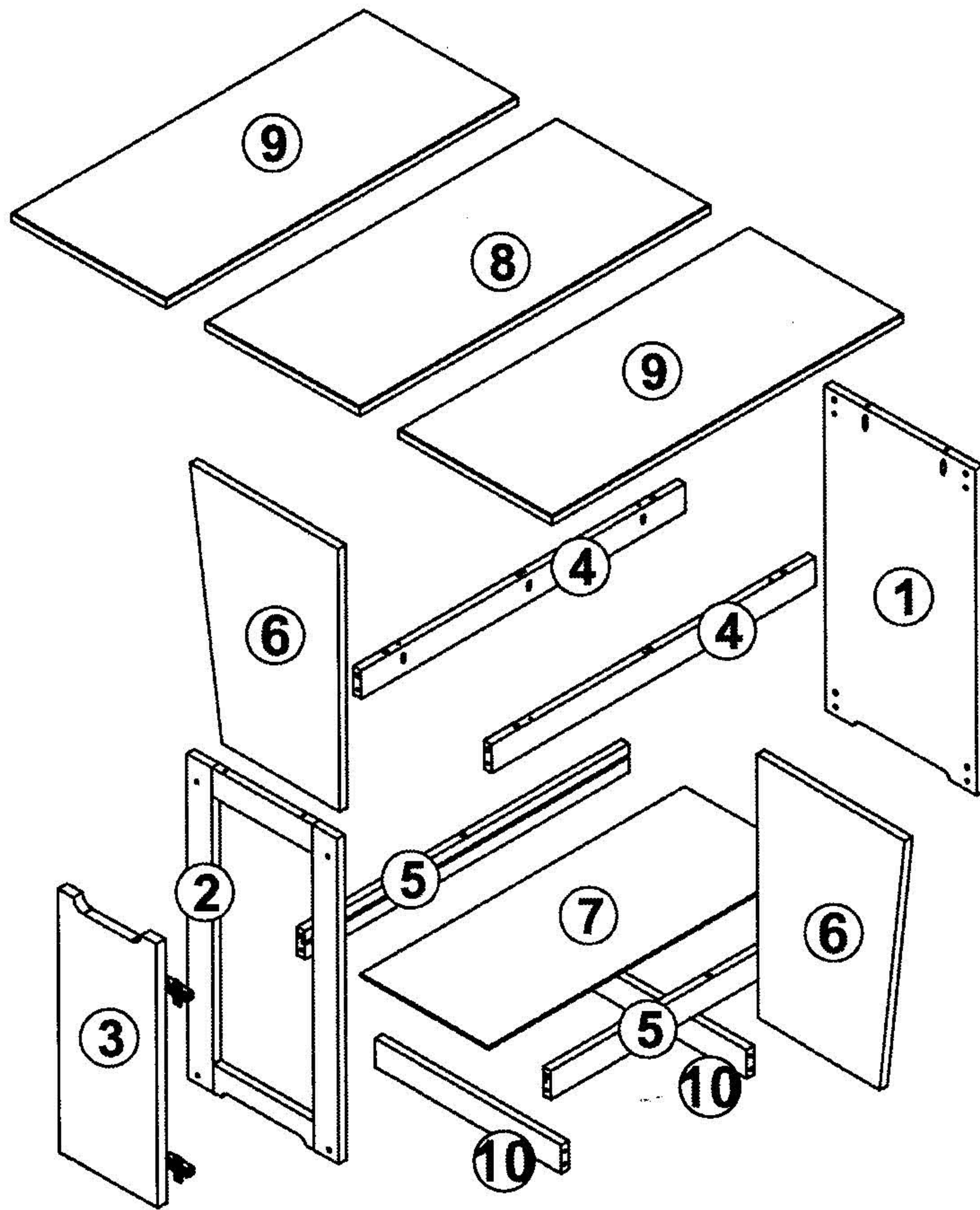
It will from time to time require the surface re-treating again to maintain its character. You can easily do this yourself using block wax (unperfumed), rubbing it over whole item, following the manufactures instruction.

After treating your furniture, you may notice it is slightly more wax than previously. This is normal because wood is a natural product that breathers and absorbs depending on room temperature.

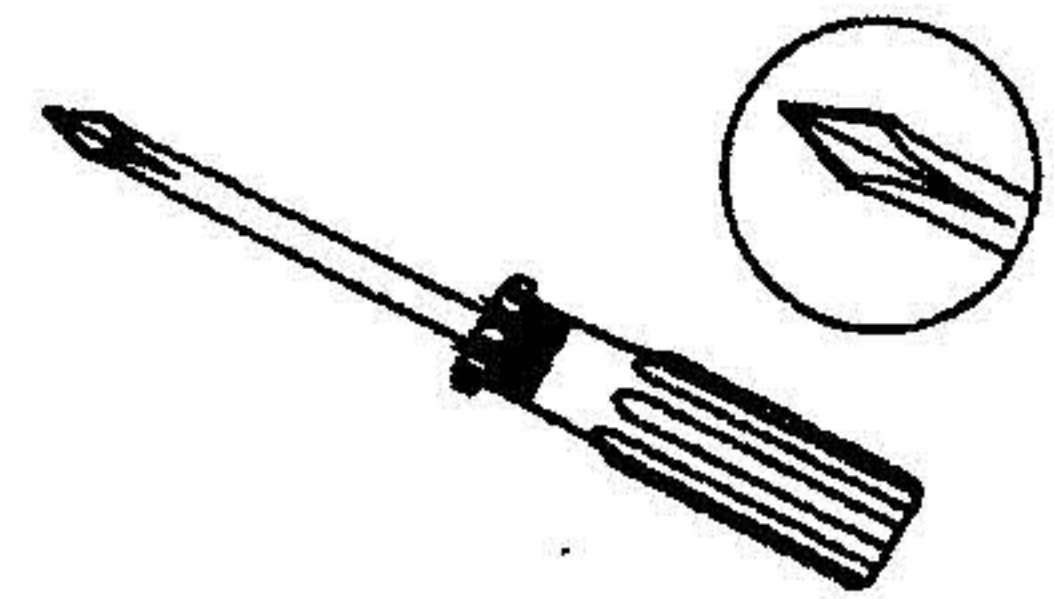
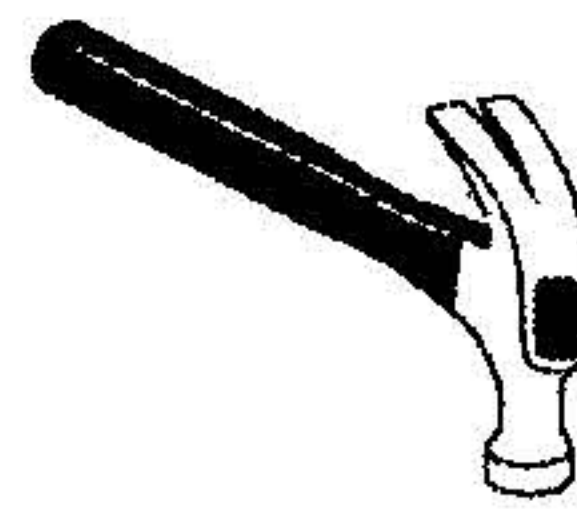
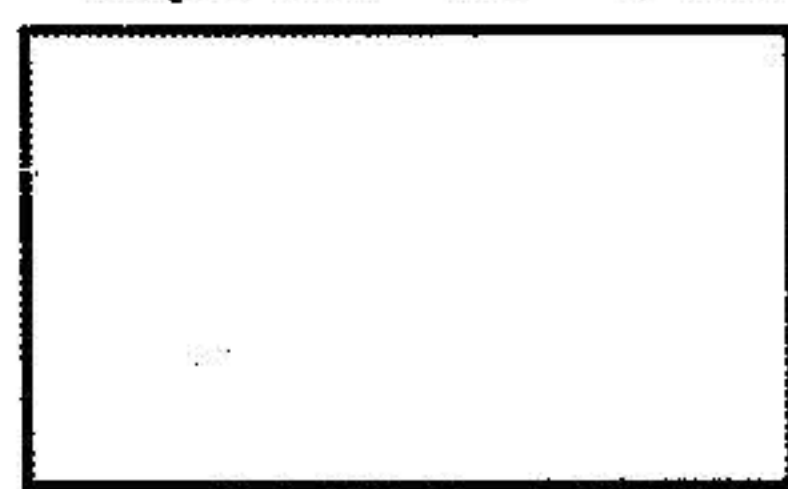
The use of any cleaning materials other than those recommended could damage the surface and will invalidate any claim.

From time to time it may be necessary to tighten fittings. This is normal and regular inspections should be carried out.

Do not place furniture into a wet or damp floor as staining may occur to your floor.







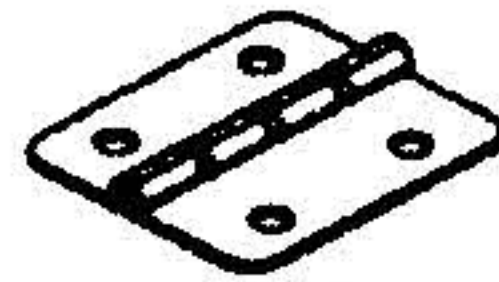

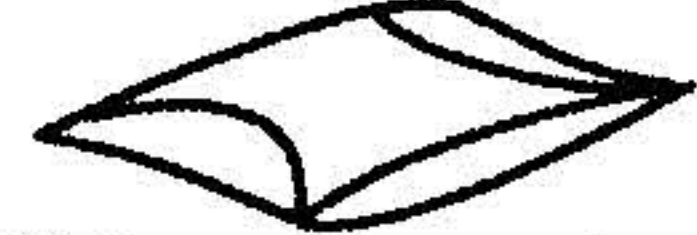


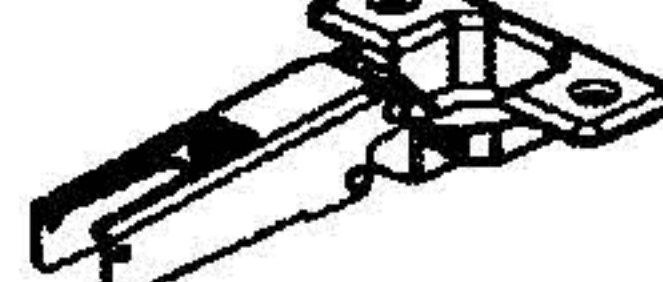
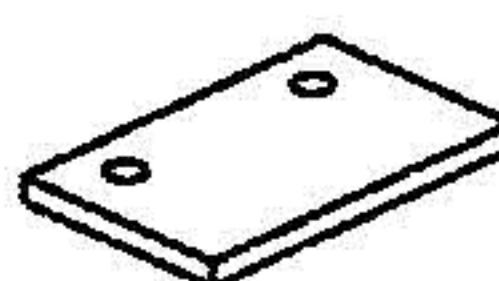
2,5m x 3m



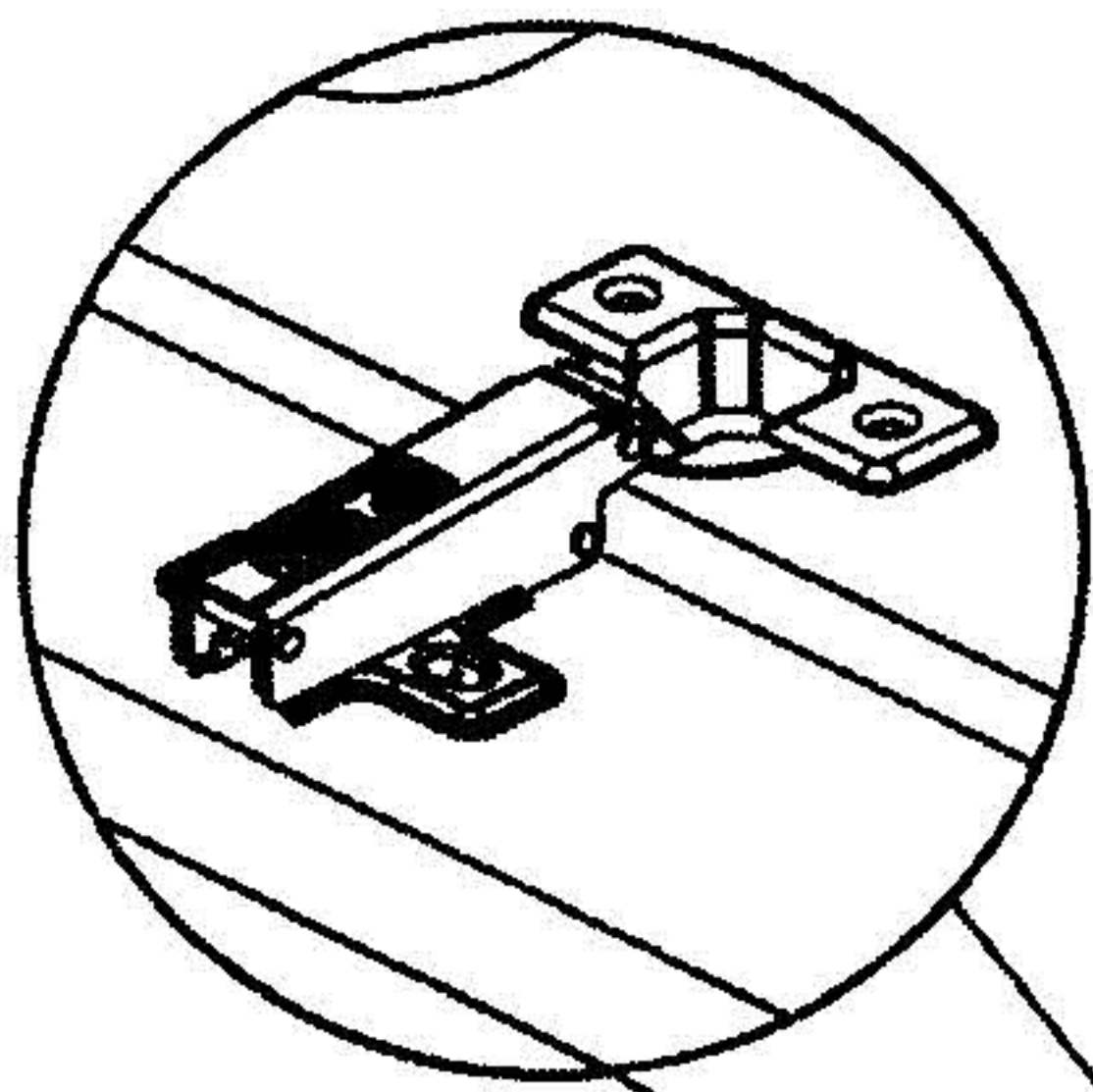
PARTS LIST

Part number	Name of Part	Quantity
1	Back Panel	1
2	Front Frame	1
3	Door	1
4	Upper Frame	2
5	Lower CrossBeam	2
6	Top Support	2
7	Base	1
8	Centre Top Panel	1
9	Side Top Panel	2
10	Lower Cross	2

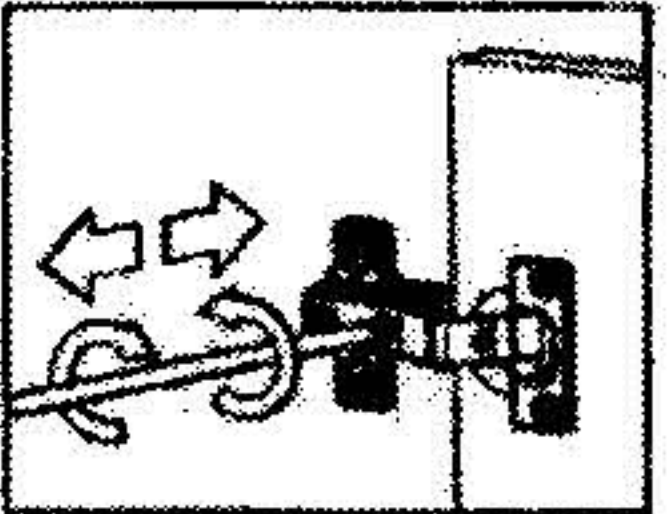
FITTINGS

A	 Ø7.0 x 50 Screw	08
B	 Ø4,0 x 35 Screw	10
C	 Ø8 x 30 Wood Dowel	14
D	 Ø4,0 x 14 Screw	42
E		08
F	 Ø4,0 x 50 Screw	08
G	 GLUE	01
H		01
I		02
J		02
K		01

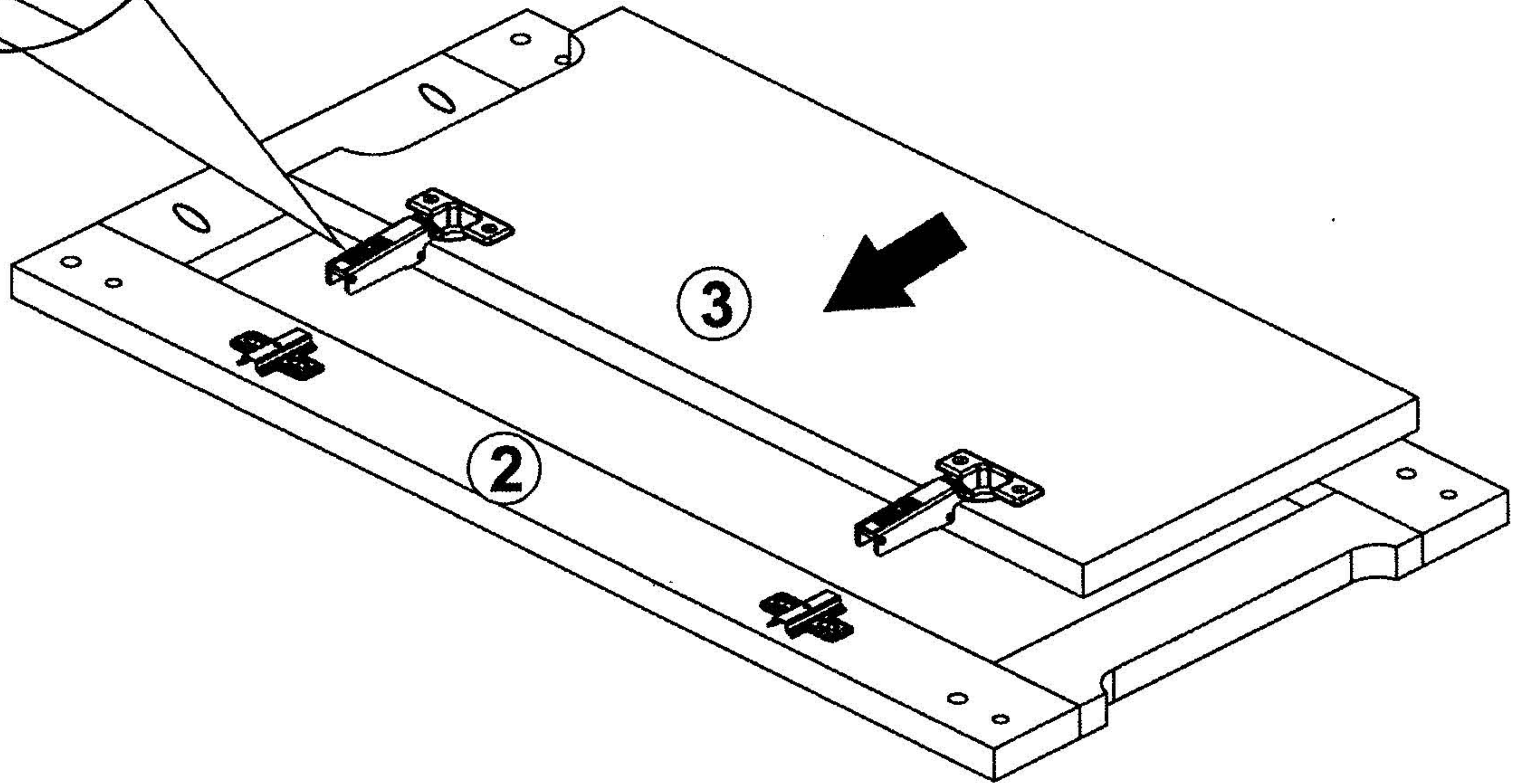
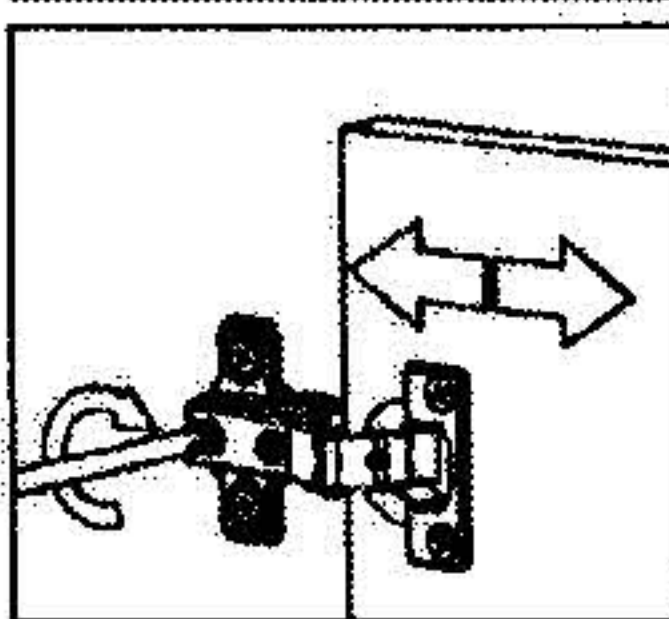
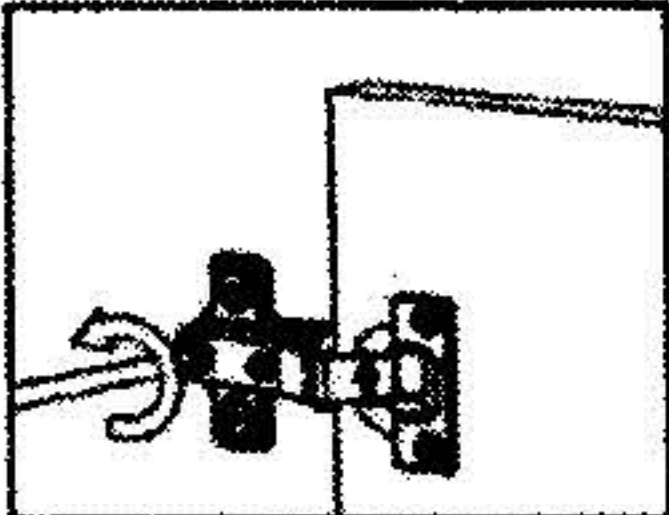
03



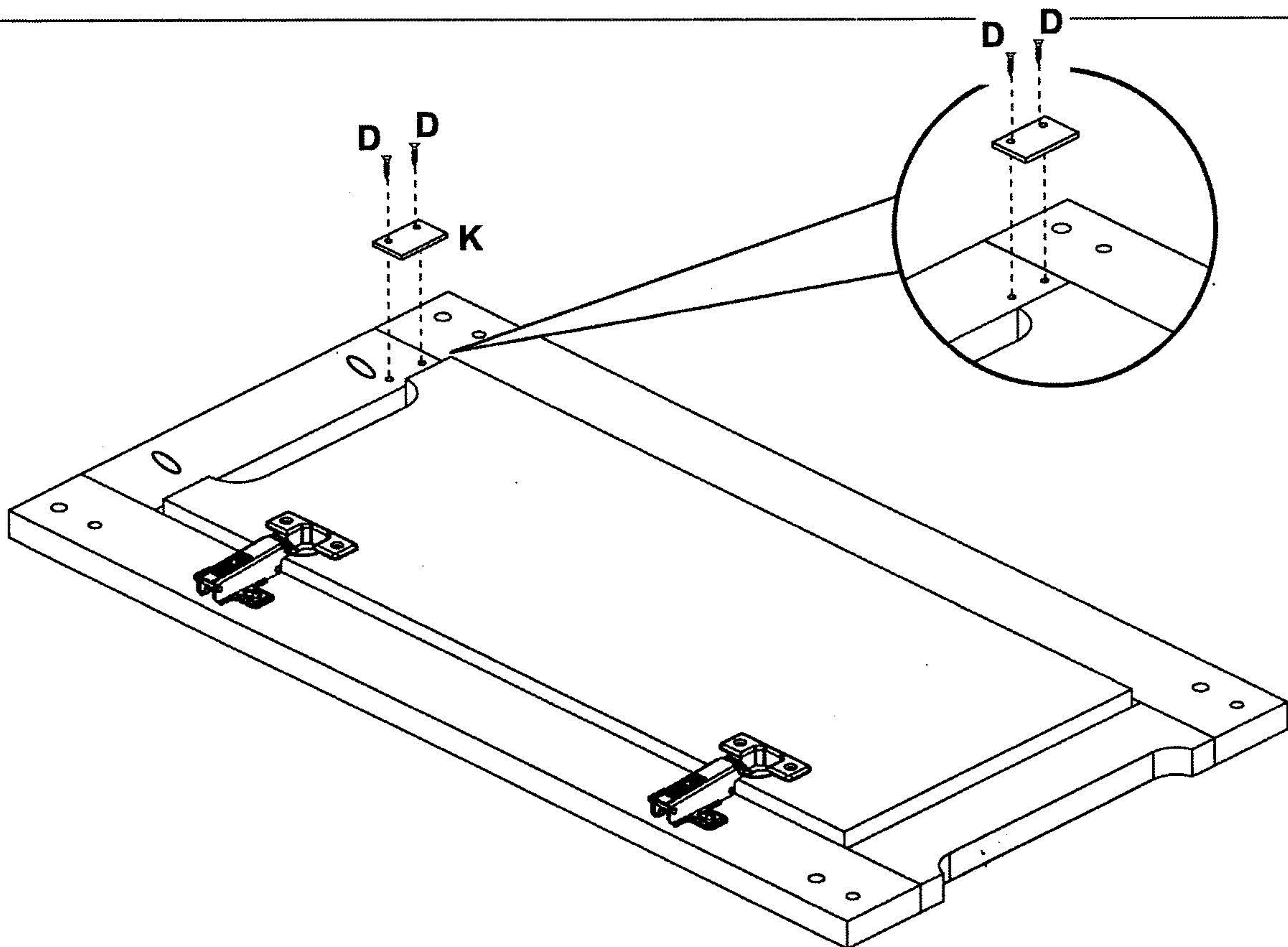
Internal Adjustment



Depth Adjustment



04



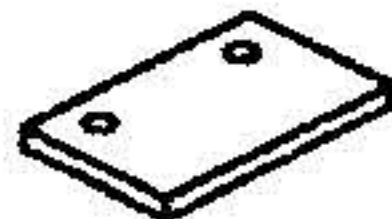
D



Ø4,0 x 14 Screw

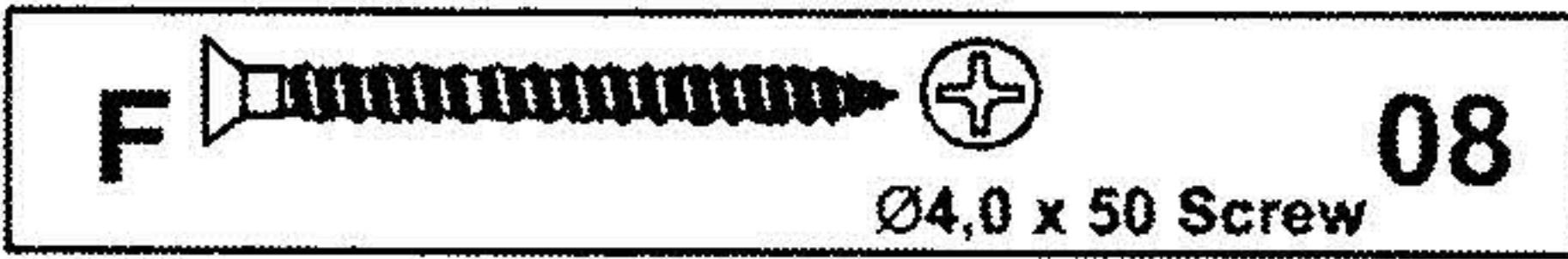
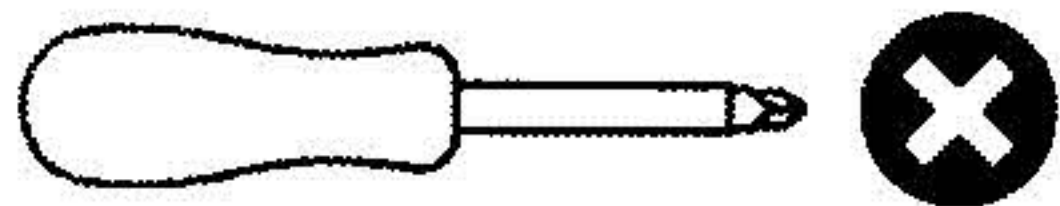
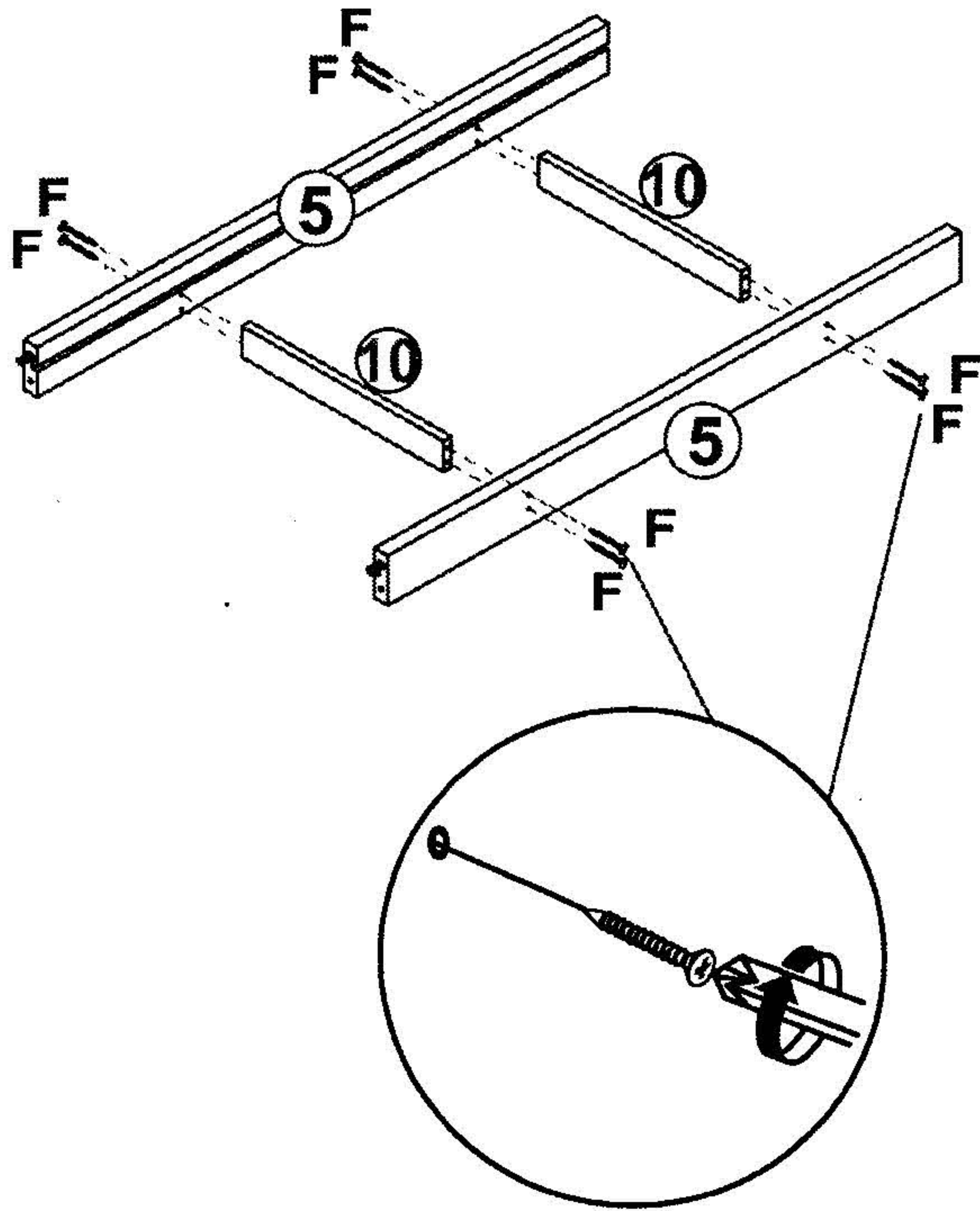
02

K

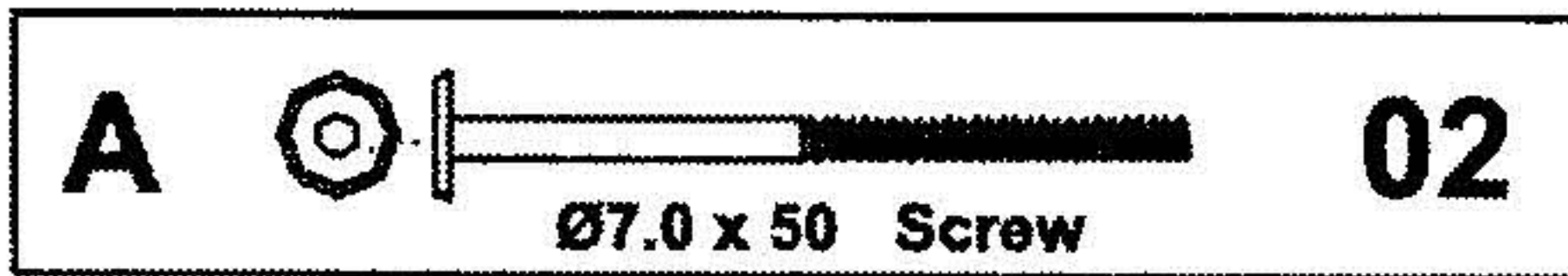
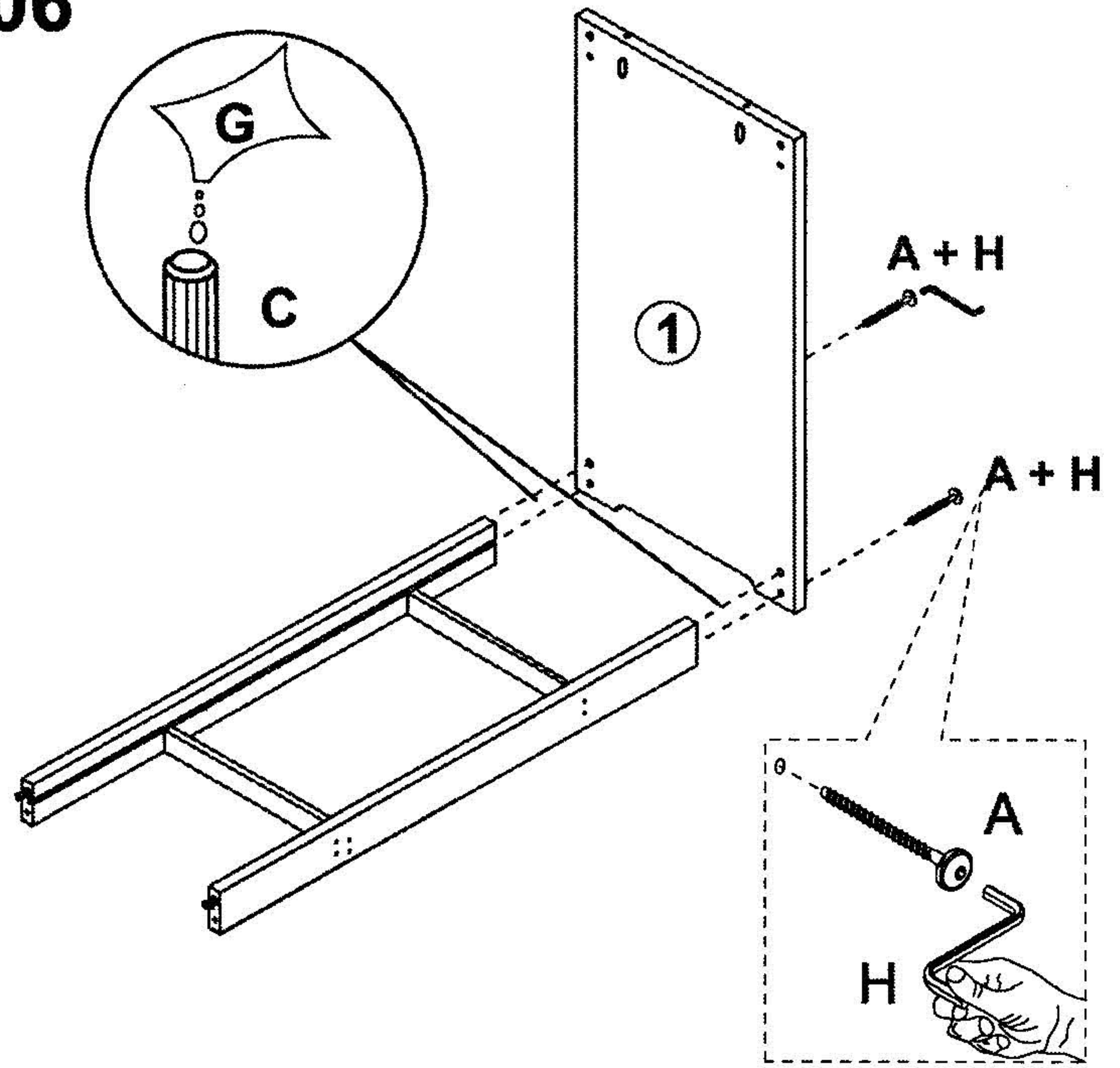


01

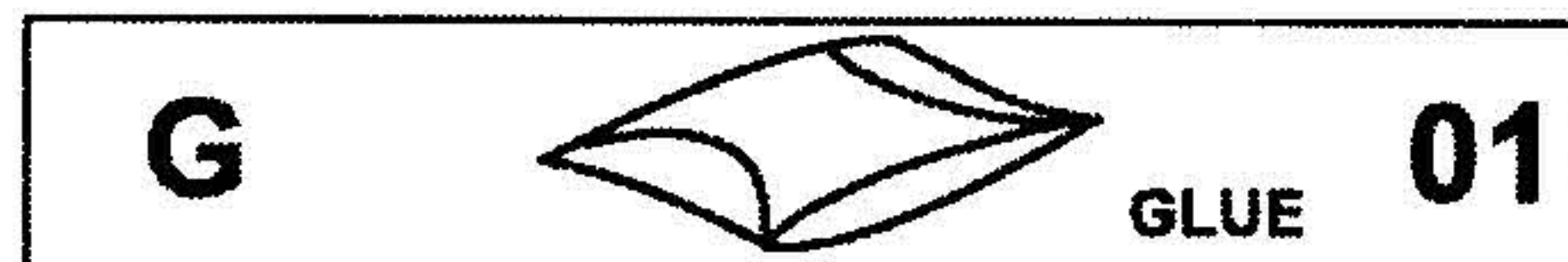
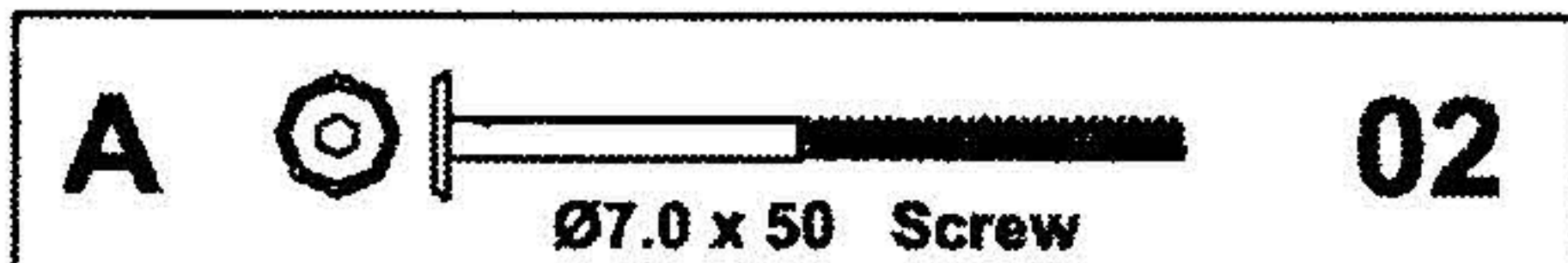
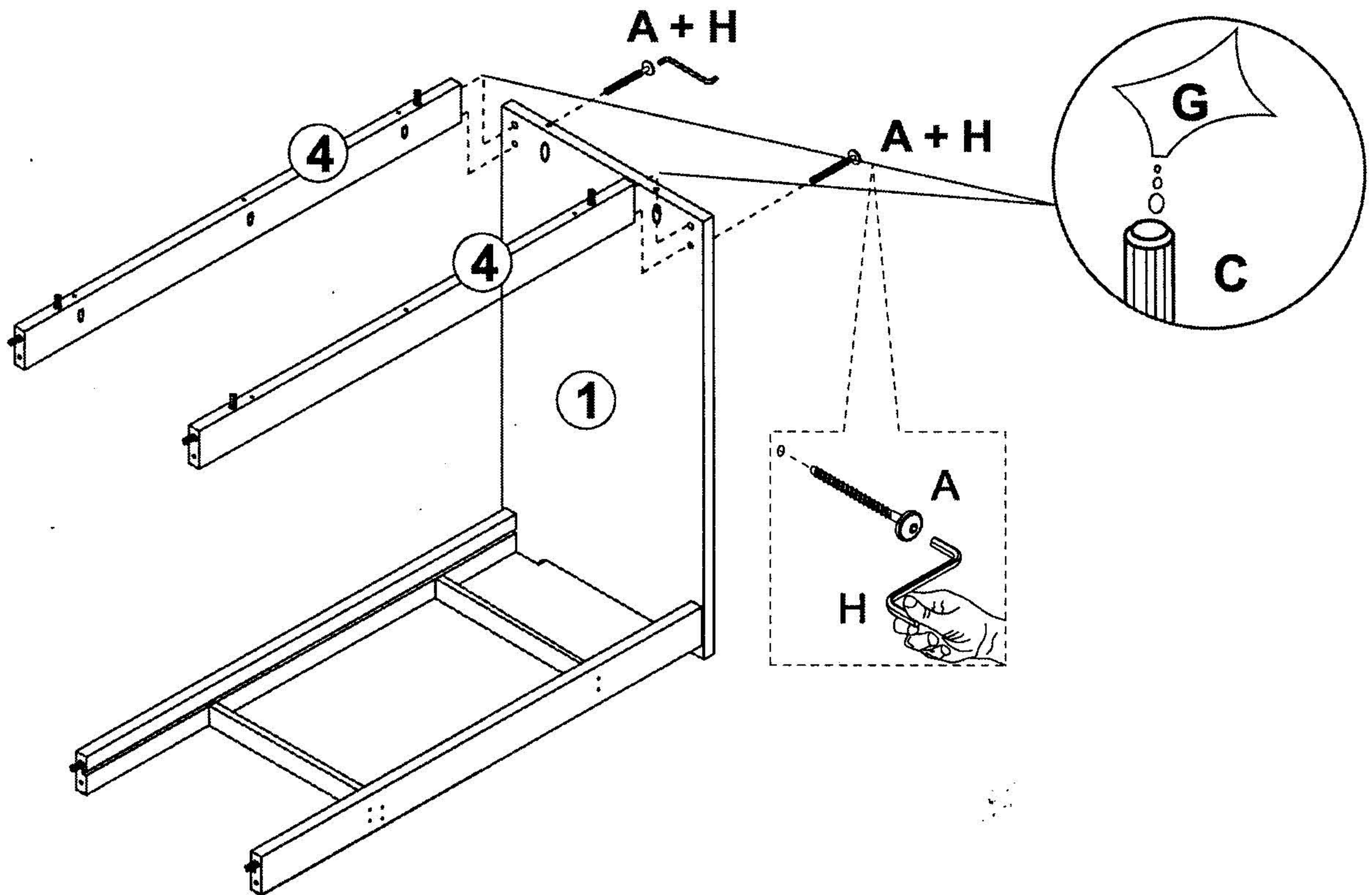
05



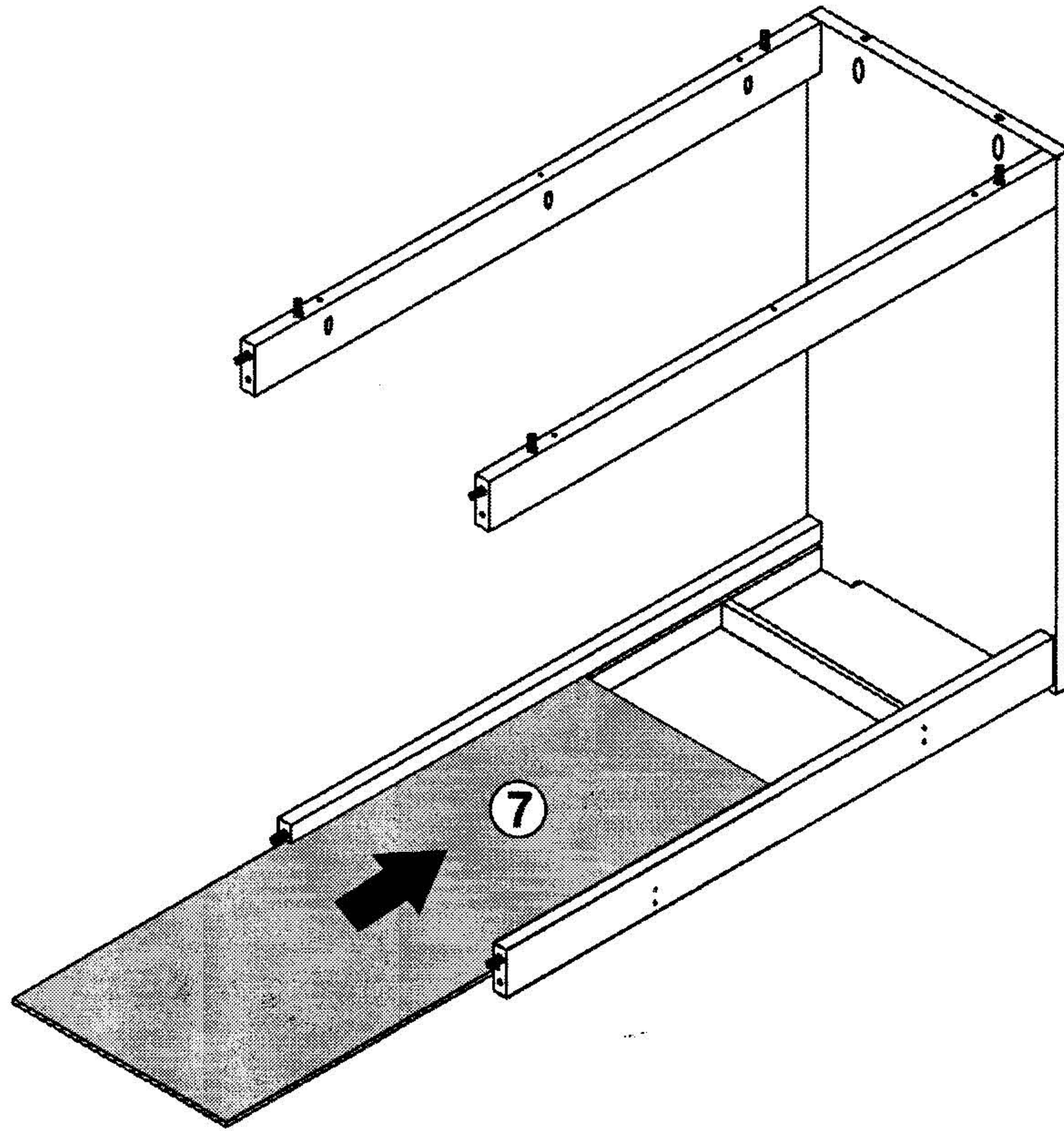
06



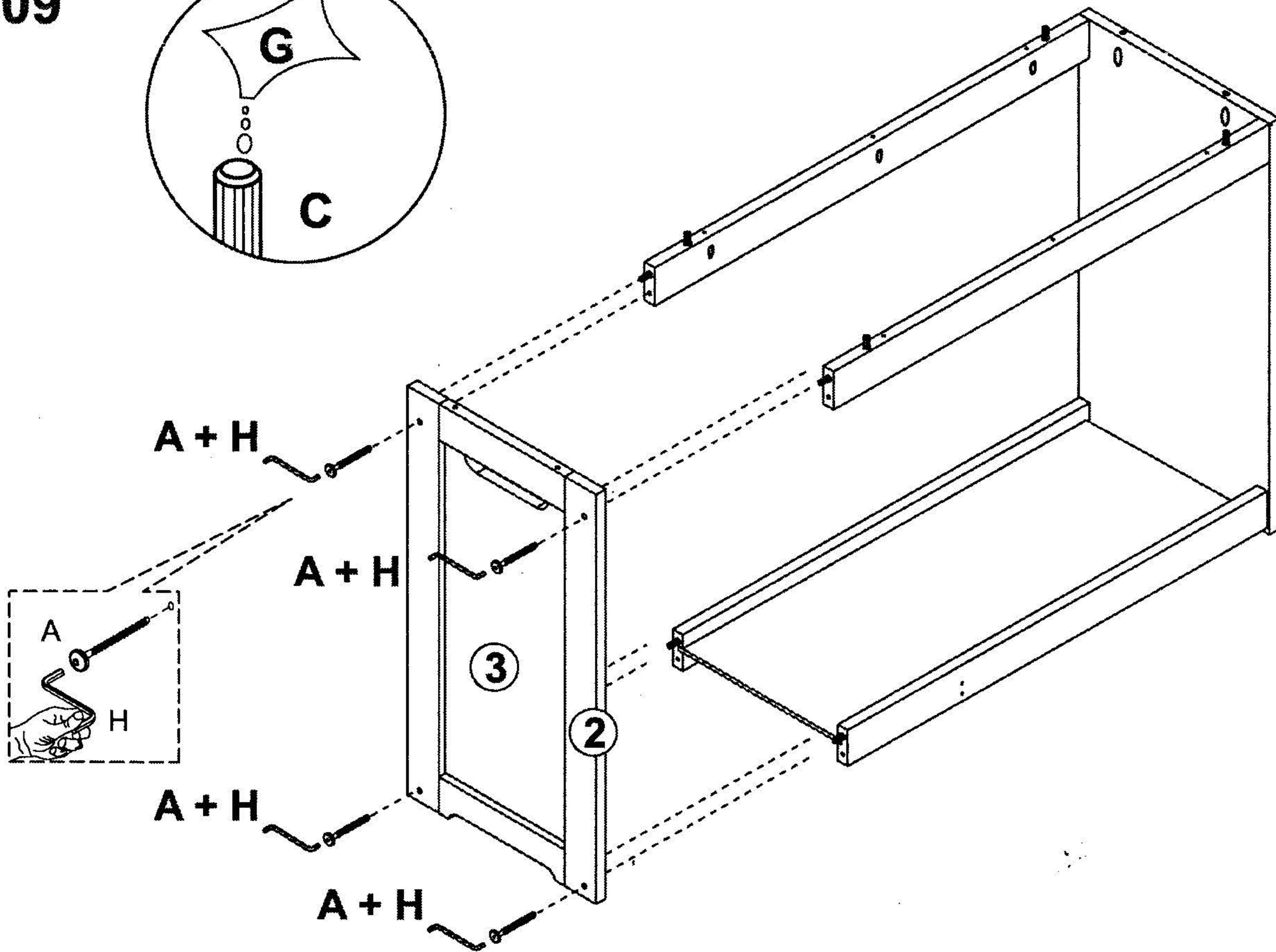
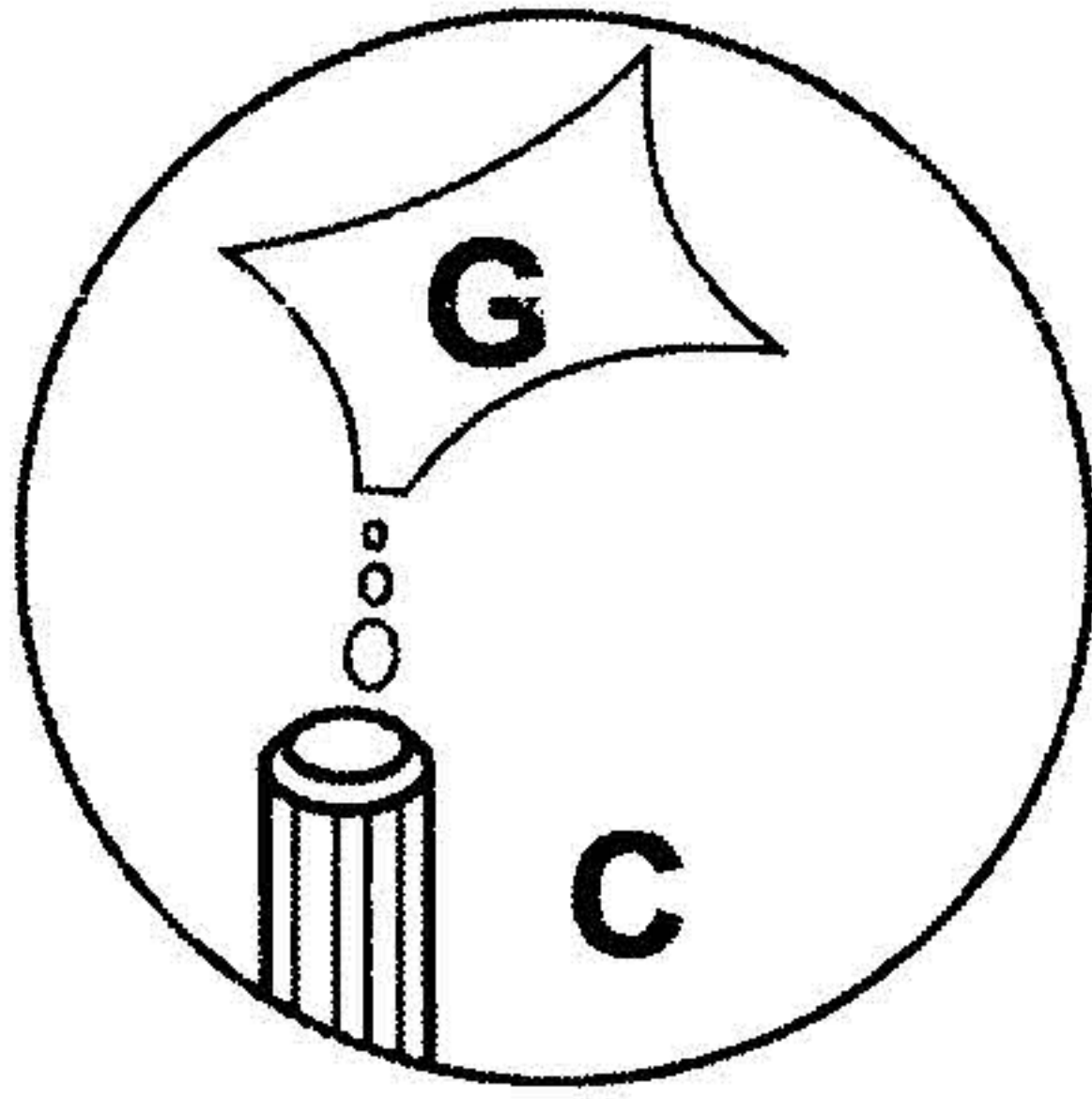
07






08

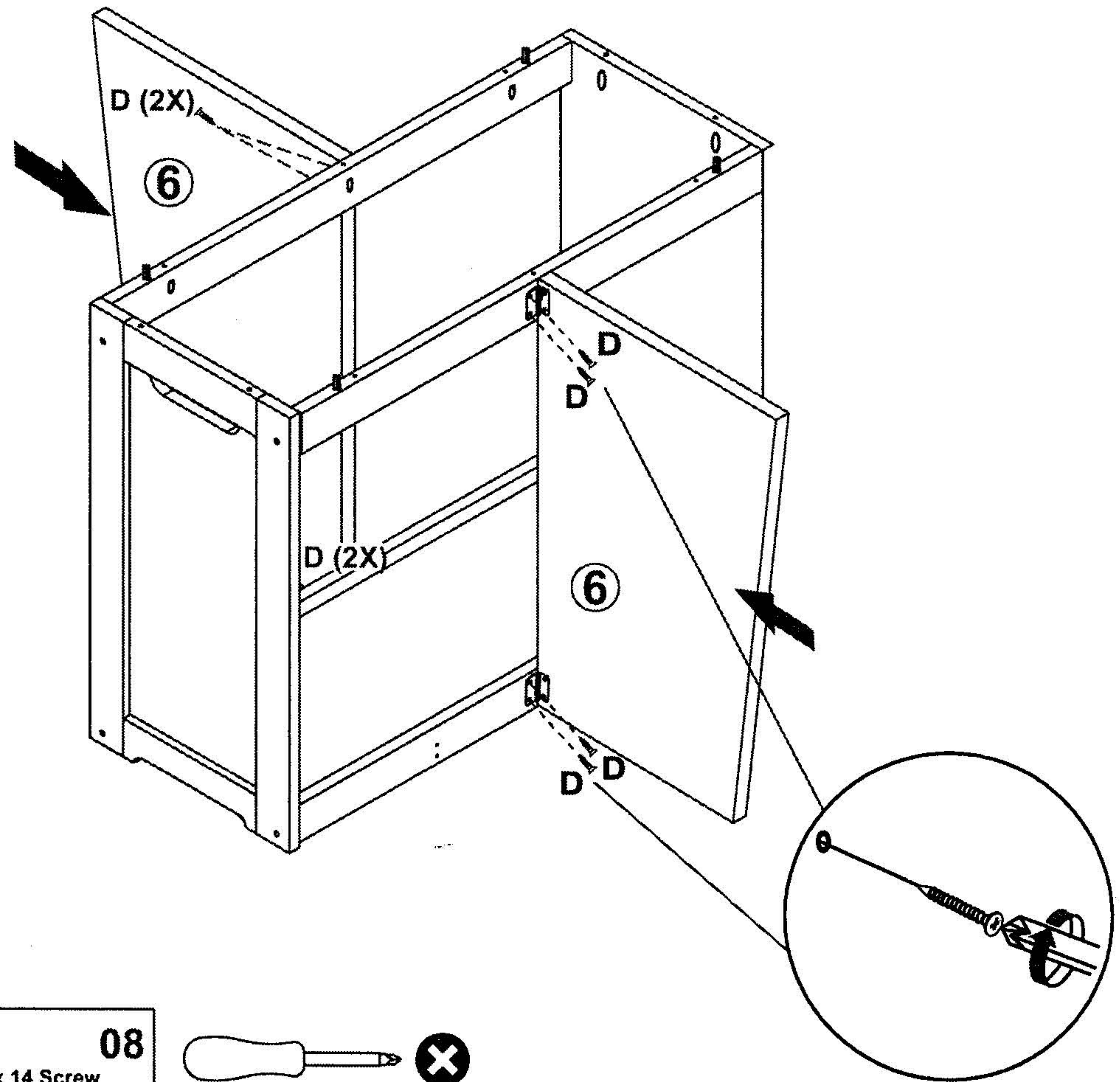


09

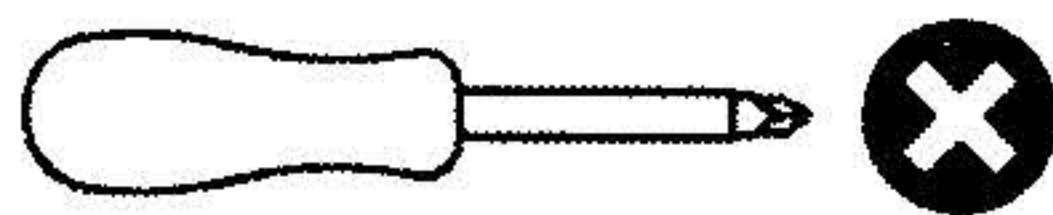


A  04 Ø7.0 x 50 Screw	G  01 GLUE	H  01
---	---	--

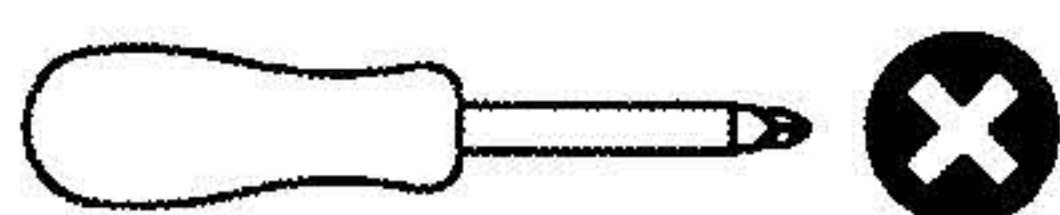
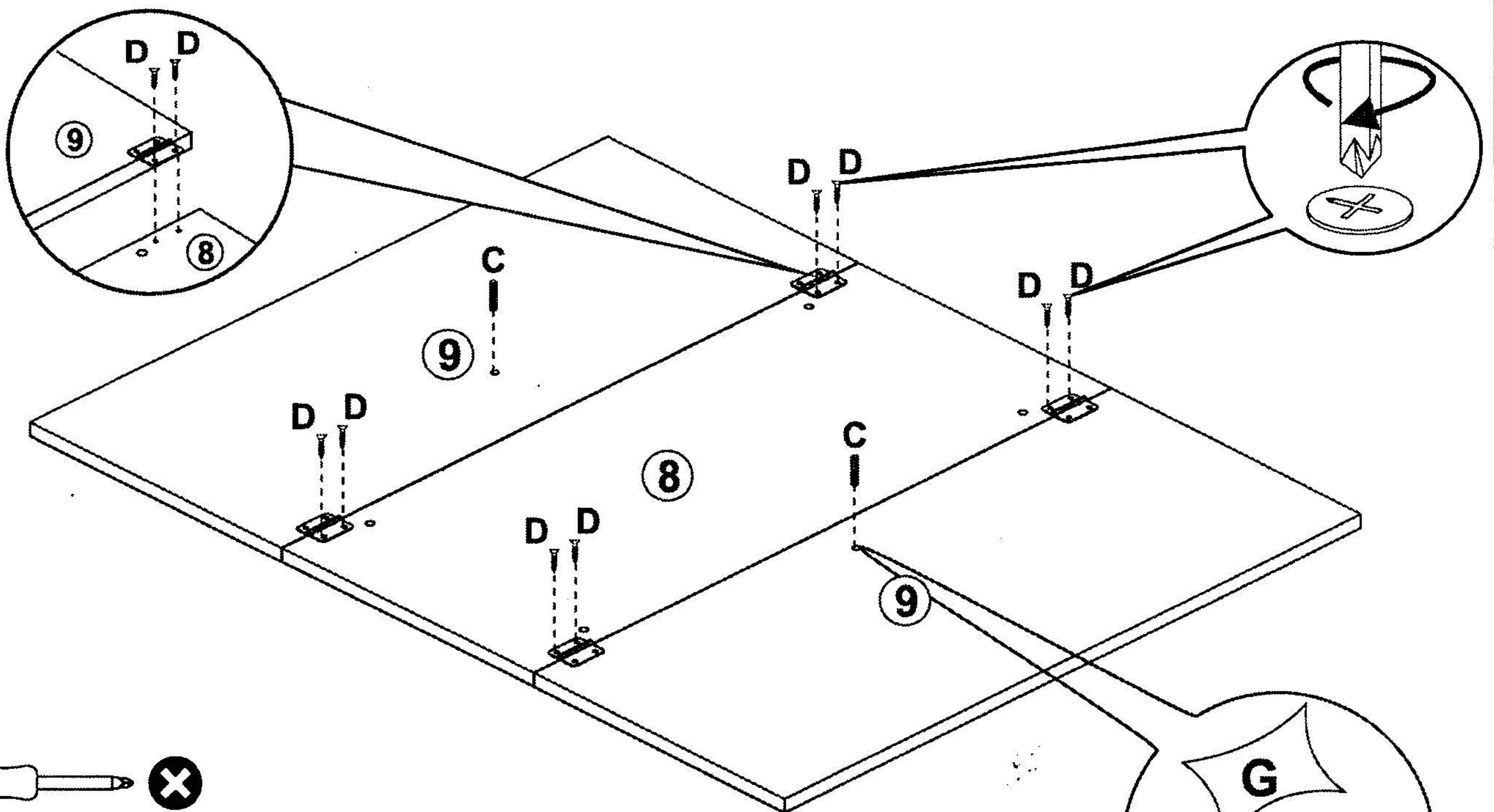
10

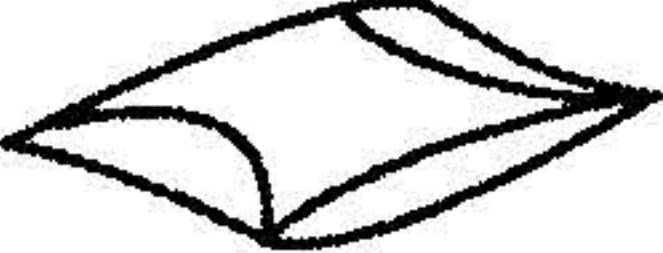



D  **08**
 Ø4,0 x 14 Screw

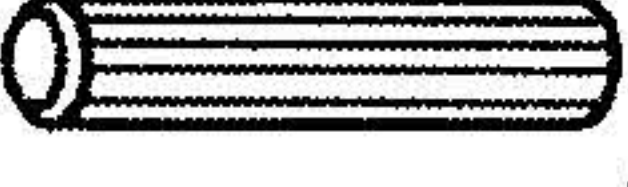


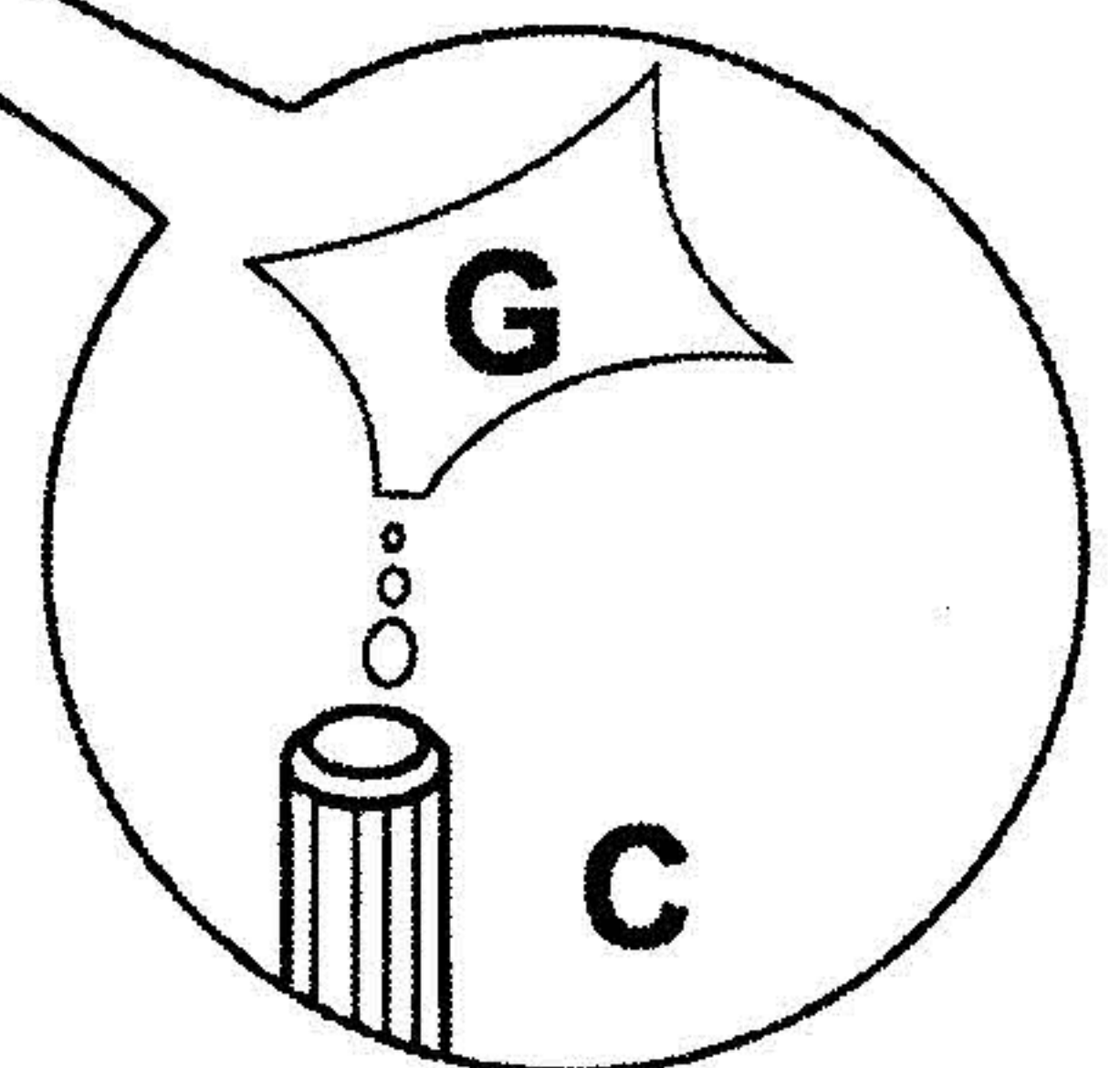
11



G  **01**
 GLUE

D  **08**
 Ø4,0 x 14 Screw

C  **02**
 Ø8 x 30 Wood Dowel



12

