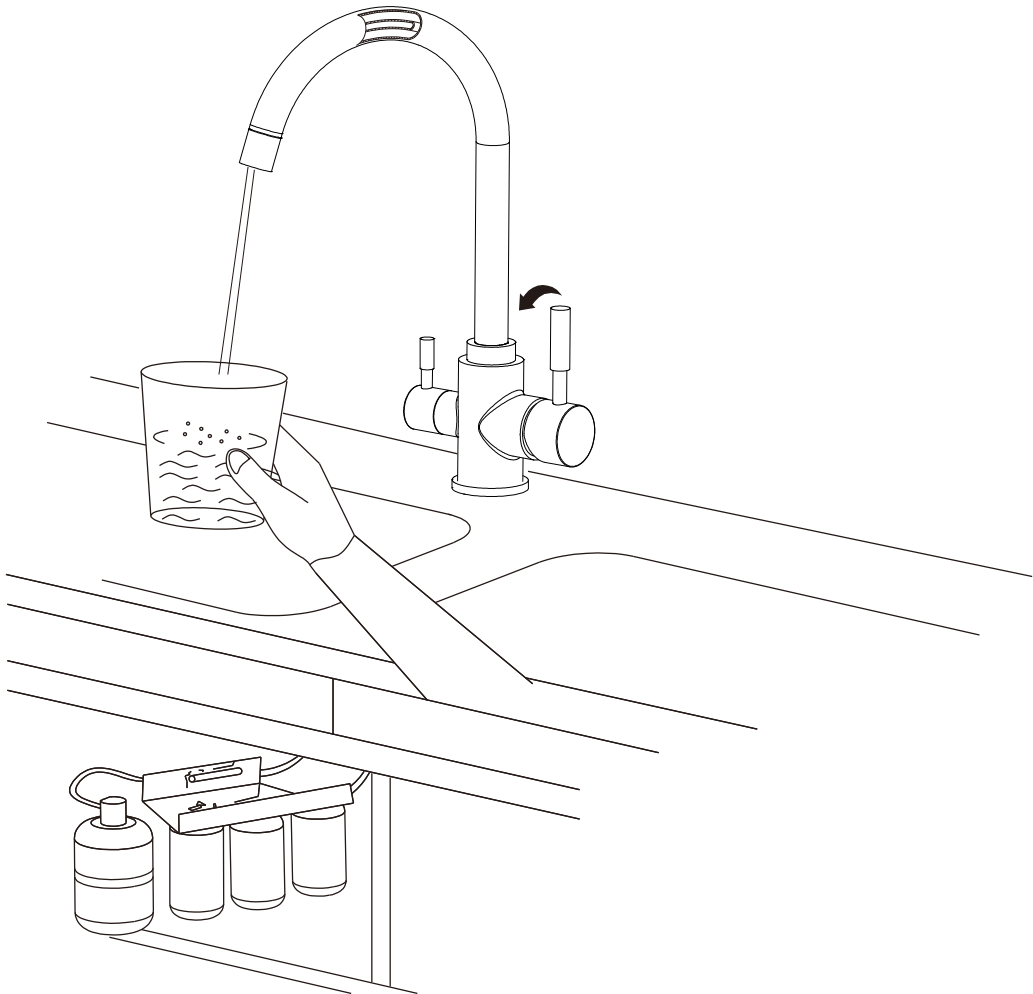




Hommix Pisa 3-Way Tap



Installation Instructions

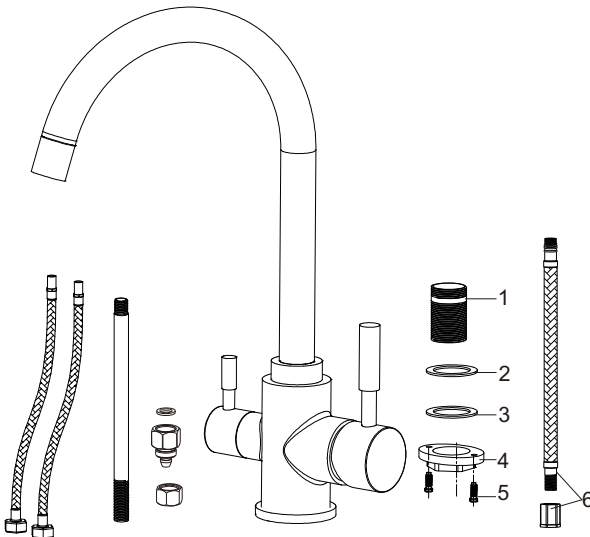
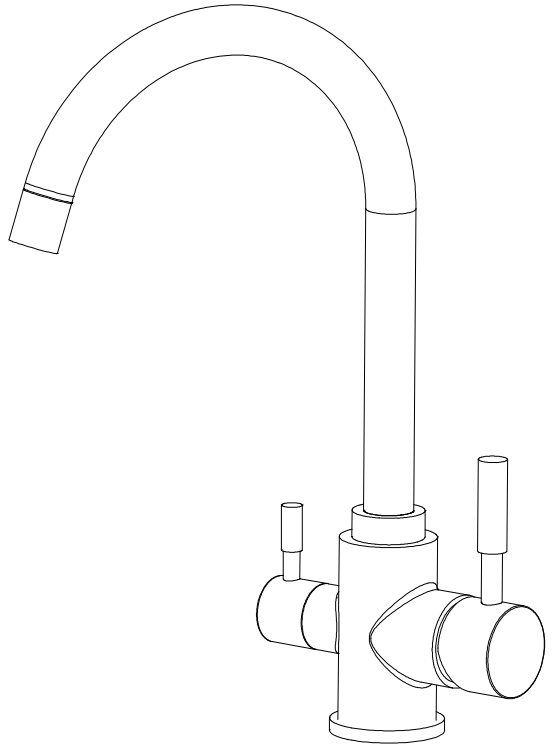
Hommix Verona Three Way Kitchen Tap

Specifications

1. Ceramic valve cartridge
2. Flow rate: 2.2G/M base on 0.5Mpa
3. 1/4" Connector for filtered water tube
4. 2 x G-1/2" Flexible Hoses

Installation Tools

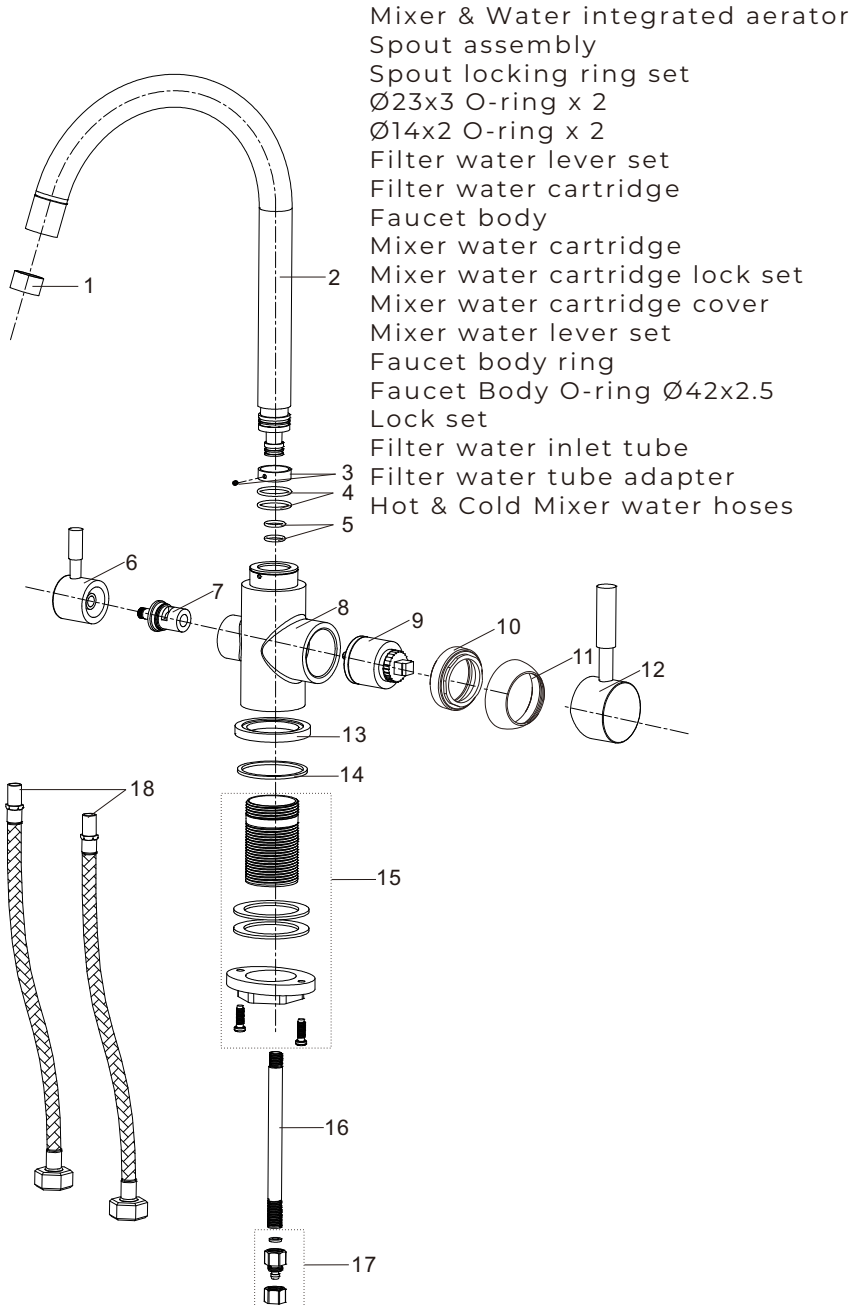
- Adjustable Spanner / Monkey Wrench
- PTFE tape
- 2.5mm Allen key



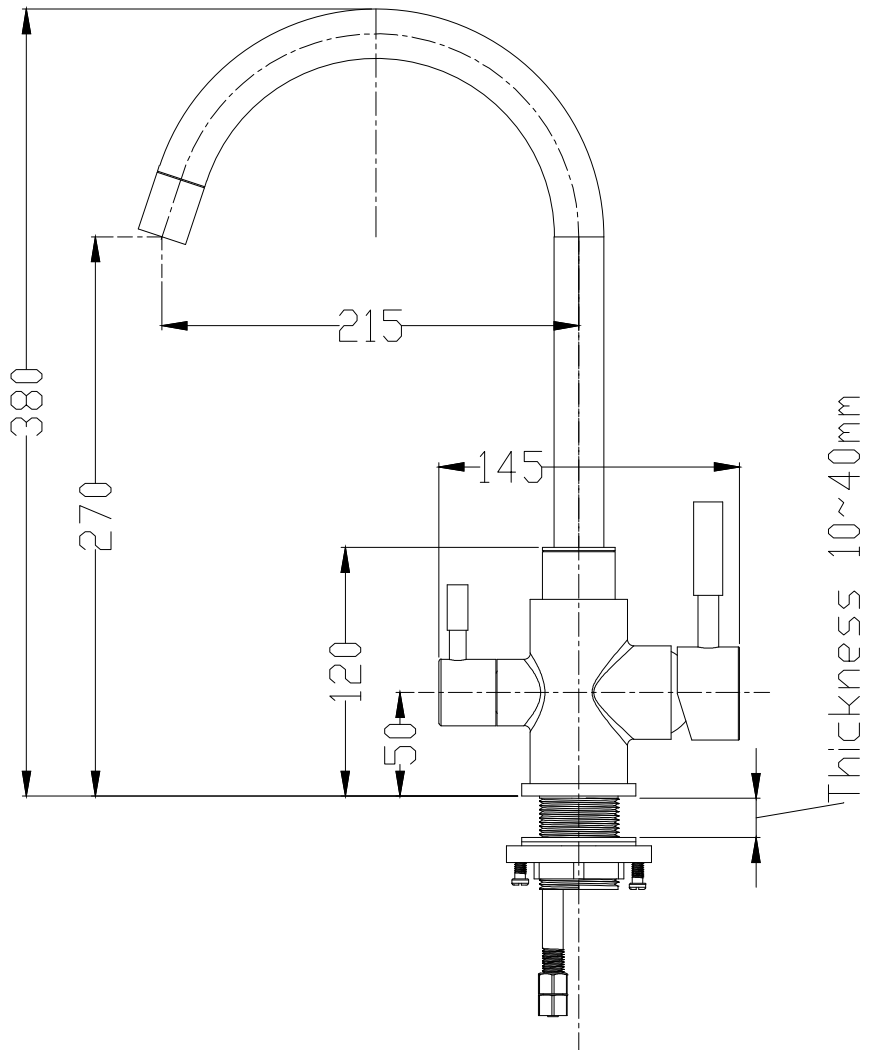
Accessories

1. 1 Pc lock bolt
2. 1 pc rubber gasket
3. 1 Pc metal gasket
4. 1 Pc lock nut
5. 2 Pcs of fixing screws
6. 1 set filtered water pipe and a plastic adapter (1/4" push fit)
7. 2 Pcs hot and cold 600mm hoses

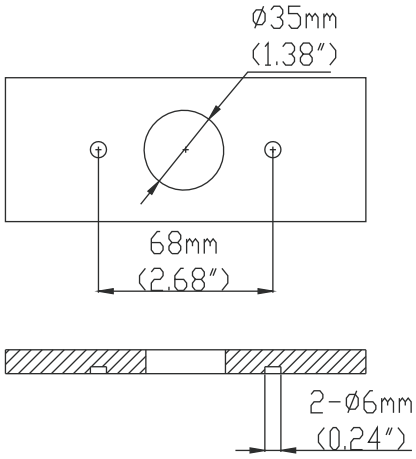
Replacement Parts



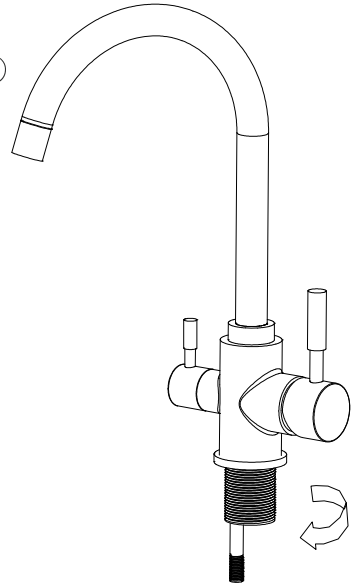
Profile Drawing



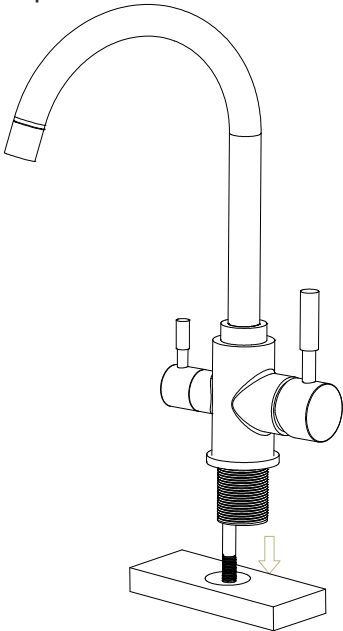
Faucet Installation Procedures



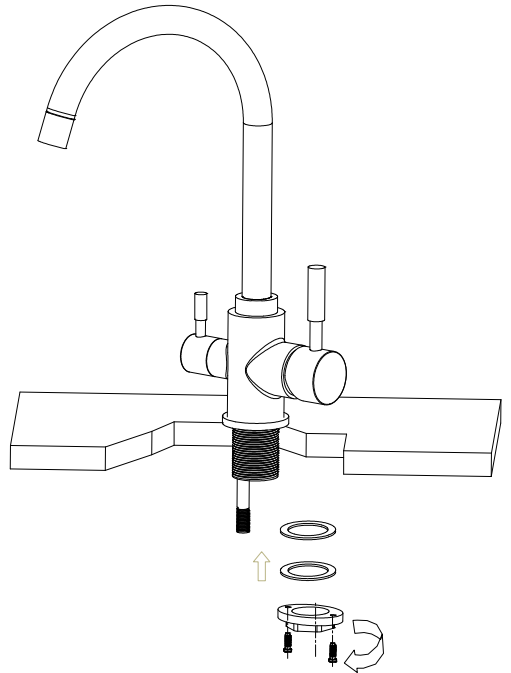
Step ①



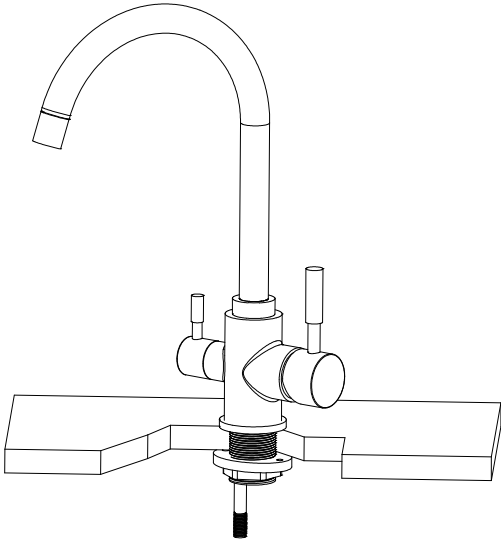
Step ②



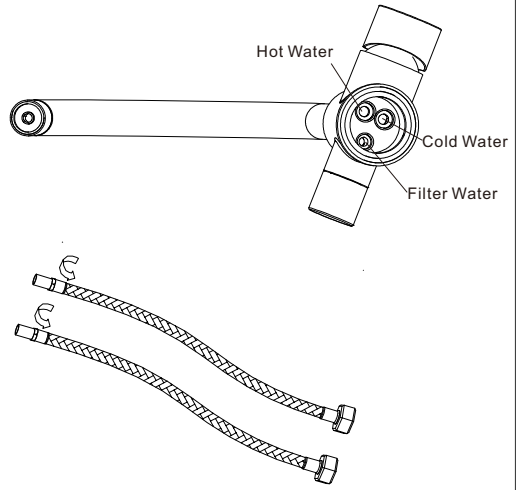
Step ③



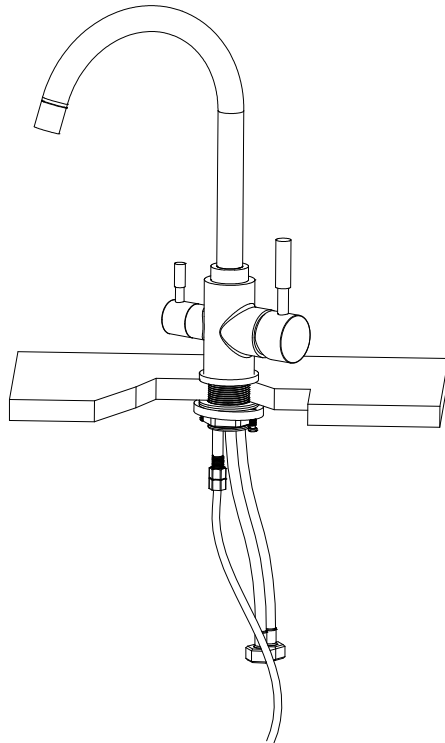
Step ④



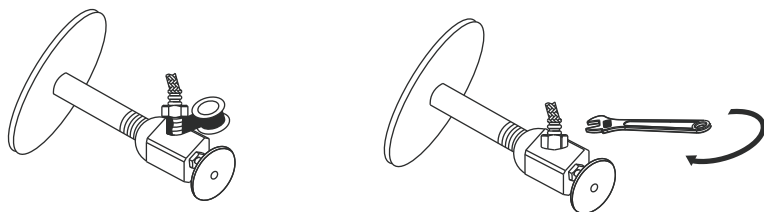
Step ⑤



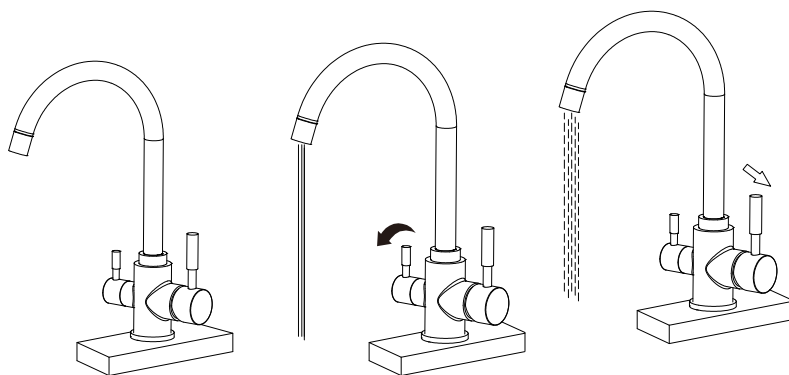
Step ⑥



Step ⑦



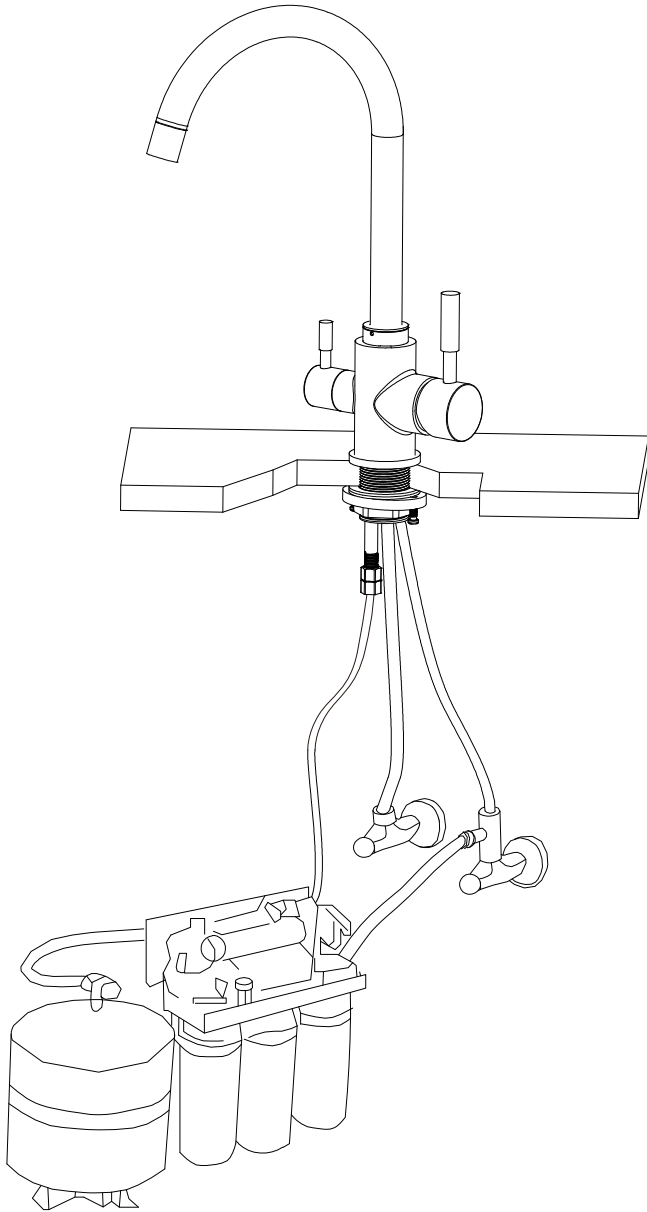
Step ⑧



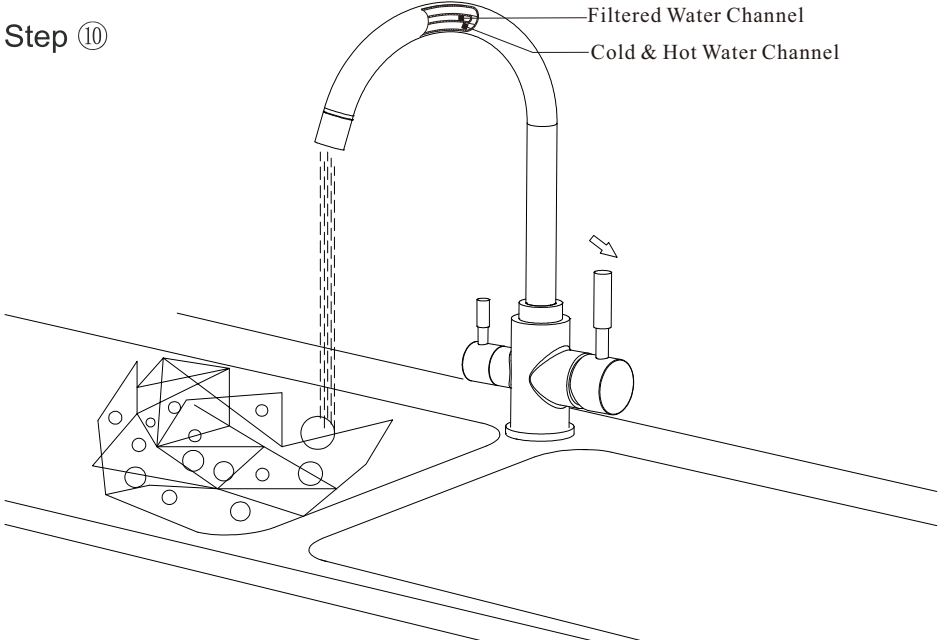
Notice

Please removal all the sand, silt etc. anything maybe block the cartridge before fixed to your kitchen Counter top. If the faucet cannot work, please send to a qualified person to repair it

Step ⑨



Step ⑩



Step ⑪

