

# Drain Saddle Installation

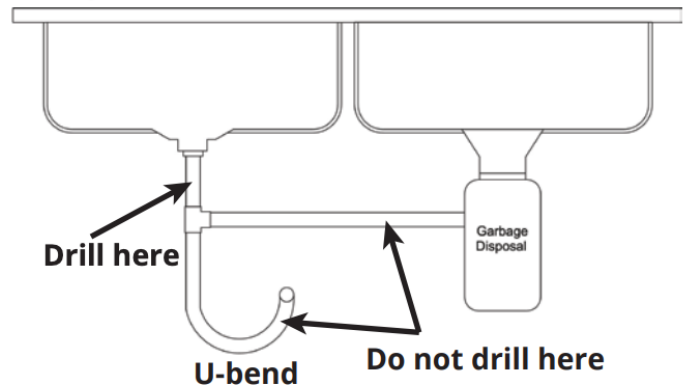
The purpose of the drain saddle is to prevent the tubing connected to drain from popping out of place and potentially leaking where the system is installed. Please see the figure below for instructions on how to make the drain saddle connection.

## Equipment Required:

- Drill with 7mm (1/4") drill bit
- Phillips Screwdriver
- Adjustable Wrench

## Step 1:

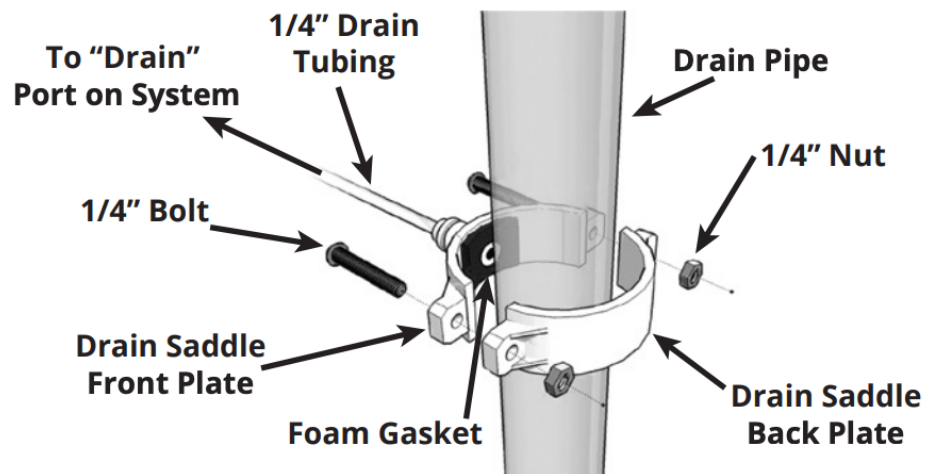
Select a location for the drain hole based on the design of the plumbing. The drain saddle should be installed above the u-bend if possible, on a vertical tail piece. Locate the drain saddle away from the garbage disposal to prevent potential contamination and system fouling. Please see figure below for a more detailed explanation. Use a 7 mm (1/4") drill bit to drill a small hole in the drain pipe for the drain to pass through. Clean the debris from the plumbing and hold before continuing.



*Drain Saddle Installation Location*

## Step 2:

Remove the backing from the foam gasket and stick that half of the drain saddle on the drain pipe so that the holes line up (a small drill bit or other long narrow object can be used to help align correctly). Place the other half of the drain saddle on the opposite side of the drain pipe. Clamp and loosely tighten the drain saddle using the nuts and bolts included. Use a Phillips screwdriver to tighten the drain saddle. Connect the tubing from the drain saddle quick connection to the "Drain" connection on the system.



*Drain Saddle Connection Diagram*