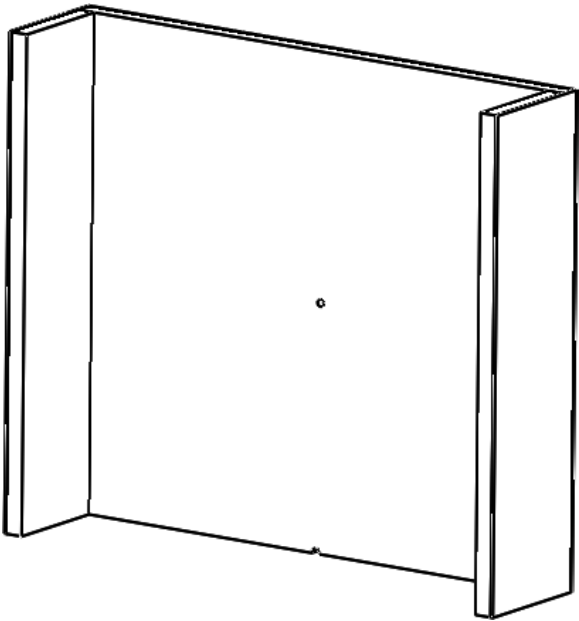
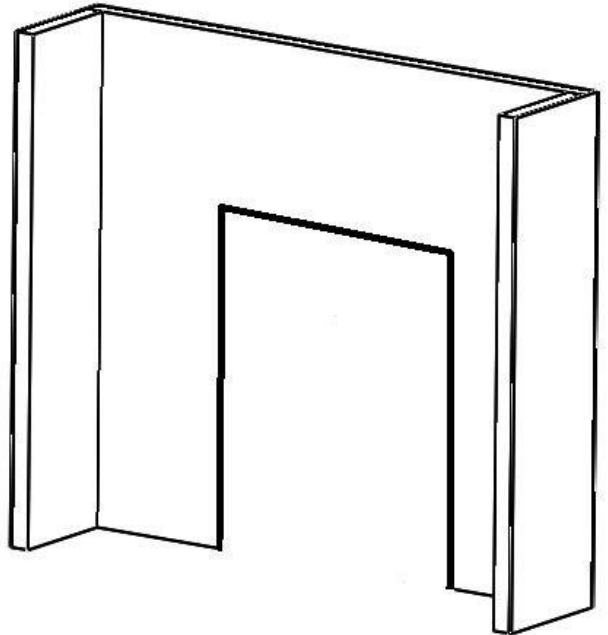


# Decorative Back Panel Installation Instructions



Backing for E200A



Backing for E112R

**For use with Fireplace Mantle E123S**

**PLEASE READ THIS MANUAL BEFORE INSTALLING AND USING APPLIANCE. INSTALLER: DO NOT DISCARD THIS MANUAL – LEAVE WITH THE CUSTOMER. SAVE THESE INSTRUCTIONS FOR FUTURE REFERENCE.**

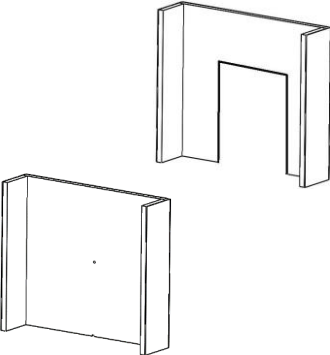
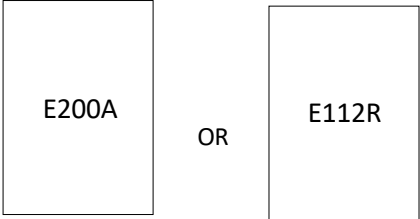

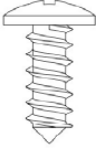
**Appliance Development Services Ltd Tel**

**01723 583227**

# SECTION 1 CONTENTS

## 1.1 Unpack

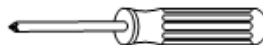
- Open the package carefully and remove all pieces. Carefully inspect each part for any damage before you begin assembly.
- This backing comes in various colours and 2 different configurations depending on the fire purchased.
- Ensure that you have all the parts listed below before assembling.
- Retain packaging for future transport and/or storage.
- Follow these instructions after assembling the E123S mantle.

Decorative back panel	Fire box	5" Flue	6x 3mmx10mm screws
		 <p data-bbox="932 1155 1145 1216">(Only available with E200A)</p>	

NOTE: left and right of product are distinguished by its front view.

## 1.2 Before installation

Tools required: Magnetic Phillips screwdriver.



## 1.3 Installation

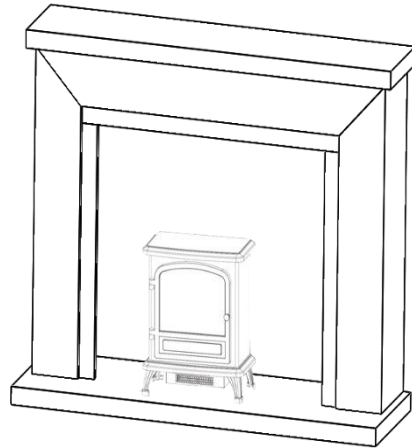
NOTE!

- Assembly required by two adults.
- To avoid over tightening, **do not use** an electric screwdriver.
- Only use the screws supplied with this mantle.

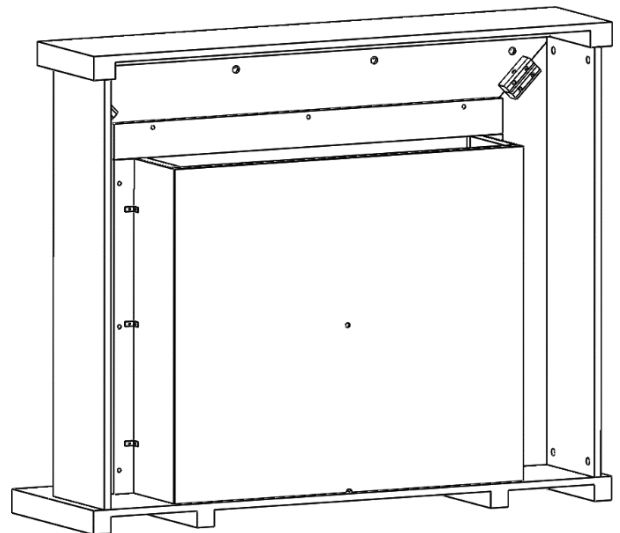
## SECTION 2 INSTALLATION

### 2.1 Electric stove (E200A)

1. Carefully unpack the stove.
2. On the back of the stove, remove the metal plate that is covering the LED fly-lead. Once this is done, position the stove on part D (base panel) of the E123S fireplace mantle



3. Ensure the stove cable is drawn out to the back of the mantle.
4. Stood behind the mantle, place the DBP (decorative back panel) onto part D (base panel) of E123S fireplace mantle ensuring the cable is pulled through the cable hole on the DBP.

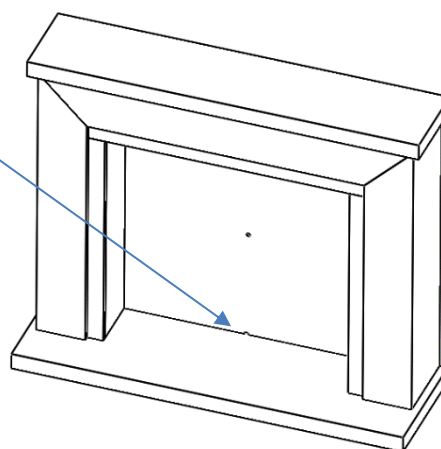
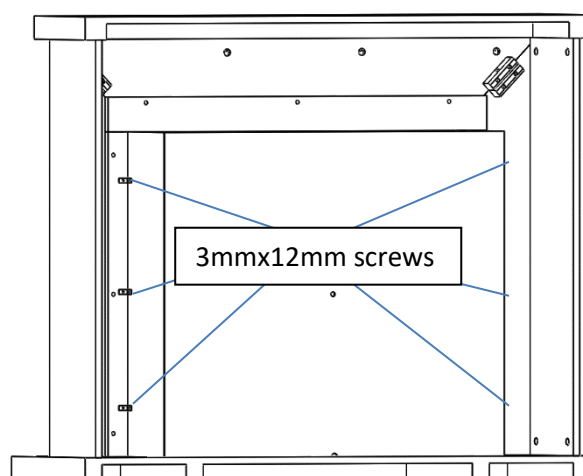


5. Using the small LED fly-lead cable that came with the mantle box, slot the small male end through the hole in the DBP and connect this to the fire. Once this is done, the fire can be pushed back against the DBP



- Using the 6x m3x12mm screws attach the DBP to the mantle ensuring the brick effect does not sit proud of the front edges.

Ensure brickwork edge is not on show.



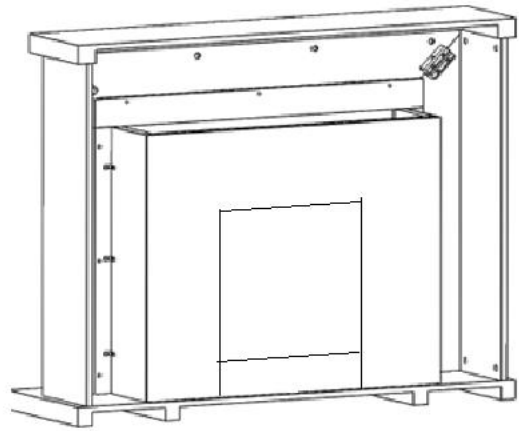
- Take the flue pipe, and position in the centre on top of the stove.
- Take the top backing panel (remaining panel within the E123S mantle box) and, standing behind the mantle, place on top of the backing over the flue.



- Using the long LED fly-lead cable that came with the mantle box, attach the small male end to the LED that is attached to the top backing panel. Connect the female end to the male end on the small LED fly-lead.

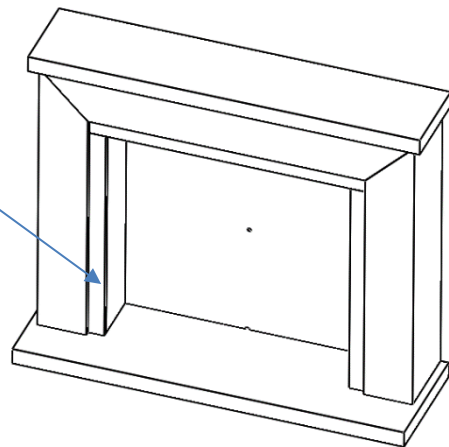
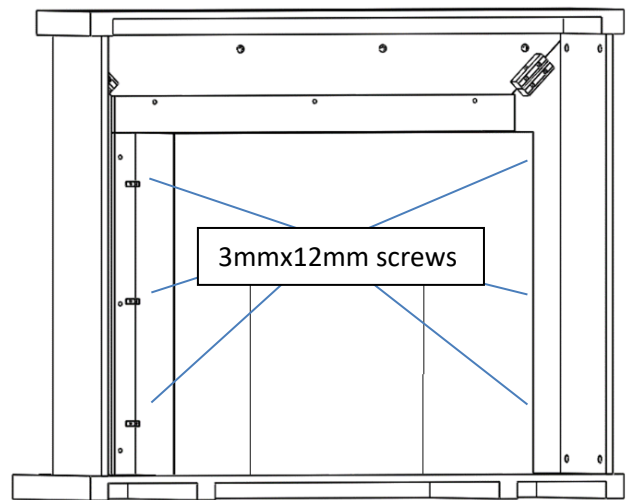
## 2.2 Electric fire (E112R)

1. Stood behind the mantle, place the DBP (decorative back panel) onto part D (base panel) of E123S fireplace mantle

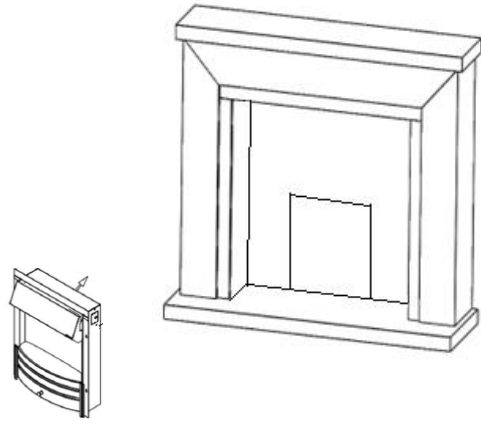


2. Using the 6x m3x12mm screws attach the DBP to the mantle ensuring the brick effect does not sit proud of the front edges.

Ensure brickwork edge is not on show.



3. insert the fire from the front of the mantle taking care not to scratch the base of the mantle



## SECTION 3 CLEANING & MAINTENANCE

Your mantel surface coating will give off a slight odour for a brief initial period. Try to ventilate as much as possible during this time.

### Daily cleaning:

- Clean the mantle surfaces with a soft, lint-free cloth.
- Do not use cleaning or polishing products.

### Avoid

- Long-term direct sunlight.
- Excessive temperatures and humidity to protect the life of your furniture surface.
- Do not put heavy or sharp objects on this mantle.