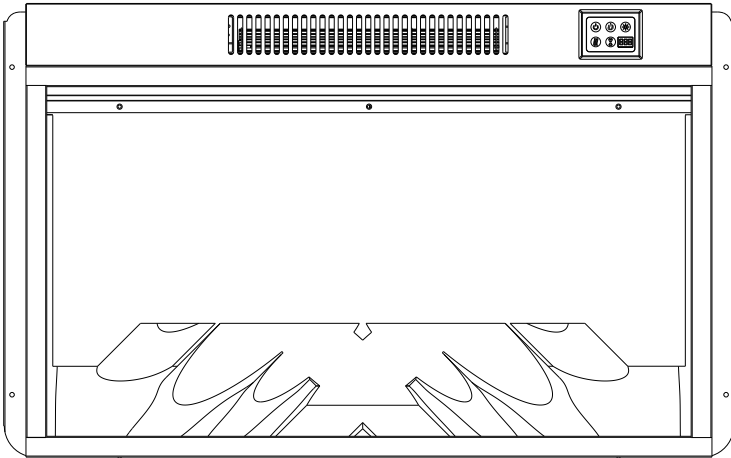


Inset LED Electric Fire

Model No: E222A

INSTALLATION AND OPERATION INSTRUCTIONS



Please read the instructions carefully before installation or use and keep for future reference

CONTENTS

1. Important Safety Information	1
2. Technical Specifications	3
3. Parts and Hardware	4
4. Appliance Dimensions	5
5. Installation Instructions	5
6. Operating Instructions	7
7. Maintenance	9
8. Others	10

1. IMPORTANT SAFETY INFORMATION

- 1.1 **Read all of the instructions carefully before using the appliance.**
- 1.2 **For indoor use only.** This appliance is not suitable for use outside the house and only suitable for well insulated spaces or occasional use.
- 1.3 Do not use this appliance in the immediate surroundings of a bath, a shower or a swimming pool.
- 1.4 Do not use this fire as a free-standing appliance. It must always be fixed to the wall, fireplace mantel, floor etc. Mirror plate brackets are supplied together with the mantle.
- 1.5 This fire must not be located immediately below a socket-outlet.
- 1.6 This appliance must be earthed.
- 1.7 This appliance must **NOT** be supplied through an external switching device, such as a timer, or connected to the circuit that is regularly switched on and off by utility in order to avoid a hazard due to the inadvertent resetting of the thermal cut out.
- 1.8 If the power cord is damaged, it must be repaired by the manufacturer, its authorized service centre or professional person.
- 1.9 **DO NOT COVER: Warning:** in order to avoid overheating, do not allow the appliance to be covered or let the air inlet/outlet become obstructed.

1.10 To reduce the risk of fire, keep textiles, curtains, or any other flammable material a minimum distance of 1 meter from the air outlet.

1.11 Keep the power cord away from hot surfaces and hot conditions. Do not route the power lead in front of the appliance.

1.12 Do not use this fire in rooms that have explosive fumes in them (for example petrol), or if you are using solvents, glue, aerosol spray or in flammable paints, as these may catch fire.

1.13 This appliance can be used by children aged from 8 years and above and people with reduced physical, sensory or mental capabilities or lack of experience and knowledge should only use the appliance if they have been given supervision or instruction concerning use of the appliance in a safe way and understand the hazards involved.

1.14 Children and vulnerable people must be supervised at all times when using this appliance, as some parts can become very hot and cause burns.

1.15 Do not use this appliance in small rooms when they are occupied by persons not capable of leaving the room on their own, unless constant supervision is provided.

1.16 Children aged between 3 and 8 years old should only switch on/off the appliance provided that it has been placed or installed in its intended normal operating position and instructions and supervision concerning the safe usage of the appliance are given.

1.17 Cleaning and user maintenance shall not be undertaken by children without supervision.

1.18 This appliance shall not be played with by children.

1.19 Children of less than 3 years should be kept away unless continuously supervised.

1.20 Keep the power plug accessible after installation.

Information below for authorized person or service centre only:

A non-rewireable plug fitted with a 13A fuse is supplied. Should the fuse or plug need replacing, and you are competent to do so, it must be replaced with a 13A fuse or plug being 13A BS1363A approved.

2. TECHNICAL SPECIFICATIONS

Model No.: E222A

Supply Voltage: AC 220-240V 50Hz

Maximum power consumption: 1.8KW

Power for flame effect: 6W (LED 2W + Motor for flame 4W)

Power for mood light: DC12V, Max 3.12W, 0.26A

Heat Output:

Nominal heat output (Pnom): 1.8KW

Minimum heat output(indicative) (Pmin): 0.9KW

Maximum continuous heat output (Pmax): 1.8KW

Auxiliary Electricity Consumption:

At nominal heat output (elmax): 12.5W

At minimum heat output (elmin): 12.0W

In standby mode (elSB): 0.49W

Type of heat output / room temperature control


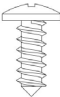

Single stage heat output and no room temperature control	Yes
Two or more manual stages, no room temperature control	Yes
With mechanic thermostat room temperature control	No
With electronic room temperature control	No
Electronic room temperature control plus day timer	No
Electronic room temperature control plus week timer	No

Other Control Options

Room temperature control, with presence detection	No
Room temperature control, with open window detection	No
With distance control option	No
With adaptive start control	No
With working time limitation	No
With black bulb sensor	No

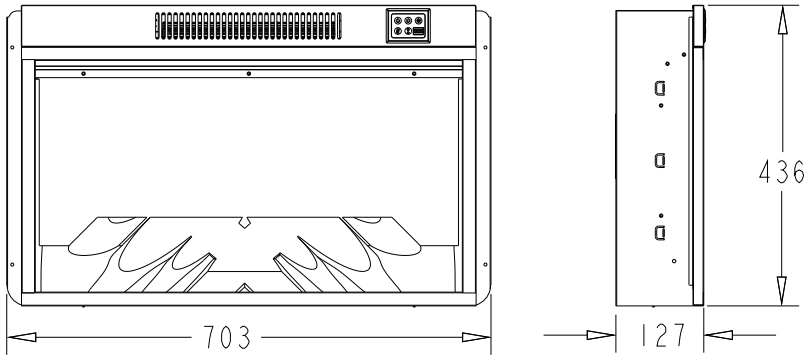
3. PARTS AND HARDWARE

- 3.1 Unpacking the fire carefully, make sure that the appliance is intact with no signs of damage caused by transport and no part has been exposed to water. If in doubt, do not use the appliance and contact an authorised service centre.
- 3.2 Keep plastic wrapping away from children.
- 3.3 Save the original packaging as this may be required in the event of service complaint with product.
- 3.4 Check that all parts are removed from the packing.

 <p>Remote Handset (1)</p>	 <p>Screw ST4*12 (4)</p>	 <p>Instruction (1)</p>
---	---	--

4. APPLIANCE DIMENSIONS

Unit: mm



5. INSTALLATION INSTRUCTIONS

Tools Required

A screwdriver will be needed.

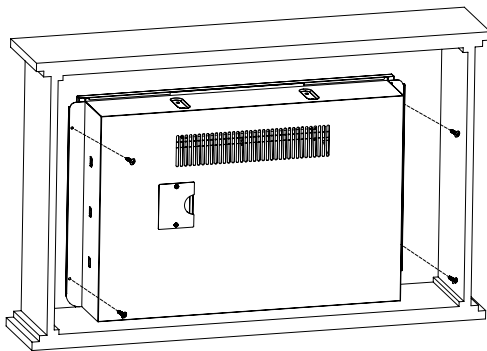
Locating the Appliance

Your new electric fireplace may be installed virtually anywhere in your home. However, when choosing a location ensure that the general instructions are followed.

- For best results, install out of direct sunlight.
- The appliance should be connected to an earthed electrical outlet and it must be accessible to allow disconnection.

5.1 This fire is designed to be installed from the back of the mantle, to do so use 4pcs ST4×12 screws to fix like shown in figure (A)

Figure (A)



5.2 Mood lighting - to connect the mood lighting, unscrew the small metal plate on the rear of the appliance this will reveal a male connector. plug this into the female connector on the mantle.

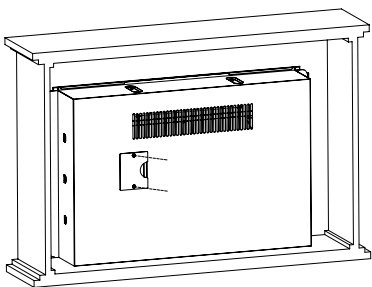


Figure (B)

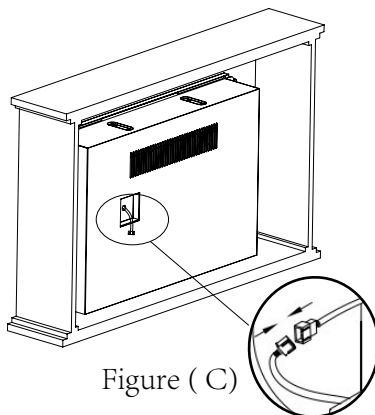


Figure (C)

NOTE: Compatible mood lights are available from Appliance Development Services Ltd. Other makes may not be suitable and will void warranty.

6. OPERATING INSTRUCTIONS

WARNING! Do not operate the appliance if it is damaged or has malfunctioned. If you suspect the appliance is damaged or has malfunctioned call a qualified service engineer to inspect the appliance and replace any part of the electrical system if necessary, before reuse.

WARNING! To reduce the risk of fire, keep textiles, curtains, or any other flammable material a minimum distance of 1 meter from the air outlet.

MAKE SURE the plug fits tight in the outlet. Faulty wall outlet connections or loose plugs can cause the outlet to overheat.

Do not disconnect the power at the mains supply whilst the appliance is running. Use the functions on the remote to turn the fire off and ensure the mains switch has been moved to the off position before disconnecting.

PREPARATION BEFORE USE

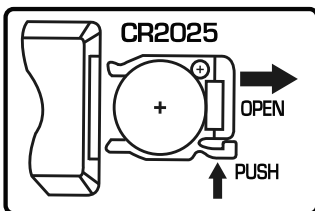
6.1 The appliance can be operated by both remote control and the manual controls on the appliance.

REMOTE CONTROL INFORMATION

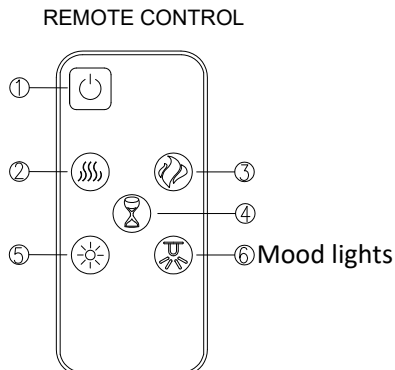
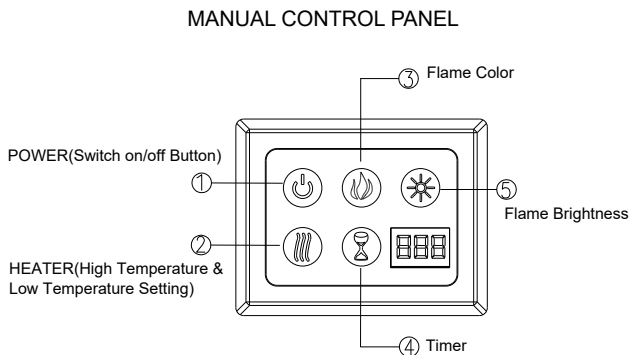
The Infrared remote control relies on a line of sight and must be pointed at the flame/screen of the fireplace to work.

Battery Replacement Procedure: (Size CR2025)

Battery replacement instruction



6a. MANUAL CONTROL PANEL



NOTE: The ICONS on the keypad have the same function as the ICONS on the remote control.

6a.1 The manual buttons are located on the front in the upper right corner of the appliance.

① POWER :Press the “POWER” button to turn on the appliance. the LED lights will light up and the display window will show the room temperature . To switch off simply press the “POWER” button again.

② HEATER: Press “HEATER” button to switch heat on or off and select your desired mode.

This appliance has 2 heat settings:-

- P1 - high
- P2 - low

- Flame Color: There are 5 different flame effects.
- F1:LED Flame effect will cycle through all available colours .
- F2:LED Flame effect purple & yellow
- F3:LED Flame effect blue & yellow
- F4:LED Flame effect red & yellow
- F5:LED Flame effect white & yellow

④ Timer : Timer can be set between 0-8 hours. The default timer is 0 hours pushing this button will change the timer (From OFF-1H-2H-3H-...7H-8H).

⑤ Flame Brightness : To adjust the flame brightness, press the "flame brightness " button.
- The display window will show the level of the brightness. (L1-L2-L3-L4-L5)).
- Press "Flame Brightness" button for 3 seconds to cycle through all available colours mood lights.

⑥ Mood Lighting : There are 13 different colour mood lights,

⑦ press and hold this button for 3 seconds to turn off just the mood lighting

Temperature Limiting Control

6a.2 This heater is equipped with a Temperature Limiting Control. Should the heater reach an unsafe temperature, the heater will automatically turn OFF. To re set:

1. Turn the ON/OFF switch on the CONTROL PANEL to OFF. Wait 5 minutes.
2. Unplug the power cord from the outlet.
3. Inspect the fireplace to make sure no vents are blocked, or clogged with dust or lint. If they are, use a vacuum to clean the vent areas.
4. With the POWER switch in the OFF position, plug the power cord back into the outlet.
5. If the problem continues, have your outlet and wiring inspected by a professional.

7. MAINTENANCE

WARNING: Before any maintenance or cleaning of the exterior of the fireplace, the unit should be disconnected from the power supply until it has cooled down.

Cleaning the Fireplace

Cleaning or polishing products are not recommended. Fingerprints or other marks on the front glass panel can be removed by a piece of soft, damp, lint-free cloth with a good quality household glass cleaner. The front glass panel should always be thoroughly dried with a clean, lint-free cloth or paper towel.

CAUTION: Abrasive cleaners should not be used on the glass panel. Liquids should not be sprayed directly onto any surface of the unit.

8. Others

Environment



Meaning of crossed –out wheeled dustbin:

Electrical appliances should not be disposed as unsorted municipal waste. Separate collection facilities should be used in the disposal of electrical appliances. To have this appliance processed at the end of its useful life please contact WEEECare Plc on 0844 8002004. The relevant producer number is WEE/MM3069AA.



This fire complies with the Safety Standards EN 60335-1 and EN 60335-2-30 which covers the essential requirements of the Low Voltage Directive 2014/35/EU and the EMC standards EN 55014-1; EN 55014-2; EN 61000-3-2 and EN 61000-3-3 which covers the essential requirements of the European Electro Magnetic Compatibility 2014/30/EU, and the RED standards EN300220-2, EN301489-1, EN301489-3 and EN6247 which covers the essential requirements of the European Radio Equipment Directive 2014/53/EU.



This fire complies with the Safety Standards BS 60335-1 and BS 60335-2-30 which covers the essential requirements of the Electrical Equipment (Safety) Regulations 2016 and the EMC standards BS 55014-1; BS 55014-2; BS 61000-3-2 and BS 61000-3-3 which covers the essential requirements of the Electro Magnetic Compatibility Regulations 2016, and the RED standards BS 300220-2, BS 301489-1, BS 301489-3 and BS 6247 which covers the essential requirements of the Radio Equipment Regulations 2017.

Control PCB	Remote Control Receiver	Remote Control Transmitter
Hardware: MZ-DBL30191(HS) Software:MZ-DBL30191 (HS)-B V00 CS 98B7.hex	Hardware: MZ-DBL30191(HS)-B V00	Frequency: 38kHz Maximum transmit power: 50mW Hardware:QSD0808-05 Software: MZ-DBL30191(HS).hex