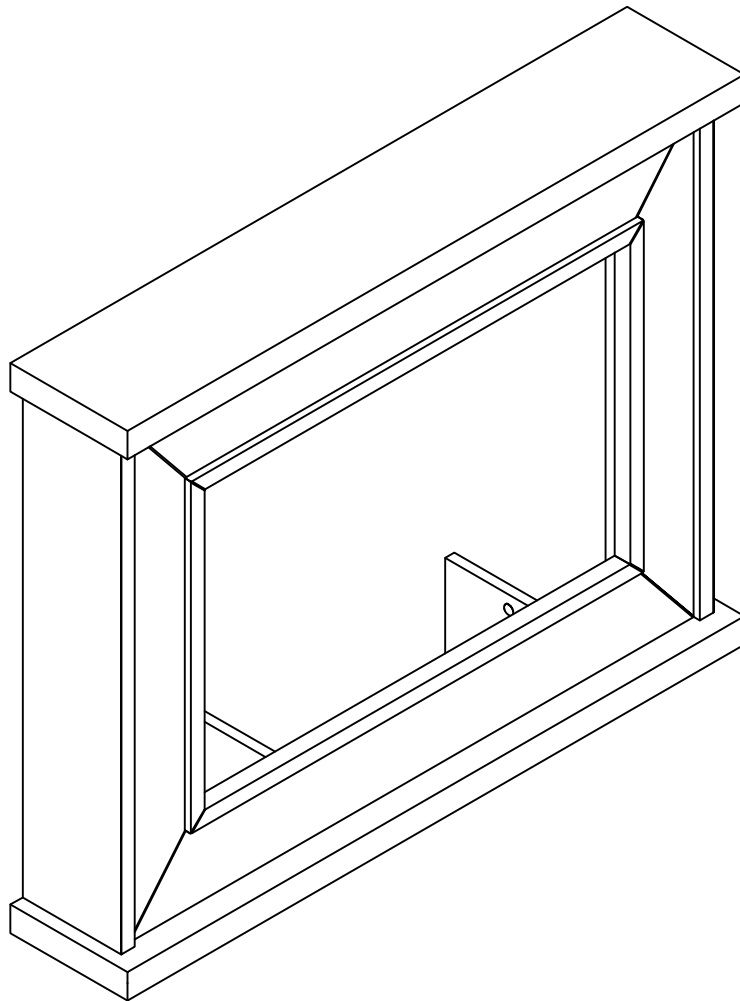


Installation and Users Instructions



Model: E122S Fireplace Mantel

For use with E222A

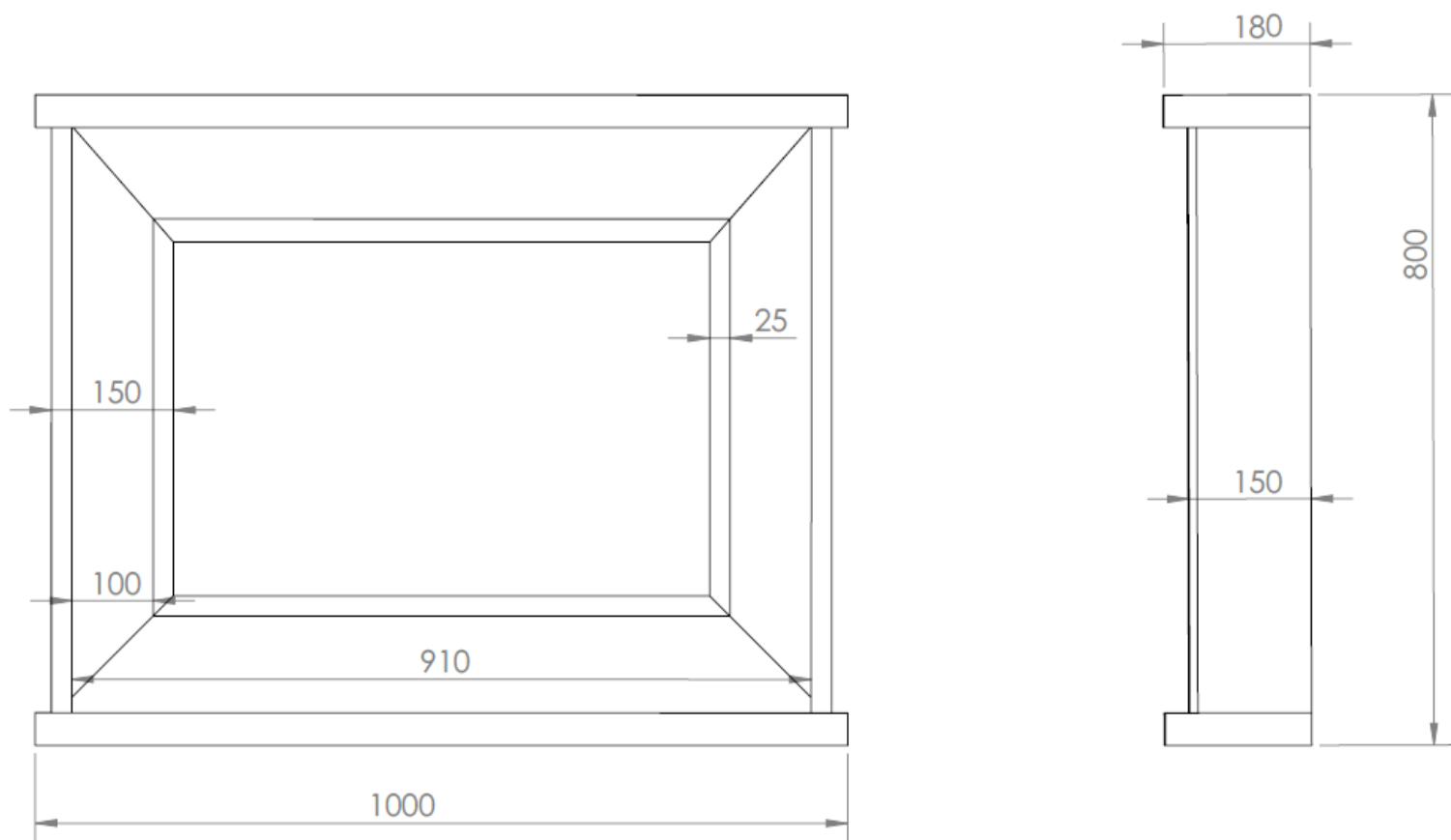
**PLEASE READ THIS MANUAL BEFORE INSTALLING AND USING THE APPLIANCE.
INSTALLER: DO NOT DISCARD THIS MANUAL – LEAVE WITH THE CUSTOMER
SAVE THESE INSTRUCTIONS FOR FUTURE REFERENCE.**

Appliance Development Services Ltd

Tel 01723 583227

SECTION 1 DIMENSIONS

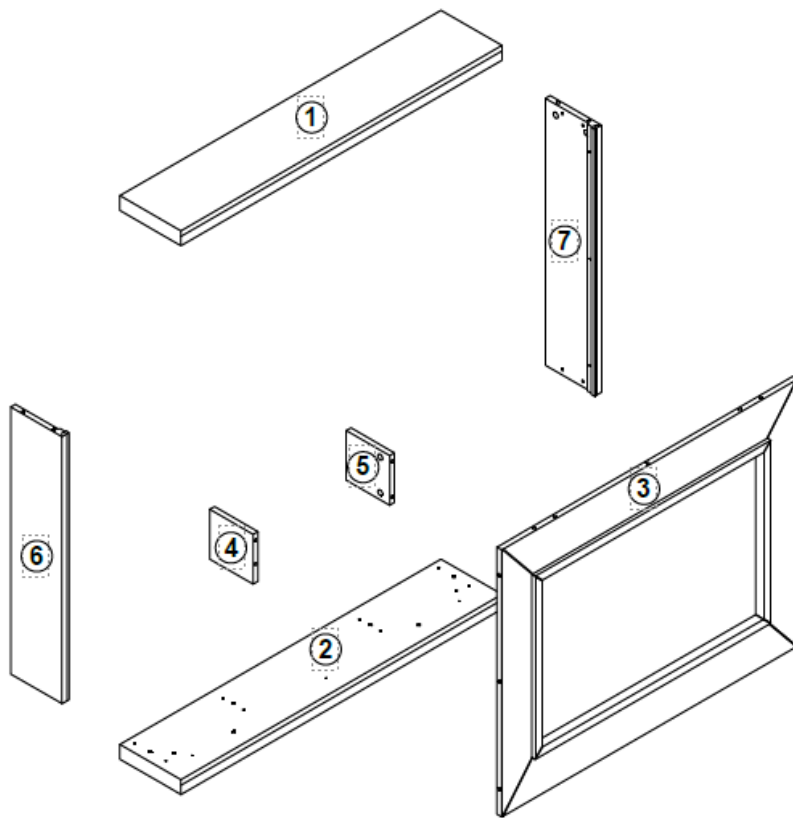
Dimensions in mm



SECTION 2 ASSEMBLY AND INSTALLATION

2.1 Unpack

- Open the package carefully and remove all pieces. Carefully inspect each part for any damage before you begin assembly.
- Ensure that you have all the parts listed opposite before assembling.

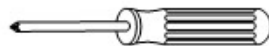


No.	Name	Quantity
1	Top panel	1
2	Base panel	1
3	Front panel	1
4	Left hand fire support	1
5	Right hand fire support	1
6	Left hand side panel	1
7	Right hand side panel	1
A	Wood dowel \varnothing 6*30	11
B	Cam pins	16
C	Cams	16
D	Screws 4x50mm	12
E	Screws 4x12mm	16
F	Corner brackets	4

NOTE: left and right of product are distinguished by its front view.

2.2 Before installation

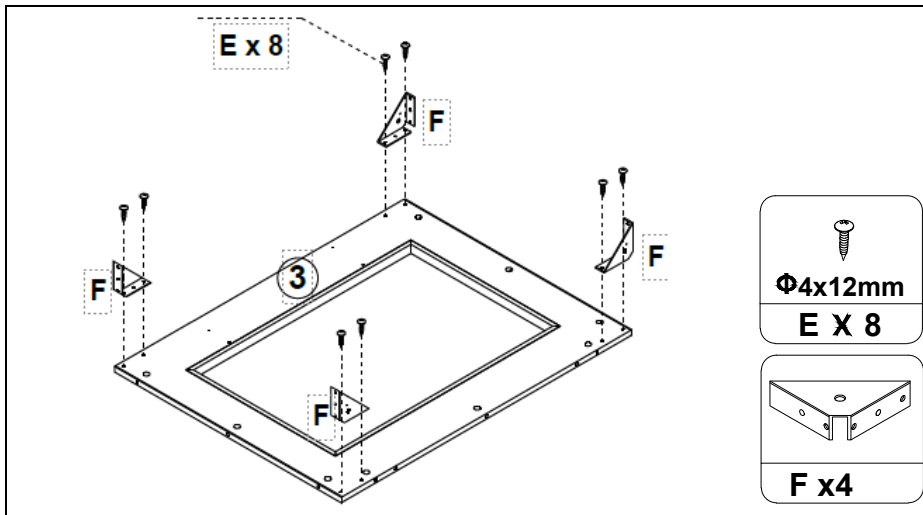
Tools required: Phillips screwdriver



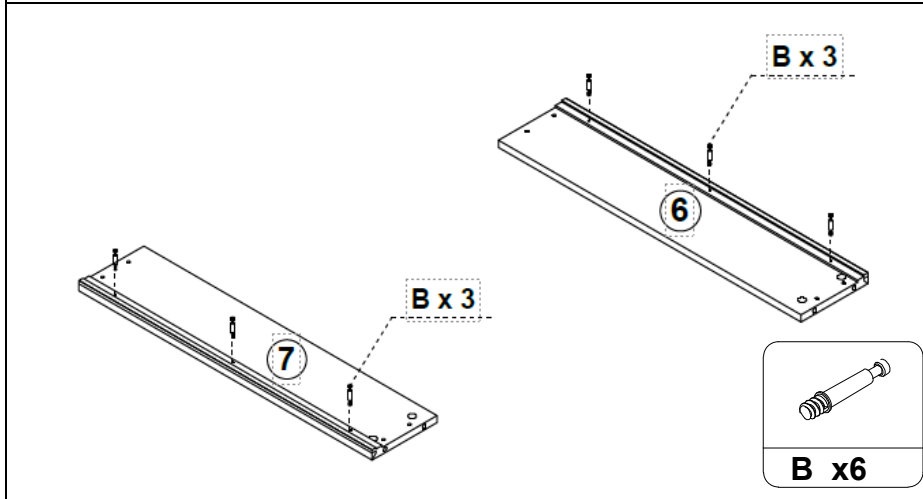
2.3 Installation

NOTE!

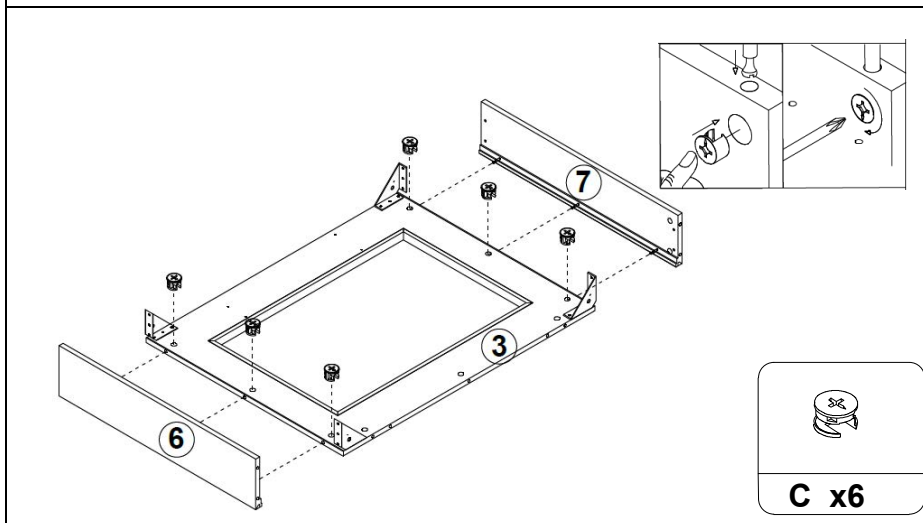
- Assembly required by two adults.
- Loosely fit all screws then tighten both sides simultaneously to ensure the surround is square.
- This fireplace suite must be fitted to the wall. Mirror plates are supplied with the mantel but any other suitable concealed fixing may be used.
- Use manual screwdriver only.
- Do not over-tighten bolts.
- Do not use any screws other than those provided as this may cause damage to the mantel
- Only fit the fire from the back. To prevent scratching the mantel



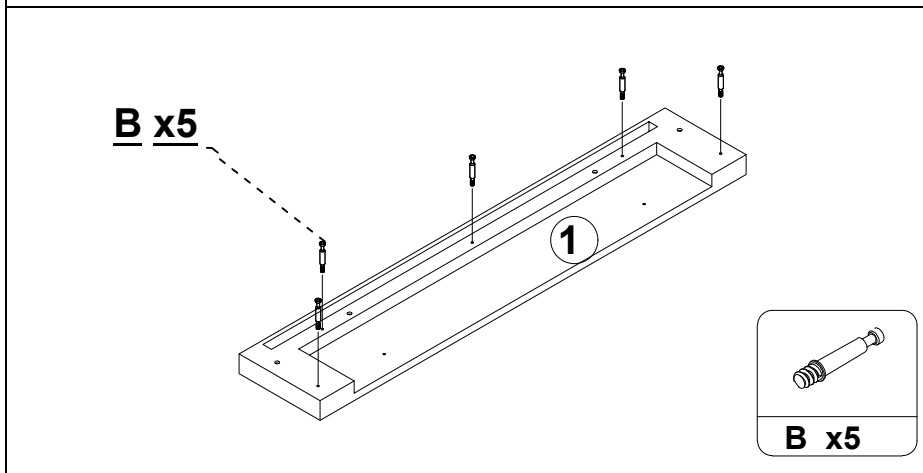
1) Attach the 4 Corner brackets (F) to front panel (3) as shown.



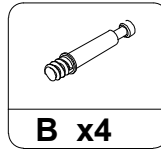
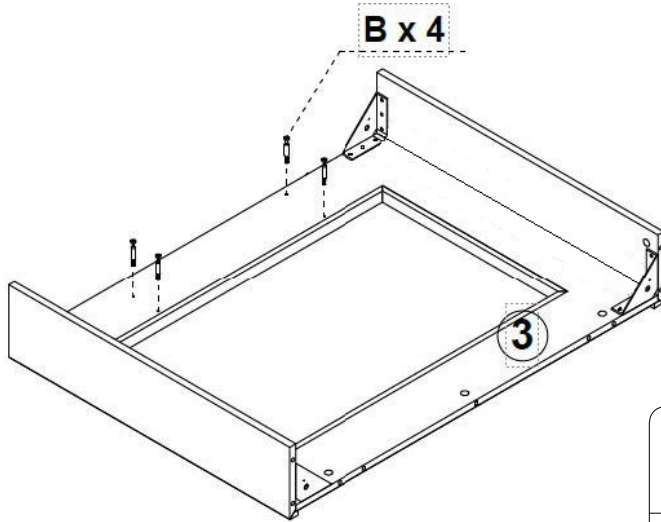
2) Taking right hand (7) & left hand (6) side panels, attach 3 cam pins (B) into each piece as shown.



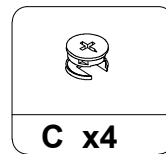
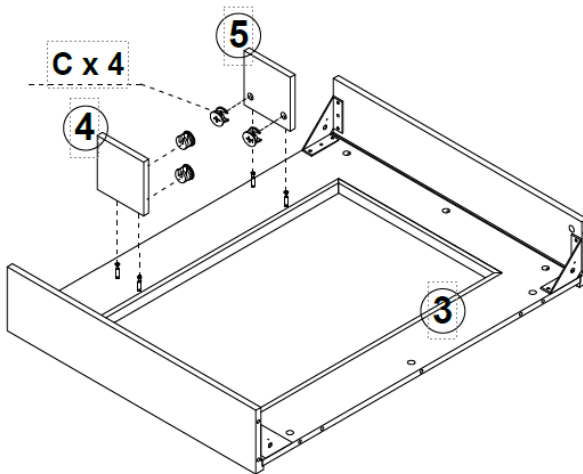
3) Attach right hand (7) & left hand (6) side panels onto the front panel (3) using cams (C) as shown.



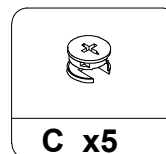
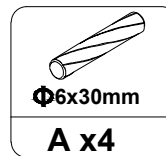
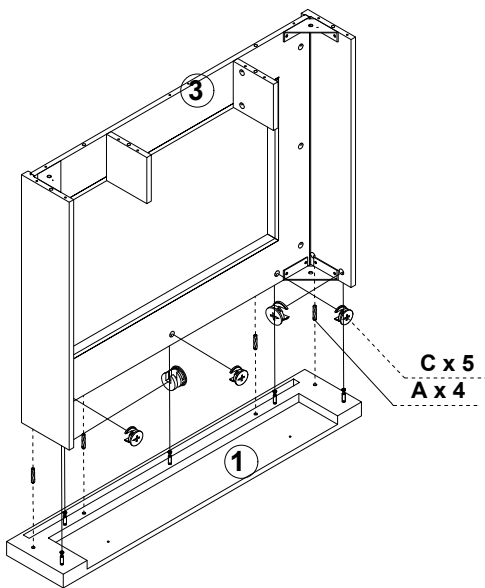
4) Taking the top panel (1) attach 5 cam pins (B) as shown



5) Taking the newly assembled pieces insert 4 cam pins (B) as shown

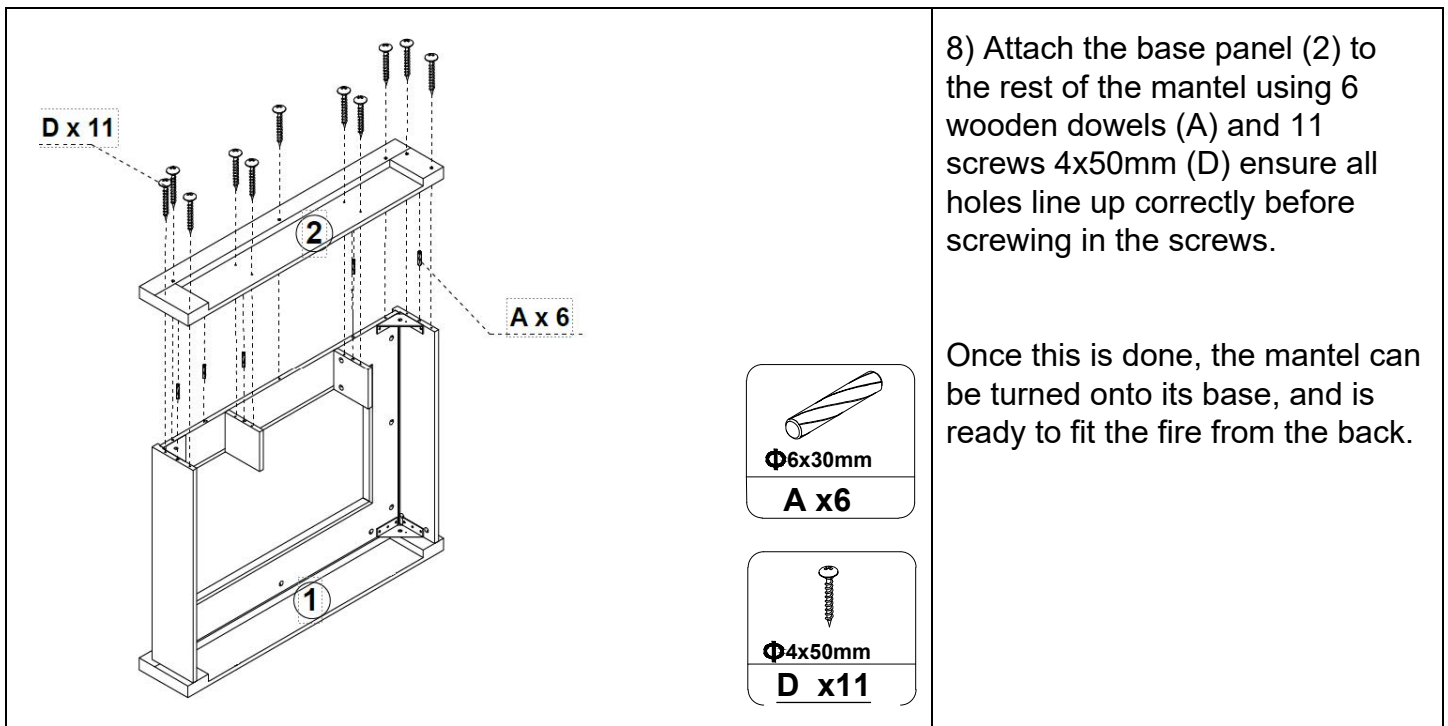


6) Taking left hand & right hand fire supports (4 & 5) attach as shown using 4 cams (c)



7) Laying the top panel (1) on the floor attach to the part assembled piece as shown

Ensure the LED cable is positioned on the inside of the mantel.



SECTION 3 CLEANING & MAINTAINENCE

1. Your fireplace mantel surface coating will give off a slight smell for a short period of time. Try to ventilate as much as possible during this time.
2. Daily cleaning: Clean the mantel surfaces with a soft, lint-free cloth. Do not use cleaning or polishing products and try to avoid heavy or sharp articles which may damage the surface.
3. Avoid long-term direct sunlight, and excessive temperatures and humidity to protect the life of your mantel surface.

