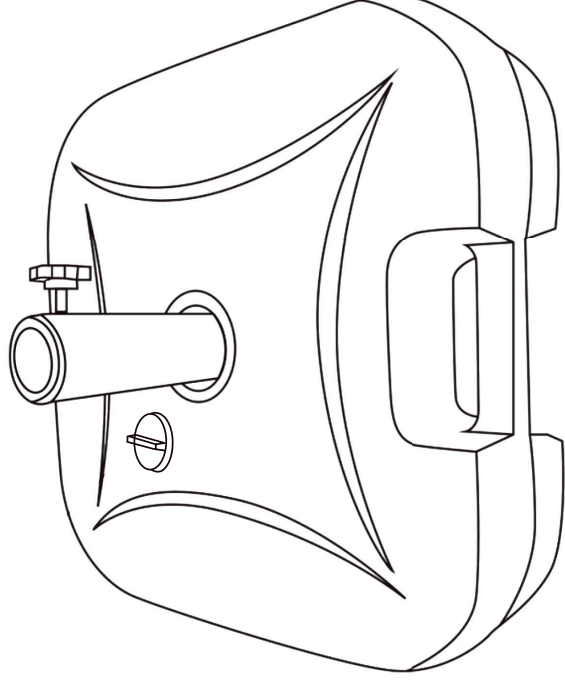


THE Base

00000



THE
**Outdoor
Edit**

Need help?
help@theoutdooredit.co.uk
0141 230 2235
theoutdooredit.co.uk

THE
**Outdoor
Edit**

User Manual
The Base
OE018

Before you start!

- Retain these instructions for future reference.
- When you are ready to start, **make sure that you have the right tools, plenty of space and a clean, dry area** for assembly.
- Unwrap all packaging materials and **place the components on top of the carton box** or on a **clean surface** to prevent it from scratching.
- Check the pack and **make sure you have all the parts listed**.
- Ensure that this product is **fully assembled** as illustrated **before use**.
- Ensure that the table is **compatible** with your chosen parasol.

Warnings

- **Do not sit or stand** on the parasol base.
- This product should only be used on a **firm, level surface**.
- **Do not use** this product if parts are **missing, damaged or worn**.
- **Keep small parts out of the reach of children**.
- **Do not overtighten** screws or bolts.
- **Before filling**, decide on an appropriate location for the base as it will be heavy when filled.
- Fill the base with either **water or water and sand**.
- If the base has been filled with water, **do not** leave it outside in freezing temperatures.

Warranty

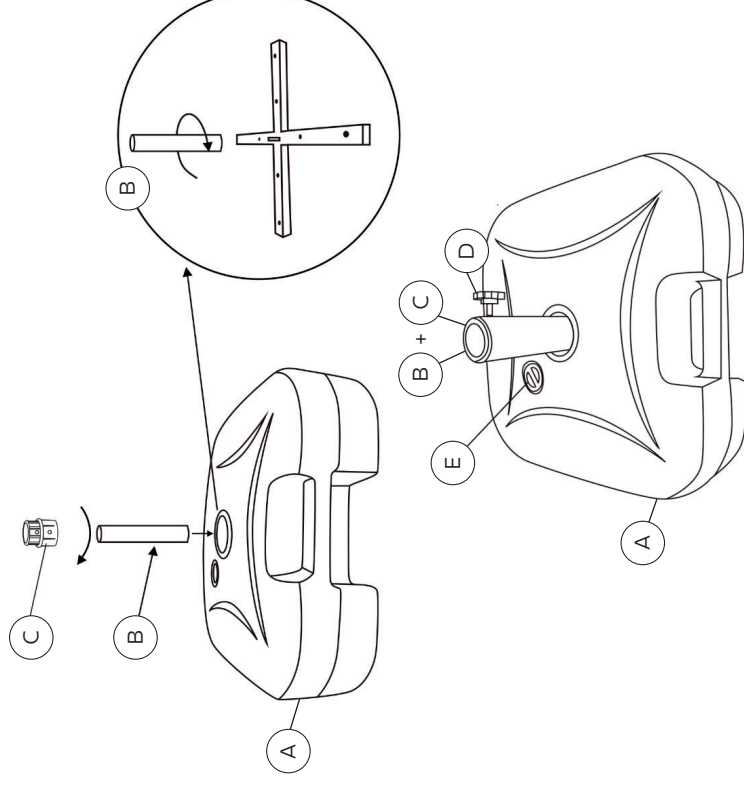
This product has a **12 month manufacturing warranty**.

- The warranty does not cover any accidental damage/neglect or general wear and tear.
- No liability will be accepted for damage or injury caused by incorrectly installed or assembled products.

Assembly Instructions

Note

Please decide where you will be placing your base before filling it.



1. Insert pole (B) into the centre hole of the fillable base (A), screwing in a clockwise direction to tighten.
2. Add the adapter (C) into the pole (B) by twisting in a clockwise direction.
3. Place your base in the desired location, unscrew the cap (E) and fill with water or water and sand.
4. Re-secure the cap (E) once filled.
5. Insert your parasol into the base pole (B) and adapter (C).
6. Tighten locking nut (D) until the parasol is held securely.