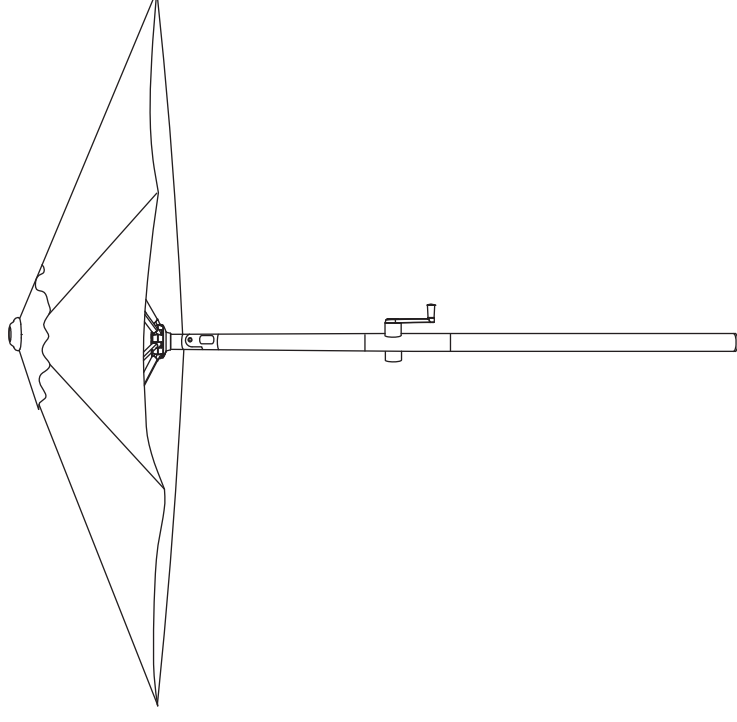


THE Parasol

0000



THE
**Outdoor
Edit**

Need help?
help@theoutdooredit.co.uk
0141 230 2235
theoutdooredit.co.uk

THE
**Outdoor
Edit**

User Manual
The Parasol
OE020, OE021, OE022,
OE023, OE024

Before you start!

- **Retain these instructions** for future reference.
- When you are ready to start, **make sure that you have the right tools, plenty of space and a clean, dry area** for assembly.
- Unwrap all packaging materials and **place the components on top of the carton box** or on a **clean surface** to prevent it from scratching.
- Check the pack and **make sure you have all the parts listed**.
- Ensure that this product is **fully assembled** as illustrated **before use**.

Warnings

- This product should only be used on a **firm, level surface**.
- **Do not** use this product if parts are **missing, damaged or worn**.
- **Do not overtighten** screws or bolts.
- This product can be **dangerous** if not installed correctly and installation should therefore be carried out by a **competent person**.
- The parasol must **always** be **weighted** with a suitable base, even when closed.
- Parasols should not be used in **high winds** or during **inclement weather**.
- When not in use, the parasol canopy should be **closed and securely tied**.
- Never **drag** a parasol when moving it, **always lift it**.
- Please **take care** when handling the parasol as careless handling may cause **damage or injury**.
- Please exercise care when **folding or unfolding** the parasol to avoid any possibility of **pinched or trapped fingers**.
- **Do not** sway this product violently.

Warranty

This product has a **12 month manufacturing warranty**.

- The warranty does not cover any accidental damage/neglect or general wear and tear.
- No liability will be accepted for damage or injury caused by incorrectly installed or assembled products.

Care & Maintenance

- We recommend that you clean your parasol at the beginning and end of the season.
- To clean the parasol, remove all dirt using mild soap and water.
- Do not use solvent based cleaners or detergents as they can bleach or damage the product.
- Never use a pressure hose or washer to clean the product.
- Never use scourers, abrasives or chemical cleaners as these may damage the surface.
- Rinse thoroughly and allow to dry.
- Bird droppings and tree sap should be cleaned off immediately.
- Store the product in a cool, dry place.
- Before storage ensure that the product is clean and completely dry.
- Do not enclose the product in a plastic or other non-permeable material as this promotes rust.
- We recommend covering this parasol with a dedicated furniture cover to allow the air to circulate around it.
- Please keep away from sources of extreme heat and naked flames.

PLEASE RETAIN THIS LEAFLET
FOR FUTURE REFERENCE

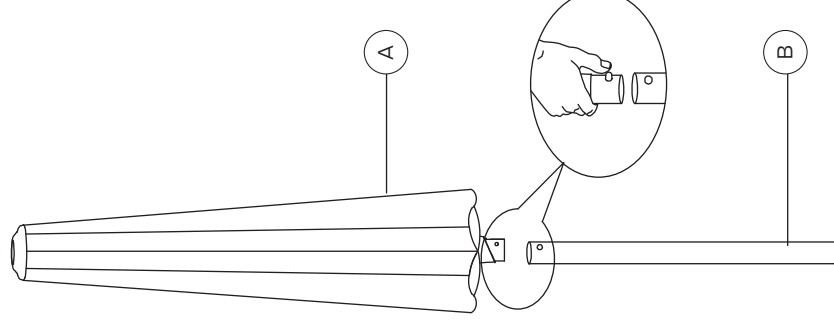
lella

Set-Up Instructions

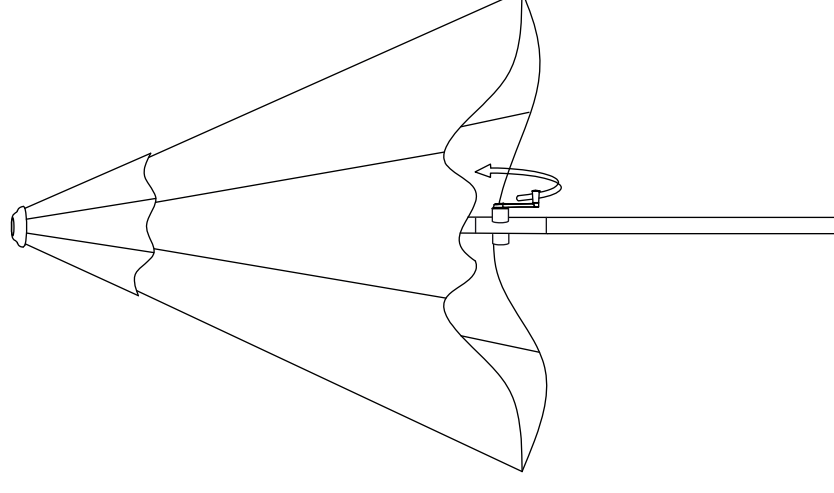
Note

Please select a suitable location for your parasol BEFORE beginning assembly.

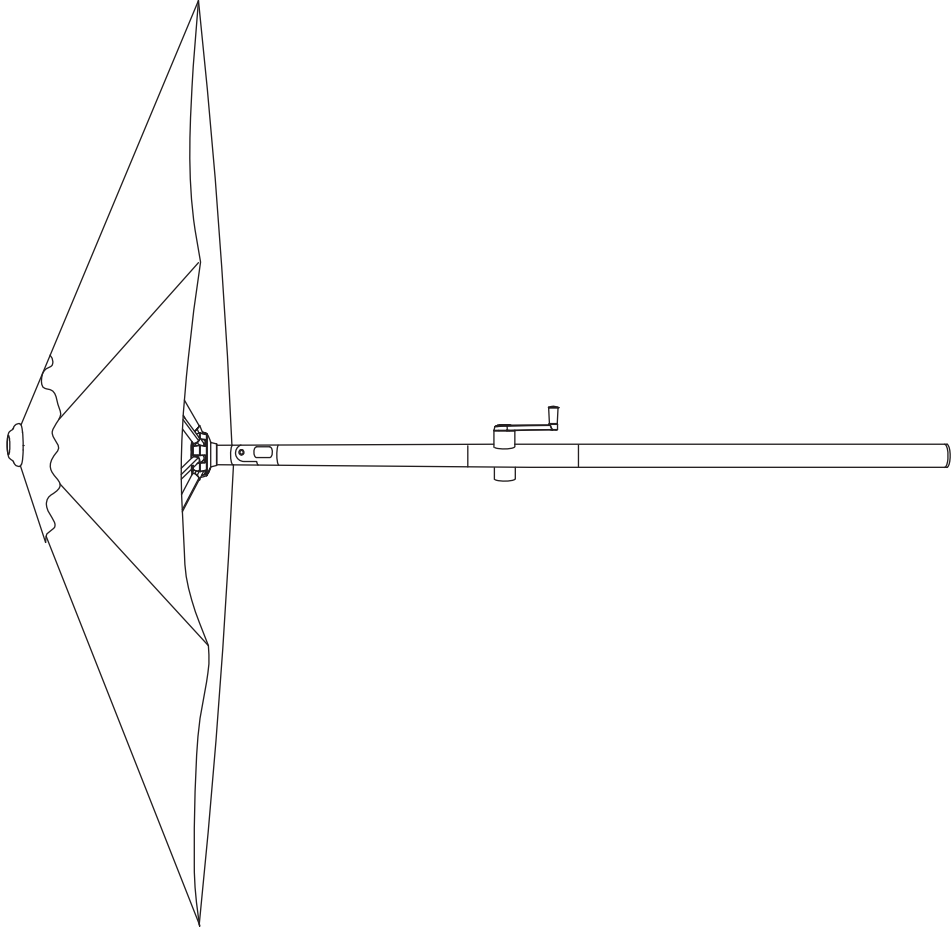
Step 1



Step 2



Step 3



Step 4

