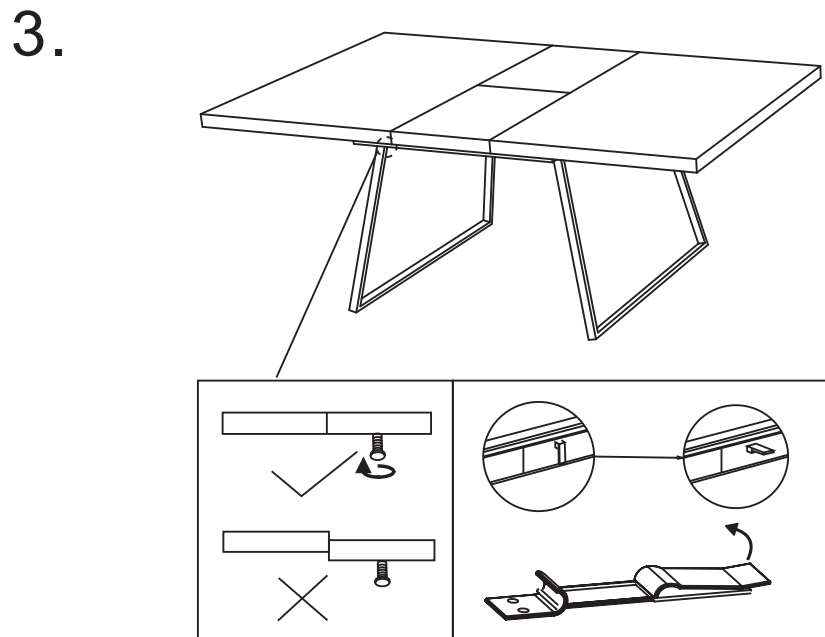
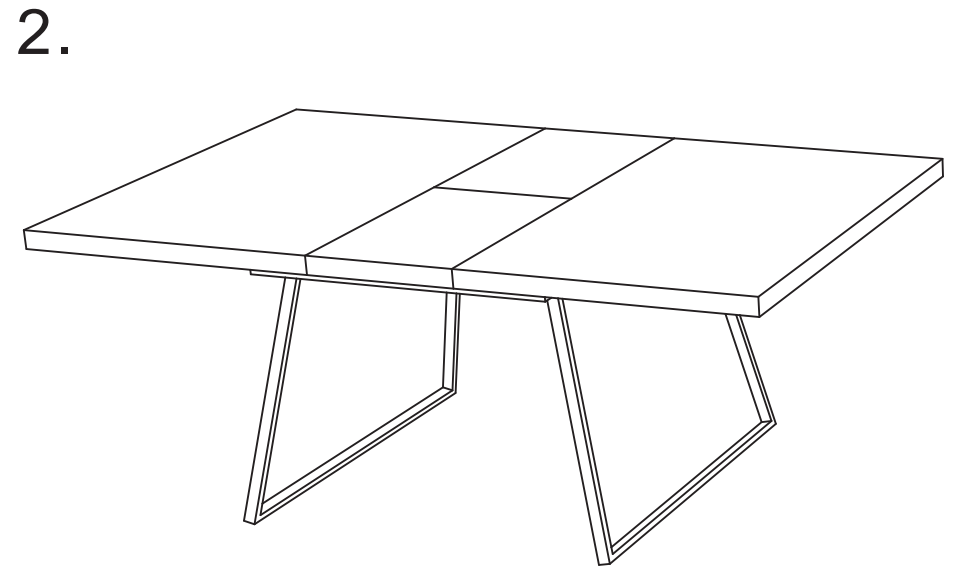
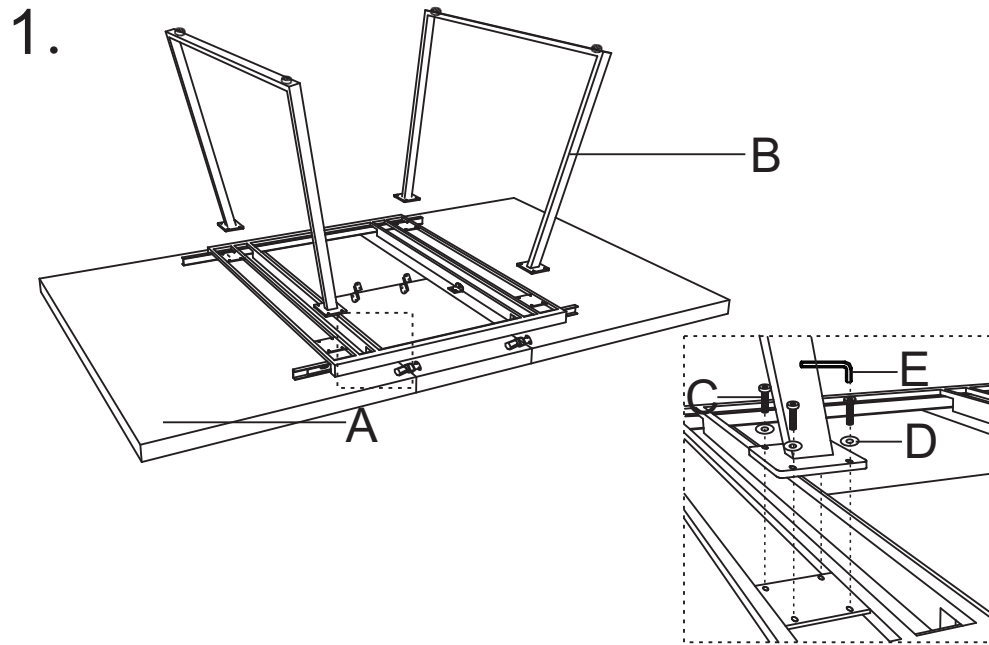


# ASSEMBLY INSTRUCTION



A	B	C	D	E
1	2	16	16	1