

# ASSEMBLY INSTRUCTION

1.X2PCS



2.X2PCS



3.X1PC



A.X4PCS



8\*40mm

B.X8PCS



8\*35mm

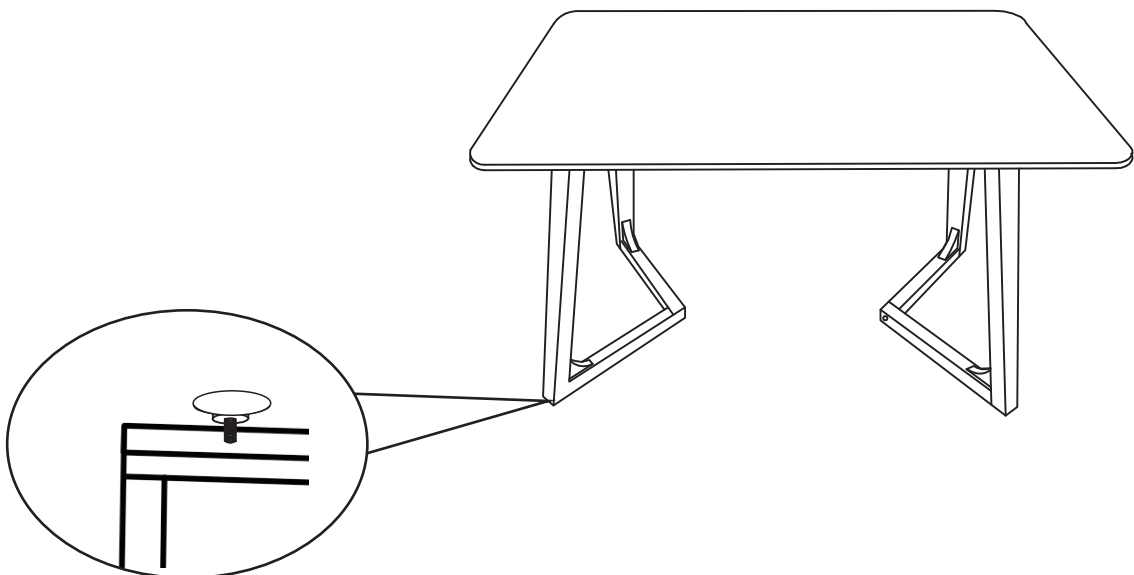
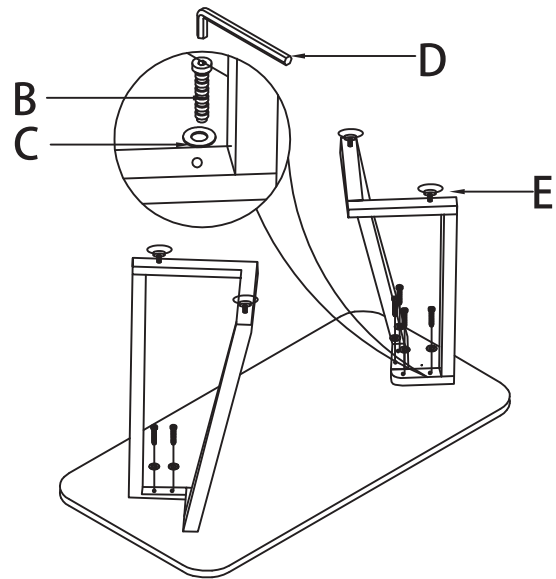
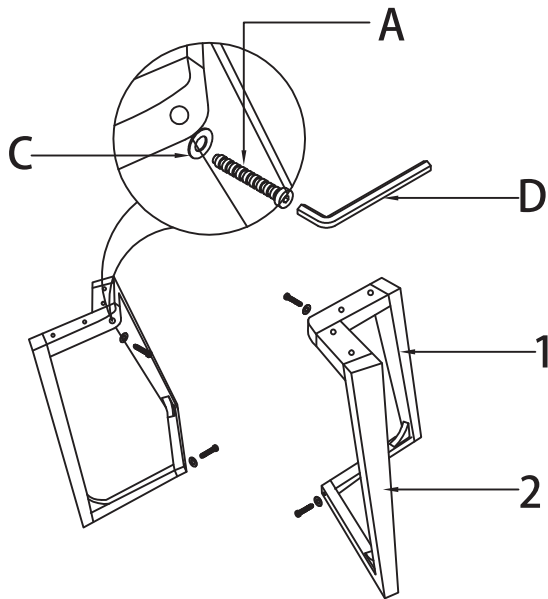
C.X12PCS



D.X1PC









E.X4PCS




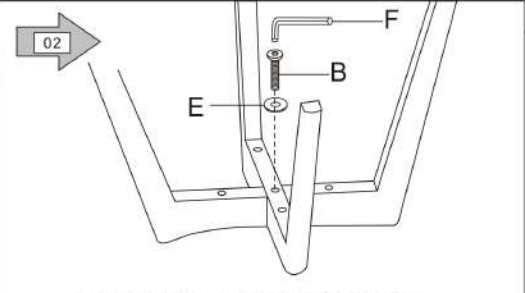
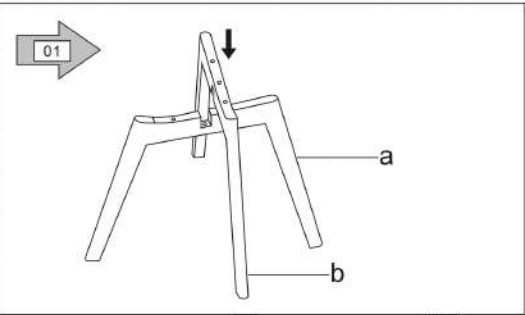
adjust the feet (E) to make the the table stable enough.



If any doubt please seek professional guidance and speak to your retailer.  
 “Please think of our Planet when discarding all packaging materials ”

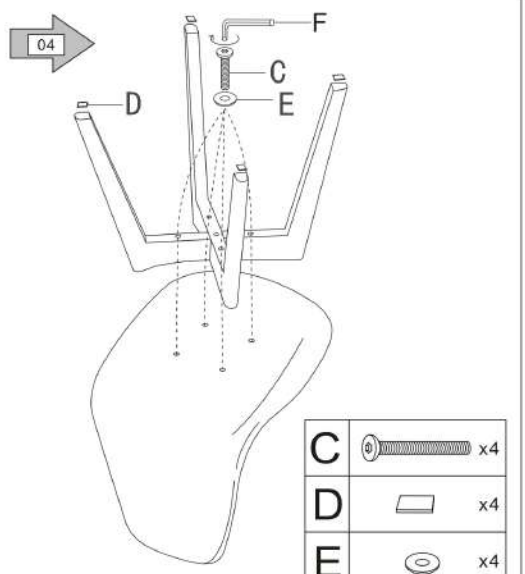
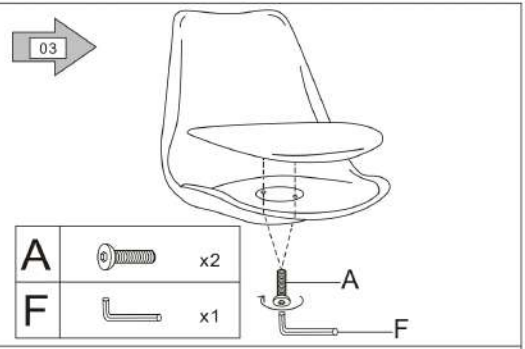
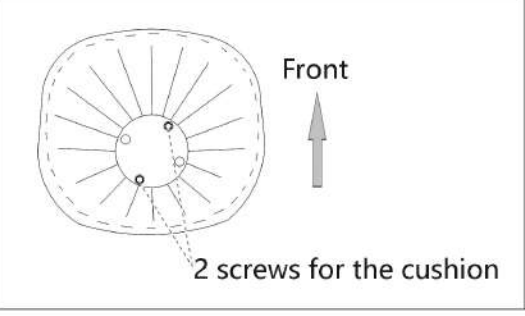
A		M6*30mm	x2
B		M6*40mm	x1
C		M6*50mm	x4
D			x4
E			x5
F		5#	x1

\*\*\* Use of power tool will invalidate your claim. 



\*Make the screw 90% tight.

B		x1	E		x1	F		x1
---	---	----	---	---	----	---	---	----



\*Make all screws 100% tight.