



FITTING AND OPERATING GUIDE
12V / 24V DC ELECTRIC RECOVERY WINCHES



SL 13,500lb (6,123kg)



SL 17,500lb (7,938kg)

**VERY IMPORTANT - YOU MUST READ AND UNDERSTAND THIS GUIDE BEFORE
INSTALLING AND OPERATING YOUR WINCH**

WINCHMAX LTD
WWW.WINCHMAX.CO.UK

English

Deutsch

Español

Français

Italiano

Technical

Thank you for buying a WINCHMAX brand winch. By using this product within its limitations and following the instructions provided you can expect many years of trouble-free service.

IMPORTANT

PLEASE READ AND UNDERSTAND THIS ENTIRE MANUAL BEFORE INSTALLING OR OPERATING THIS PRODUCT – FAILURE TO DO SO COULD RESULT IN DAMAGE TO PROPERTY, SERIOUS INJURY OR DEATH. UNDERTAKE A FULL SAFETY CHECK AND RISK ASSESSMENT BEFORE EACH USE.

Whilst we have attempted to provide comprehensive guidance for the safe operation of this winch, it remains the operator's responsibility to evaluate and minimise the potential risk before and during every operation. Keep these instructions for reference.

1. WARNINGS AND GENERAL SAFETY INFORMATION

- To prevent entanglement in moving parts, no loose clothing or jewellery should be worn.
- Good quality overalls, non-slip protective footwear, thick leather gloves and eye protection should be worn.
- It is the operator's responsibility to ensure he/she and all spectators remain at a safe distance. For spectators, this should be at least 1.5 times the rope length being used.
- Check your winch thoroughly, including all electrical connections before use. Any damaged parts should be replaced, using only genuine parts.
- Protect the winch from shock loads - do not allow the winch rope to be yanked by a rolling load or moving vehicle. Never drive your vehicle to assist the winch in any way.
- If a wire rope breaks or pulls loose under load it can lash back with significant force.
- With wire rope, it is a good idea to use a heavy winch blanket/damper draped over the rope towards the hook end to reduce whiplash in the event of rope failure. The vehicle bonnet can be raised to provide additional protection when operating from inside the vehicle.
- Do not use the winch if the rope is frayed or damaged.
- Never handle the hook directly. Always use hand-saver tab and protective gloves.
- Never hook the winch rope back on itself as this can damage the rope.
- Always electrically isolate the winch when not in use to protect against unintended operation.
- Do not use the winch as a hoist or for overhead lifting.
- Do not use the winch to lift, support or move personnel.
- Always ensure the winch rope re-spools tightly and evenly on to the drum. Do not allow cable bunching as this could damage the crossbars and winch casing.
- Do not use a synthetic rope with a roller fairlead designed for wire rope.



- Never approach the winch, hook, or cable if someone else is at the controls.
- Always be certain the anchor point can withstand the load and will not slip or fail.
- Protect the wireless remote from any possibility of accidental operation.
- Never apply load to a wire rope if it is kinked as doing so will deform or fracture the wire strands and cause permanent damage.

2. PHYSICAL INSTALLATION

WARNING: correct installation of your winch is vital for correct and safe operation.

2.1 INSTALLING CONTROL BOX (RECOMMENDED BEFORE FITTING WINCH TO VEHICLE)

- When mounting on a 4x4 with a possibility of deep water wading it is good practice to remote mount the control box up under the bonnet to protect the electrics from water.
- The control box can be mounted on the winch in two positions to give greater flexibility when mounting the winch.

On Cross Bars

Using the four M6 machine screws provided, secure the control box at each corner through the shaped brackets (Fig A).



Fig A

Offset Over Motor

To convert to over motor mounting first undo the fixing screws to remove the two bottom brackets (Fig B1). Use the same fixing screws to secure the supplied mounting bracket to the motor housing (Fig B2).

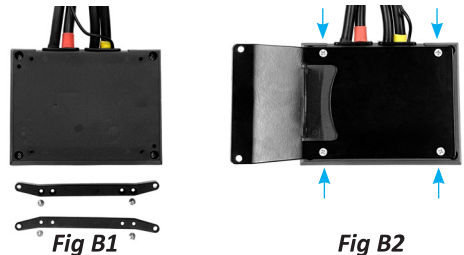


Fig B1

Fig B2

Then use two of the supplied M6 machine screws to secure the bracket into the two threaded holes on the motor side of the crossbar (Fig B3). The remaining two screws can be used to cap the threaded holes on the other side of the cross bars.



Fig B3

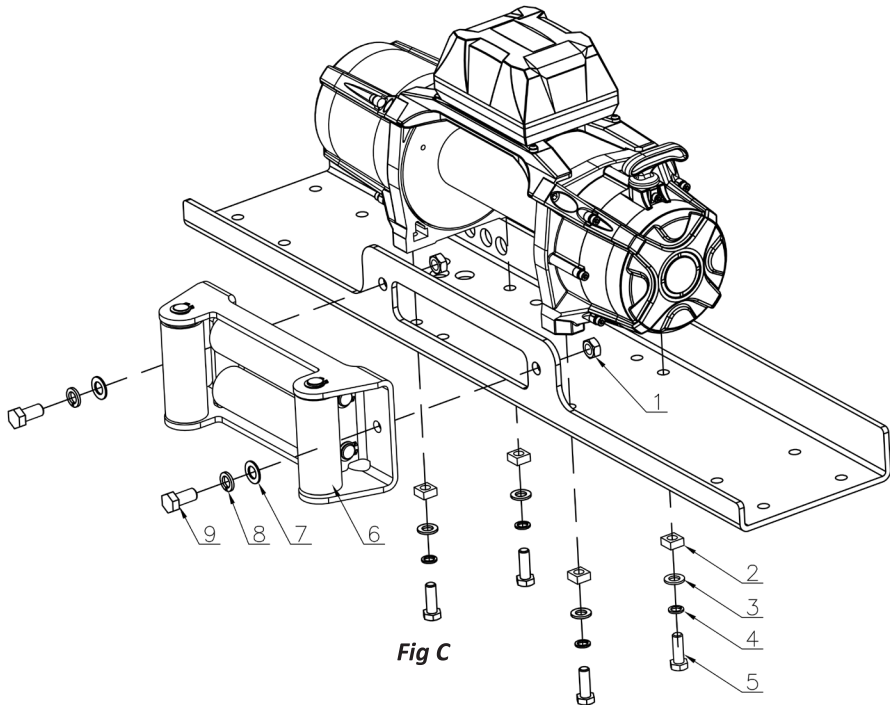


Fig C

2.2 MOUNTING THE WINCH (Fig C)

- Install a suitable mounting bumper or mounting plate in the required position. The winch must be mounted with the direction of pull perpendicular to the mounting bolt fixings. The plate should be fabricated from minimum 6mm steel.
- Attach fairlead (roller type for wire rope or aluminium hawse for synthetic rope) to the mounting plate using two nuts (9) & bolts (1) with flat (7) and spring (8) washers.
- Insert the four square nuts (2) into the pockets at the base of the winch frame.
- Thread the four high tensile bolts (5) with flat (3) and spring (4) washers up through the mounting plate and into the square nuts in the winch. Tighten the mounting bolts to a torque setting of 60Nm.
- The supplied bolts are the correct length for installation on a 5-7mm plate. Other thicknesses may require bolts of a different length. The required criteria are that the bolts are at least 8.8 grade high tensile, the thread length should be sufficiently long to fully engage the square nut but must not protrude to the extent that the bolt contacts the top of the nut housing in the winch frame.
- If the rope is pre-spoiled, feed the thimble eye on the hook end through the roller fairlead (6) from the winch side and attach the clevis hook. If you are installing a synthetic rope with a hawse fairlead or if the rope is fitted with a fixed competition hook, you will need to pull off the rope and then feed it back through from the front side of the fairlead.

- If the winch has a 'through the drum' type fixing, undo the Allen head grub screw and feed the end of the rope through the hole until it is visible on the other side, Secure the grub screw. If the winch has a flange type fixing then secure the ring terminal at the end of the rope using the pan head hex socket screw, but only finger tight to allow the fixing to swivel on the screw. Spool the rope as per Section 4.

3. ELECTRICAL INSTALLATION (Fig D)

- Ensure your battery is in good condition and can provide a minimum of 750 CCA.
- Route the supplied battery leads (long red lead from control box = Positive, separate long black lead = Negative) directly to the battery location. Ensure that the cable is protected throughout its run from heat and abrasion against sharp components.
- Connect the negative battery lead to the winch motor earth terminal (never use a chassis earth).
- Ensure that the small earth wire from the control box (this is the earth supply to the contactor) is connected to the battery fed winch motor earth terminal. Do not attempt to use a chassis earth.

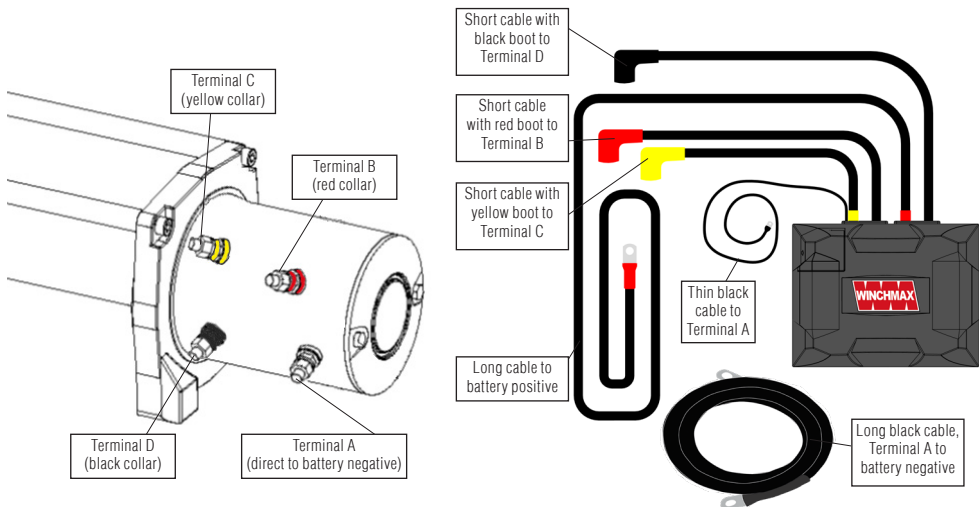


Fig D

- In the case of the 13500lb winch, now connect the remaining cables from the control box to the motor observing the colour-coded boots on the cable and corresponding colour-coded collars on the motor terminals.
- When you are satisfied that all other connections are correctly installed, connect the long red power lead to the positive terminal of the battery via an isolator switch and the overload cut out, if being used.

Note

- If you need to extend the cables, use minimum 40mm² flexible welding cables.
- Always fit a battery isolator switch to the positive supply line to allow for emergency stop and to prevent unintentional starting and to protect the winch if the vehicle is jump-started.
- All earth connections must be fed from the battery. Never attempt to use a chassis earth.
- Check all connections are secure and protected from corrosion with petroleum jelly, copper grease or similar.
- If there is an overload circuit breaker supplied, please mount this in line with the positive power cable (fix one end to the battery terminal, and connect the positive power cable to the winch on the other).
- Do not use a roller fairlead with synthetic rope as this can trap and damage the fibres



Fig E



Fig F



Remote Control

- The remote control is a combined wired / wireless unit in one with a removable lead.
- Once the winch has been set up then the remote hand control can be operated either in the WIRED OR WIRELESS mode.
- It is recommended that for the initial set-up of the winch (before applying any load) that the winch is operated in the WIRED mode.
- Take care when inserting the wireless remote plug into the control box socket. You must line up the socket end (Fig. E) with the groove in the socket (Fig. F).
- To use the remote hand controller in the WIRELESS mode, remove the control cable from the control box, unplug the remote hand controller from the control cable and press the MODE button on the remote hand controller until the green light marked WIRELESS is illuminated.
- Make sure the winch remote indicator light is in the correct mode before using it.
- Use the thumb switch to operate the winch 'IN' or 'OUT'.

4. SPOOLING THE ROPE

- We recommend the use of an assistant when spooling the rope.
- Spooling should be undertaken on a large open and level area.
- First, lay out the rope in front of the vehicle ensuring there are no twists or kinks.
- With the winch clutch disengaged, feed the drum terminal through the front of the roller/hawse fairlead and connect to the drum.
 - a) If the winch has a 'through the drum' type fixing, undo the Allen head grub screw and feed the end of the rope through the hole until it is visible on the other side. Secure the grub screw.
 - b) If the winch has a flange type fixing then secure the ring terminal at the end of the rope using the Allen head cap screw, but only tighten finger tight to allow the fixing to swivel on the screw.
- Attach the hook end to a suitable anchor point and position the vehicle so there is at least 3m of slack on the rope. Apply the vehicle hand brake.
- Holding the rope with gloved hands and at least 5m back from the winch apply as much pressure as you can by leaning your body weight against the rope and walking towards the winch whilst using the wired remote to wind in. Ensure that each wrap lays tightly next to the other until the rope tensions against the anchor point. There should be at least 6 wraps around the drum.
- The rope must be wound onto the drum from the bottom of the drum.
- Using the wired remote and whilst gently applying the vehicle foot brake to maintain tension, use the winch to pull the vehicle towards the anchor point.
- During the operation, regularly stop the winch, apply the handbrake to maintain tension and check the rope is evenly spooling onto the winch.
- If you have an assistant, they should remain in the vehicle to operate the brake, whilst you maintain control of the winch from outside the vehicle and using the wired remote.
- When the rope is all but approx. 3m spooled in, using the hand saver to hold the hook, reverse the winch slightly to allow the hook to be released.
- Maintaining tension on the rope, pulse the remote to take in the remaining rope and then anchor the hook onto a suitable mounting point on the vehicle.

Note

- It is important to understand that it is the first 6-8 tight wraps around the drum and NOT the drum terminal fixing point that allows the wire or synthetic rope to grip onto the drum.
- The drum fixing is not load-bearing, it is only designed to allow the cable to be wound on under sufficient load for it to wrap tightly onto the drum.
- When wire rope is new it is greasy and springy and can easily unwind on the drum if tension is ever released.
- If the outer wraps of a wire rope do 'unwind' then you must pull the whole rope out and re-spool under tension. Failure to observe this will result in failure of the drum fixing.

5. WINCH OPERATION

- Ensure the vehicle is secure by applying the parking brake or chocking wheels.
- Power out (for a short distance) or free-spool the cable out and connect to a suitable anchor point.
- Re-check all cable rigging before commencing.
- Plug in the winch hand controller and switch on the battery isolator. Feed the hand controller around the front of the vehicle and through the driver's window.
- To commence winching, start the vehicle engine and with the transmission in neutral operate the winch whilst guiding the path of the winch with the vehicle steering until free.
- You must ensure that the cable winds evenly onto the drum. Acute angle winching can result in rope bunching on the drum which could cause damage to the winch.
- When the operation has been completed, the rope should be pulled out and re-spoiled neatly under tension for the next use.

Note

- Your winch is not designed to be used continuously but instead to provide the high load short duration pulls required to recover an off-road vehicle from difficulty.
- Never allow the winch motor to stall.
- Whenever you operate your winch it will generate heat in the motor; high loading, long or repeated operation can cause the motor to overheat. Always monitor motor temperature. If the motor becomes too hot to comfortably put your hand on, stop operation immediately and allow to cool before further use.
- Do not exceed the maximum rated load of your winch.

- We recommend the use of a snatch block and double line technique for any loads exceeding 50% of the winch rating. Always anchor the hook back to suitable chassis fixing, not to the winch mounting plate.
- Keep the vehicle engine running while winching to maintain battery charge.
- A minimum of 6 tight wraps on the drum must be maintained to prevent failure of drum fixing. Do not pull the wire rope out past the red marking.
- Do not engage or disengage the clutch while under load or when the motor is running.
- Never drive your vehicle to assist the winch in any way.

6. MAINTAINING YOUR WINCH

- The winch should be exercised at least once a month: Power out approx. 10m of cable, free spool 5m, then power back in under a minimum 100kg load.
- Replace remote control batteries every 12 months or when exhausted.
- Keep a protective winch cover fitted when the winch is not in use.
- All moving parts are permanently lubricated with grease and with normal use do not need greasing for the life of the winch.
- Clean your winch after use. Use only low-pressure water and a brush to rinse off any dirt. Run the winch for a minute or two after cleaning to warm up the motor and assist in drying.
- Once dry, you should use a light spray oil to coat the winch and wire rope before installing the winch cover.
- The winch should not be immersed in dirty water.

7. SYNTHETIC ROPE

- Do not allow the rope to contact sharp or abrasive objects.
- Do not expose to strong detergents, fuels, oils or anti-freeze solutions.
- Avoid contact with high temperature surfaces e.g exhaust/engine.
- After use; pull out the rope, wash, dry and carefully re-spool onto the drum.

Troubleshooting

Symptom	Possible cause	Remedy
Winch will not operate	Loose, damaged or corroded wiring	Check all wiring and connections to ensure good condition
	Either wireless or wired controls defective	Test using another control system
	Winch supply battery inadequate	Check the voltage of the supply battery matches winch
	The motor has burnt out	Test motor by direct connection and replace if required
Runs in only one direction	Loose, damaged, or corroded wiring	Check all wiring and connections to ensure good condition
	Motor connection stud(s) have been overtightened and snapped internal weld	Replace motor
	Wander lead not correctly connected	Check wander lead is correctly inserted into the control box socket (& rotated to lock position if bayonet type)
Will not free spool	Free spool not disengaged	Disengage free spool
The load does not hold	Free spool not engaged	Engage free spool
	The brake unit has failed	Replace brake unit
	The winch rope has come off drum fixing	Re-fix rope to drum
Winch runs in opposite direction	Yellow and black terminal connections reversed	Swap connections to yellow and black terminals
	Wireless receiver output wires connected in reverse	Swap wireless receiver output wire connections
Motor runs extremely hot	A long period of operation	Stop operation to let the unit cool down
	Weight overload	Reduce load

WINCHMAX WARRANTY

<https://winchmax.co.uk/pages/warranty-registration>



Warranty

For warranty information and registration please visit www.winchmax.co.uk/warranty-registration or scan the QR code shown here.

Garantía

Para obtener información sobre la garantía y el registro, visite www.winchmax.co.uk/warranty-registration o escanee el código QR que se muestra aquí.

Garanzia

Per informazioni sulla garanzia e la registrazione, visitare il sito www.winchmax.co.uk/warranty-registration o scansionare il codice QR qui riportato.

Garantie

Pour obtenir des informations sur la garantie et l'enregistrement, veuillez consulter le site www.winchmax.co.uk/warranty-registration ou scanner le code QR indiqué ici.

Garantie

Für Garantieinformationen und Registrierung besuchen Sie bitte www.winchmax.co.uk/warranty-registration oder scannen Sie den hier gezeigten QR-Code.

EU RESPONSIBLE PERSON

Winchmax EURP BV
Kroonwiel 2, 6003BT Weert
Netherlands

EU COMPLIANCE DATA

<https://pcm.li/NJqIhKRN>



Vielen Dank, dass Sie eine Winde der Marke WINCHMAX gekauft haben. Wenn Sie dieses Gerät bestimmungsgemäß verwenden und sich an die Bedienungsanleitung halten, erwartet Sie viele Jahre lang ein störungsfreier Betrieb.

ACHTUNG: BITTE LESEN SIE SICH DIESES HANDBUCH VOLLSTÄNDIG DURCH, BEVOR SIE DAS GERÄT INSTALLIEREN ODER IN BETRIEB NEHMEN. NICHTBEACHTUNG KANN ZU SACHSCHÄDEN, SCHWEREN VERLETZUNGEN UND SOGAR ZUM TOD FÜHREN. KONTROLLIEREN SIE VOR JEDEM GEBRAUCH DIE SICHERHEIT UND FÜHREN EINE GEFAHREINSCHÄTZUNG DURCH.

Zwar geben wir hier eine umfassende Anleitung für den sicheren Betrieb dieser Winde, doch liegt es in der Verantwortung des Bedieners, die möglichen Gefahren vor und während jedes Einsatzes zu bewerten und zu minimieren. Heben Sie diese Anleitung zum Nachschlagen auf.

1. WARN- UND ALLGEMEINE SICHERHEITSHINWEISE

- Um ein Verhaken in beweglichen Teilen zu vermeiden, dürfen keine lose Kleidung oder Schmuck getragen werden.
- Sie müssen einen hochwertigen Overall, rutschfeste Sicherheitsschuhe, dicke Lederhandschuhe und eine Schutzbrille tragen.
- Es liegt in der Verantwortung des Betreibers, dafür zu sorgen, dass er/sie und alle Zuschauer einen Sicherheitsabstand einhalten. Dieser sollte mindestens das 1,5-fache der verwendeten Seillänge betragen.
- Überprüfen Sie Ihre Winde vor dem Gebrauch gründlich, einschließlich aller elektrischen Anschlüsse. Beschädigte Teile dürfen nur mit Originalteilen ersetzt werden.
- Schützen Sie die Winde vor Stoßbelastungen- lassen Sie nicht zu, dass das Windenseil von einer rollenden Last oder einem fahrenden Fahrzeug gezogen wird. Fahren Sie niemals mit Ihrem Fahrzeug, um die Winde in irgendeiner Weise zu unterstützen.
- Wenn ein Drahtseil reißt oder sich unter Last löst, kann es mit starker Wucht wie eine Peitsche zurückschlagen.
- Bei Drahtseilen ist es empfehlenswert, eine schwere Decke oder einen Dämpfer zu verwenden, die bzw. der zum Hakenende hin über das Seil gezogen wird, um bei einem Seilbruch eventuelle Peitschenhiebe zu dämpfen. Die Motorhaube des Fahrzeugs kann hochgeklappt werden, um zusätzlichen Schutz zu bieten, wenn Sie vom Fahrzeuginneren aus arbeiten.
- Verwenden Sie die Winde nicht, wenn das Seil ausgefranst oder beschädigt ist.
- Fassen Sie den Haken nie direkt an. Verwenden Sie immer Handschoner und Schutzhandschuhe.
- Hängen Sie das Windenseil niemals an sich selbst ein, da dies das Seil beschädigen kann.
- Trennen Sie die Winde bei Nichtgebrauch immer vom Strom, um sie vor unbeabsichtigtem Betrieb zu schützen.
- Verwenden Sie die Winde nicht als Hebezeug oder zum Anheben über Kopf.
- Verwenden Sie die Winde nicht, um Personen anzuheben, zu unterstützen oder zu bewegen.
- Stellen Sie immer sicher, dass das Windenseil fest und gleichmäßig auf der Trommel aufrollt. Lassen Sie keine Kabelbündel zu, da dies die Querstangen und das Windengehäuse beschädigen könnte..

- Verwenden Sie kein synthetisches Seil mit einer Rollenführung, die für Drahtseile ausgelegt ist.
- Nähern Sie sich niemals der Winde, dem Haken oder dem Kabel, wenn sich jemand anderes an der Steuerung befindet.
- Achten Sie immer darauf, dass der Anschlagpunkt der Belastung standhält und nicht verrutscht oder versagt.
- Schützen Sie die kabellose Fernbedienung vor jeder Möglichkeit eines unbeabsichtigten Betriebs.
- Belasten Sie niemals ein geknicktes Drahtseil, da dies zu einer Verformung oder einem Bruch der Drahtlitzen und damit zu dauerhaften Schäden führen kann.

2. MONTAGE

ACHTUNG: Die korrekte Montage Ihrer Winde ist entscheidend für den korrekten und sicheren Betrieb.

2.1 MONTAGE DER STEUEREINHEIT (empfohlen vor der Montage der Winde am Fahrzeug)

- Bei der Montage auf einem Allradfahrzeug mit der Möglichkeit, durch tiefes Wasser zu waten, ist es ratsam, die Steuereinheit ferngesteuert unter der Motorhaube zu montieren, um die Elektrik vor Wasser zu schützen.
- Die Steuereinheit kann in zwei Positionen an der Winde montiert werden und bietet so mehr Flexibilität bei deren Montage.

Auf Querstreben

Befestigen Sie die Steuereinheit mit den vier mitgelieferten M6-Maschinenschrauben an jeder Ecke in den dafür vorgesehenen Halterungen (Abb A).

Offset über Motor

Um auf die Montage über dem Motor umzustellen, lösen Sie zunächst die Befestigungsschrauben, um die beiden unteren Halterungen zu entfernen (Abb B1). Verwenden Sie die gleichen Befestigungsschrauben, um die mitgelieferte Halterung am Motorgehäuse zu befestigen (Abb B2).

Verwenden Sie dann zwei der mitgelieferten M6-Maschinenschrauben, um die Halterung in den beiden Gewindelöchern auf der Motorseite der Querstange zu befestigen (Abb B3). Die verbleibenden beiden Schrauben können dazu verwendet werden, die Gewindebohrungen auf der anderen Seite der Querstreben zu verschließen.



Abb A

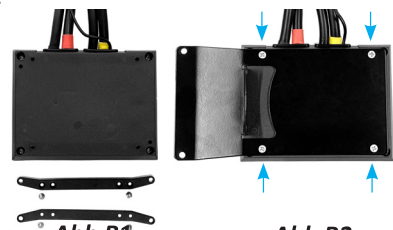


Abb B1

Abb B2



Abb B3

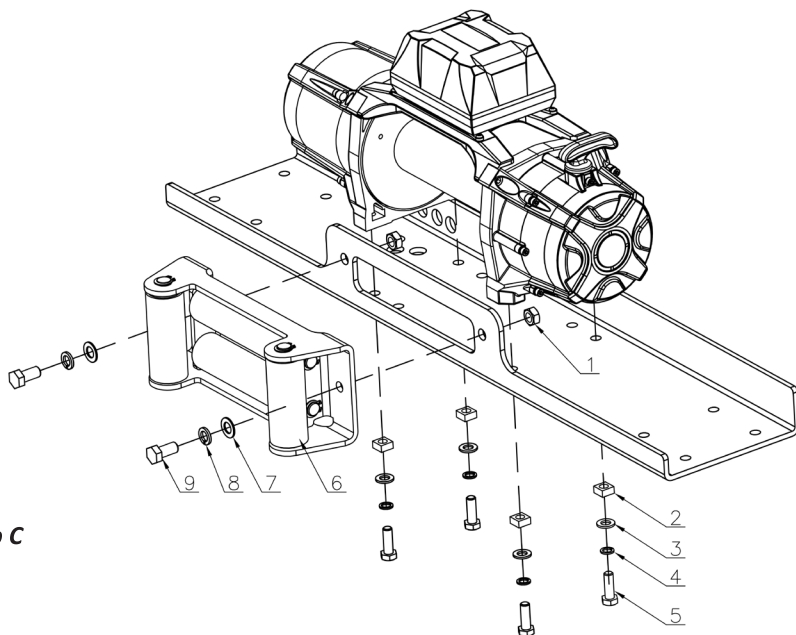


Abb C

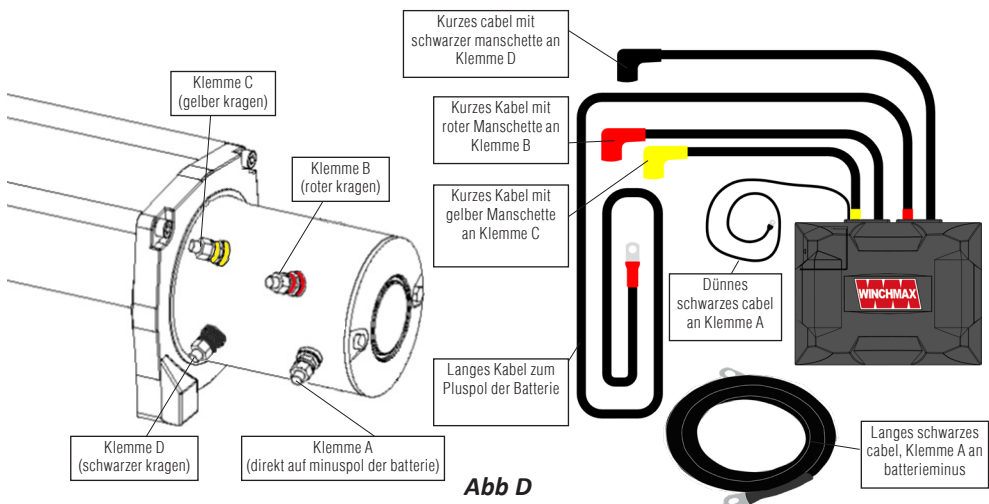
2.2 MONTAGE DER WINDE (Abb C)

- Installieren Sie einen geeigneten Montage-Stoßfänger oder eine Montageplatte in der erforderlichen Position. Die Winde ist mit Zugrichtung senkrecht zu den Befestigungsschrauben zu montieren. Die Platte sollte aus mindestens 6 mm Stahl gefertigt sein.
- Befestigen Sie die Klüsen (Rollen für Drahtseile oder Aluminiumklüsen für synthetische Seile) mit zwei Muttern (9) und Schrauben (1) mit Unterlegscheiben (7) und Federn (8) an der Montageplatte.
- Setzen Sie die vier Vierkantschrauben (2) in die Aussparungen an der Basis des Windenrahmens ein.
- Schrauben Sie die vier hochfesten Schrauben (5) mit Unterlegscheiben (3) und Federscheiben (4) durch die Montageplatte und in die Vierkantschrauben in der Winde. Ziehen Sie die Befestigungsschrauben mit einem Drehmoment von 60 Nm an.
- Die mitgelieferten Schrauben haben die richtige Länge für die Installation auf einer 6–7 mm dicken Platte. Bei anderen Dicken können unterschiedlich lange Schrauben erforderlich sein. Die geforderten Kriterien sind, dass die Schrauben mindestens die Festigkeitsklasse 8.8 aufweisen. Die Gewindelänge sollte ausreichend lang sein, um das Gewinde der Vierkantschrauben auszufüllen, ohne die Oberseite der Aussparung für die Befestigungsmutter in der Windenbasis zu berühren.
- Wenn das Seil bereits aufgewickelt ist, führen Sie die Kausche am Hakenende von der Windenseite aus durch die Rollenklammer (6) und befestigen den Gabelhaken. Wenn Sie ein synthetisches Seil mit einer Klüse montieren oder wenn das Seil mit einem festen Wettkampfhaken ausgestattet ist, müssen Sie das Seil abziehen und es dann von der Vorderseite der Klüse aus wieder einführen.

- Wenn die Winde über eine Befestigung durch die Trommel verfügt, lösen Sie die Inbusschraube und führen das Seilende durch das Loch, bis es auf der anderen Seite sichtbar ist. Sichern Sie die Madenschraube. Wenn die Winde über eine Flanscbefestigung verfügt, befestigen Sie die Ringklemme am Ende des Seils mit der Innensechskantschraube. Ziehen Sie diese jedoch nur fest an, damit sich die Befestigung auf der Schraube drehen kann. Wickeln Sie das Seil wie in Abschnitt 4 beschrieben auf.

3. ELEKTRISCHE INSTALLATION (Abb D)

- Versichern Sie sich, dass Ihre Batterie in gutem Zustand ist und mindestens einen Kaltstartstrom von 750 A liefern kann.
- Verlegen Sie die mitgelieferten Batteriekabel (langes rotes Kabel von der Steuereinheit = Plus / separates langes schwarzes Kabel = Minus) direkt zur Batterie. Achten Sie darauf, dass das Kabel während seines gesamten Verlaufs vor Hitze und Abrieb durch scharfe Teile geschützt ist..
- Schließen Sie das Minuskabel der Batterie an die Masseklemme des Windenmotors an (verwenden Sie niemals die Karosserie als Masse).



- Achten Sie darauf, dass das Erdungskabel der Steuereinheit (dies ist die Erdung des Schützes) mit der Erdungsklemme des batteriegespeisten Windenmotors verbunden ist. Erden Sie nicht über die Karosserie.
- Bei der 6.100-kg-Winde schließen Sie nun die restlichen Kabel von der Steuereinheit an den Motor an. Achten Sie dabei auf die farbcodierten Manschetten an den Kabeln und die entsprechenden farbcodierten Manschetten an den Motorklemmen.
- Wenn Sie sich davon überzeugt haben, dass alle anderen Anschlüsse korrekt installiert sind, schließen Sie das lange rote Netzkabel an den Pluspol der Batterie an (über einen Trennschalter und die Überlastabschaltung, falls verwendet).

Hinweis

- Wenn Sie die Kabel verlängern müssen, verwenden Sie Schweißkabel mit einem Querschnitt von mindestens 40 mm².
- Bringen Sie immer einen Batterietrennschalter an der positiven Zuleitung an, um einen Notstopp zu ermöglichen, ein unbeabsichtigtes Starten zu verhindern und die Winde zu schützen, wenn dem Fahrzeug Starthilfe gegeben wird.
- Alle Erdungsanschlüsse müssen von der Batterie gespeist werden. Erden Sie niemals über die Karosserie.
- Überprüfen Sie, ob alle Verbindungen sicher und vor Korrosion mit Vaseline, Kupferfett oder ähnlichem geschützt sind.
- Wenn ein Überlastschuttschalter mitgeliefert wird, montieren Sie diesen bitte in Linie mit der Plusversorgung (befestigen Sie ein Ende an der Batterieklemme und verbinden Sie die Pluszuleitung mit der Winde auf der anderen Seite).
- Verwenden Sie bei synthetischen Seilen keine Rollenklüsen, da diese die Fasern einklemmen und beschädigen können.



Fig E



Fig F



Fernsteuerung

- Die Fernbedienung ist eine kombinierte kabelgebundene und kabellose Einheit mit einem abnehmbaren Kabel.
- Nachdem die Winde eingerichtet ist, kann die Handfernbedienung entweder im KABELGEBUNDENEN oder DRAHTLOSEN Modus betrieben werden.
- Es wird empfohlen, die Winde bei der Ersteinrichtung (vor dem Aufbringen einer Last) im VERKABELTEN Modus zu betreiben.
- Seien Sie vorsichtig, wenn Sie den Stecker der drahtlosen Fernbedienung in die Buchse der Steuereinheit stecken. Sie müssen das Buchsenende (Abb. E) mit der Nut in der Buchse ausrichten (Abb. F).
- Um die Handfernbedienung im WIRELESS-Modus zu verwenden, ziehen Sie das Steuerkabel aus der Steuerbox, trennen Sie die Handfernbedienung vom Steuerkabel und drücken Sie die MODE-Taste auf der Handfernbedienung, bis das grüne Licht mit der Aufschrift WIRELESS aufleuchtet.
- Vergewissern Sie sich, dass die Anzeigeleuchte der Windenfernbedienung auf den richtigen Modus eingestellt ist, bevor Sie sie benutzen.
- Verwenden Sie den Daumenschalter, um die Winde 'IN' oder 'OUT' ZU betätigen.

4. AUFWICKELN DES SEILS

- Für das Aufwickeln des Seils ist ein Helfer zu empfehlen.
- Das Aufwickeln sollte auf einer großen offenen und ebenen Fläche erfolgen.
- Legen Sie zuerst das Seil vor das Fahrzeug und stellen Sie sicher, dass es keine Verwindungen oder Knicke gibt.
- Wenn die Windenkupplung gelöst ist, führen Sie die Trommelklemme durch die Vorderseite der Rollen-/Falkenmuffe und verbinden Sie sie mit der Trommel.
 - a) Wenn die Winde über eine Befestigung "durch die Trommel" verfügt, lösen Sie die Inbusschraube und führen das Seilende durch das Loch, bis es auf der anderen Seite sichtbar ist. Sichern Sie die Madenschraube.
 - b) Wenn die Winde über eine Flanschbefestigung verfügt, befestigen Sie die Ringklemme am Ende des Seils mit der Innensechskantschraube. Ziehen Sie diese jedoch nur fest an, damit sich die Befestigung auf der Schraube drehen kann.
- Befestigen Sie das Hakenende an einem geeigneten Ankerpunkt und positionieren Sie das Fahrzeug so, dass mindestens 3 m lockeres Seil übrig bleibt. Ziehen Sie die Handbremse des Fahrzeugs an.
- Tragen Sie Handschuhe und halten das Seil mindestens 5 m von der Winde entfernt. Üben Sie so viel Druck wie möglich aus, indem Sie sich mit Ihrem Körpergewicht auf das Seil stützen und auf die Winde zugehen, während Sie die Kabelfernbedienung zum Aufwickeln verwenden. Achten Sie darauf, dass die einzelnen Wicklungen eng aneinander anliegen, bis das Seil am Anschlagpunkt gespannt ist. Es sollten mindestens 6 Wicklungen um die Trommel sein.
- Das Seil muss von unten auf die Trommel aufgewickelt werden.
- verwenden Sie die kabelgebundene Fernbedienung und betätigen Sie die Fußbremse des Fahrzeugs vorsichtig, um die Spannung aufrechtzuerhalten. Ziehen Sie das Fahrzeug mit der Winde in Richtung des Anschlagpunkts.
- Halten Sie die Winde während des Betriebs regelmäßig an, ziehen Sie die Handbremse an, um die Spannung aufrechtzuerhalten, und prüfen Sie, ob das Seil gleichmäßig auf die Winde aufgewickelt wird.
- Wenn Sie einen Helfer haben, sollte dieser im Fahrzeug bleiben, um die Bremse zu betätigen, während Sie die Kontrolle über die Winde von außerhalb des Fahrzeugs und mit der kabelgebundenen Fernbedienung behalten.
- Wenn das Seil bis auf ca. 3 m aufgewickelt ist, halten Sie den Haken mit dem Handschoner fest und bewegen die Winde leicht rückwärts, um den Haken zu lösen.
- Halten Sie die Spannung auf dem Seil aufrecht, geben Sie der Fernbedienung einen Impuls, um das restliche Seil einzuziehen und verankern Sie dann den Haken an einem geeigneten Befestigungspunkt am Fahrzeug.

Hinweis

- Beachten Sie, dass die ersten 6–8 festen Umwicklungen um die Trommel und NICHT der Befestigungspunkt des Trommelterminals dafür sorgen, dass der Draht oder das synthetische Seil auf der Trommel hält.
- Die Trommelbefestigung ist nicht tragend. Sie ist nur so konzipiert, dass das Kabel unter ausreichender Last aufgewickelt werden kann, damit es sich fest auf die Trommel wickelt.
- Wenn das Drahtseil neu ist, ist es geschmiert und federnd und kann sich leicht auf der Trommel abwickeln, wenn die Spannung gelöst wird.
- Wenn sich die äußeren Windungen eines Drahtseils 'abwickeln', müssen Sie das gesamte Seil herausziehen und unter Spannung neu aufwickeln. Nichtbeachtung führt zum Versagen der Trommelbefestigung.

5. WINDENBETRIEB

- Achten Sie darauf, dass das Fahrzeug sicher steht, indem Sie die Feststellbremse anziehen oder die Räder verkeilen.
- Schalten Sie den Strom aus (für eine kurze Strecke) oder wickeln Sie das Kabel ab und verbinden Sie es mit einem geeigneten Anschlagpunkt.
- Kontrollieren Sie nochmals vor Beginn der Arbeiten die Verkabelung.
- Schließen Sie die Handsteuerung der Winde an und schalten den Batterietrennschalter ein. Führen Sie das Handsteuergerät um die Vorderseite des Fahrzeugs herum und durch das Fahrerfenster.
- Zum Starten der Winde lassen Sie den Motor des Fahrzeugs an und bedienen die Winde im Leerlauf, wobei Sie den Weg der Winde mit der Lenkung des Fahrzeugs so lenken, dass sie frei ist.
- Achten Sie darauf, dass das Kabel gleichmäßig auf die Trommel aufgewickelt wird. Wenn Sie die Winde in einem spitzen Winkel einsetzen, kann sich das Seil auf der Trommel verknäueln, was zu Schäden an der Winde führen kann.
- Wenn der Vorgang abgeschlossen ist, sollte das Seil herausgezogen und für die nächste Verwendung wieder ordentlich unter Spannung aufgerollt werden.

Hinweis

- Ihre Winde ist nicht für den Dauereinsatz konzipiert, sondern für die hohen Lasten, die für kurze Zeit benötigt werden, um ein Geländefahrzeug aus Schwierigkeiten zu bergen.
- Würgen Sie den Motor der Winde niemals ab.
- Wenn Sie Ihre Winde betätigen, erzeugt sie Wärme im Motor, hohe Belastung, langer oder wiederholter Betrieb kann dazu führen, dass der Motor überhitzt. Überwachen Sie immer die Motortemperatur. Wenn der Motor zu heiß wird, um ihn mit der Hand anzufassen, stoppen Sie den Betrieb sofort und lassen Sie ihn vor der weiteren Verwendung abkühlen.

- Überschreiten Sie nicht die maximale Nennlast Ihrer Winde.
- Wir empfehlen die Verwendung eines Flaschenzugs mit Umlenkrolle für alle Lasten, die 50% der Windenleistung überschreiten. Verankern Sie den Haken immer wieder an einer geeigneten Chassisbefestigung, nicht an der Windenmontageplatte.
- Lassen Sie den Motor des Fahrzeugs beim Windeneinsatz laufen, um die Batterie aufzuladen.
- Es müssen sich mindestens 6 dichte Wicklungen auf der Trommel befinden, um ein Versagen der Trommelbefestigung zu verhindern. Drahtseil nicht über die rote Markierung hinaus herausziehen.
- Kuppeln Sie unter Last oder bei laufendem Motor nicht ein oder aus.
- Fahren Sie niemals mit Ihrem Fahrzeug, um die Winde in irgendeiner Weise zu unterstützen.

6. WARTUNG IHRER WINDE

- Die Winde sollte mindestens einmal im Monat getestet werden: Stromlos machen, dann ca. 10 m Kabel herausziehen, 5 m aufwickeln, dann unter einer Last von mindestens 100 kg wieder einschalten.
- Ersetzen Sie die Fernbedienungs-batterien alle 12 Monate oder wenn sie erschöpft sind.
- Wenn die Winde nicht in Gebrauch ist, lassen Sie die Schutzabdeckung montiert.
- Alle beweglichen Teile sind dauerhaft mit Fett geschmiert und benötigen bei normalem Gebrauch für die Lebensdauer der Winde kein Fett.
- Reinigen Sie Ihre Winde nach dem Gebrauch. Verwenden Sie nur Wasser mit geringem Druck und eine Bürste, um den Schmutz abzuspülen. Lassen Sie die Winde nach der Reinigung ein oder zwei Minuten laufen, um den Motor aufzuwärmen und die Trocknung zu unterstützen.
- Nach dem Trocknen sollten Sie ein leichtes Sprühöl auf die Winde und das Drahtseil sprühen, bevor Sie die Windenabdeckung anbringen.
- Die Winde sollte nicht in schmutziges Wasser getaucht werden.

7. SYNTHETISCHE SEILE

- Achten Sie darauf, dass das Seil nicht mit scharfen oder scheuernden Gegenständen in Berührung kommt.
- Setzen Sie es nicht starken Reinigungsmitteln, Kraftstoffen, Ölen oder Frostschutzmitteln aus.
- Vermeiden Sie den Kontakt mit heißen Oberflächen, z. Auspuff/Motor.
- Ziehen Sie das Seil nach dem Gebrauch heraus, reinigen und trocknen es und wickeln es vorsichtig wieder auf die Trommel.

Fehlerbehebung

Symptom	Ursache	Abhilfe
Winde funktioniert nicht	Lose, beschädigte oder korrodierte Verkabelung	Überprüfen Sie alle Verkabelungen und Anschlüsse, um einen guten Zustand zu gewährleisten
	Entweder Funk- oder kabelgebundene Steuerung defekt	Test mit anderem Steuerungssystem
	Versorgungsbatterie der Winde unzureichend	Überprüfen Sie, ob die Spannung der Versorgungsbatterie mit der Winde übereinstimmt
	Der Motor ist durchgebrannt	Motor durch direkten Anschluss testen und bei Bedarf austauschen
Winde läuft nur in eine Richtung	Lose, beschädigte oder korrodierte Verkabelung	Überprüfen Sie alle Verkabelungen und Anschlüsse, um einen guten Zustand zu gewährleisten
	Der/die Motoranschlussbolzen wurde(n) zu fest angezogen und die innere Schweißnaht ist gebrochen	Motor ersetzen
	Kabelgebundene Fernbedienung nicht korrekt angeschlossen	Prüfen Sie, ob das Kabel richtig in die Buchse der Steuereinheit eingesteckt ist (und in die Verriegelungsposition gedreht ist, wenn es sich um einen Bajonettverschluss handelt)
Lässt sich nicht abwickeln	Freilauf nicht ausgeklinkt	Lösen Sie den Freilauf
Last hält nicht	Freilauf nicht eingerastet	Freilauf einrasten
	Bremse ist ausgefallen	Tauschen Sie die Bremse aus
	Das Seil hat sich von der Trommelbefestigung gelöst	Seil an Trommel neu fixieren

Winde läuft in die entgegengesetzte Richtung	Gelbe und schwarze Klemmenanschlüsse vertauscht	Vertauschen Sie die Anschlüsse an den gelben und schwarzen Klemmen
	Drahtlose Empfänger-Ausgangskabel in Rückwärtsrichtung verbunden	Tauschen Sie die Kabelanschlüsse des drahtlosen Empfängers
Motor läuft extrem heiß	Lange Betriebsdauer	Stoppen Sie den Betrieb, um das Gerät abkühlen zu lassen
	Gewichtsüberlastung	Last verringern

Deutsch

Gracias por comprar un cabrestante de la marca WINCHMAX. Si utiliza este producto dentro de sus limitaciones y sigue las instrucciones proporcionadas, puede esperar muchos años de servicio sin problemas.

IMPORTANTE

LEA Y ENTIENDA TODO ESTE MANUAL ANTES DE INSTALAR U OPERAR ESTE PRODUCTO- DE LO CONTRARIO, PODRÍA OCASIONAR DAÑOS A LA PROPIEDAD, LESIONES GRAVES O MUERTES. REALICE UNA PRUEBA DE SEGURIDAD COMPLETA Y UNA EVALUACIÓN DE RIESGOS ANTES DE CADA USO.

Si bien hemos intentado brindar una guía integral para la operación segura de este cabrestante, sigue siendo responsabilidad del operador evaluar y minimizar el riesgo potencial antes y durante cada operación. Guarde estas instrucciones para futuro uso.

1. ADVERTENCIAS E INFORMACIÓN GENERAL DE SEGURIDAD

- Para evitar enredos en las piezas móviles, no se deben usar prendas holgadas ni joyas.
- Se deben usar monos de buena calidad, calzado protector antideslizante, guantes gruesos de cuero y protección para los ojos.
- Es responsabilidad del operador asegurarse de que él/ella y todos los espectadores permanezcan a una distancia segura. Para los espectadores, debería ser al menos 1,5 veces la longitud de la cuerda que se está utilizando.
- Compruebe minuciosamente el cabrestante, incluidas todas las conexiones eléctricas, antes de usarlo. Todas las piezas dañadas deben ser reemplazadas utilizando únicamente piezas originales.
- Proteja el cabrestante de cargas de impacto- no permita que una carga rodante o un vehículo en movimiento tiren del cable del cabrestante. Nunca conduzca el vehículo para ayudar al cabrestante de ninguna manera.
- Si un cable de acero se rompe o se suelta bajo carga, el latigazo consecuente podría conllevar una cantidad significativa de fuerza.
- Con el cable de acero, es una buena idea utilizar una cobertura o amortiguador pesado para cabrestantes sobre el cable, hacia el extremo del gancho, para reducir el latigazo en caso de que falle el cable. El capó del vehículo podría levantarse para brindar protección adicional cuando se opera desde el interior del vehículo.
- No utilice el cabrestante si el cable está deshilachado o dañado.
- Nunca manipule el gancho directamente. Utilice siempre protectores de manos y guantes protectores.
- Nunca enganche el cable del cabrestante sobre sí mismo, ya que esto puede dañarlo.
- Siempre aisle eléctricamente el cabrestante cuando no esté en uso para protegerlo de operaciones no deseadas.
- No utilice el cabrestante como grúa o para izar por encima de la cabeza.
- No use el cabrestante para levantar, apoyar o mover personal.

- Asegúrese siempre de que el cable del cabrestante se vuelva a enrollar firme y uniformemente en el tambor. No permita que los cables se amontonen, ya que esto podría dañar las barras transversales y la carcasa del cabrestante.
- No utilice un cable sintético con una guía de rodillos diseñada para cables de acero.
- Nunca se acerque al cabrestante, gancho o cable si otra persona está al control del mismo.
- Asegúrese siempre de que el punto de anclaje pueda soportar la carga y no vaya a resbalar o fallar
- Proteja el control remoto inalámbrico de cualquier posibilidad de operación accidental.
- Nunca aplique carga a un cable de acero si está retorcido, ya que al hacerlo deformará o fracturará los hilos del cable y causará daños permanentes.

2. INSTALACIÓN FÍSICA

ADVERTENCIA: la correcta instalación de su cabrestante es vital para un funcionamiento correcto y seguro.

2.1 INSTALACIÓN DE LA CAJA DE CONTROL (recomendado antes de instalar el cabrestante en el vehículo)

- Cuando se monta en un 4x4 con posibilidad de vadear en aguas profundas, es una buena práctica montar remotamente la caja de control debajo del capó para proteger los componentes eléctricos del agua.
- La caja de control se puede montar en el cabrestante en dos posiciones para dar mayor flexibilidad al montar el cabrestante.



Fig A

En Barras Transversales

Con los cuatro tornillos para metales M6 provistos, asegure la caja de control en cada esquina a través de los soportes con forma (Fig A).

Compensación Sobre el Motor

Para convertir a montaje sobre motor, primero afloje los tornillos de fijación para quitar los dos soportes inferiores (Fig. B1). Utilice los mismos tornillos de fijación para fijar el soporte de montaje suministrado a la carcasa del motor (Fig. B2).

Luego use dos de los tornillos para metales M6 provistos para asegurar el soporte en los dos orificios roscados en el lado del motor de la barra transversal (Fig. B3). Los dos tornillos restantes se pueden usar para tapar los orificios roscados en el otro lado de las barras transversales.

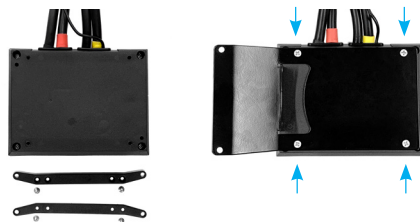


Fig B1

Fig B2



Fig B3

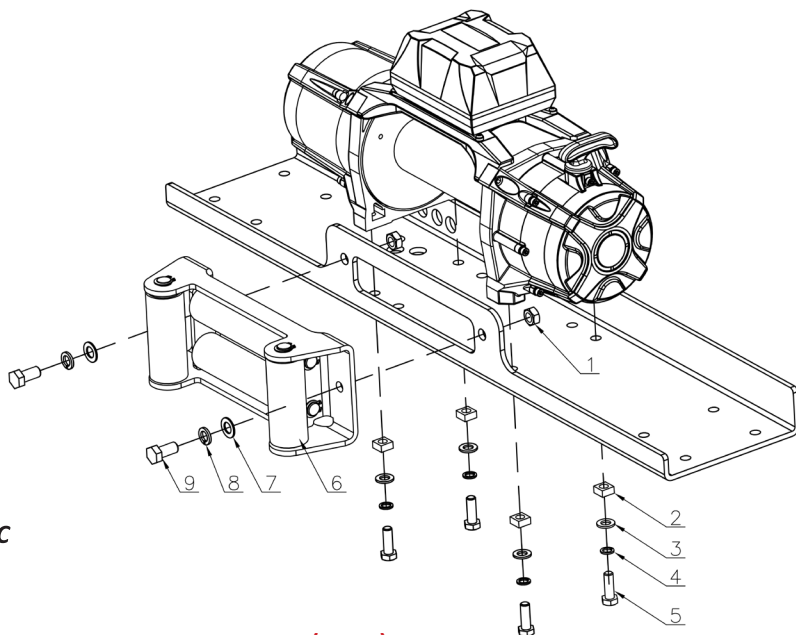


Fig C

2.2 MONTAJE DEL CABRESTANTE (FIG C)

- Instale un tope de montaje adecuado o una placa de montaje en la posición requerida. El cabrestante debe montarse con la dirección de tracción perpendicular a las fijaciones del perno de montaje. La placa debe fabricarse con acero de un mínimo de 6mm.
- Fije la guía (tipo rodillo para cable metálico o escobén de aluminio para cable sintético) a la placa de montaje usando dos tuercas (9) y pernos (1) con arandelas planas (7) y elásticas (8).
- Inserte las cuatro tuercas cuadradas (2) en los espacios en la base del armazón del cabrestante.
- Enrosque los cuatro pernos de alta resistencia (5) con arandelas planas (3) y elásticas (4) a través de la placa de montaje y dentro de las tuercas cuadradas en el cabrestante. Apriete los pernos de montaje a un torque de 60Nm.
- Los pernos suministrados tienen la longitud correcta para la instalación en una placa de 6-7mm. Otros espesores pueden requerir pernos de diferentes longitudes. Los criterios requeridos son que los pernos tengan una alta resistencia a la tracción de al menos 8,8 grados. La longitud de la rosca debe ser lo suficientemente larga para llenar la rosca de la tuerca cuadrada sin hacer contacto con la parte superior del espacio de la tuerca de montaje en la base del cabrestante.
- Si el cable está ya enrollado, pase el enganche del extremo a través de la guía de rodillos (6) desde el lado del cabrestante y conecte el gancho de horquilla. Si está instalando una cuerda sintética con una guía de escobén, o si la cuerda está equipada con un gancho de competición fijo, deberá tirar de la cuerda y luego pasarla por el lado frontal de la guía.

- Si el cabrestante tiene una fijación del tipo ‘a través del tambor’, afloje el tornillo sin cabeza Allen y pase el extremo del cable a través del orificio hasta que sea visible en el otro lado. Asegure el tornillo sin cabeza. Si el cabrestante tiene una fijación tipo brida, asegure el terminal de anillo en el extremo de la cuerda con el tornillo de cabeza Allen, pero solo con los dedos, para permitir que la fijación gire sobre el tornillo. Enrolle la cuerda según la Sección 4.

3. INSTALACIÓN ELÉCTRICA (Fig D)

- Asegúrese de que su batería esté en buenas condiciones y pueda proporcionar un mínimo de 750 CCA.
- Dirija los cables de la batería suministrados (cable rojo largo de la caja de control = positivo/cable negro largo separado = negativo) directamente a la ubicación de la batería.
- Conecte el cable negativo de la batería a la toma de tierra del motor del cabrestante (nunca use una toma de tierra del chasis).
- Asegúrese de que el pequeño cable de tierra de la caja de control (este es el suministro de tierra al contacto) esté conectado a la toma de tierra del motor del cabrestante alimentado por batería. No intente utilizar una toma de tierra del chasis.

Español

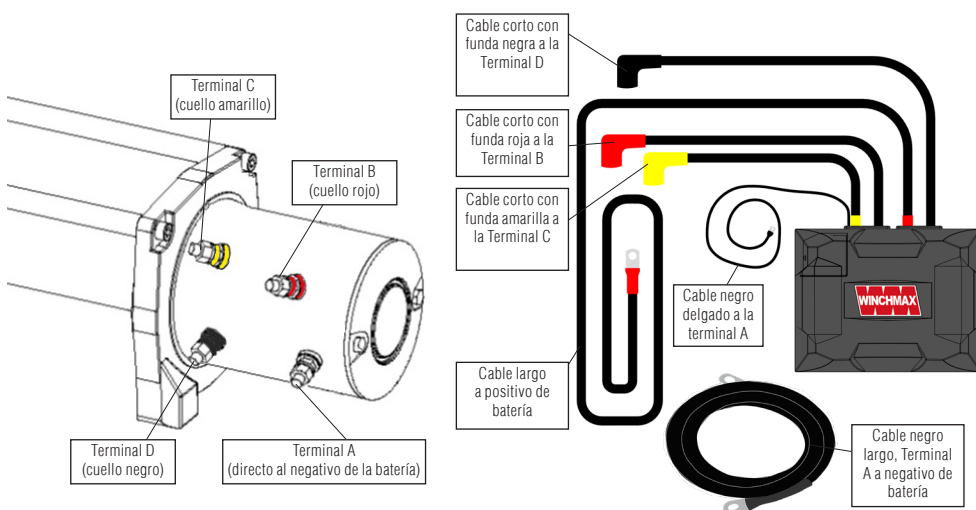


Fig D

- En el caso del cabrestante de 13500 lb, conecte los cables restantes de la caja de control al motor observando las fundas codificadas por colores en el cable y los puertos codificados por colores correspondientes en las terminales del motor.
- Cuando esté satisfecho de que todas las demás conexiones están instaladas correctamente, conecte el cable de alimentación rojo largo al terminal positivo de la batería (a través de un interruptor aislador y el interruptor de sobrecarga, si se está utilizando).

Nota

- Si necesita alargar los cables, utilice cables de soldadura flexibles de un mínimo de 40 mm².
- Instale siempre un interruptor aislador de batería en la línea de alimentación positiva para permitir una parada de emergencia y evitar arranques no intencionados, al igual que para proteger el cabrestante si el vehículo se arranca con puentes.
- Todas las conexiones a tierra deben ser alimentadas desde la batería. Nunca intente utilizar una conexión a tierra del chasis.
- Verifique que todas las conexiones estén seguras y protegidas contra la corrosión con vaselina, grasa de cobre o similar.
- Si se suministra un disyuntor de sobrecarga, móntelo en línea con el suministro positivo (fije un extremo al terminal de la batería y conecte el cable de suministro positivo al cabrestante en el otro).
- No utilice una guía de rodillos con cuerda sintética, ya que esto puede atrapar y dañar las fibras.



Fig E



Fig F



Control Remoto

- El control remoto es una unidad combinada alámbrica/inalámbrica en una con un cable extraíble.
- Una vez que se haya configurado el cabrestante, el control manual remoto se puede operar en modo CON CABLE o INALÁMBRICO.
- Se recomienda que para la configuración inicial del cabrestante (antes de aplicar ninguna carga) el cabrestante se opere en el modo CON CABLE.
- Tenga cuidado al insertar el enchufe del control remoto inalámbrico en el enchufe de la caja de control. Debe alinear el extremo del enchufe (Fig. E) con la ranura del enchufe (Fig. F).
- Para usar el controlador manual remoto en el modo INALÁMBRICO, retire el cable de control de la caja de control, desenchufe el controlador manual remoto del cable de control y presione el botón MODO en el controlador manual remoto, hasta que se ilumine la luz verde marcada como INALÁMBRICO.
- Asegúrese de que la luz del indicador remoto del cabrestante esté en el modo correcto antes de usarlo.
- Use el interruptor de pulgar para operar el cabrestante 'DENTRO' o 'FUERA'.

4. ENROLLAR LA CUERDA

- Recomendamos el uso de un asistente al enrollar la cuerda.
- El enrollado debe realizarse en una gran área abierta y nivelada.
- Primero, extienda la cuerda frente al vehículo asegurándose de que no haya torceduras ni salientes.
- Con el embrague del cabrestante desacoplado, pase el terminal del tambor por la parte delantera de la guía del escobén/rodillo y conéctelo al tambor.
 - a) Si el cabrestante tiene una fijación tipo 'a través del tambor', afloje el tornillo sin cabeza de cabeza Allen y pase el extremo del cable a través del orificio hasta que sea visible en el otro lado. Asegure el tornillo sin cabeza.
 - b) Si el cabrestante tiene una fijación de tipo brida, asegure el terminal de anillo en el extremo del cable con el tornillo de cabeza Allen, pero apriételo solo con los dedos para permitir que la fijación gire sobre el tornillo.
- Fije el extremo del gancho a un punto de anclaje adecuado y coloque el vehículo de manera que haya al menos 3 m de holgura en la cuerda. Aplique el freno de mano del vehículo.
- Sosteniendo el cable con las manos (y guantes), y al menos a 5 m del cabrestante, aplique tanta presión como pueda apoyando el peso de su cuerpo contra el cable y caminando hacia el cabrestante mientras usa el control remoto con cable para enrollarlo. Asegúrese de que las vueltas están apretadas unas sobre las otras hasta que la cuerda se tense contra el punto de anclaje. Debe haber al menos 6 vueltas alrededor del tambor.
- La cuerda debe enrollarse en el tambor desde la parte inferior del tambor.
- Usando el control remoto con cable y mientras aplica suavemente el freno de pie del vehículo para mantener la tensión, use el cabrestante para tirar del vehículo hacia el punto de anclaje.
- Durante la operación, detenga regularmente el cabrestante, aplique el freno de mano para mantener la tensión y verifique que el cable se enrolla uniformemente en el cabrestante.
- Si tiene un asistente, debe permanecer en el vehículo para accionar el freno, mientras usted mantiene el control del cabrestante desde el exterior del vehículo y utilizando el mando a distancia con cable.
- Cuando al cable le queden aprox. 3m sin enrollar, utilizando el protector de mano para sujetar el gancho, invierta ligeramente el cabrestante para permitir que se suelte el gancho.
- Manteniendo la tensión en el cable, presione el control remoto para retraer el cable restante y luego ancle el gancho en un punto de montaje adecuado en el vehículo.

Nota

- Es importante entender que son las primeras 6-8 vueltas ajustadas alrededor del tambor y NO el punto de fijación del terminal del tambor lo que permite que el cable o la cuerda sintética se adhiera al tambor.
- La fijación del tambor no está capacitada para cargas. Solo está diseñado para permitir que el cable se enrolle con suficiente carga para que se envuelva firmemente en el tambor.
- Cuando el cable de acero es nuevo estará grasiento y elástico, y puede desenrollarse fácilmente en el tambor si alguna vez se libera la tensión.
- Si las vueltas exteriores de un cable de acero se “desenrollan”, debe tirar de todo el cable y volver a enrollarlo bajo tensión. El incumplimiento de esto resultará en la daño a la fijación del tambor.

5. OPERACIÓN DEL CABRESTANTE

- Asegúrese de que el vehículo esté seguro aplicando el freno de mano o bloqueando las ruedas.
- Apague (por una distancia corta) o enrolle libremente el cable y conéctelo a un punto de anclaje adecuado.
- Vuelva a revisar todo el cableado antes de comenzar.
- Enchufe el controlador manual del cabrestante y encienda el aislador de batería. Pase el controlador manual por la parte delantera del vehículo y a través de la ventanilla del conductor.
- Para comenzar a usar el cabrestante, arranque el motor del vehículo y con la transmisión en punto muerto opere el cabrestante mientras guía su trayectoria con la dirección del vehículo hasta que quede libre.
- Debe asegurarse de que el cable se enrolle uniformemente en el tambor. Recogerlo con ángulo agudo puede provocar que el cable se amontone en el tambor, lo que podría dañar el cabrestante.
- Cuando se haya completado la operación, se debe sacar la cuerda y volver a enrollarla cuidadosamente bajo tensión para el próximo uso.

Nota

- El cabrestante no está diseñado para uso continuado, sino para proporcionar los tirones de alta carga y corta duración necesarios para sacar a un vehículo fuera de la carretera de dificultades.
- Nunca permita que el motor del cabrestante se detenga.
- Cada vez que opere su cabrestante, generará calor en el motor, las altas cargas, operación prolongada o repetida pueden hacer que el motor se sobrecaliente. Supervise siempre la temperatura del motor. Si el motor se calienta lo bastante para que no pueda tocarlo cómodamente, detenga el funcionamiento inmediatamente y deje que se enfríe antes de seguir usándolo.

- No exceda la carga nominal máxima de su cabrestante.
- Recomendamos el uso de una polea de arranque y una técnica de doble línea para cualquier carga que exceda el 50% de la clasificación del cabrestante. Ancle siempre el gancho en la fijación adecuada del chasis, no en la placa de montaje del cabrestante.
- Mantenga el motor del vehículo en marcha mientras usa el cabrestante para mantener la carga de la batería.
- Se debe mantener un mínimo de 6 vueltas apretadas en el tambor para evitar daños a la fijación del tambor. No tire del cable más allá de la marca roja.
- No embrague ni desembrague mientras esté bajo carga o cuando el motor esté funcionando.
- Nunca conduzca su vehículo para ayudar al cabrestante de ninguna manera.

6. MANTENIMIENTO DE SU CABRESTANTE

- El cabrestante se debe ejercitar al menos una vez al mes: Desenrolle aprox. 10 m de cable, suelte libremente 5 m, luego traiga de vuelta una carga mínima de 100 kg.
- Reemplace las baterías del control remoto cada 12 meses o cuando se agoten.
- Mantenga la cubierta protectora del cabrestante instalada cuando el cabrestante no esté en uso.
- Todas las piezas móviles están permanentemente lubricadas con grasa y, con un uso normal, no necesitan engrasarse durante la vida útil del cabrestante.
- Limpie el cabrestante después de su uso. Use solo agua a baja presión y un cepillo para enjuagar la suciedad. Haga funcionar el cabrestante durante uno o dos minutos después de la limpieza para calentar el motor y ayudar en el secado.
- Una vez seco, debe usar un aceite en aerosol ligero para cubrir el cabrestante y el cable antes de instalar la cubierta del cabrestante.
- El cabrestante no debería sumergirse en agua sucia.

7. CABLE SINTÉTICO

- No permita que el cable entre en contacto con objetos afilados o abrasivos.
- No lo exponga a detergentes fuertes, combustibles, aceites o soluciones anticongelantes.
- Evite el contacto con superficies calientes, p. escape/motor.
- Después de su uso; tire del cable, lávelo, séquelo y vuelva a enrollarlo con cuidado en el tambor.

Solución de Problemas

Síntoma	Causa	Remedio
El cabrestante no funciona	Cableado suelto, dañado o corroído	Compruebe todo el cableado y las conexiones para asegurarse de que estén en buenas condiciones
	Los controles inalámbricos o cableados están defectuosos	Pruebe a usar otro sistema de control
	Batería de alimentación del cabrestante inadecuada	Verifique que el voltaje de la batería de suministro coincida con el cabrestante
	El motor se ha quemado	Pruebe el motor mediante conexión directa y reemplácelo de ser necesario
El cabrestante funciona en una sola dirección	Cableado suelto, dañado o corroído	Compruebe todo el cableado y las conexiones para asegurarse de que estén en buenas condiciones.
	Los pasadores de conexión del motor se apretaron demasiado y rompieron la soldadura interna	Reemplace el motor
	El cable de derivación no está correctamente conectado	Verifique que el cable de derivación esté insertado correctamente en el enchufe de la caja de control (y girado a la posición de bloqueo de ser tipo de bayoneta)
El cable no se suelta libremente	Bobina libre no desactivada	Desconecte la bobina libre
La carga no aguanta	Bobina libre no activada	Active la bobina libre
	La unidad de freno ha fallado	Reemplace la unidad de freno
	El cable del cabrestante se ha soltado de la fijación del tambor	Vuelva a fijar la cuerda al tambor

El cabrestante funciona en la dirección opuesta	Conexiones de terminales amarillas y negras invertidas	Cambie las conexiones a los terminales amarillo y negro
	Cables de salida del receptor inalámbrico conectados al revés	Cambie las conexiones de cable de salida del receptor inalámbrico
El motor está extremadamente caliente	Largo período de operación	Detenga la operación para dejar que la unidad se enfríe
	Sobrecarga de peso	Reduzca el carga

Nous vous félicitons d'avoir acheté un treuil de la marque WINCHMAX. En respectant les restrictions d'utilisation de ce produit et en suivant les instructions fournies, vous pouvez vous attendre à de nombreuses années de fonctionnement sans rencontrer de problèmes.

IMPORTANT : VEUILLEZ LIRE ET BIEN COMPRENDRE CE MANUEL DANS SON INTÉGRALITÉ AVANT D'INSTALLER OU D'UTILISER CE PRODUIT - LE NON-RESPECT DE CETTE CONSIGNE PEUT ENTRAÎNER DES DOMMAGES MATÉRIELS, DES BLESSURES GRAVES VOIRE DES DÉCÈS. EFFECTUEZ UN CONTRÔLE DE SÉCURITÉ ET UNE ÉVALUATION DES RISQUES COMPLETS AVANT TOUTE UTILISATION.

Bien que nous ayons tenté de fournir des conseils complets pour une utilisation en toute sécurité de ce treuil, il incombe toujours à l'opérateur d'évaluer et de minimiser les risques potentiels avant et au cours de chaque opération. Conservez ces consignes à titre de référence.

1. AVERTISSEMENTS ET INFORMATIONS GÉNÉRALES DE SÉCURITÉ

- Afin d'éviter tout risque de se coincer dans les pièces mobiles, évitez le port de vêtements amples ou de bijoux.
- Il est recommandé de porter une combinaison de bonne qualité, des chaussures de protection antidérapantes, des gants en cuir épais ainsi que des lunettes de protection.
- Il est de la responsabilité de l'opérateur de s'assurer qu'il/elle et tous les témoins restent à une distance sûre. Pour les témoins, cette distance doit être au moins égale à 1,5 fois la longueur de la corde utilisée.
- Avant toute utilisation, vérifiez soigneusement votre treuil, y compris toutes les connexions électriques. Toute pièce endommagée doit être remplacée, avec uniquement des pièces d'origine.
- Protégez le treuil contre les chocs - ne laissez pas le câble du treuil être entraîné par une charge roulante ou un véhicule en mouvement. Ne conduisez jamais votre véhicule afin d'assister le treuil de quelque manière que ce soit.
- Si un câble métallique se rompt ou se relâche sous le poids de la charge, il peut se rétracter avec une force importante.
- Dans le cas d'un câble métallique, il est conseillé d'utiliser une couverture/ amortisseur de treuil lourd(e) drapé(e) sur le câble vers l'extrémité du crochet afin de diminuer le coup de fouet en cas de rupture du câble. Le capot du véhicule peut être relevé afin de fournir une protection supplémentaire pour les opérations effectuées depuis l'intérieur du véhicule.
- Ne pas utiliser le treuil si le câble est effiloché ou endommagé.
- Ne manipulez jamais directement le crochet. Toujours utiliser une languette de protection pour les mains ainsi que des gants de protection.
- N'accrochez jamais le câble du treuil sur lui-même, au risque d'endommager le câble.
- Veillez à toujours isoler électriquement le treuil lorsqu'il n'est pas utilisé afin de le protéger contre tout fonctionnement involontaire.
- Ne pas utiliser le treuil comme palan ou pour le levage en hauteur.
- Ne pas utiliser le treuil pour soulever, soutenir ou déplacer des personnes.
- Veillez toujours à ce que le câble du treuil s'enroule à nouveau de façon serrée et uniforme sur le tambour. Ne laissez pas les câbles s'enrouler car cela pourrait endommager les barres transversales et le boîtier du treuil.

- Ne pas utiliser un câble synthétique avec un guide-câble à rouleaux conçu pour un câble métallique.
- Ne vous approchez jamais du treuil, du crochet ou du câble si une autre personne est aux commandes.
- Assurez-vous toujours que le point d'ancrage peut supporter la charge et qu'il ne glissera pas ou ne cédera pas.
- Protégez la commande à distance sans fil contre toute possibilité d'utilisation accidentelle.
- N'appliquez jamais de charge à un câble métallique s'il est plié, au risque de déformer ou de fracturer les torons du câble et de causer des dégâts irréversibles.

2. INSTALLATION MATÉRIELLE

ATTENTION : L'installation correcte de votre treuil est essentielle pour un fonctionnement adéquat et en toute sécurité.

2.1 INSTALLATION DU BOÎTIER DE COMMANDE (recommandé avant le montage du treuil sur le véhicule)

- En cas de montage sur un 4x4 avec probabilité de passage en eau profonde, il est recommandé de monter le boîtier de commande à distance sous le capot afin de mettre les circuits électriques à l'abri de l'eau.
- Le boîtier de commande peut être monté sur le treuil en deux positions afin d'offrir une plus grande flexibilité lors du montage du treuil.

Sur barres transversales

À l'aide des quatre vis à métaux M6 fournies, fixez le boîtier de commande à chacun des angles à travers les supports profilés (Fig. A).



Fig A

Décalage sur le moteur

Afin de passer à un montage sur le moteur, commencez par défaire les vis de fixation afin de retirer les deux supports inférieurs (Fig. B1). Utilisez les mêmes vis de fixation afin de fixer le support de montage fourni au boîtier du moteur (Fig. B2). Utilisez les mêmes vis de fixation afin de fixer le support de montage fourni au boîtier du moteur (Fig. B2).

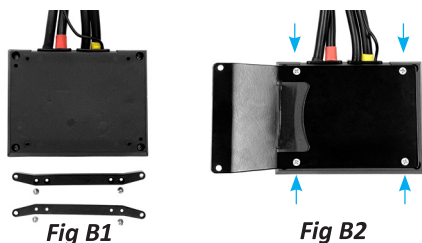


Fig B1

Fig B2

Utilisez ensuite deux des vis d'assemblage M6 fournies afin de fixer le support dans les deux trous filetés du côté du moteur de la barre transversale (Fig. B3). Les deux vis restantes peuvent être utilisées pour coiffer les trous filetés de l'autre côté des barres transversales.



Fig B3

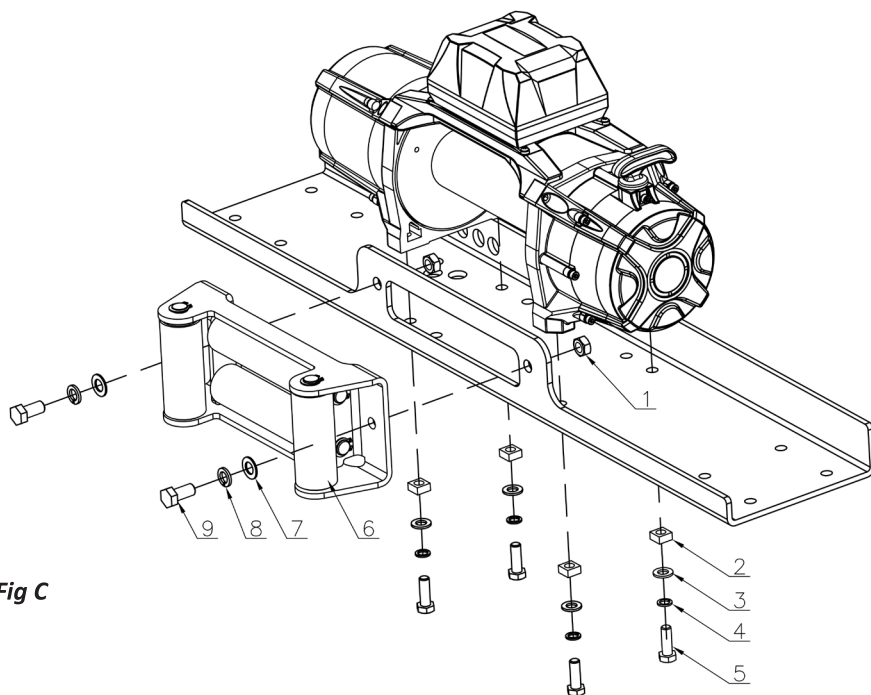


Fig C

2.2 MONTAGE DU TREUIL (FIG C)

- Installez un pare-chocs ou une plaque de montage adaptés dans la position requise. Le treuil doit être monté avec la direction de la traction perpendiculaire aux fixations des boulons de montage. La plaque doit être réalisée en acier de 6 mm minimum.
- Fixez le guide-câble (à rouleau pour les câbles métalliques ou en aluminium pour les câbles synthétiques) à la plaque de montage à l'aide de deux écrous (9) et de boulons (1) avec des rondelles plates (7) et à ressort (8).
- Insérez les 4 écrous carrés (2) dans les logements situés à la base du cadre du treuil.
- Enfilez les quatre boulons à haute résistance (5) avec les rondelles plates (3) et à ressort (4) à travers la plaque de montage et dans les écrous carrés du treuil. Serrez les boulons de montage en exerçant un couple de 60 Nm.
- Les boulons fournis ont une longueur adaptée à l'installation sur une plaque de 6-7 mm. D'autres épaisseurs peuvent nécessiter des boulons de longueurs différentes. Les boulons doivent être au moins de qualité 8,8 à haute résistance à la traction. La longueur du filetage doit être suffisante pour combler le filet de l'écrou carré sans entrer en contact avec le haut de la goulotte de l'écrou de montage dans la base du treuil.
- Si le câble est pré-enroulé, faites passer l'œillet de l'extrémité du crochet à travers le guide-câble à rouleaux (6) depuis le côté du treuil et fixez le crochet à verrouillage à chape. Si vous installez un cordage synthétique avec un guide-câble à écubier ou si le cordage est équipé d'un crochet fixe, il vous faudra retirer le câble et le faire repasser par l'avant du guide-câble.

- Si le treuil est équipé d'une fixation de type « traversant le tambour », dévissez la vis sans tête Allen et faites passer l'extrémité du câble dans le trou jusqu'à ce qu'elle soit visible de l'autre côté, puis fixez la vis sans tête. Si le treuil est équipé d'une fixation de type bride, fixez la borne annulaire à l'extrémité du câble à l'aide de la vis à tête cylindrique à six pans creux, mais en serrant à la main uniquement afin de permettre à la fixation de pivoter sur la vis. Enroulez le câble conformément à la section 4.

3. INSTALLATION ELECTRIQUE (Fig D)

- Assurez-vous que votre batterie est en bon état et qu'elle peut fournir un minimum de 750 CCA.
- Raccordez les câbles de batterie fournis (long câble rouge du boîtier de commande = positif/ long câble noir séparé = négatif) directement à l'emplacement de la batterie. Veillez à ce que le câble soit protégé sur toute sa longueur contre la chaleur et l'abrasion par des éléments pointus.
- Connectez le fil négatif de la batterie à la borne de terre du moteur du treuil (n'utilisez jamais la terre du châssis).
- Assurez-vous que le petit fil de terre du boîtier de commande (il s'agit de l'alimentation en terre du contacteur) est connecté à la borne de terre du moteur du treuil alimenté par la batterie. Ne tentez en aucun cas d'utiliser une mise à la terre du châssis.

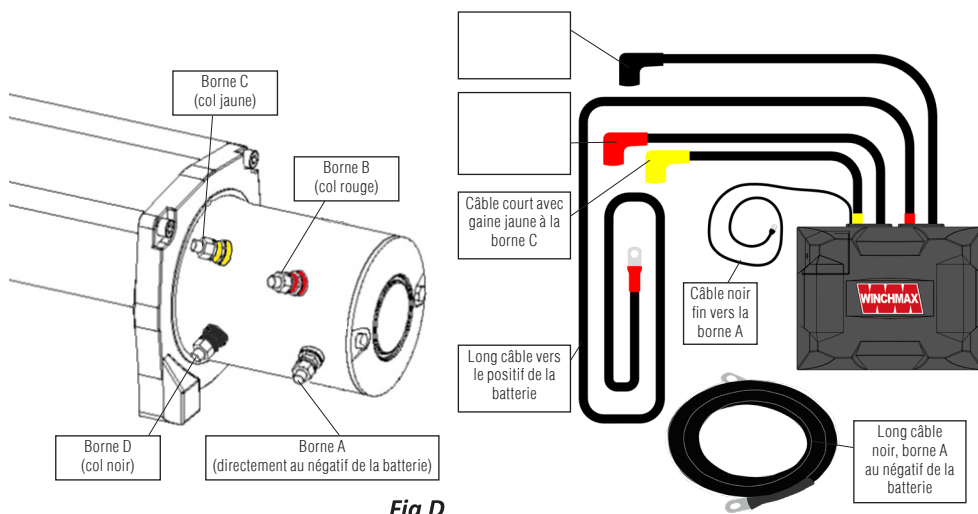


Fig D

- Pour le treuil de 8 000 kg, connectez à présent les câbles restants du boîtier de commande au moteur en respectant les gaines à code couleur sur le câble et les colliers à code couleur correspondants sur les bornes du moteur.
- Une fois que vous êtes certain que toutes les autres connexions sont correctement installées, connectez le long fil d'alimentation rouge à la borne positive de la batterie (via un sectionneur et le coupe-circuit de surcharge s'il est utilisé).

Remarques

- Si vous devez prolonger les câbles, utilisez des câbles de soudage flexibles de 40 mm² minimum.
- Veillez à toujours installer un coupe-batterie sur la ligne d'alimentation positive afin de permettre un arrêt d'urgence et d'empêcher un démarrage involontaire et de protéger le treuil si le véhicule est démarré en urgence.
- Toutes les connexions de terre doivent être alimentées par la batterie. Ne tentez en aucun cas d'utiliser une mise à la terre du châssis.
- Vérifiez que toutes les connexions sont bien fixées et protégées de la corrosion en utilisant de la vaseline, de la graisse pour cuivre ou tout autre produit similaire.
- Si vous disposez d'un disjoncteur de surcharge, veuillez le monter en ligne avec l'alimentation positive (fixez une clôture à la borne de la batterie et connectez le fil d'alimentation positif du treuil sur l'autre).
- N'utilisez pas de guide-câble à rouleaux avec un câble synthétique, au risque de coincer et d'endommager les fibres.



Fig E



Fig F



Commande à distance

- La commande à distance est une unité combinée filaire / sans fil tout en un avec un câble amovible.
- Une fois que le treuil a été configuré, il est possible d'utiliser la commande manuelle à distance en mode CÂBLÉ ou SANS FIL.
- Il est recommandé, pour la configuration initiale du treuil (avant d'appliquer toute charge), de le faire fonctionner en mode CÂBLÉ.
- Veillez à insérer la fiche de la commande à distance sans fil dans la prise du boîtier de commande. L'extrémité de la douille (Fig. E) doit être alignée avec la rainure de la douille (Fig. F).
- Afin d'utiliser la commande manuelle à distance en mode SANS FIL, retirez le câble de commande du boîtier de commande, débranchez la commande manuelle à distance du câble de commande et appuyez sur le bouton MODE de la commande manuelle à distance jusqu'à ce que le voyant vert marqué SANS FIL soit allumé.
- Vérifiez que le voyant de la commande à distance du treuil est dans le mode approprié avant de l'utiliser.
- Utilisez l'interrupteur à pouce pour faire fonctionner le treuil en mode IN ou OUT.

4. ENROULEMENT DU CÂBLE

- Nous recommandons de faire appel à un assistant lors de l'enroulement du câble.
- L'enroulement doit se faire sur une grande surface ouverte et plane.
- Premièrement, disposez le câble devant le véhicule en vous assurant qu'elle ne présente aucune torsion ou pliure.
- L'embrayage du treuil étant désengagé, faites passer la borne du tambour par l'avant du guide-câble de l'enrouleur et raccordez-la au tambour.
 - a) Si le treuil est équipé d'une fixation de type « traversant le tambour », dévissez la vis sans tête Allen et faites passer l'extrémité du câble dans le trou jusqu'à ce qu'elle soit visible de l'autre côté. Fixez ensuite la vis sans tête.
 - b) Si le treuil est équipé d'une fixation de type bride, fixez la borne annulaire à l'extrémité du câble à l'aide de la vis à tête cylindrique, mais en serrant à la main uniquement afin de permettre à la fixation de pivoter sur la vis.
- Fixez l'extrémité du crochet à un point d'ancrage approprié et positionnez le véhicule de manière à disposer d'au moins 3 mètres de mou sur le câble. Serrez le frein à main du véhicule.
- En tenant le câble avec des mains gantées et à au moins 5 mètres du treuil, appliquez autant de pression que possible en appuyant sur le câble avec le poids de votre corps et en vous approchant du treuil tout en utilisant la télécommande filaire pour l'enrouler. Veillez à ce que chaque enroulement repose fermement l'un à côté de l'autre jusqu'à ce que le câble se tende contre le point d'ancrage. Vous devrez effectuer au moins 6 enroulements autour du tambour.
- Le câble doit être enroulé sur le tambour à partir du bas du tambour.
- À l'aide de la commande à distance filaire et tout en appliquant doucement le frein à pied du véhicule pour maintenir la tension, utilisez le treuil pour tirer le véhicule vers le point d'ancrage.
- Au cours de l'opération, immobilisez régulièrement le treuil, serrez le frein à main pour maintenir la tension et vérifiez que le câble s'enroule uniformément sur le treuil.
- Si vous êtes accompagné d'un assistant, celui-ci doit rester dans le véhicule pour actionner le frein, tandis que vous maintenez le contrôle du treuil depuis l'extérieur du véhicule et à l'aide de la télécommande filaire.
- Une fois que le câble est enroulé sur environ 3 m, en utilisant le protège-main pour tenir le crochet, inversez légèrement le treuil pour permettre de relâcher le crochet.
- En maintenant la tension sur la corde, donnez une impulsion à la télécommande pour qu'elle prenne le câble restant, puis ancrez le crochet sur un point de fixation approprié sur le véhicule.

Remarques

- Il est important de comprendre que ce sont les 6-8 premiers tours autour du tambour et NON le point de fixation de la borne du tambour qui permettent au câble métallique ou synthétique de se fixer sur le tambour.
- La fixation du tambour n'est pas porteuse. Elle est uniquement conçue pour permettre d'enrouler le câble sous une charge suffisante afin qu'il s'enroule fermement sur le tambour.
- À l'état neuf, le câble métallique est graisseux et élastique et peut facilement se dérouler sur le tambour si la tension est relâchée.
- Si les enroulements extérieurs d'un câble d'acier se « déroulent », vous devez retirer tout le câble et l'enrouler à nouveau sous tension. Le non-respect de cette consigne entraînera une défaillance de la fixation du tambour.

5. FONCTIONNEMENT DU TREUIL

- Assurez-vous que le véhicule est sécurisé en actionnant le frein de stationnement ou en calant les roues.
- Mettez le câble hors tension (sur une courte distance) ou faites-le sortir librement et connectez-le à un point d'ancrage approprié.
- Vérifiez à nouveau tous les câbles d'amarrage avant le début de toute opération.
- Branchez la commande manuelle du treuil et mettez en marche le coupe-batterie. Faites passer la commande manuelle par l'avant du véhicule et par la fenêtre du conducteur.
- Afin de commencer le treuillage, démarrez le moteur du véhicule et, avec la transmission au point mort, actionnez le treuil tout en guidant la trajectoire du treuil avec la direction du véhicule jusqu'à ce qu'il soit libre.
- Veillez à ce que le câble s'enroule uniformément sur le tambour. Un treuillage à angle aigu peut entraîner un entassement du câble sur le tambour, ce qui pourrait endommager le treuil.
- Une fois l'opération terminée, le câble doit être retiré et remis sous tension en vue de son utilisation future

Remarques

- Votre treuil n'est pas conçu pour être utilisé en continu mais plutôt pour fournir les tractions de courte durée à forte charge nécessaires pour récupérer un véhicule tout-terrain en difficulté.
- Ne laissez jamais le moteur du treuil caler.
- Dès que vous faites fonctionner votre treuil, celui-ci génère de la chaleur dans le moteur. Une charge élevée, un fonctionnement prolongé ou répété peuvent entraîner une surchauffe du moteur. Surveillez en permanence la température du moteur. Si le moteur atteint une température trop élevée pour que vous puissiez confortablement poser votre main dessus, interrompez immédiatement le processus et laissez le moteur refroidir avant de reprendre les opérations.

- Ne dépassez jamais la charge nominale maximale de votre treuil.
- Nous recommandons l'utilisation d'une moufle mobile et de la technique de la double ligne pour toute charge dépassant 50 % de la capacité du treuil. Veillez à toujours ancrer le crochet à la fixation appropriée du châssis et non sur la plaque de montage du treuil.
- Laissez le moteur du véhicule tourner durant l'opération de treuillage afin de conserver la charge de la batterie.
- Un minimum de 6 enroulements serrés autour du tambour doit être maintenu afin d'empêcher toute défaillance de la fixation du tambour. Ne dévidez pas le câble au-delà de la marque rouge.
- N'engagez pas ou ne désengagez pas l'embrayage sous charge ou lorsque le moteur tourne.
- Ne conduisez jamais votre véhicule afin d'assister le treuil de quelque manière que ce soit.

6. ENTRETIEN DE VOTRE TREUIL

- Le treuil doit être sollicité au moins une fois par mois : débranchez environ 10 m de câble, enroulez librement 5 m, puis rebranchez sous une charge minimale de 100 kg.
- Remplacez les piles de la télécommande tous les 12 mois ou lorsqu'elles sont épuisées.
- Gardez la housse de protection du treuil en place lorsque le treuil n'est pas utilisé.
- Toutes les pièces mobiles sont graissées en permanence et, dans le cadre d'une utilisation normale, ne nécessitent aucun graissage pendant toute la durée de vie du treuil.
- Nettoyez votre treuil après utilisation. Utilisez uniquement de l'eau à basse pression et une brosse afin d'éliminer les saletés. Faites tourner le treuil pendant une minute ou deux après le nettoyage pour réchauffer le moteur et faciliter le séchage.
- Une fois sec, vous devez utiliser une huile en bombe afin d'enduire le treuil et le câble métallique avant d'installer la housse du treuil.
- Le treuil ne doit pas être immergé dans de l'eau sale.

7. CÂBLE SYNTHÉTIQUE

- Ne laissez pas le câble entrer en contact avec des objets pointus ou abrasifs.
- Ne pas exposer le câble à des détergents puissants, des carburants, des huiles ou des produits antigel.
- Évitez tout contact avec des surfaces chaudes, par ex. échappement/moteur.
- Après utilisation, retirez le câble, lavez-le, séchez-le et remplacez-le soigneusement sur le tambour.

Dépannage

Symptôme	Cause	Solution
Le treuil ne fonctionne pas	Câble desserré, endommagé ou rouillé	Vérifiez le bon état de tous les câbles et de toutes les connexions
	Commandes sans fil ou filaires défectueuses	Effectuez un test en utilisant un autre système de contrôle
	Batterie d'alimentation du treuil insuffisante	Vérifiez que la tension de la batterie d'alimentation correspond bien au treuil
	Le moteur a brûlé	Testez le moteur par connexion directe et remplacez-le si nécessaire
Le treuil ne tourne que dans un seul sens	Câble desserré, endommagé ou rouillé	Vérifiez le bon état de tous les câbles et de toutes les connexions
	Le(s) goujon(s) de connexion du moteur ont été trop serrés et ont brisé la soudure interne.	Remplacez le moteur
	Le câble mobile n'est pas correctement connecté	Vérifiez que le câble d'alimentation est correctement inséré dans la prise du boîtier de commande (et tourné en position de verrouillage s'il est de type baïonnette)
Ne libère pas le câble	La bobine libre n'est pas désengagée	Désengagez la bobine libre
La charge ne tient pas	La bobine libre n'est pas engagée	Engagez la bobine libre
	L'unité de freinage est défectueuse	Remplacez l'unité de freinage
	Le câble du treuil s'est détaché de la fixation du tambour	Fixez à nouveau le câble sur le tambour

Le treuil fonctionne en sens inverse	Les connexions des bornes jaunes et noires sont inversées	Permutez les connexions aux bornes jaunes et noires
	Fils de sortie du récepteur sans fil connectés en sens inverse	Permutez les connexions des fils de sortie du récepteur sans fil
Le moteur est très chaud	Longue durée de fonctionnement	Interrompez le fonctionnement afin de laisser l'appareil refroidir
	Surcharge	Réduisez la charge

Grazie per aver acquistato un verricello WINCHMAX. Utilizzando questo prodotto entro i suoi limiti e seguendo le istruzioni fornite, potrai contare su molti anni di esercizio ininterrotto.

IMPORTANTE: LEGGERE E COMPRENDERE L'INTERO MANUALE PRIMA DI INSTALLARE O METTERE IN FUNZIONE IL PRODOTTO; IN CASO CONTRARIO, SI POTREBBERO VERIFICARE DANNI ALLE COSE, LESIONI GRAVI O MORTE. ESEGUIRE UN CONTROLLO COMPLETO DELLA SICUREZZA E UNA VALUTAZIONE DEI RISCHI PRIMA DI OGNI UTILIZZO.

Abbiamo cercato di fornire una guida completa per l'utilizzo sicuro di questo verricello, ma è responsabilità dell'operatore valutare e ridurre al minimo i rischi potenziali prima e durante ogni operazione. Conservare queste istruzioni come riferimento.

1. AVVERTENZE E INFORMAZIONI GENERALI SULLA SICUREZZA

- Non indossare indumenti larghi o gioielli onde evitare di rimanere impigliati nelle parti in movimento.
- È necessario indossare tute di buona qualità, calzature protettive antiscivolo, guanti di pelle spessi e protezioni per gli occhi.
- È responsabilità dell'operatore assicurarsi che lui stesso e tutti i presenti rimangano a distanza di sicurezza. Per le persone che assistono, la distanza deve essere pari ad almeno 1,5 volte la lunghezza della fune utilizzata.
- Prima dell'uso, controllare accuratamente il verricello, compresi tutti i collegamenti elettrici. Eventuali parti danneggiate devono essere sostituite, utilizzando solo ricambi originali.
- Proteggere il verricello da carichi d'urto: non lasciare che la fune del verricello venga stratonata da un carico in movimento o da un veicolo in movimento. Non guidare mai il veicolo per aiutare il verricello in alcun modo.
- Se una fune metallica si rompe o si allenta sotto carico, può scattare indietro con una forza notevole.
- Con una fune metallica, è buona norma utilizzare una coperta o un paracolpi pesante per verricelli avvolto sulla fune verso l'estremità del gancio per ridurre il colpo di frusta in caso di rottura della fune. Il cofano del veicolo può essere sollevato per fornire una protezione aggiuntiva quando si opera dall'interno del veicolo.
- Non utilizzare il verricello se la fune è sfilacciata o danneggiata.
- Non maneggiare mai il gancio direttamente. Utilizzare sempre un salvamano e guanti di protezione.
- Non agganciare mai la fune del verricello su se stessa per non danneggiarla.
- Isolare sempre elettricamente il verricello quando non è in uso per proteggerlo da un azionamento involontario.
- Non utilizzare il verricello come paranco o per il sollevamento dall'alto.
- Non utilizzare il verricello per sollevare, sostenere o spostare personale.
- Assicurarsi sempre che la fune del verricello si riavvolga in modo compatto e uniforme sul tamburo. Non consentire l'accumulo di cavi in quanto ciò potrebbe danneggiare le traverse e l'alloggiamento del verricello.

- Non utilizzare una fune sintetica con un passacavo a rulli progettato per funi metalliche.
- Non avvicinarsi mai al verricello, al gancio o alla fune se qualcun altro è ai comandi.
- Accertarsi sempre che il punto di ancoraggio sia in grado di sopportare il carico e che non scivoli o ceda.
- Proteggere il telecomando senza fili da qualsiasi possibilità di azionamento accidentale.
- Non applicare mai un carico a una fune metallica se questa è attorcigliata, in quanto ciò potrebbe deformare o rompere i trefoli e causare danni permanenti.

2. INSTALLAZIONE FISICA

ATTENZIONE: la corretta installazione del verricello è fondamentale per un funzionamento corretto e sicuro.

2.1 INSTALLAZIONE DELLA SCATOLA DI CONTROLLO (consigliata prima di montare il verricello sul veicolo)

- Quando si monta il verricello su un 4x4 con possibilità di guidare acque profonde, è buona norma montare la scatola di controllo a distanza sotto il cofano per proteggere l'impianto elettrico dall'acqua.
- La scatola di controllo può essere montata sul verricello in due posizioni per garantire una maggiore flessibilità nel montaggio del verricello.

Sulle barre trasversali

Utilizzando le quattro viti a macchina M6 in dotazione, fissare la scatola di controllo a ciascun angolo attraverso le staffe sagomate (Fig. A).



Fig A

Montaggio sul motore

Per il montaggio sopra il motore, allentare le viti di fissaggio per rimuovere le due staffe inferiori (Fig. B1). Utilizzare le stesse viti di fissaggio per assicurare la staffa di montaggio in dotazione all'alloggiamento del motore (Fig. B2).



Fig B1

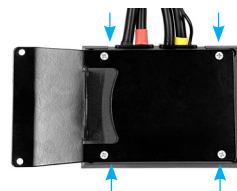


Fig B2

Utilizzare quindi due delle viti a macchina M6 in dotazione per fissare la staffa nei due fori filettati sul lato motore della barra trasversale (Fig. B3). Le altre due viti possono essere utilizzate per tappare i fori filettati sull'altro lato delle barre trasversali.



Fig B3

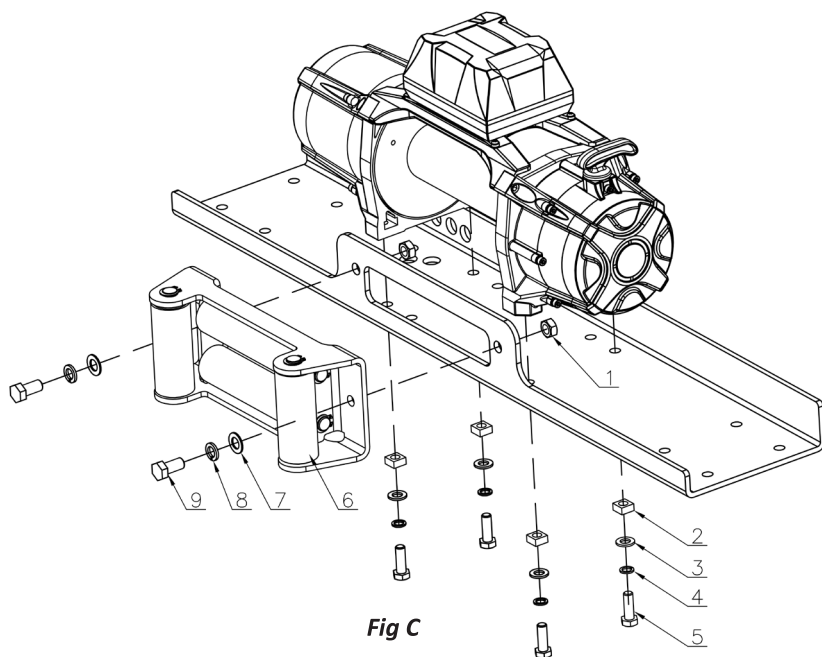


Fig C

2.2 MONTAGGIO DEL VERRICELLO (Fig C)

- Installare un paraurti o una piastra di montaggio adeguata nella posizione richiesta. Il verricello deve essere montato con la direzione di trazione perpendicolare ai bulloni di fissaggio. La piastra deve essere realizzata in acciaio da almeno 6 mm.
- Fissare il passacavo (a rullo per funi metalliche o a bocca in alluminio per funi sintetiche) alla piastra di montaggio utilizzando due dadi (9) e bulloni (1) con rondelle piatte (7) ed elastiche (8).
- Inserire i 4 dadi quadrati (2) nelle tasche alla base del telaio del verricello.
- Infilare i quattro bulloni ad alta resistenza (5) con le rondelle piatte (3) e le rondelle elastiche (4) attraverso la piastra di montaggio e nei dadi quadri del verricello. Serrare i bulloni di montaggio a una coppia di 60 Nm.
- I bulloni forniti sono della lunghezza corretta per l'installazione su una piastra di 6-7 mm. Altri spessori possono richiedere bulloni di lunghezza diversa. I bulloni devono essere almeno di grado 8.8 ad alta resistenza. La lunghezza della filettatura deve essere sufficiente a riempire la filettatura del dado quadro senza entrare in contatto con la parte superiore della tasca del dado di montaggio nella base del verricello.
- Se la fune è pre-imbobinata, far passare l'occhiello del gancio attraverso il passacavo a rulli (6) dal lato del verricello e fissare il gancio a forcella. Se si installa una fune sintetica con una bocca guidacavo o se la fune è dotata di un gancio fisso da competizione, è necessario sfilare la fune e poi farla passare di nuovo dal lato anteriore del passacavo.

- Se il verricello è dotato di un fissaggio del tipo “attraverso il tamburo”, allentare il grano a brugola e far passare l’estremità della fune attraverso il foro finché non è visibile dall’altro lato. Serrare il grano. Se il verricello è dotato di un fissaggio a flangia, fissare il terminale ad anello all’estremità della fune con la vite a brugola, stringendo esclusivamente a mano per consentire al fissaggio di ruotare sulla vite. Avvolgere la fune come indicato nella Sezione 4.

3. INSTALLAZIONE ELETTRICA (Fig D)

- Assicurarsi che la batteria sia in buone condizioni e possa fornire almeno 750 CCA.
- Far passare i cavi della batteria in dotazione (cavo rosso lungo dalla scatola di controllo = Positivo / cavo nero lungo separato = Negativo) direttamente verso la posizione della batteria. Assicurarsi che il cavo sia protetto per tutto il suo percorso dal calore e dall’abrasione di componenti taglienti.
- Collegare il cavo negativo della batteria al terminale di terra del motore del verricello (non utilizzare mai la terra del telaio).
- Assicurarsi che il piccolo filo di terra proveniente dalla scatola di controllo (è la messa a terra del contattore) sia collegato al terminale di terra del motore del verricello alimentato dalla batteria. Non tentare di utilizzare la messa a terra del telaio.

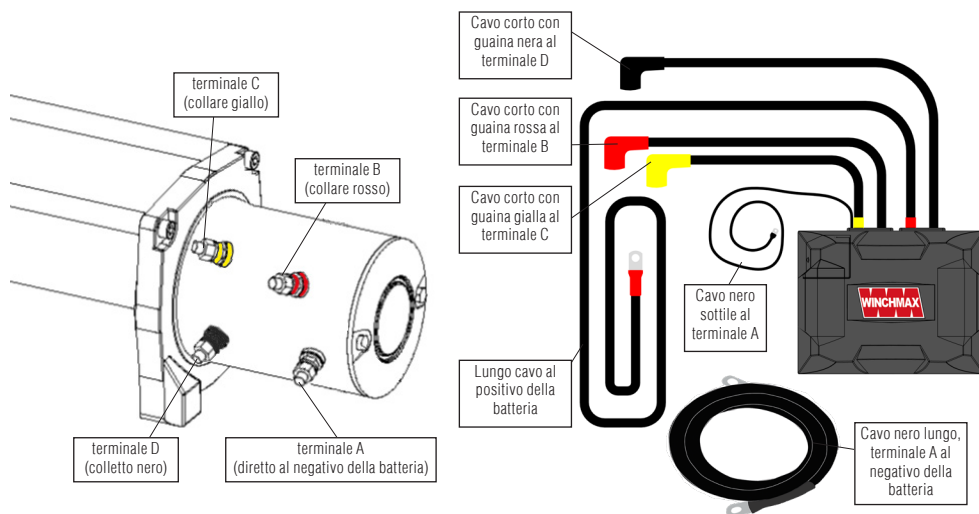


Fig D

- Nel caso del verricello da 13500 lb, collegare ora i cavi rimanenti dalla scatola di controllo al motore, rispettando il codice colore dei salvacavi sul cavo e i corrispondenti collari colorati sui terminali del motore.
- Una volta accertato che tutti gli altri collegamenti sono stati installati correttamente, collegare il lungo cavo di alimentazione rosso al terminale positivo della batteria (tramite un sezionatore e l’interruttore di sovraccarico, se utilizzato).

Nota

- Se è necessario prolungare i cavi, utilizzare cavi di saldatura flessibili di almeno 40 mm².
- Installare sempre un interruttore di isolamento della batteria sulla linea di alimentazione positiva per consentire l'arresto di emergenza, evitare l'avviamento involontario e proteggere il verricello se il veicolo viene messo in moto.
- Tutti i collegamenti a terra devono essere alimentati dalla batteria. Non tentare mai di utilizzare la messa a terra del telaio.
- Verificare che tutti i collegamenti siano sicuri e protetti dalla corrosione con vaselina, grasso al rame o simili.
- Se viene fornito un interruttore di sovraccarico, montarlo in linea con l'alimentazione positiva (fissare un'estremità al terminale della batteria e collegare il cavo di alimentazione positivo al verricello sull'altra).
- Non utilizzare un passacavi a rullo con funi sintetiche per evitare di intrappolare e danneggiare le fibre.



Fig E



Fig F



Telecomando

- Il telecomando è un'unità combinata cablata e wireless con cavo rimovibile.
- Una volta impostato il verricello, il telecomando può essere utilizzato in modalità WIRED O WIRELESS.
- Per la messa a punto iniziale del verricello (prima di applicare qualsiasi carico) si raccomanda di utilizzarlo in modalità WIRED.
- Prestare attenzione quando si inserisce la spina del telecomando nella presa della scatola di controllo. L'estremità della presa (Fig. E) deve essere allineata alla scanalatura della presa (Fig. F).
- Per utilizzare il telecomando in modalità WIRELESS, rimuovere il cavo di controllo dalla scatola di controllo, scollegare il telecomando dal cavo di controllo e premere il pulsante MODE sul telecomando finché non si accende la spia verde con la dicitura WIRELESS.
- Assicurarsi che la spia del telecomando del verricello sia nella modalità corretta prima di utilizzarlo.
- Utilizzare l'interruttore a pollice per azionare il verricello "IN" o "OUT".

4. AVVOLGIMENTO DELLA FUNE

- Si consiglia di avvalersi di un assistente durante l'avvolgimento della fune.
- L'avvolgimento deve essere effettuato su un'area ampia, aperta e pianeggiante.
- Per prima cosa, stendere la fune davanti al veicolo assicurandosi che non ci siano torsioni o pieghe.
- Con la frizione del verricello disinnestata, far passare il terminale del tamburo attraverso la parte anteriore del passacavo a rullo/bocca guidacavo e collegarlo al tamburo.
 - a) Se il verricello è dotato di un fissaggio del tipo "attraverso il tamburo", allentare il grano a brugola e far passare l'estremità della fune attraverso il foro finché non è visibile dall'altro lato. Serrare il grano.
 - b) Se il verricello è dotato di un fissaggio a flangia, fissare il terminale ad anello all'estremità della fune con la vite a brugola, stringendo esclusivamente a mano per consentire al fissaggio di ruotare sulla vite.
- Fissare l'estremità del gancio a un punto di ancoraggio adeguato e posizionare il veicolo in modo da avere almeno 3 m di lasco sulla fune. Azionare il freno a mano del veicolo.
- Tenendo la fune con le mani dotate di guanti e ad almeno 5 m di distanza dal verricello, esercitare la massima pressione possibile contrapponendo il peso del corpo alla fune e camminando verso il verricello mentre si utilizza il telecomando per l'avvolgimento. Assicurarsi che ogni avvolgimento sia ben aderente all'altro fino a quando la fune non si tende contro il punto di ancoraggio. Dovrebbero esserci almeno 6 avvolgimenti intorno al tamburo.
- La fune deve essere avvolta sul tamburo dalla parte inferiore del tamburo.
- Utilizzando il telecomando cablato e azionando delicatamente il freno a pedale del veicolo per mantenere la tensione, utilizzare il verricello per tirare il veicolo verso il punto di ancoraggio.
- Durante l'operazione, arrestare regolarmente il verricello, applicare il freno a mano per mantenere la tensione e controllare che la fune si avvolga uniformemente sul verricello.
- Se si dispone di un assistente, questi deve rimanere nel veicolo per azionare il freno, mentre l'utente mantiene il controllo del verricello dall'esterno del veicolo e utilizzando il telecomando cablato.
- Quando la fune è arrotolata per circa 3 m, utilizzando il salvamano per tenere il gancio, invertire leggermente il verricello per consentire il rilascio del gancio.
- Mantenendo la tensione sulla fune, dare un impulso al telecomando per avvolgere la fune rimanente e quindi ancorare il gancio a un punto di fissaggio adeguato sul veicolo.

Nota

- È importante capire che sono i primi 6-8 avvolgimenti stretti intorno al tamburo e NON il punto di fissaggio del terminale del tamburo a permettere alla fune metallica o sintetica di fare presa sul tamburo.
- Il fissaggio del tamburo non è portante. È stato progettato solo per consentire l'avvolgimento del cavo con un carico sufficiente per avvolgerlo saldamente sul tamburo.
- Quando la fune metallica è nuova, è grassa ed elastica e può facilmente srotolarsi sul tamburo se la tensione si allenta.
- Se gli avvolgimenti esterni di una fune metallica si "srotolano", è necessario estrarre l'intera fune e riavvolgerla sotto tensione. La mancata osservanza di questa procedura comporta il cedimento del fissaggio del tamburo.

5. UTILIZZO DEL VERRICELLO

- Assicurarsi che il veicolo sia stabile azionando il freno di stazionamento o bloccando le ruote.
- Disattivarlo (per distanze brevi) o srotolare il cavo e collegarlo a un punto di ancoraggio adeguato.
- Ricontrollare tutti i cavi di ancoraggio prima di iniziare.
- Collegare il comando manuale del verricello e accendere il sezionatore della batteria. Far passare il controller manuale intorno alla parte anteriore del veicolo e attraverso il finestrino del conducente.
- Per avviare il verricello, accendere il motore del veicolo e con il cambio in folle azionare il verricello guidando la traiettoria del verricello con lo sterzo del veicolo fino a quando non è libero.
- È necessario assicurarsi che la fune si avvolga uniformemente sul tamburo. L'avvolgimento ad angolo acuto può provocare aggrovigliamenti sul tamburo, con conseguenti danni al verricello.
- Al termine dell'operazione, la fune deve essere estratta e riavvolta ordinatamente in tensione per l'uso successivo.

Nota

- Il verricello non è stato progettato per essere utilizzato in modo continuativo, ma per fornire le trazioni ad alto carico e di breve durata necessarie per il recupero di un veicolo fuoristrada in difficoltà.
- Non lasciare mai che il motore del verricello si blocchi.
- Ogni volta che si aziona il verricello si genera calore nel motore; carichi elevati, operazioni prolungate o ripetute possono causare il surriscaldamento del motore. Monitorare sempre la temperatura del motore. Se il motore diventa troppo caldo per potervi appoggiare comodamente la mano, interrompere immediatamente il funzionamento e lasciarlo raffreddare prima di utilizzarlo ulteriormente.

- Non superare il carico nominale massimo del verricello.
- Si raccomanda l'uso di un bozzello e di una tecnica a doppia fune per qualsiasi carico superiore al 50% della portata del verricello. Ancorare sempre il gancio all'apposito fissaggio del telaio e non alla piastra di montaggio del verricello.
- Mantenere il motore del veicolo acceso mentre si utilizza il verricello per mantenere la carica della batteria.
- È necessario mantenere un minimo di 6 avvolgimenti stretti sul tamburo per evitare il cedimento del fissaggio del tamburo. Non tirare la fune metallica oltre il segno rosso.
- Non innestare o disinnestare la frizione sotto carico o quando il motore è in funzione.
- Non guidare mai il veicolo per assistere il verricello in alcun modo.

6. MANUTENZIONE DEL VERRICELLO

- Il verricello deve essere utilizzato almeno una volta al mese: Estrarre circa 10 m di cavo, avvolgere a vuoto 5 m, quindi avvolgere con un carico minimo di 100 kg.
- Sostituire le batterie del telecomando ogni 12 mesi o quando sono esaurite.
- Quando il verricello non è in uso, mantenere il coperchio di protezione montato.
- Tutte le parti mobili sono lubrificate in modo permanente con grasso e, con un uso normale, non necessitano di ingrassaggio per tutta la durata di vita del verricello.
- Pulire il verricello dopo l'uso. Usare solo acqua a bassa pressione e una spazzola per sciacquare lo sporco. Dopo la pulizia, azionare il verricello per uno o due minuti per riscaldare il motore e favorirne l'asciugatura.
- Na volta asciutto, è necessario utilizzare un lubrificante spray per lubrificare il verricello e la fune metallica prima di installare il coperchio.
- Il verricello non deve essere immerso in acqua sporca.

7. FUNE SINTETICA

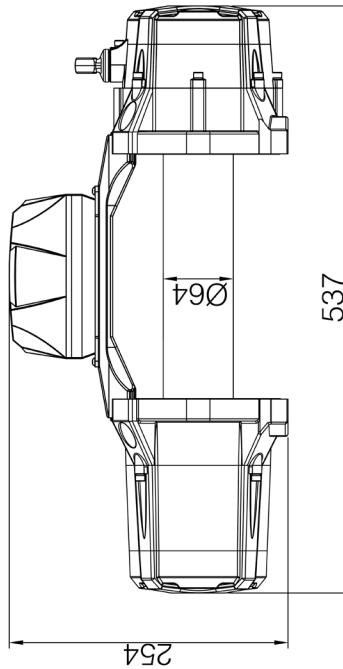
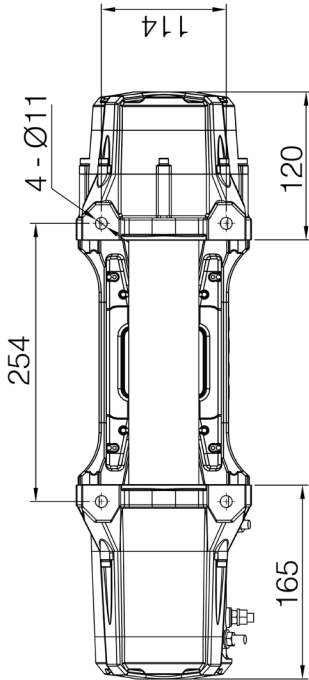
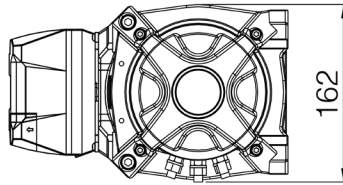
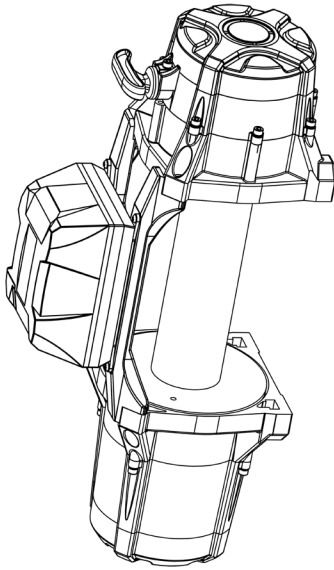
- Evitare che la fune entri in contatto con oggetti taglienti o abrasivi.
- Non esporre a detergenti aggressivi, carburanti, oli o soluzioni antigelo.
- Evitare il contatto con superfici calde, ad es. scarico/motore.
- Dopo l'uso, estrarre la fune, lavarla, asciugarla e riavvolgerla con cura sul tamburo.

Risoluzione dei Problemi

Problema	Causa	Rimedio
Il verricello non funziona	Cablaggio allentato, danneggiato o corrosivo	Controllare tutti i cablaggi e le connessioni per assicurarsi che siano in buone condizioni.
	Controlli wireless o cablati difettosi	Effettuare la prova utilizzando un altro sistema di controllo
	Batteria di alimentazione del verricello inadeguata	Verificare che la tensione della batteria di alimentazione corrisponda a quella del verricello
	Il motore è bruciato	Provare il motore con un collegamento diretto e, se necessario, sostituirlo
Il verricello funziona in una sola direzione	Cablaggio allentato, danneggiato o corrosivo	Controllare tutti i cablaggi e le connessioni per assicurarsi che siano in buone condizioni.
	Il perno o i perni di collegamento del motore sono stati serrati eccessivamente e hanno rotto la saldatura interna.	Sostituire il motore
	Il cavo di comando non è collegato correttamente	Controllare che il cavo di comando sia inserito correttamente nella presa della scatola di controllo (e ruotato in posizione di blocco se è a baionetta)
Il cavo non si svolge	Frizione non disinserita	Disinserire la frizione
Il carico non tiene	Frizione non inserita	Inserire frizione
	Il gruppo freno è guasto	Sostituire il gruppo freno
	La fune del verricello si è staccata dal fissaggio del tamburo	Fissare nuovamente la fune al tamburo

Il verricello funziona in direzione opposta	Inversione dei collegamenti dei terminali giallo e nero	Scambiare i collegamenti dei terminali giallo e nero
	I cavi di uscita del ricevitore wireless sono collegati al contrario	Scambiare i collegamenti dei cavi di uscita del ricevitore wireless
Il motore è estremamente caldo	Lungo periodo di funzionamento	Interrompere il funzionamento per lasciare raffreddare l'unità
	Sovraccarico	Ridurre il carico

Specifications SL13,500lb Winch



Technical Data SL13,500lb Winch

Single Line Rated Pull	13,500lb (6,123kg)	Motor Current	65-500A
Motor	6.8hp (5.1kw) Series Wound	Recommended Battery	750CCA Minimum for Winching
Remote Control	Integrated wireless and wired remote Included	Battery Leads	2 gauge, 1.83m (72") 25mm ² – 5.6mm diameter
Gear Train	3-Stage Planetary	Finish	Textured Orange
Gear Ratio	265:1	Weight	88lb (40kg)
Clutch	Sliding Ring Gear	Mounting Bolt Pattern	10.00" x 4.50" (254 x 114.3mm)
Brake	Automatic in the drum	Overall Dimension	L 537 x W 162 x H 254 mm
Drum Size	Diameter 2.5" (64mm) Length 10.0" (252mm)	Waterproof	IP67 Rating

Layers Of Cable		1	2	3	4
Rated Line Pull per Layer	lb	13,500	9,530	7,929	6,770
	kg	6,124	4,332	3,604	3,077
Cumulative Cable Capacity	ft	18	37	64	98
	m	65.4	11.4	19.4	30

Line Pull	lb	0	3,000	6,000	9,000	13,500
	kg	0	1,363	2,727	4,090	6,124
Line Speed	ft/min	24.6	11.48	8.86	7.22	5.58
	m/min	7.5	3.5	2.7	2.2	1.7
Motor Current	amps	70	138	218	260	350

Technical

Technische Daten SL 13500lb (6123kg) Winde

Einzelleinen-Nennzug	13500lb (6123kg)	Motorstrom	65-500A
Motor	12V DC 6,8ps (5,0kw) Serie gewickelt	Empfohlene Batterie	750CCA Minimum für Winden
Steuerung	Integrierte kabellose und kabelgebundene Fernbedienungen.	Batteriekabel	2 gauge. 1,83m Länge. 25mm ² – 5,6mm Durchmesser
Getriebe	3-stufiges Planetengetriebe	Oberfläche	Pulverbeschichtet in oranger Farbe.
Getriebeübersetzung	265:1	Gewicht	40kg
Kupplung	Gleitringgetriebe	Befestigungsschraubenmuster	254mm x 114,3mm
Bremse	Automatisch in der Trommel	Abmessungen	537mm x 162mm x 254 mm
Trommelabmessungen	64mm x 252mm	Wasserdicht	IP67 Bewertung

Kabelschichten		1	2	3	4
Zugkraft	lb	13500	9530	7929	6770
	kg	6124	4332	3604	3077
Kumulierte Kabelkapazität	ft	18	37	64	98
	m	65,4	11,4	19,4	30

Zugkraft	lb	0	3000	6000	9000	13500
	kg	0	1363	2727	4090	6124
Zuggeschwindigkeit	ft/min	24,6	11,48	8,86	7,22	558
	m/min	7,5	3,5	2,7	2,2	1,7
Stromverbrauch	amps	70	138	218	260	350

Datos Técnicos Cabrestante SL 13500lb (6123kg)

Tracción de una sola línea.	13500lb (6123kg)	Corriente del motor	65-500A
Motor	12V CC 6.8HP/5.0KW Series Wound	Batería recomendada	750CCA Mínima para winches
Control	Mandos a distancia inalámbricos y con cable integrados.	Cables de batería	2 calibre. 1,83m 25mm ² – 5,6mm diámetro
Tren de engranajes	Planetario de 3 etapas	Superficie	Revestimiento de polvo naranja texturizado.
Relación de engranaje	265:1	Peso	40kg
Embrague	Engranaje de anillo desliz	Patrón de perno de montaje	254mm x 114.3mm
Freno	Automático en el tambor	Dimensiones totale	537mm x 162mm x 254 mm
Tamaño del tambor	63,5 mm x 224 mm	Capas de cable	Clasificación IP67

Strati Di Cavo		1	2	3	4
Fuerza de arrastre	lb	13500	9530	7929	6770
	kg	6124	4332	3604	3077
Capas de cable	ft	18	37	64	98
	m	65,4	11,4	19,4	30

Fuerza de arrastre	lb	0	3000	6000	9000	13500
	kg	0	1363	2727	4090	6124
Velocidad de línea	ft/min	24,6	11,48	8,86	7,22	5,58
	m/min	7,5	3.5	2,7	2,2	1,7
Amps	amps	70	138	218	260	350

Technical

Données Techniques Treuil SL 13500lb (6123kg)

Tirez sur une seule ligne	13500lb (6123kg)	Courant moteur	65-500A
Moteur	Série 12V DC 6,8hp (5,0kw) Wound	Batterie recommandée	750CCA minimum recommandé pour le treuillage
Control	Télécommande filaire et sans fil intégrée	Conduites de batterie	2 gauge. 1,83m 25mm ² – 5,6mm diamètre
Train de vitesse	Planétaire en 3 étapes	Terminer	Revêtement en poudre orange texturé.
Rapport de réduction de vitesse	265:1	Poids	40kg
Embrayage	Bague coulissante	Modèle de boulon de montage	254mm x 114,3mm
Action de freinage	Automatique dans le tambour	Dimension hors tout	537mm x 162mm x 254mm
Taille du tambour	64mm x 252mm	Etancheité	Classement IP67

Couche évaluée		1	2	3	4
Traction de ligne	lb	13500	9530	7929	6770
	kg	6124	4332	3604	3077
Total de la corde sur le tambour	ft	18	37	64	98
	m	65,4	11,4	19,4	30

Traction de ligne	lb	0	3000	6000	9000	13500
	kg	0	1363	2727	4090	6124
Vitesse de la ligne	ft/min	24,6	11,48	8,86	7,22	5,58
	m/min	7,5	3,5	2,7	2,2	1,7
Courant du moteur	amps	70	138	218	260	350

Dati Tecnici Verricello SL 13500lb (6123kg)

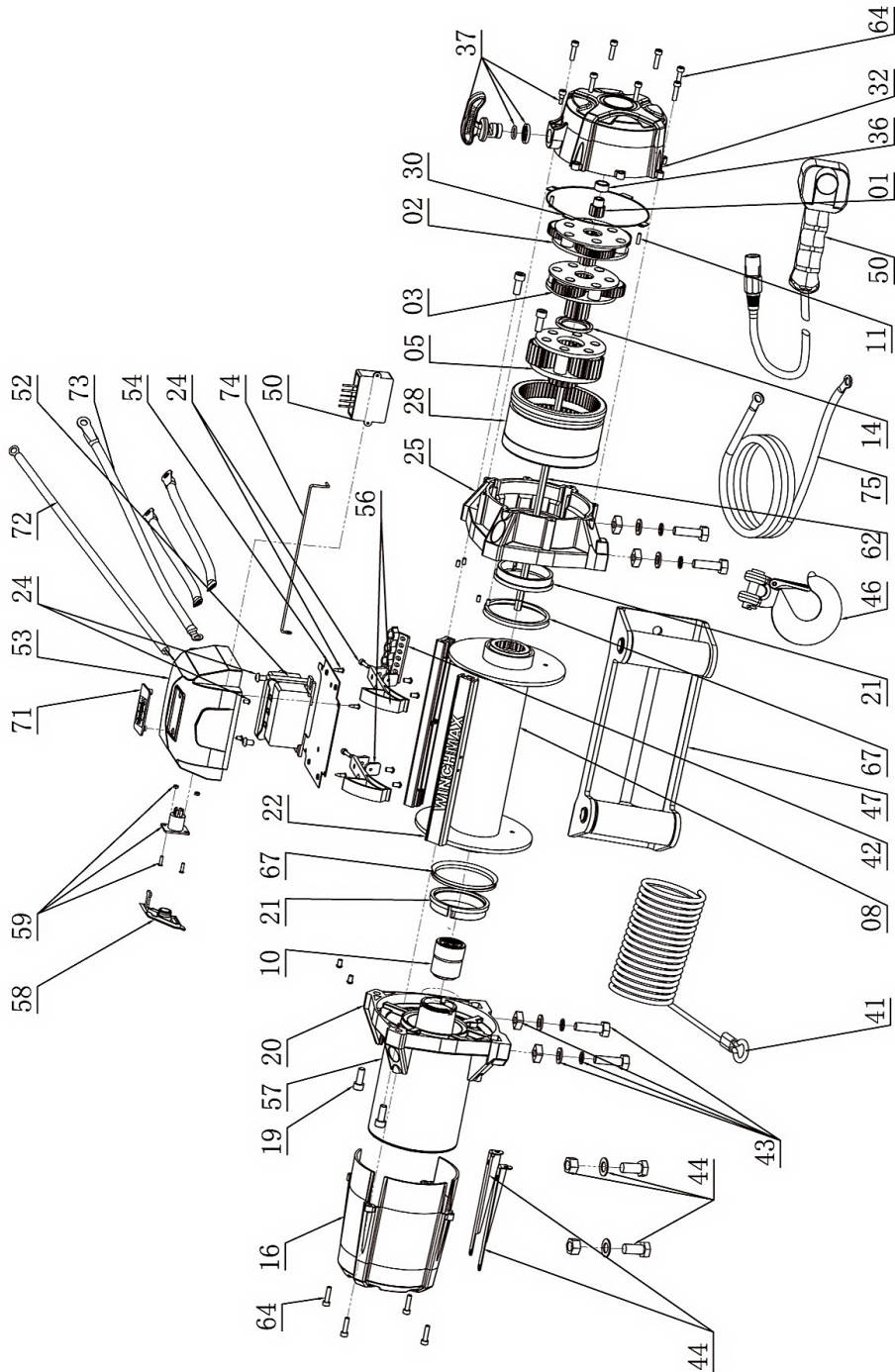
Tiro nominale a linea singola	13500lb (6123kg)	Corrente del motore	65-500A
Motore	Série 6,8cv (5,0kw)	Batteria raccomandata	750CCA Minimo per Winching
Controller	Telecomando wireless e cablato integrato Incluso	Cavi della batteria	Calibro 2. 1,83m 25mm ² - Diametro 5,6 mm
Riduttore	Epicycloidale a 3 stadi	Superficie	Rivestimento in polvere arancione testurizzato.
Rapporto	265:1	Peso	arancione testurizzato.
Frizione	Frizione a ruota libera	Modello del perno di montaggio	254mm x 114,3mm
Freno	Automatico nel tamburo	Dimensione complessiva	537mm x 162mm x 254mm
Dimensione del tamburo	64mm x 252mm	Impermeabilità	Classificazione IP67

Strati Di Cavo		1	2	3	4
Trazione linea	lb	13500	9530	7929	6770
	kg	6124	4332	3604	3077
Capacità cumulativa del cavo:	ft	18	37	64	98
	m	65,4	11,4	19,4	30

Trazione linea	lb	0	3000	6000	9000	13500
	kg	0	1363	2727	4090	6124
Velocità della linea	ft/min	24,6	11,48	8,86	7,22	5,58
	m/min	7,5	3,5	2,7	2,2	1,7
Corrente del motore	amps	70	138	218	260	350

Technical

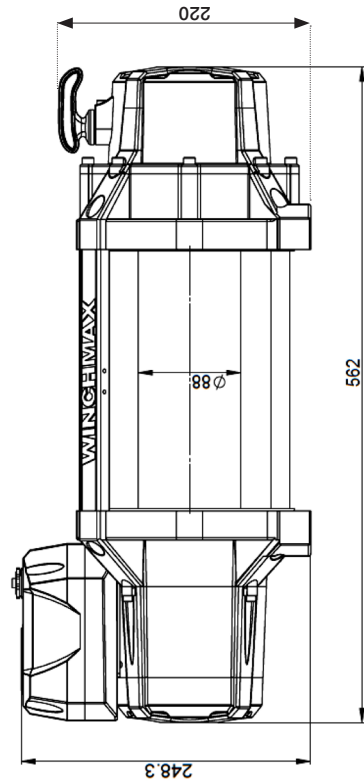
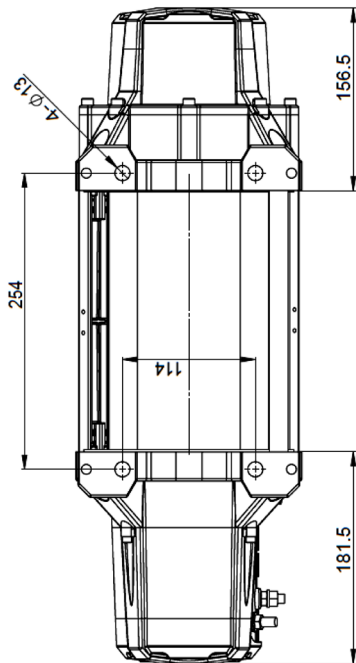
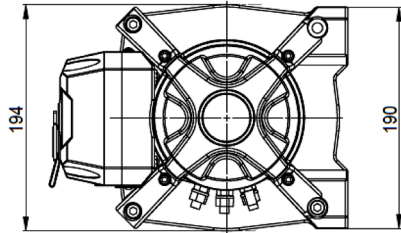
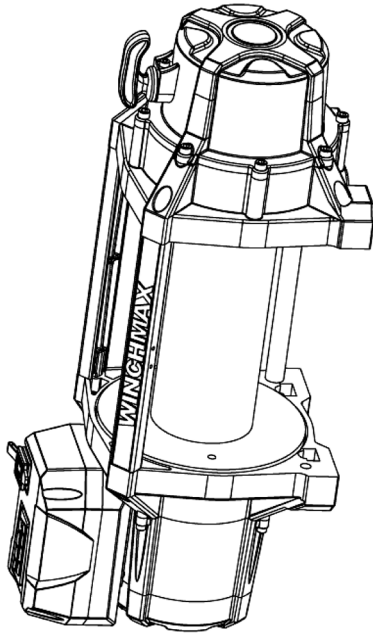
Parts Diagram SL13,500lb Winch



Parts List SL13,500lb Winch

No.	Description	No.	Description
1	Sun Gear	43	Winch Mounting Hardware Set
2	Gear Carrier, Input	44	Mounting Hardware
3	Gear Carrier, Intermediate	46	Clevis Hook
5	Gear Carrier, Output	47	Roller Fairlead
8	Drum	49	Control Box Assy without Transmitter
10	Break Assy	50	Remote Control with Transmitter
11	Pin M4 X 14	52	Solenoid Assy
14	Rubber Washer	53	Control Box Cover
16	Motor Cover	54	Control Box Base
19	Tie Rod Screw	55	Complete Gear Assy
20	Motor Base	56	Control Box Mounting Hardware
21	Sliding Bearing	57	Complete Motor Assy
22	Tie Bar	58	Socket Cover
24	Control Box Mounting Brackets and Hardware	59	Socket Connector Assy
25	Gear Box Base	62	Drive Shaft
28	Clutch Gear	64	Hexagon Head Bolt M5 X 20
30	Rubber Seal	67	Rubber Seal
32	Gear Box Cover	68	Decal Set
36	Oil Bearing	71	Aluminium Winchmax Badge
37	Clutch Handle Assy	72	Cable Battery (+)
41	Wire Rope with Fix Bolt	73	Cable Battery (-)
42	Wire Rope Fix Bolt Only		

Specifications SL17,500lb Winch



Technical Data SL17,500lb Winch

Single Line Rated Pull	17,500lb (7,954kg)	Motor Current	65-500A
Motor	6.8hp Series Wound	Recommended Battery	750CCA Minimum for Winching
Control	Integrated wireless and wired remote Included	Battery Leads	2 gauge, 1.83m (72") 35mmsq – 6.5mm Diameter
Gear Train	3-Stage Planetary	Finish	Textured Orange
Gear Ratio	430:1	Weight	145.0lb (66.0kg)
Clutch	Sliding Ring Gear	Mounting Bolt Pattern	10.00" x 4.50" (254 x 114.3mm)
Brake	Automatic in the drum	Overall Dimension	L 562 x W 194 x H 248.3 mm
Drum Size	Diameter 3.45" (88mm) Length 10.0" (254mm)	Waterproof	IP67 rated

Layers Of Cable		1	2	3	4
Rated Line pull per layer	lb	17,500	15,225	13,246	11,524
	kg	7,955	6,920	6,021	5,238
Cumulative cable capacity	ft	19.68	45.92	75.44	85.28
	m	6	14	23	26

Line Pull	lb	No Load	6,000	10,000	14,000	17,500
		kg	No Load	2,721	4,536	6,363
Line Speed	ft/min	23.62	9.18	5.9	4.26	2.95
	m/min	7.2	2.8	1.8	1.3	0.9
Motor Current	Amps	71	200	300	395	450

Technical

Technische Daten SL17500lb (7938kg) Winde

Einzelleinen-Nennzug	17500lb (7954kg)	Motorstrom	65-500A
Motor	12V DC 6,8ps (5,0kw) Serie gewickelt	Empfohlene Batterie	750CCA Minimum für Winden
Steuerung	Integrierte kabellose und kabelgebundene Fernbedienungen	Batteriekabel	2 gauge. 1,83m. 35mm ² – 6,5mm Durchmesser
Getriebe	3-stufiges Planetengetriebe	Oberfläche	Pulverbeschichtet in oranger Farbe.
Getriebeübersetzung	430:1	Gewicht	66kg
Kupplung	Gleitringgetriebe	Befestigungsschraubenmuster	254mm x 114,3mm
Bremse	Automatisch in der Trommel	Abmessungen	562mm x 194mm x 248,3 mm
Trommelabmessungen	88mm x 254mm	Wasserdicht	IP67 Bewertung

Kabelschichten		1	2	3	4
Zugkraft	lb	17500	15225	13246	11524
	kg	7955	6920	6021	5238
Kumulierte Kabelkapazität	ft	19,68	45,92	75,44	85,28
	m	6	14	23	26

Zugkraft	lb	No Load	6000	10000	14000	17500
	kg	No Load	2721	4536	6363	7937
Zuggeschwindigkeit	ft/min	23,62	9,18	5,9	4,26	2,95
	m/min	7,2	2,8	1,8	1,3	0,9
Stromverbrauch	Amps	71	200	300	395	450

Datos Técnicos Cabrestante SL17500lb (7938kg)

Tracción de una sola línea.	17500lb (7954kg)	Corriente del motor	65-500A
Motor	12V CC 6.8HP/5.0KW Series Wound	Batería recomendad	750CCA Mínima para winches
Control	Mandos a distancia inalámbricos y con cable integrados.	Cables de batería	2 gauge. 1,83m. 35mm ² – 6,5mm diámetro
Tren de engranajes	Planetario de 3 etapas	Superficie	Revestimiento de polvo naranja texturizado
Relación de engranaje	430:1	Peso	66kg
Embrague	Engranaje de anillo desliz	Patrón de perno de montaje	254mm x 114,3mm
Freno	Automático en el tambor	Dimensiones totale	562mm x 194mm x 248,3 mm
Tamaño del tambor	88mm x 254mm	Capas de cable	Clasificación IP67

Strati Di Cavo		1	2	3	4
Fuerza de arrastre	lb	17500	15225	13246	11524
	kg	7955	6920	6021	5238
Capas de cable	ft	19,68	45,92	75,44	85,28
	m	6	14	23	26

Fuerza de arrastre	lb	No Load	6000	10000	14000	17500
	kg	No Load	2721	4536	6363	7937
Velocidad de línea	ft/min	23,62	9,18	5,9	4,26	2,95
	m/min	7,2	2,8	1,8	1,3	0,9
Amps	Amps	71	200	300	395	450

Technical

Données Techniques Treuil SL17500lb (7938kg)

Tirez sur une seule ligne	17500lb (7954kg)	Courant moteur	65-500A
Moteur	Série 12V DC 6,8hp (5,0kw) Wound	Batterie recommandée	750CCA minimum recommandé pour le treuillage
Control	Télécommande filaire et sans fil intégrée	Conduites de batterie	2 gauge. 1,83m. 35mm ² – 6,5mm diamètre
Train de vitesse	Planétaire en 3 étapes	Terminer	Revêtement en poudre orange texturé.
Rapport de réduction de vitesse	430:1	Poids	66kg
Embrayage	Bague coulissante	Modèle de boulon de montage	254mm x 114,3mm
Action de freinage	Automatique dans le tambour	Dimension hors tout	562mm x 194mm x 248,3 mm
Taille du tambour	88mm x 254mm	Etancheité	Classement IP67

Couche évaluée		1	2	3	4
Traction de ligne	lb	17500	15225	13246	11524
	kg	7955	6920	6021	5238
Total de la corde sur le tambour	ft	19,68	45,92	75,44	85,28
	m	6	14	23	26

Traction de ligne	lb	No Load	6000	10000	14000	17500
	kg	No Load	2721	4536	6363	7937
Vitesse de la ligne	ft/min	23,62	9,18	5,9	4,26	2,95
	m/min	7,2	2,8	1,8	1,3	0,9
Courant du moteur	Amps	71	200	300	395	450

Dati Tecnici Verricello SL17500lb (7938kg)

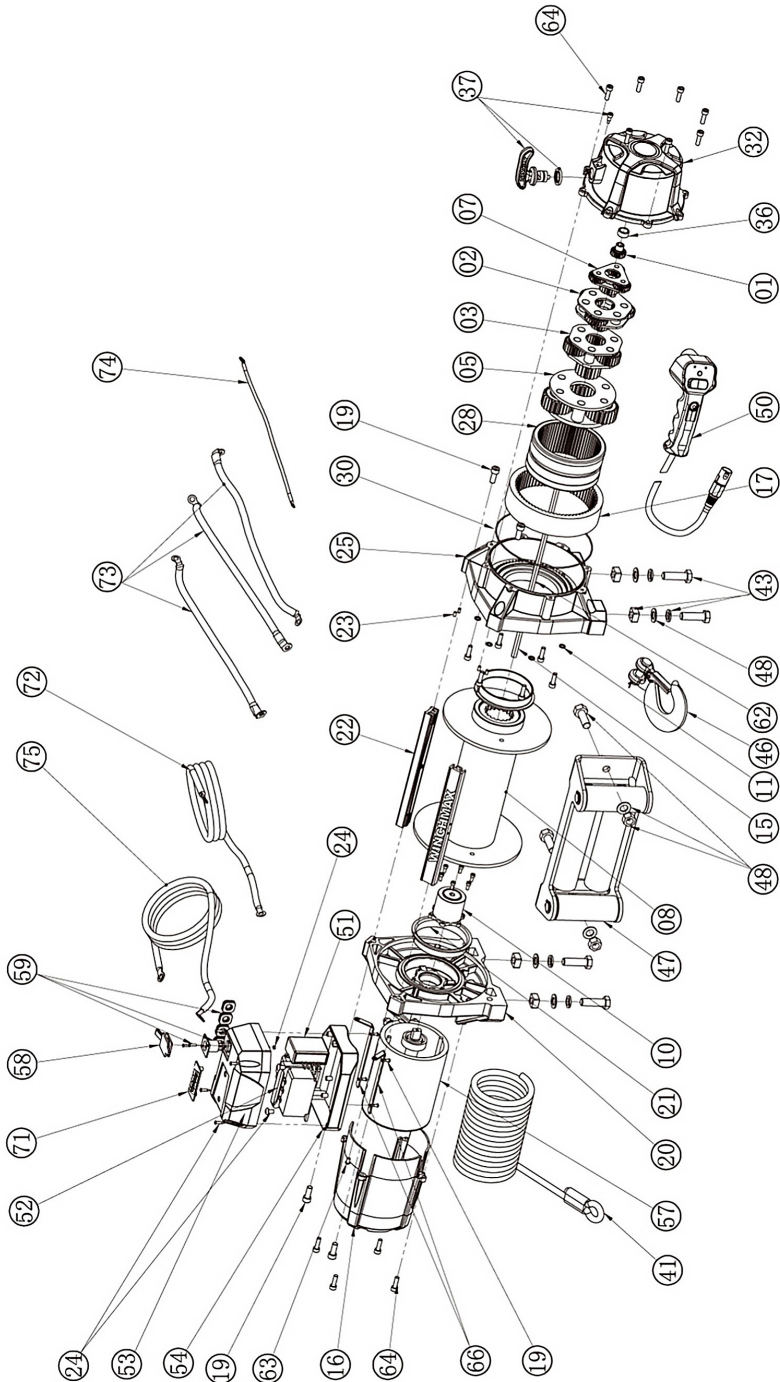
Tiro nominale a linea singola	17500lb (7954kg)	Corrente del motore	65-500A
Motore	Série 6,8cv (5,0kw)	Batteria raccomandata	750CCA Minimo per Winching
Controller	Telecomando wireless e cablato integrato Incluso	Cavi della batteria	Calibro 2. 1,83m 25mm ² - Diametro 5,6mm
Riduttore	Epicycloidale a 3 stadi	Superficie	Rivestimento in polvere arancione testurizzato.
Rapporto	430:1	Peso	66kg
Frizione	Frizione a ruota libera	Modello del perno di montaggio	254mm x 114.3mm
Freno	Automatico nel tamburo	Dimensione complessiva	562mm x 194mm x 248,3 mm
Dimensione del tamburo	88mm x 254mm	Impermeabilità	Classificazione IP67

Strati Di Cavo		1	2	3	4
Trazione linea	lb	17500	15225	13246	11524
	kg	7955	6920	6021	5238
Capacità cumulativa del cavo	ft	19,68	45,92	75,44	85,28
	m	6	14	23	26

Trazione linea	lb	No Load	6000	10000	14000	17500
	kg	No Load	2721	4536	6363	7937
Velocità della linea	ft/min	23,62	9,18	5,9	4,26	2,95
	m/min	7,2	2,8	1,8	1,3	0,9
Corrente del motore	Amps	71	200	300	395	450

Technical

Parts Diagram SL17,500lb Winch



Parts List SL17,500lb Winch

No.	Description	No.	Description
1	Sun Gear	43	Winch Mounting Hardware Set
2	Gear Carrier, Input	46	Clevis Hook
3	Gear Carrier, Intermediate	47	Roller Fairlead
5	Gear Carrier, Output	48	Roller Fairlead Mounting Hardware
7	Gear Carrier	49	Control Box Assy W/O Transmitter
8	Drum	50	Remote Control W/ Transmitter
10	Break Assy	52	Solenoid Assy
11	Washer	53	Control Box Cover
15	Circlip	54	Control Box Base
16	Motor Cover	55	Complete Gear Assy
17	Ring Gear	57	Complete Motor Assy
19	Tie Rod Screw	58	Socket Cover
20	Motor Base	59	Socket Connector Assy
21	Axle Sleeve	62	Drive Shaft
22	Tie Bar	63	Bolt M5 X 8
23	Pin M4 X 8	64	Hexagon Head Bolt M6 X 20
24	Control Box Mounting Brackets and Hardware	66	Motor Gear
25	Gear Box Base	68	Decal Set
28	Clutch Gear	71	Aluminium Winchmax Badge
30	Rubber Seal	72	Cable Battery (+)
32	Gear Box Cover	73	Cable Battery (-)
36	Oil Bearing	74	Ground Cable
37	Clutch Handle Assy	75	Cable Motor
41	Wire Rope with Fix Bolt		



WINCHMAX LTD

The Powerhouse
Earsham Hall, Bungay
Suffolk. NR35 2AN

info@winchmax.co.uk
Tel 0044 1986 899264

Winchmax EURP BV

Kroonwiel 2
6003BT Weert
Netherlands

Registered in England No. 04083040

WINCHMAX LTD
WWW.WINCHMAX.CO.UK