

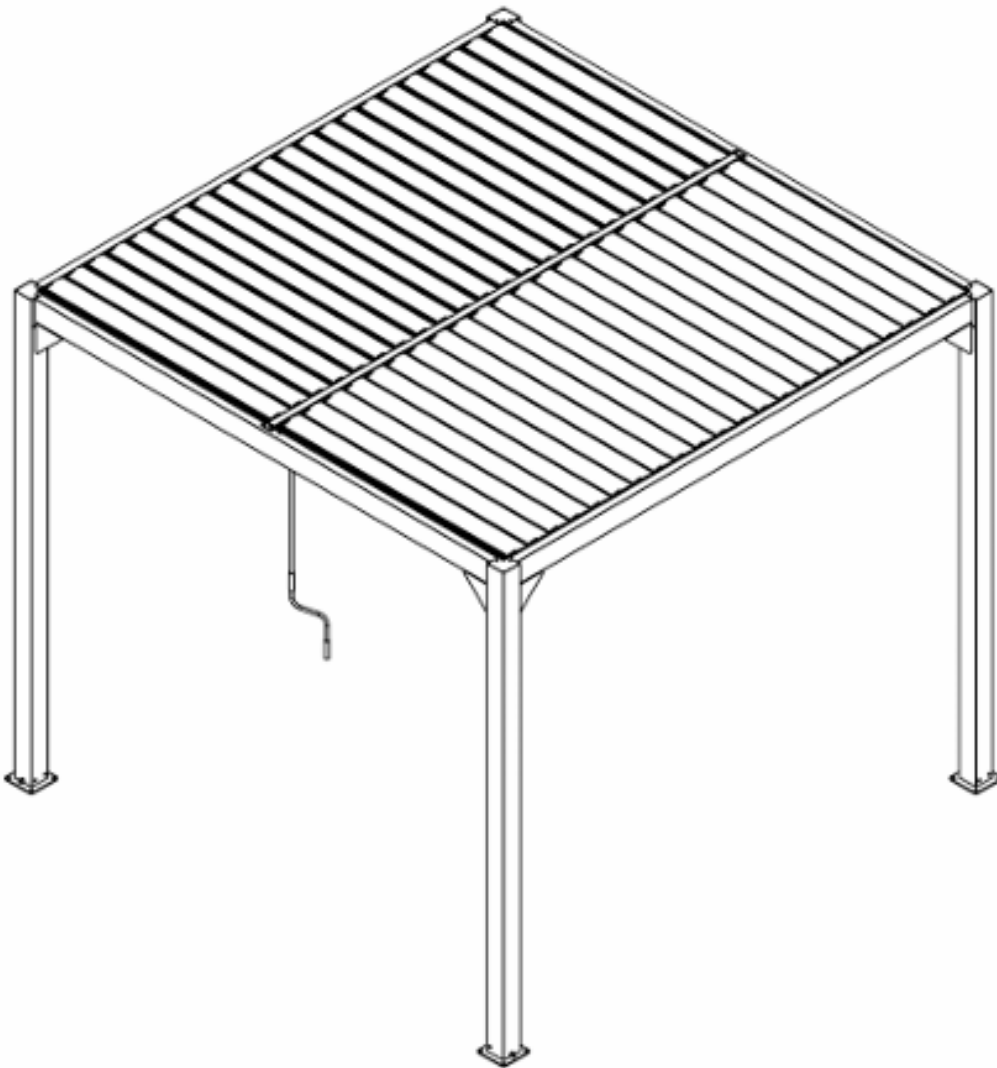


Assembly Instructions for Premium Aluminium Pergolas

2.5x2.5m

3x3m

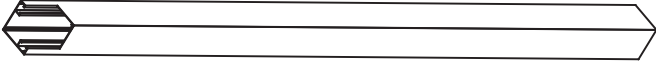






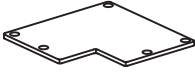
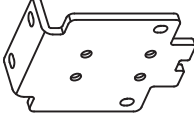




3x4m



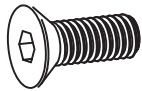
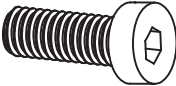
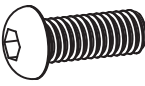

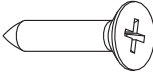
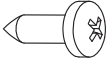
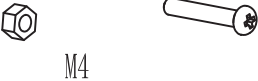
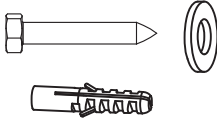
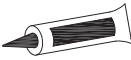

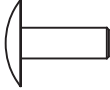



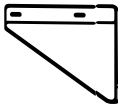
Before you start constructing your Pergola, please follow these guidelines:

- Familiarise yourself with this manual thoroughly prior to commencing assembly.
- Verify that you have all the necessary parts listed. Retain all packaging until you confirm the completeness of the parts.
- Assemble the product on a soft and level surface.
- Store plastic bags, tools, and fittings out of reach of children and pets.
- Periodically inspect and tighten all fittings securely after extended use.
- Avoid altering the product, using unauthorised tools, or substituting parts, as this will invalidate your warranty.
- Exercise caution while handling heavy components, employing correct posture and lifting techniques. Seek assistance if needed.
- Please be aware that we cannot accept liability for any damages incurred due to regular wear and tear, incorrect assembly, misuse, or negligence.

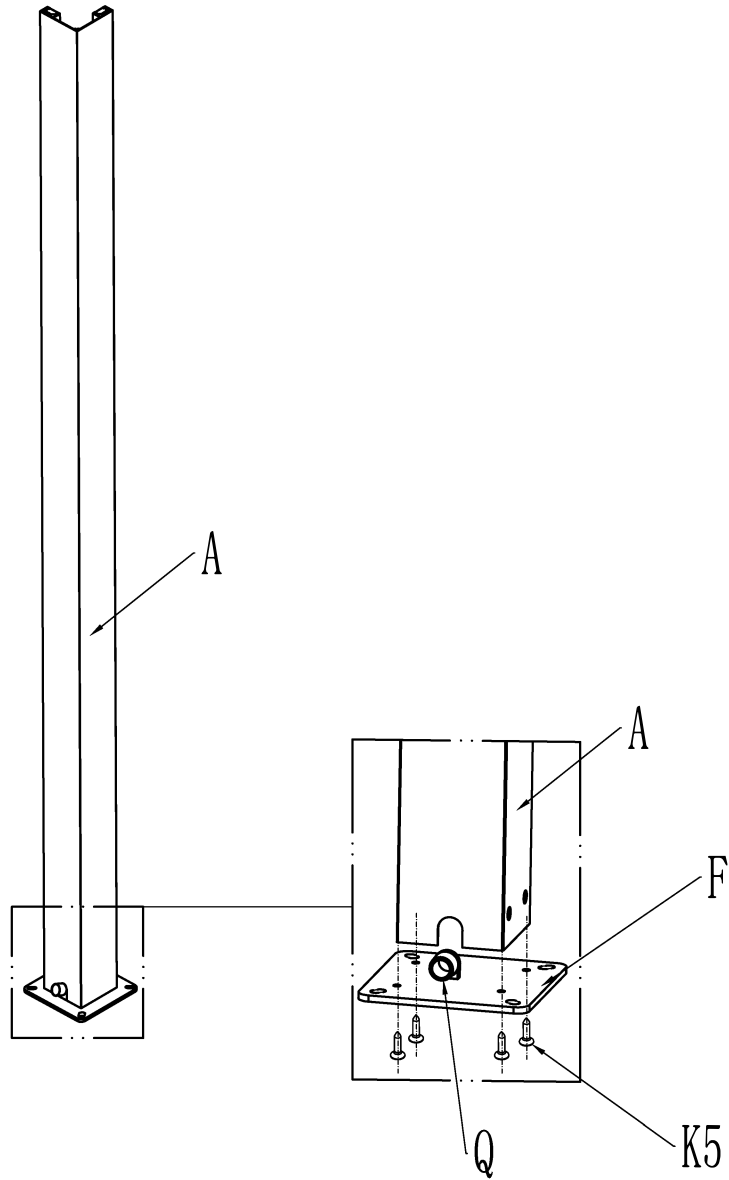
Spare parts list

Label No.	Part description	Drawing	Qty
A	Column		4
B1	Beam (Left)		1
B2	Beam (Right)		1
C	Front and Rear beams		2
D	Middle Beam		1
E	Slat or Louver		2.5x2.5=36 3*3/4*3=44 3*4/4*4=60
F	Column Bottom Plate		4
G	Column Cover Plate		4
H	Connectors for Middle Beam		2
I	Coner nut		8
J	Holddown 1		8
L	Hinge ring		2
M	Hand Crank		1

Spare parts list

Label No.	Part description	Drawing	Qty
K1	Inner hexagonal screw	 M6x16	8
K2	Hexagon socket head screws	 M8*25	16
K3	Hexagon Pan head screws	 M6x16	16
K4	Flat washer	 $\phi 6$	8
K5	Cross recessed countersunk head tapping screws	 ST5.5*32	16
K6	Cross recessed pan head tapping screws	 ST5.5*16	12
K7	Screw+nut	 M4 M4x20	2
K8	Woodworking screw+ plastic expansion pipe + Flat washer	 M8*75 $\phi 8$ $\phi 10*50$	16
K9	Glass Glue		1
K10	Large flat head self-tapping self-drilling screws	 ST4. 2x25	32
N	Plastic jam		2.5x2.5=72 3*3/4*3=88 3*4/4*4=120
O	Hole jam		16
P	Nut cover		16
Q	Drainage connector		4
R	Corner supporter		8

1. Clamp the part Q into the slot of column A.
Then install the bottom plate F on the
column A, and tighten the screw K5.

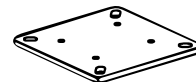


K5



QTY: 16PCS

F



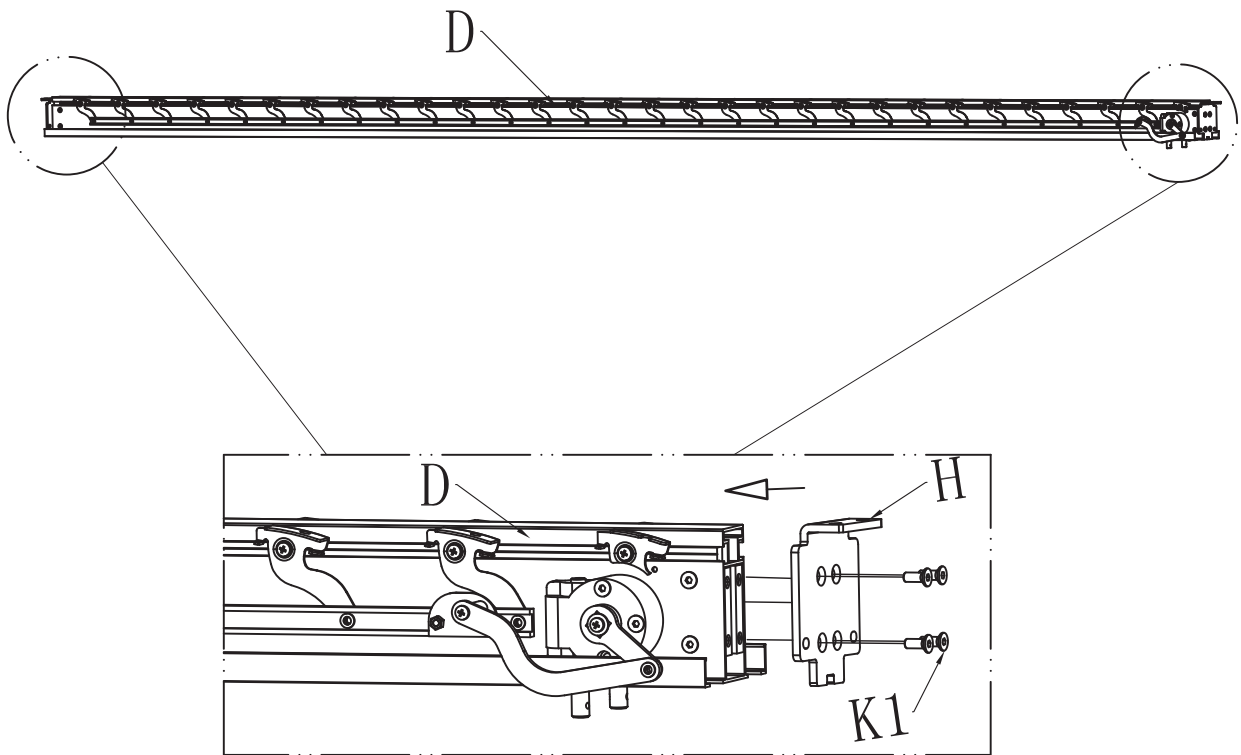
QTY: 4PCS

Q



QTY: 4PCS

2. Match the connector H with one side of middle beam D, then tighten the screw K1; then complete the other side.

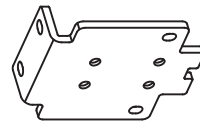


K1



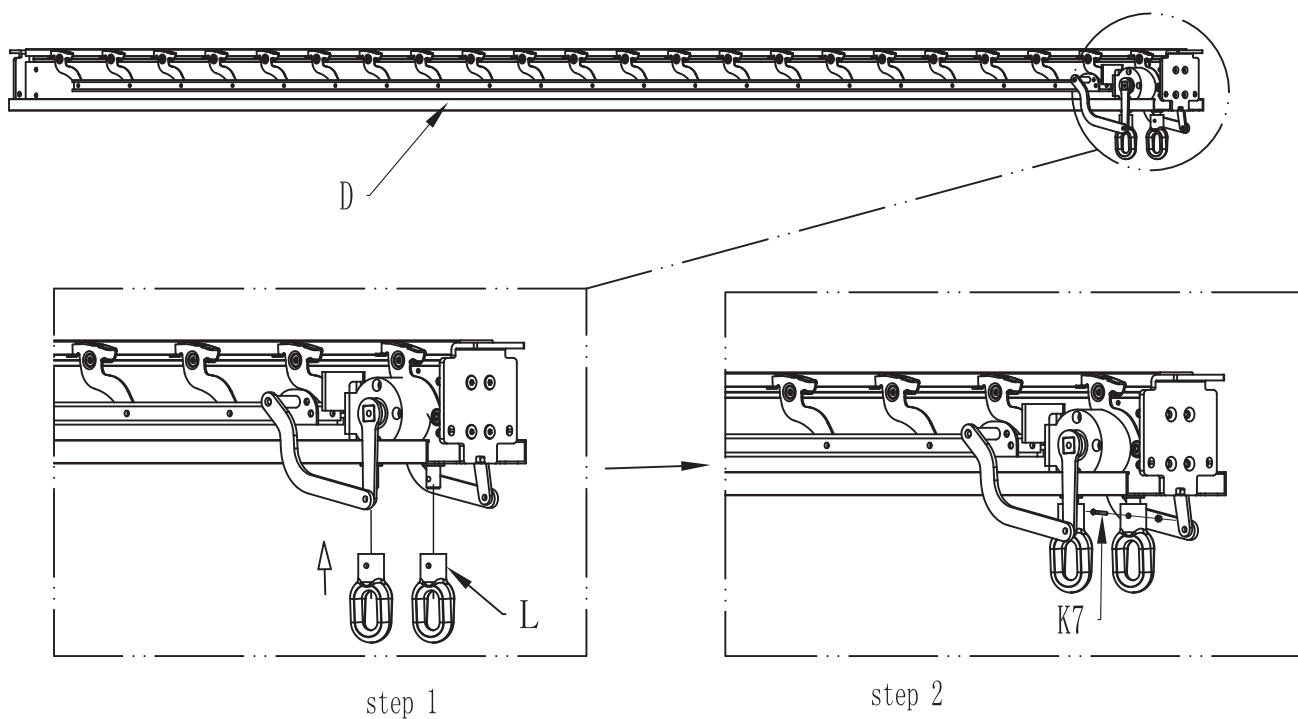
QTY: 8PCS

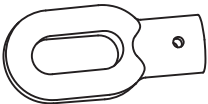


H



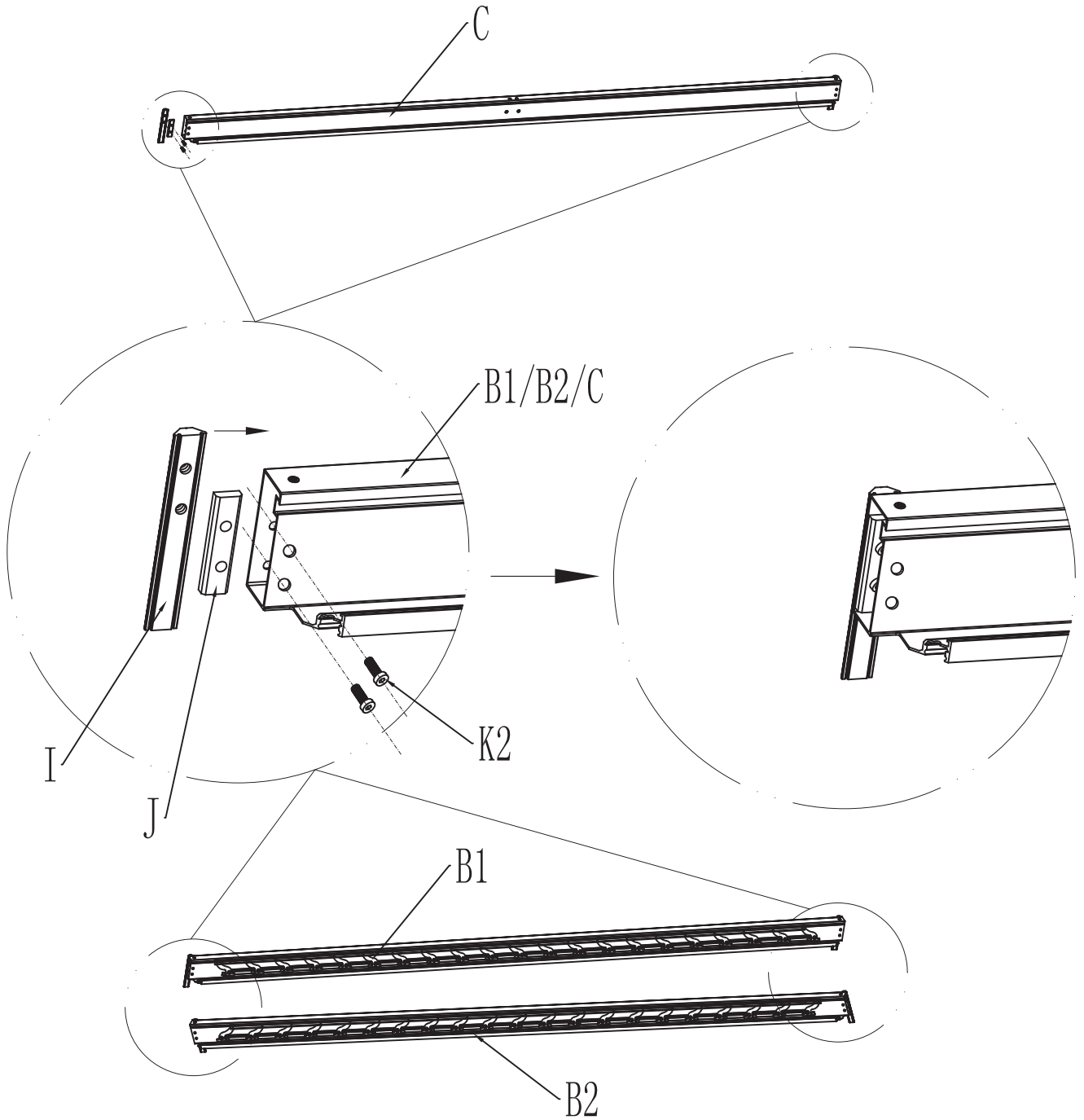
QTY: 2PCS




3. Put two hinge rings L into the gearbox drive shaft on the beam D, fix the screw + nut K7.



L		QTY:2PCS	K7	M4 		M4*20	QTY:2SET
---	---	----------	----	--	--	-------	----------

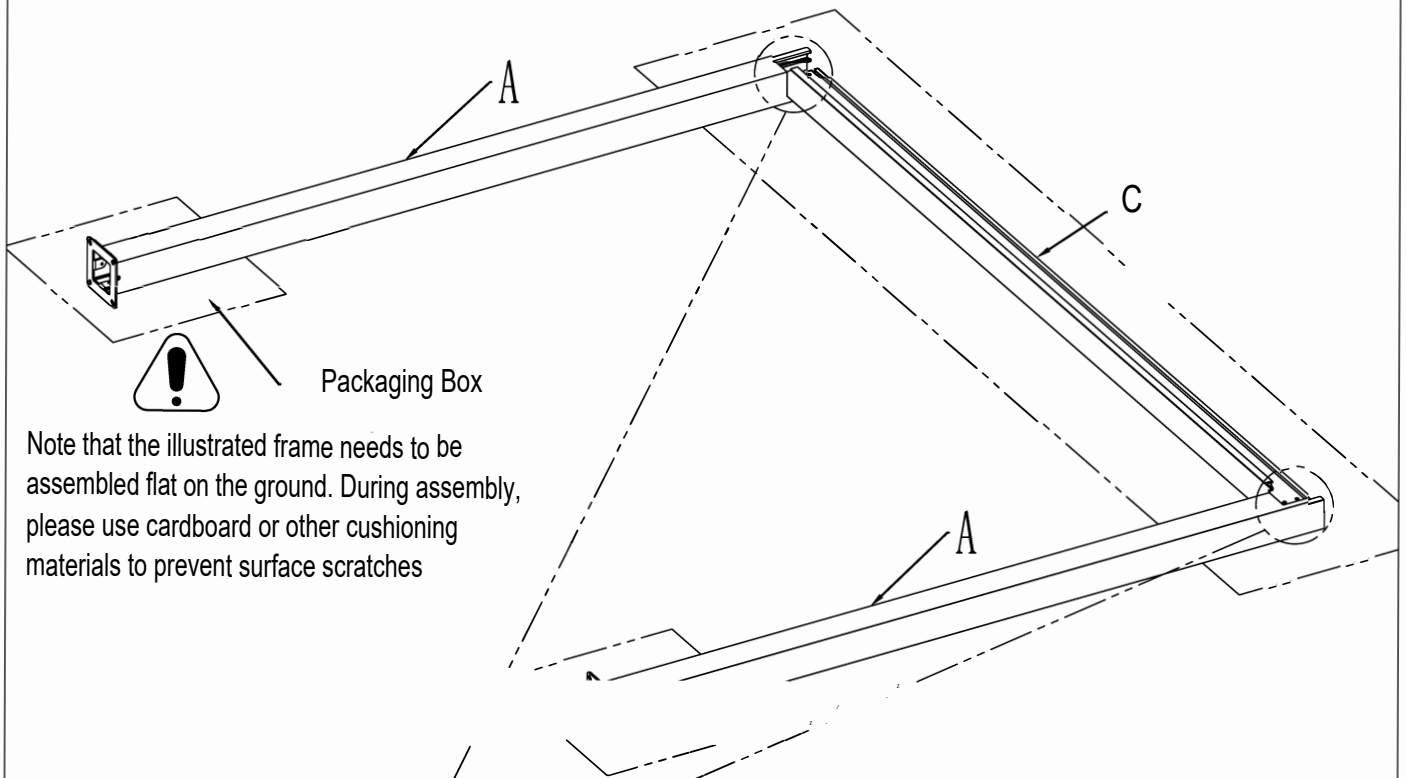
4. Place the pressure block I (J) into the beam B1/B2/C, and place the corner nut strip (I) outside the beam B1/B2/C. Align the corresponding holes and connect the pressure block I (J) corner nut strip (I) with the beam B1/B2/C using K2 screws. Do not tighten the K2 screws (3-5mm empty); Complete the other end again.



I		QTY: 8PCS	J		QTY: 8PCS
K2		QTY: 16PCS			

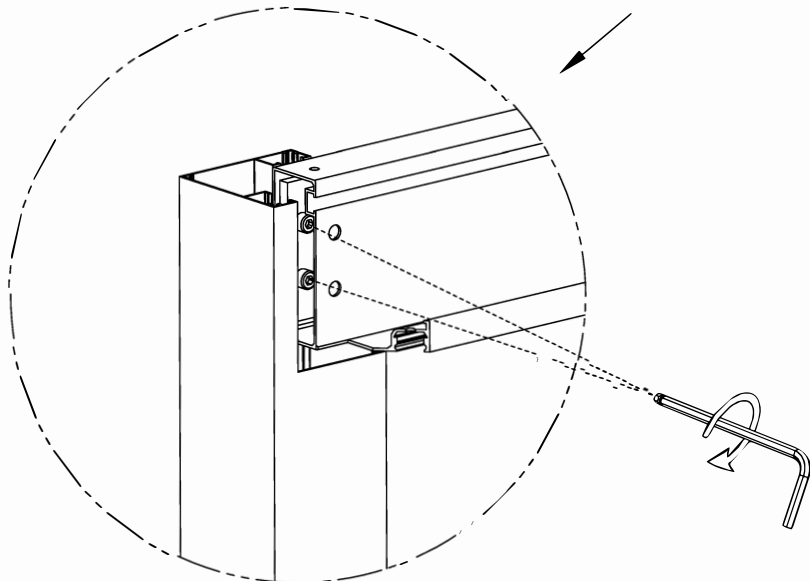
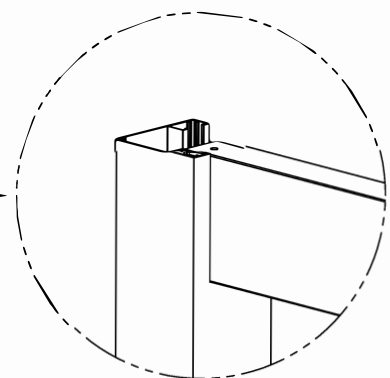
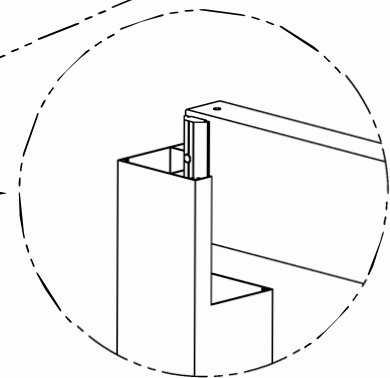
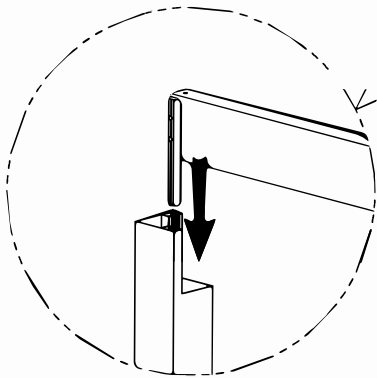
5. Assemble the frame

step 1

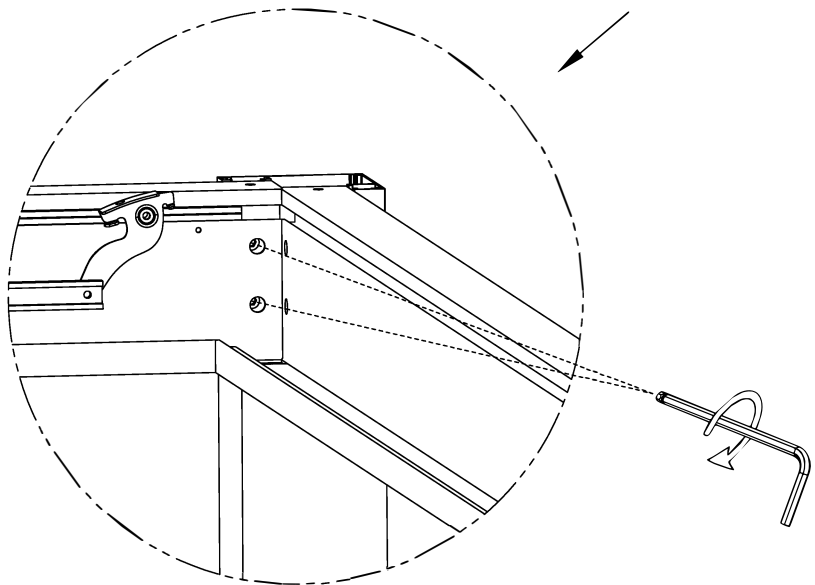
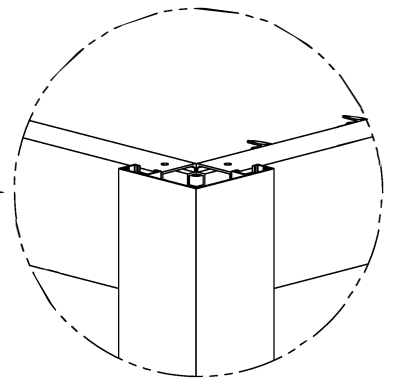
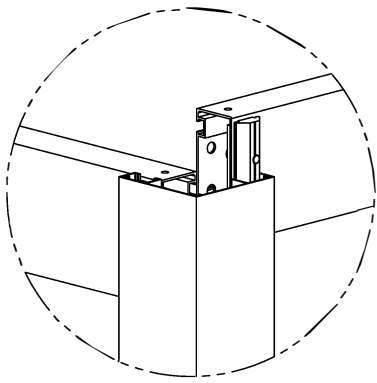
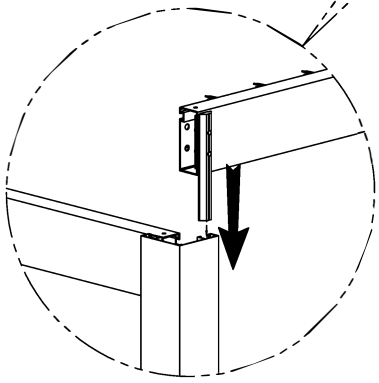
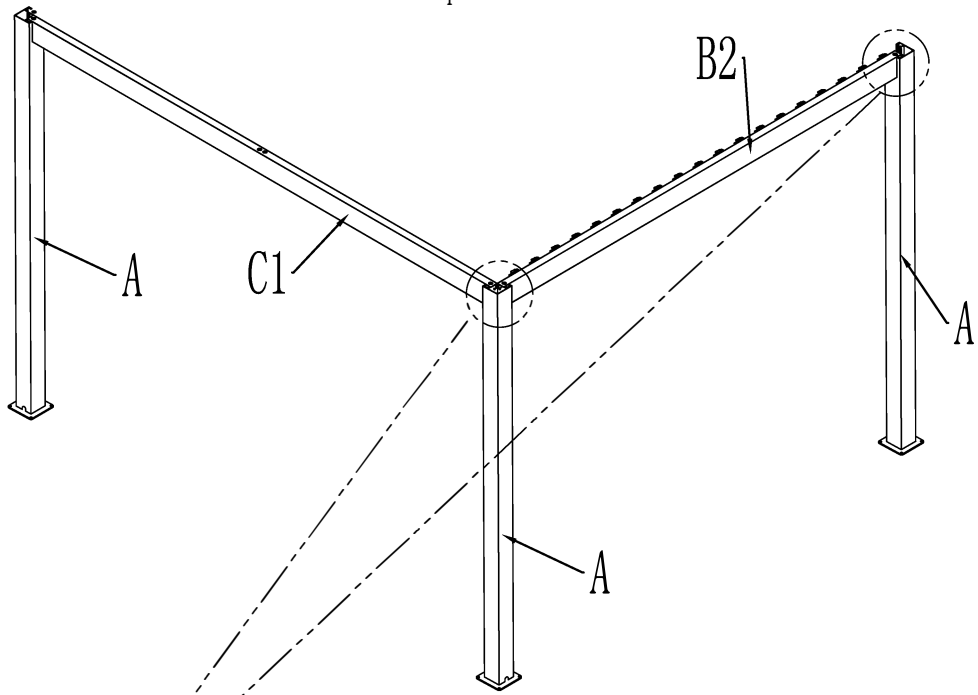


Packaging Box

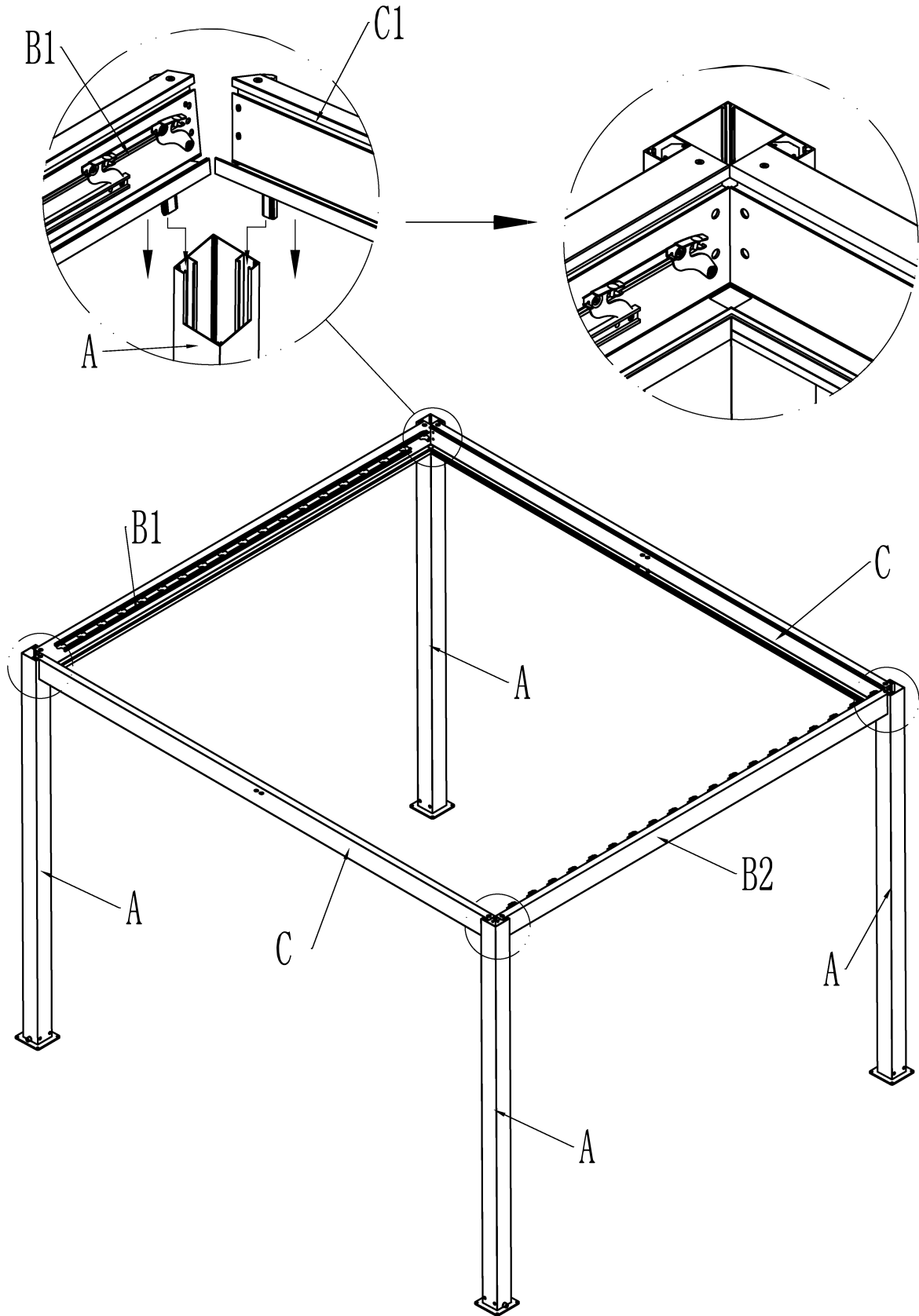
Note that the illustrated frame needs to be assembled flat on the ground. During assembly, please use cardboard or other cushioning materials to prevent surface scratches



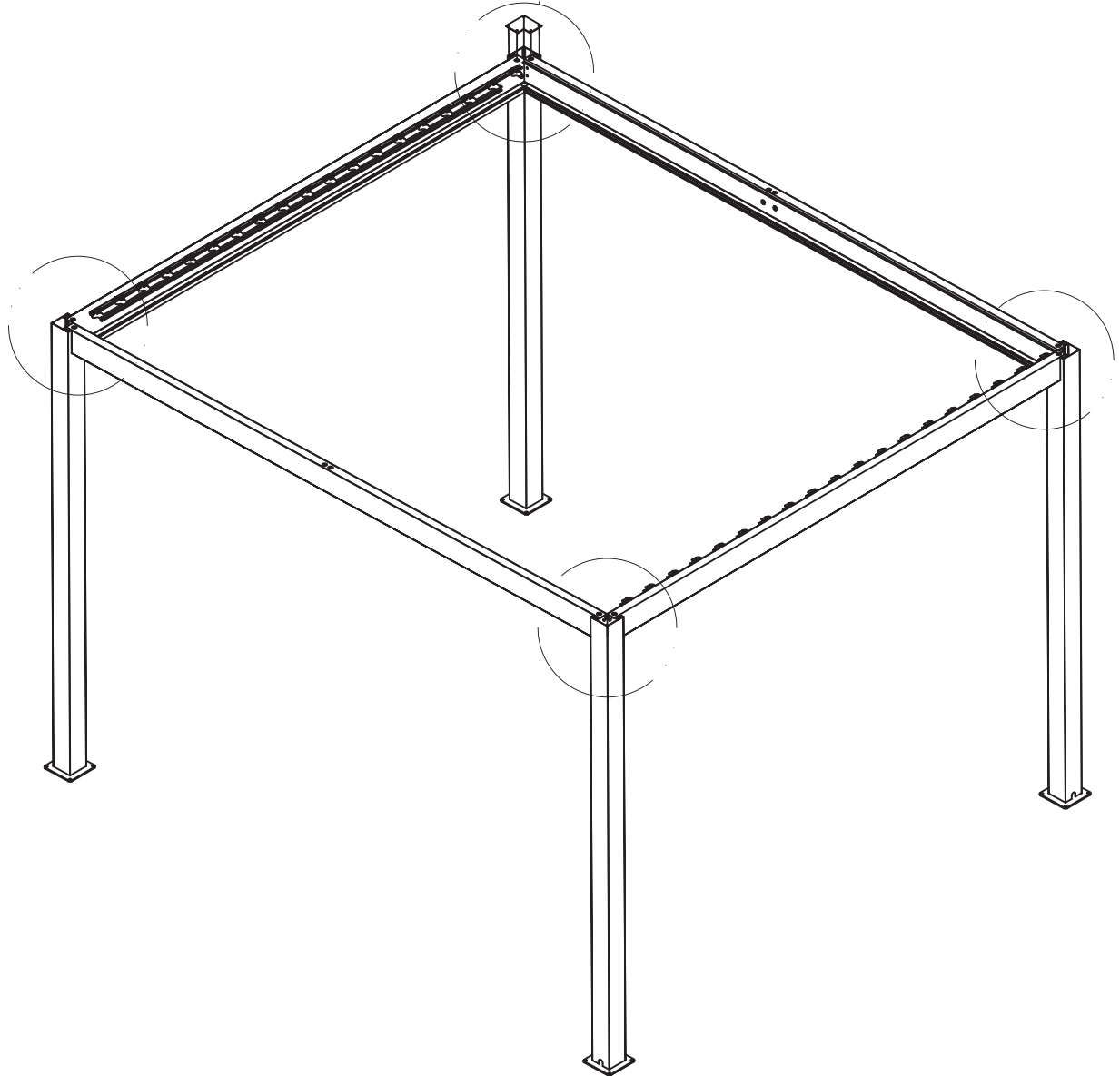
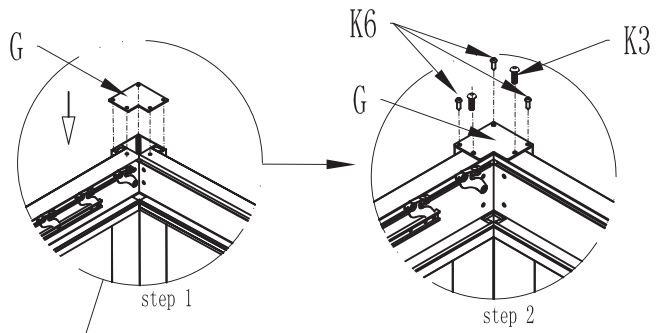
step 2


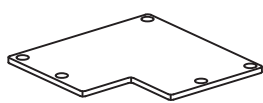



step 3



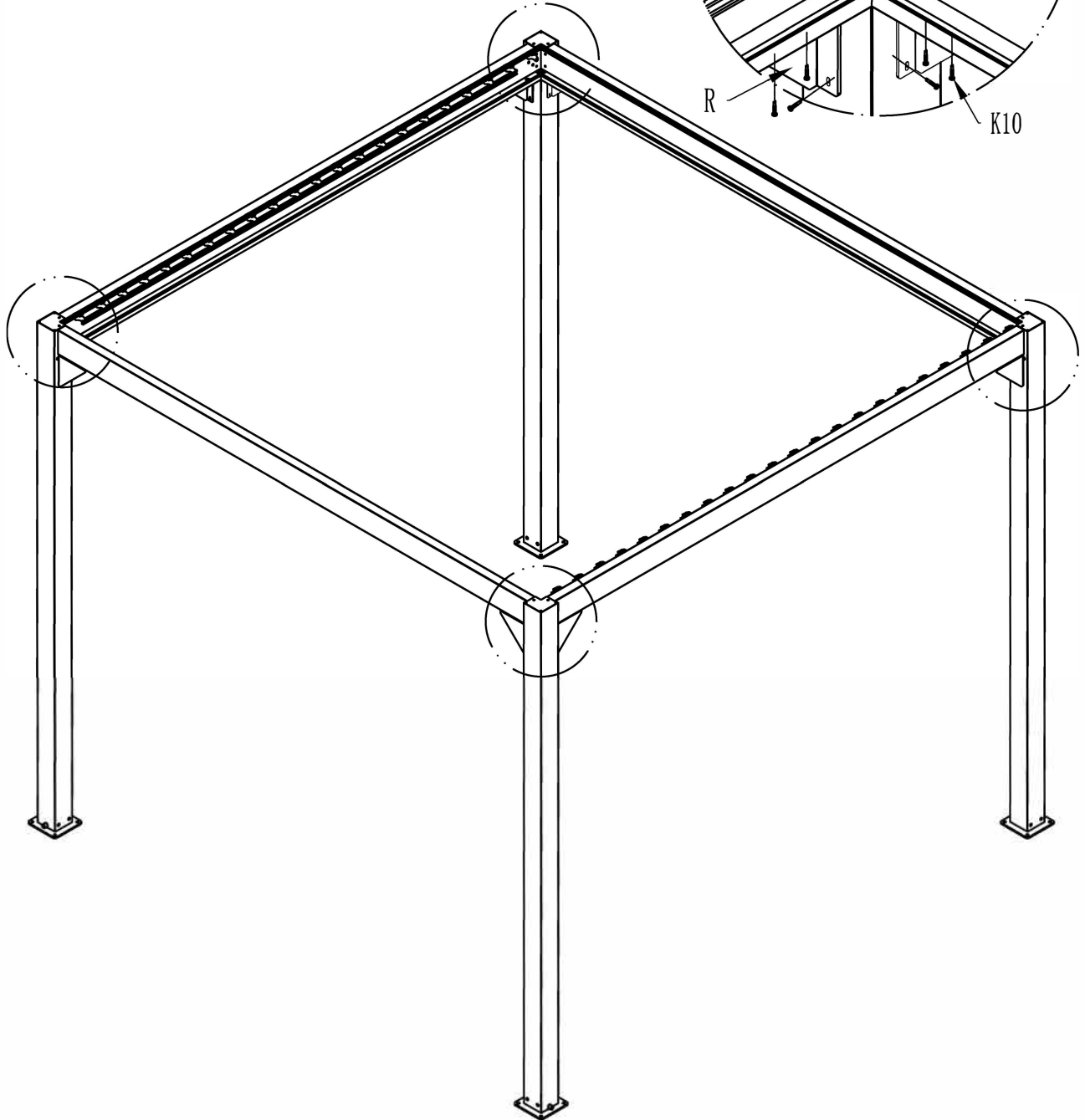
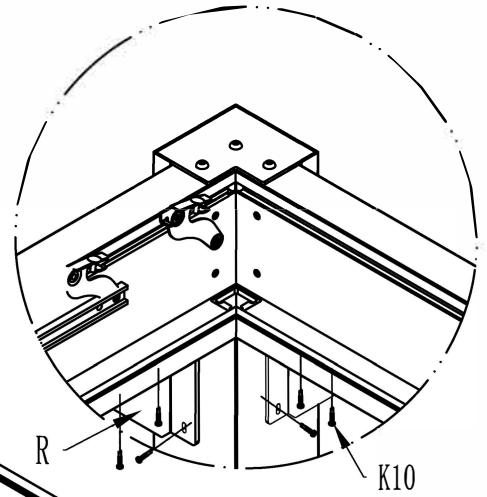
6. Install the four column cover plates G on the connecting angles between the column and the crossbeam, and then install the screws K3/K6 in sequence; Tighten K3/K6, then tighten the K2 screw from step 4.



K6		QTY: 12PCS	G		QTY: 4PCS
K3		QTY: 8PCS			

7. Align the corner supporter R with the bottom edge of the beam and the inner side of the column, and tighten it with self-tapping self-drilling screws K10.

Please note: The corner supporters are optional. In order to install screens you will need to remove these corner supports.

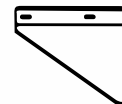


K10



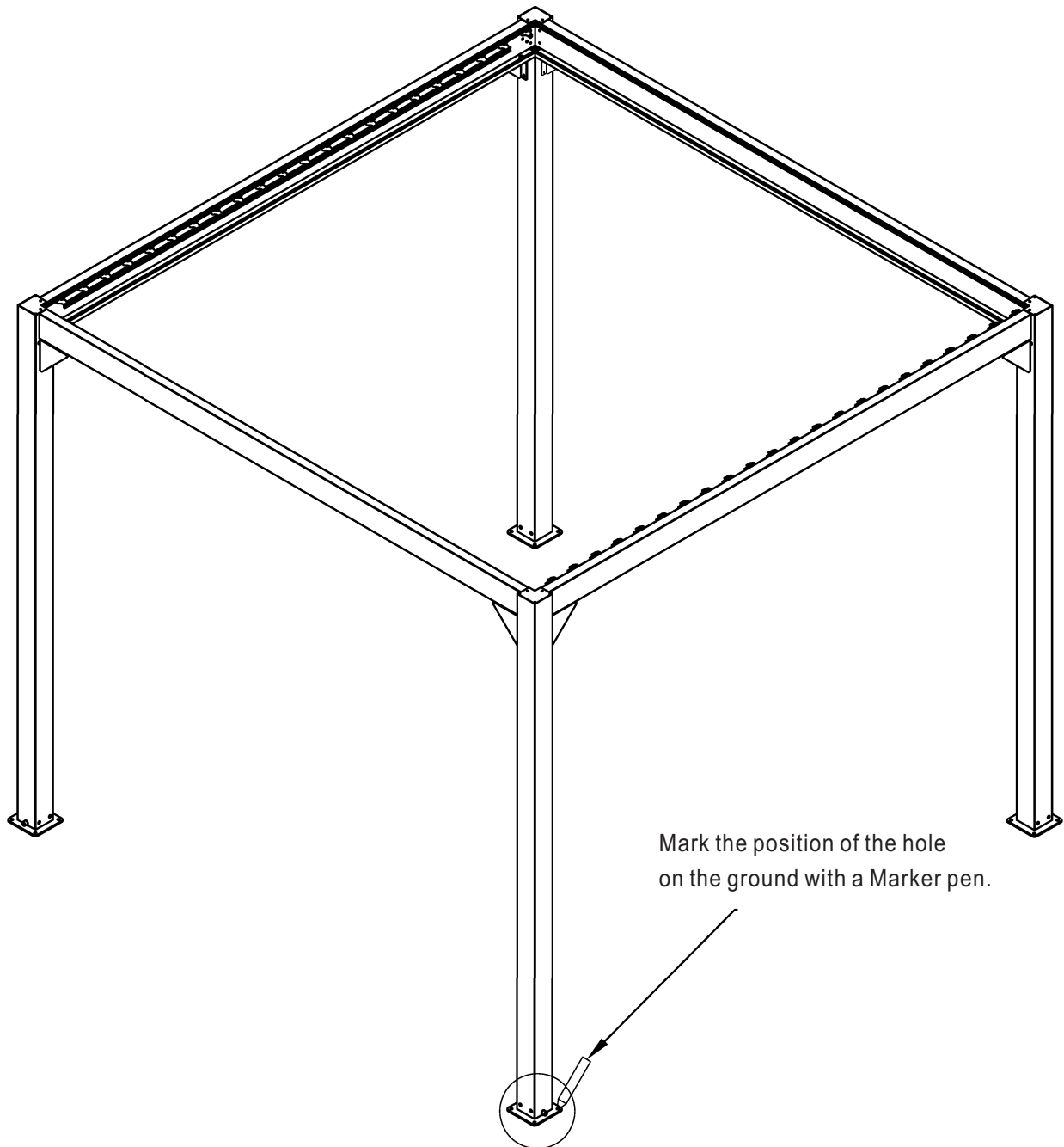
QTY: 32PCS

R



QTY: 8PCS

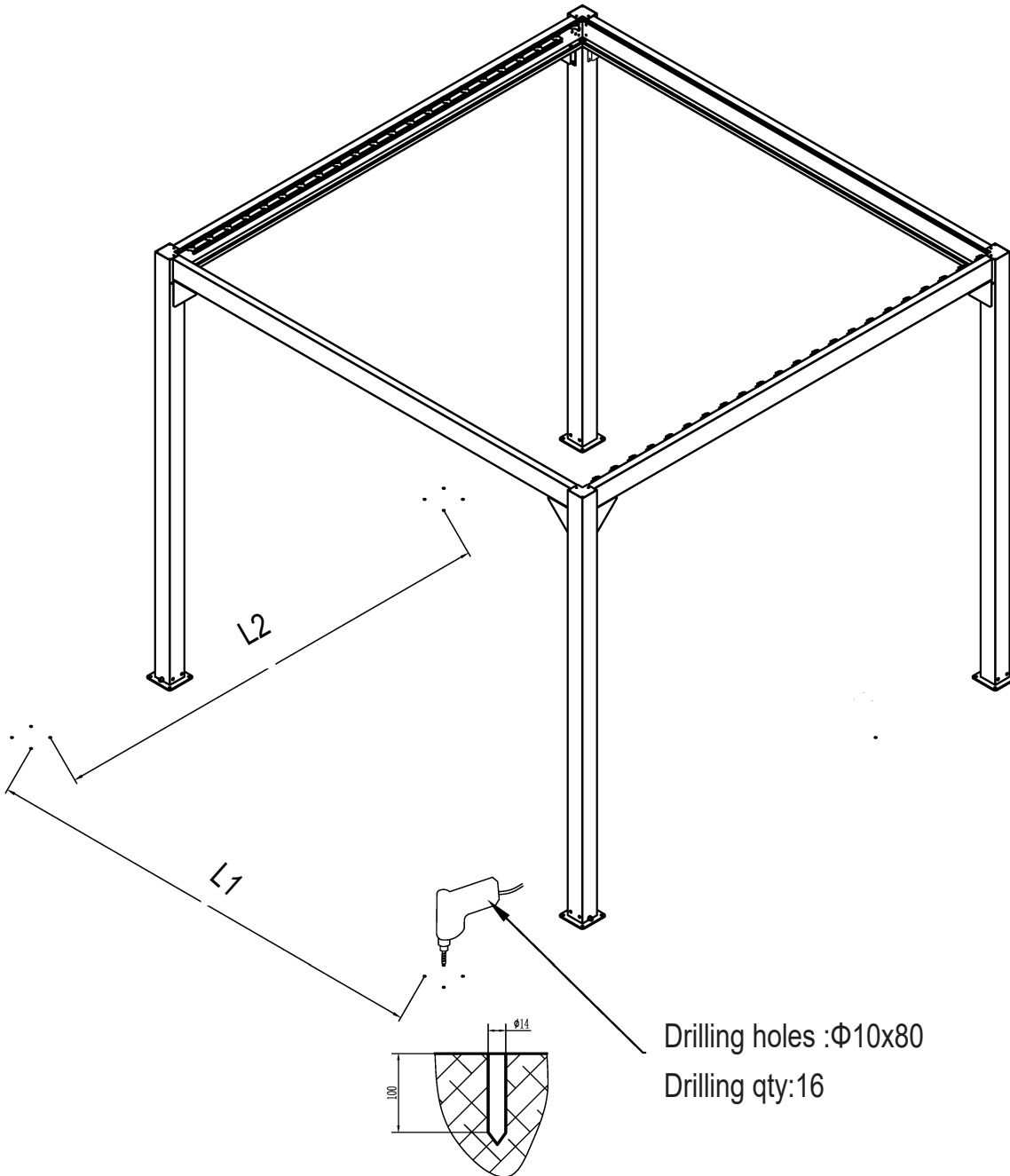
8. Adjust the position of the four columns, so that they remain perpendicular to the ground. Simultaneously measure the top width between each two columns to be consistent with the width at the bottom of the ground. Then use a marker to mark the corresponding positions of 16 bottom plate and ground connection holes on the ground through the holes on the bottom plate.



Tool used: marker pen (to be provided by the installation worker)

9.Remove the product from the mark and use an impact drill to drill $\Phi 10 \times 80$ holes at each of the 16 marked positions on the ground.

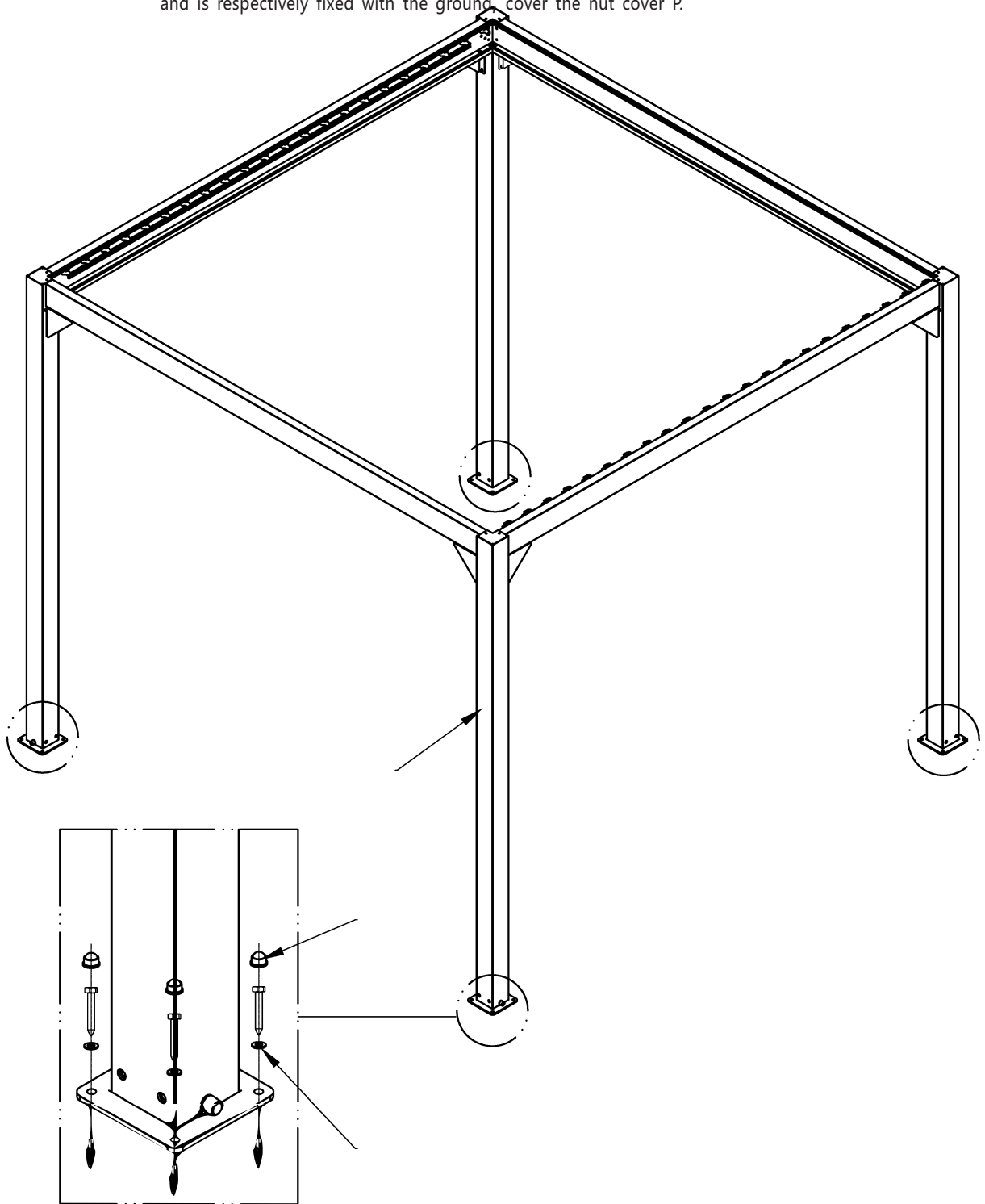
Size	L1(MM)	L2(MM)
3x3M	2676	2676
3x4M	2676	3668
4x3M	3668	2676
4x4M	3668	3668



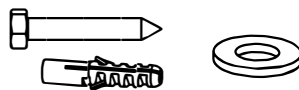
Tool Used: Impact Drill (to be provided by the installation worker)

Tool Used: Impact bit $\Phi 10$ (to be provided by the installation worker)

10. The plastic expansion pipe is put into the bottom hole of the column, then the product is moved back to the drilling hole, and the bottom plate holes of the four columns are respectively aligned with the drilling holes on the ground then the gasket is put into the woodworking screw and is respectively fixed with the ground, cover the nut cover P.



K8



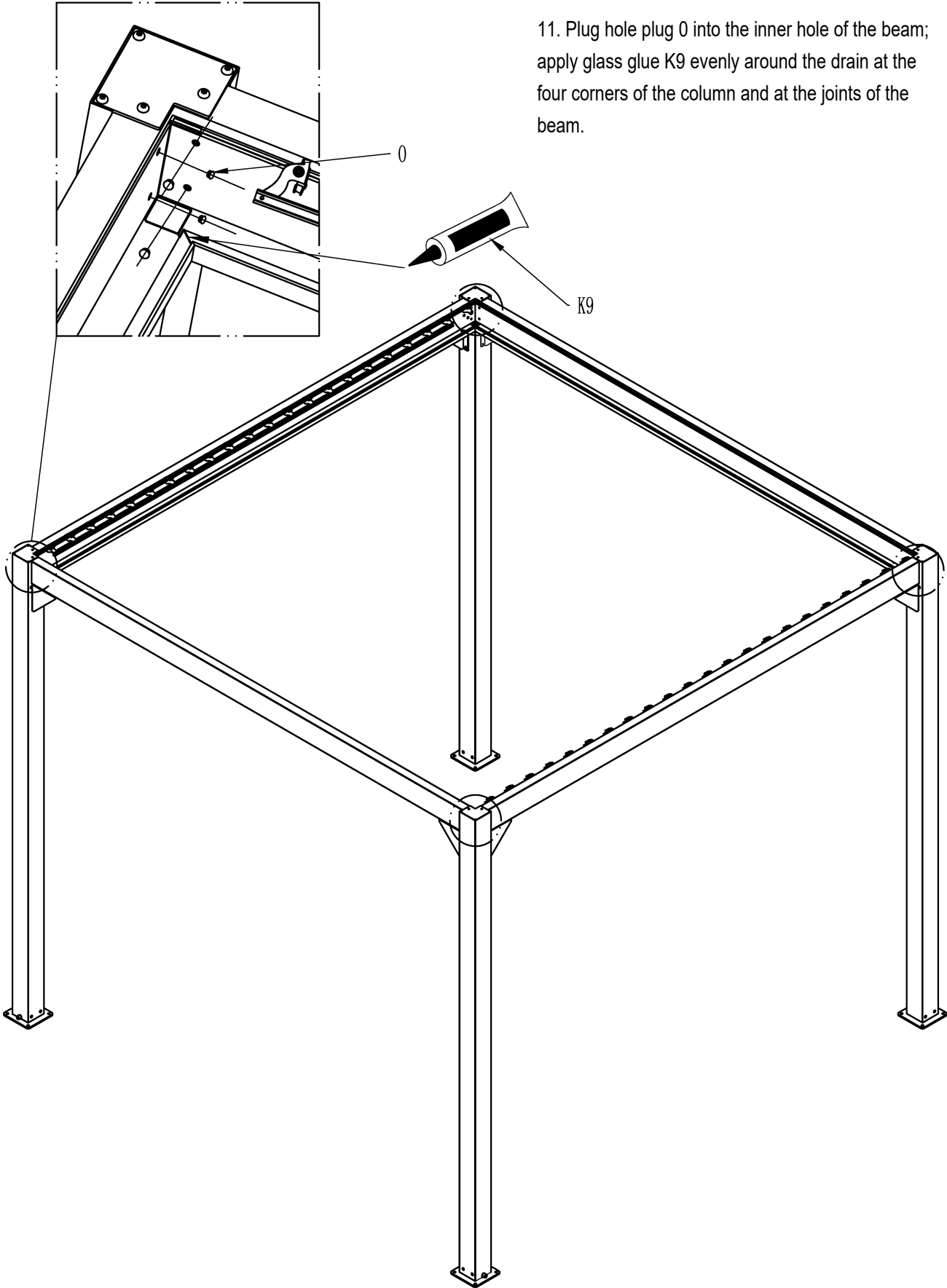
QTY: 16PCS

P



QTY: 16PCS

11. Plug hole plug 0 into the inner hole of the beam; apply glass glue K9 evenly around the drain at the four corners of the column and at the joints of the beam.



K9



QTY: 1PC

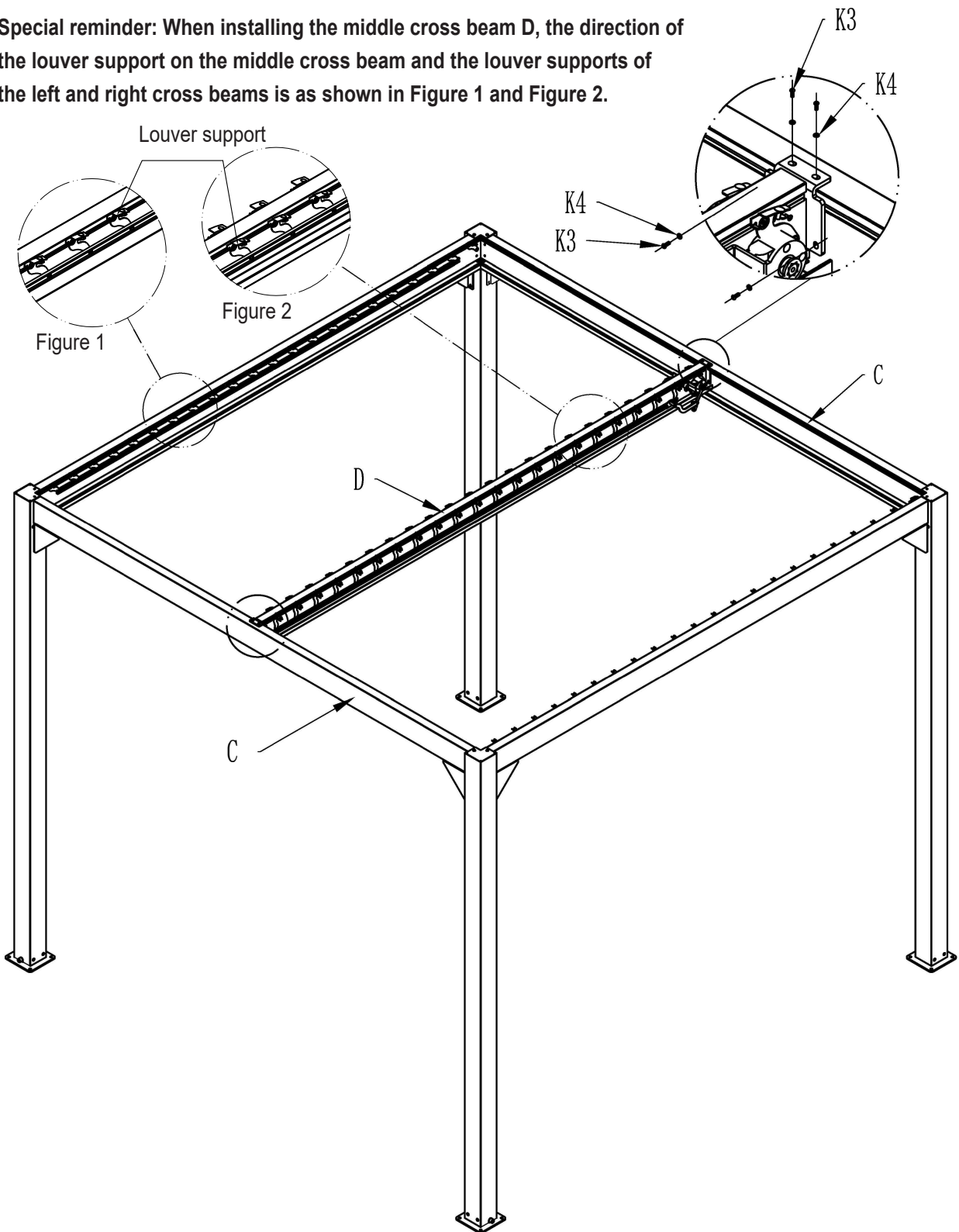
0



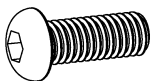
QTY: 16PCS

12. Put the middle crossbeam D on the front and back crossbeam C, put the washer K4 on the screw k3, connect the middle crossbeam D to the front and back crossbeam C, pay attention not to tighten the screw.

Special reminder: When installing the middle cross beam D, the direction of the louver support on the middle cross beam and the louver supports of the left and right cross beams is as shown in Figure 1 and Figure 2.



K3



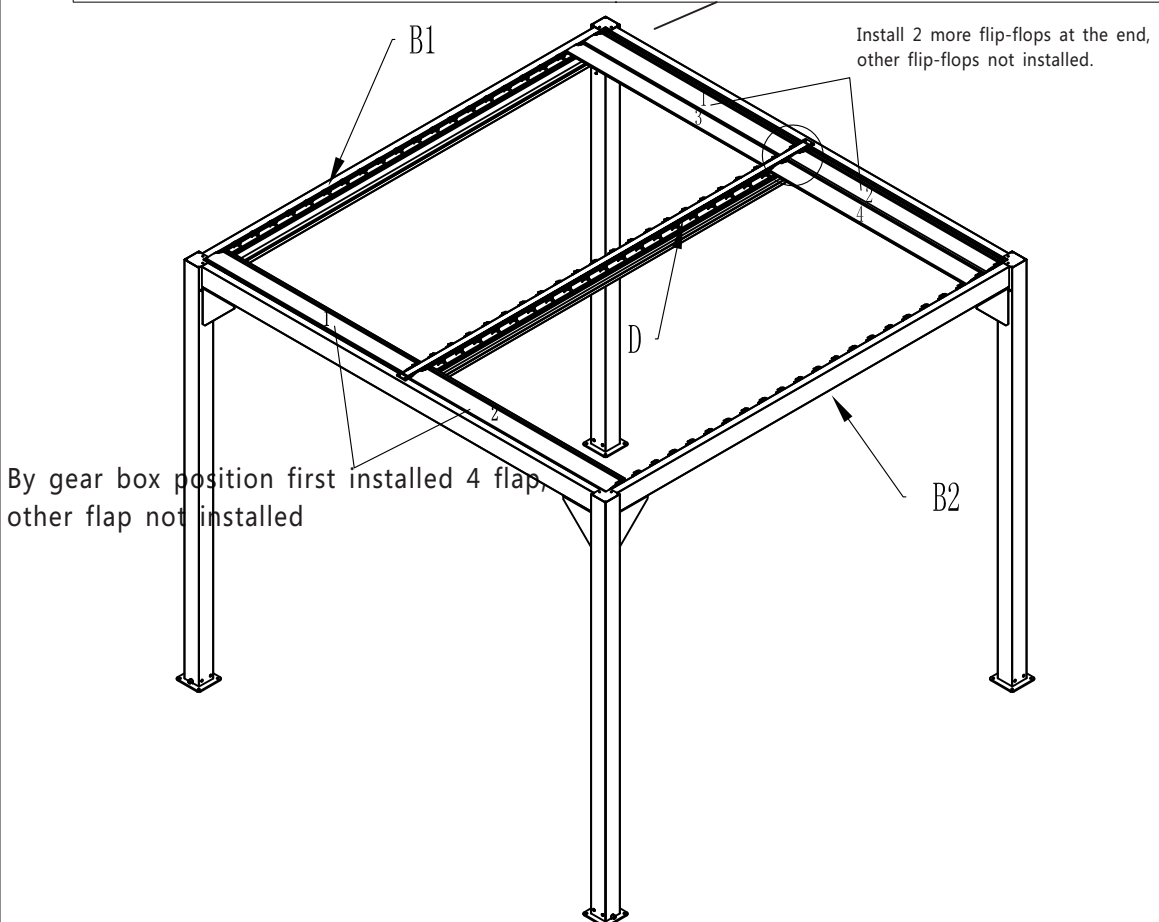
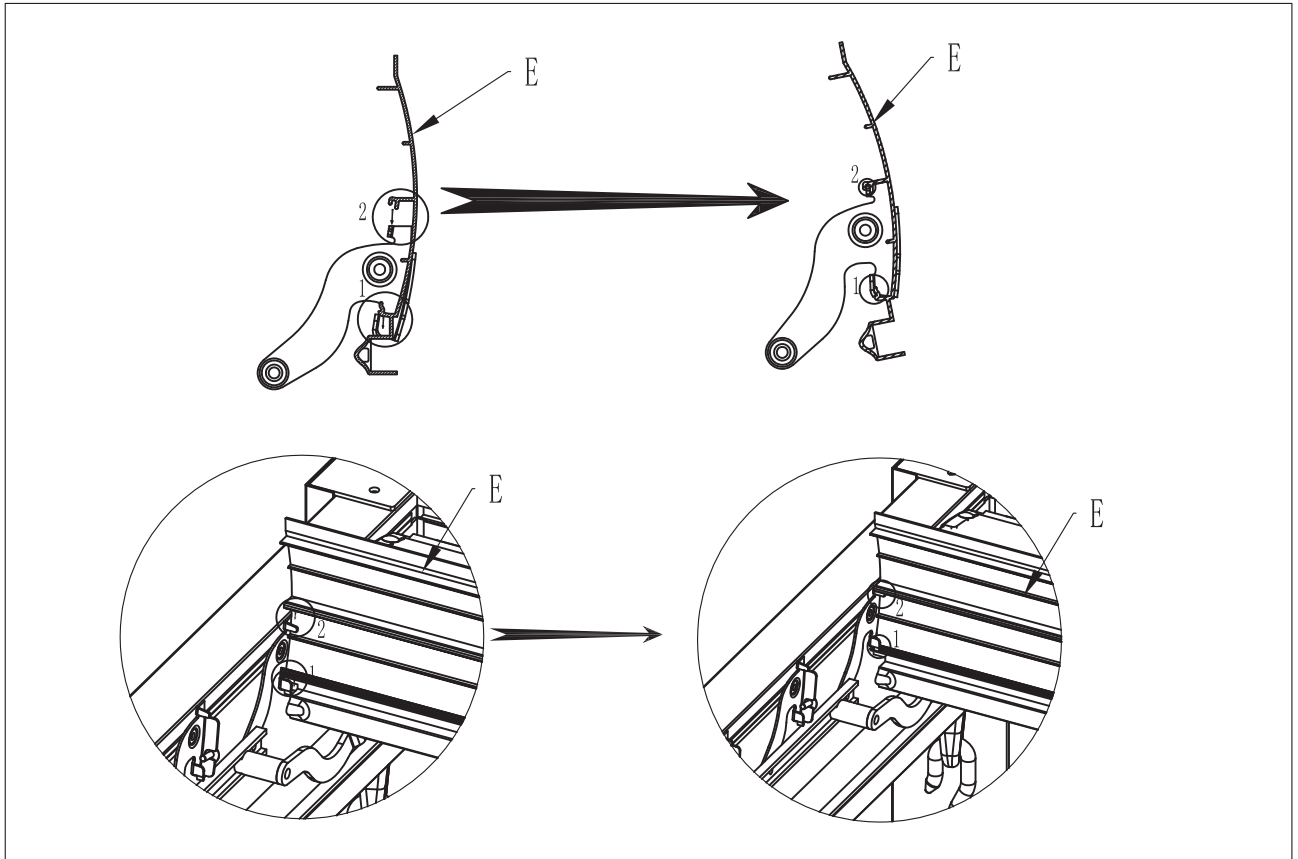
QTY: 8PCS

K4

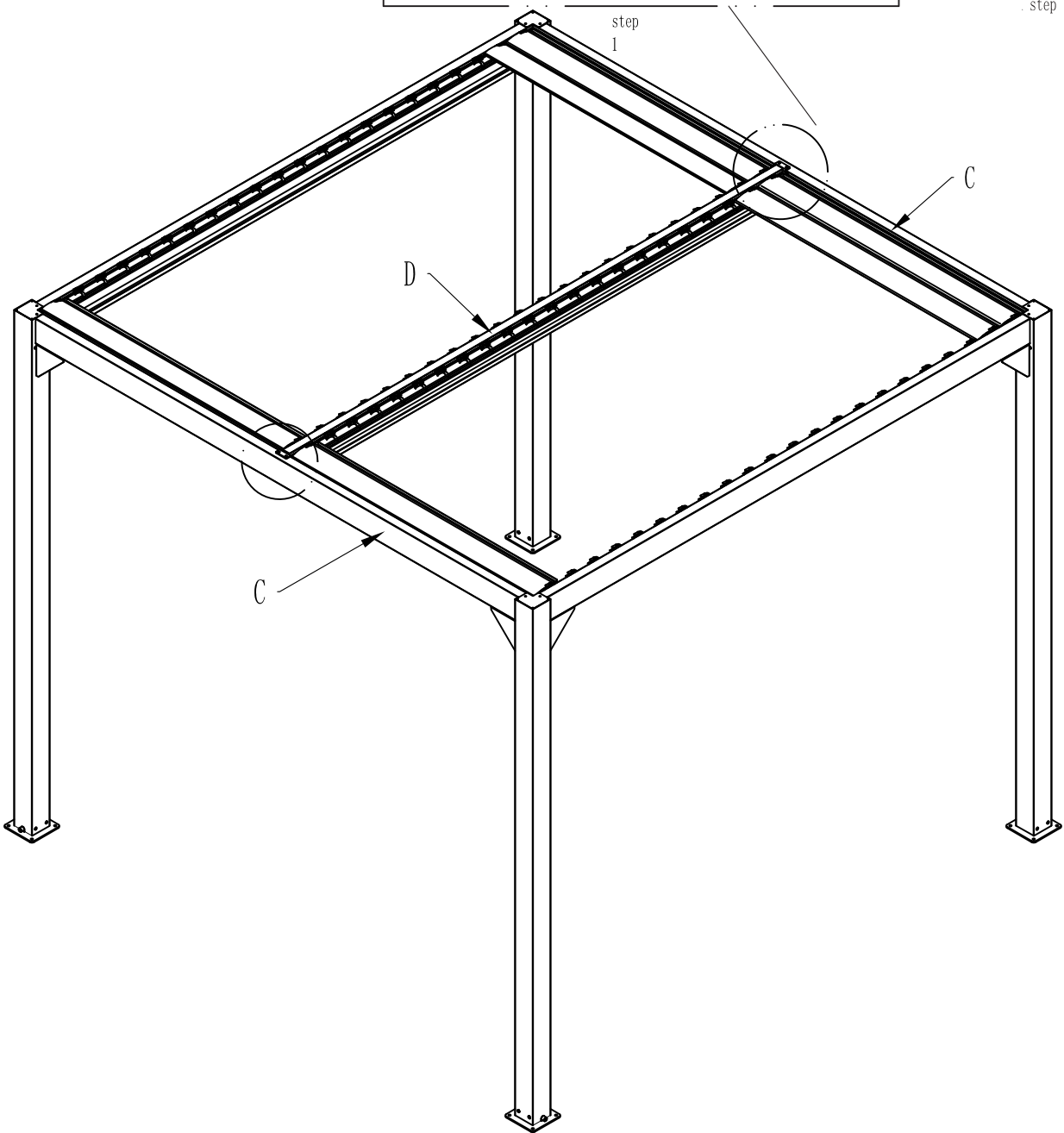
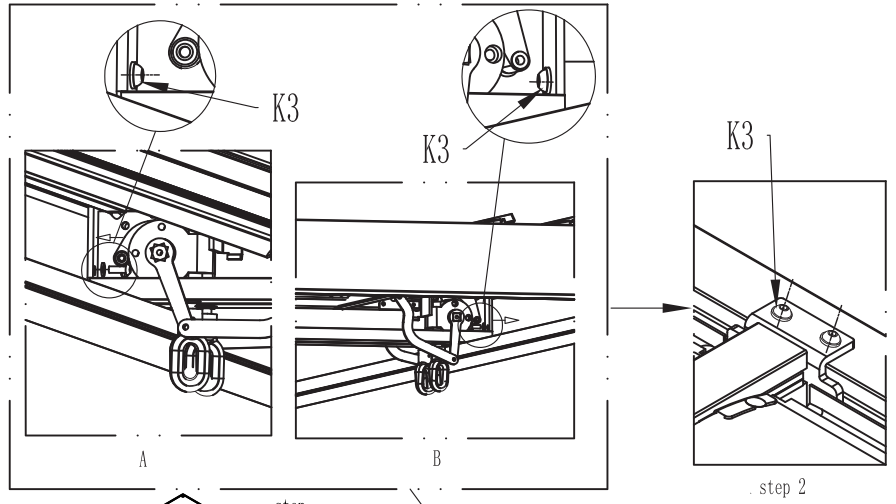


QTY: 8PCS

13. According to the diagram, first clip the flap E into the supporting tail of the two end beams, then press down on the flap so that the card is clamped and installed in the direction indicated by the arrows at the 1 and 2 positions of the clamp respectively, and fasten the corresponding position of the flap according to the diagram.



14. Tighten and fix the screw k 3 in step 11, and then fasten the remaining flap in turn.



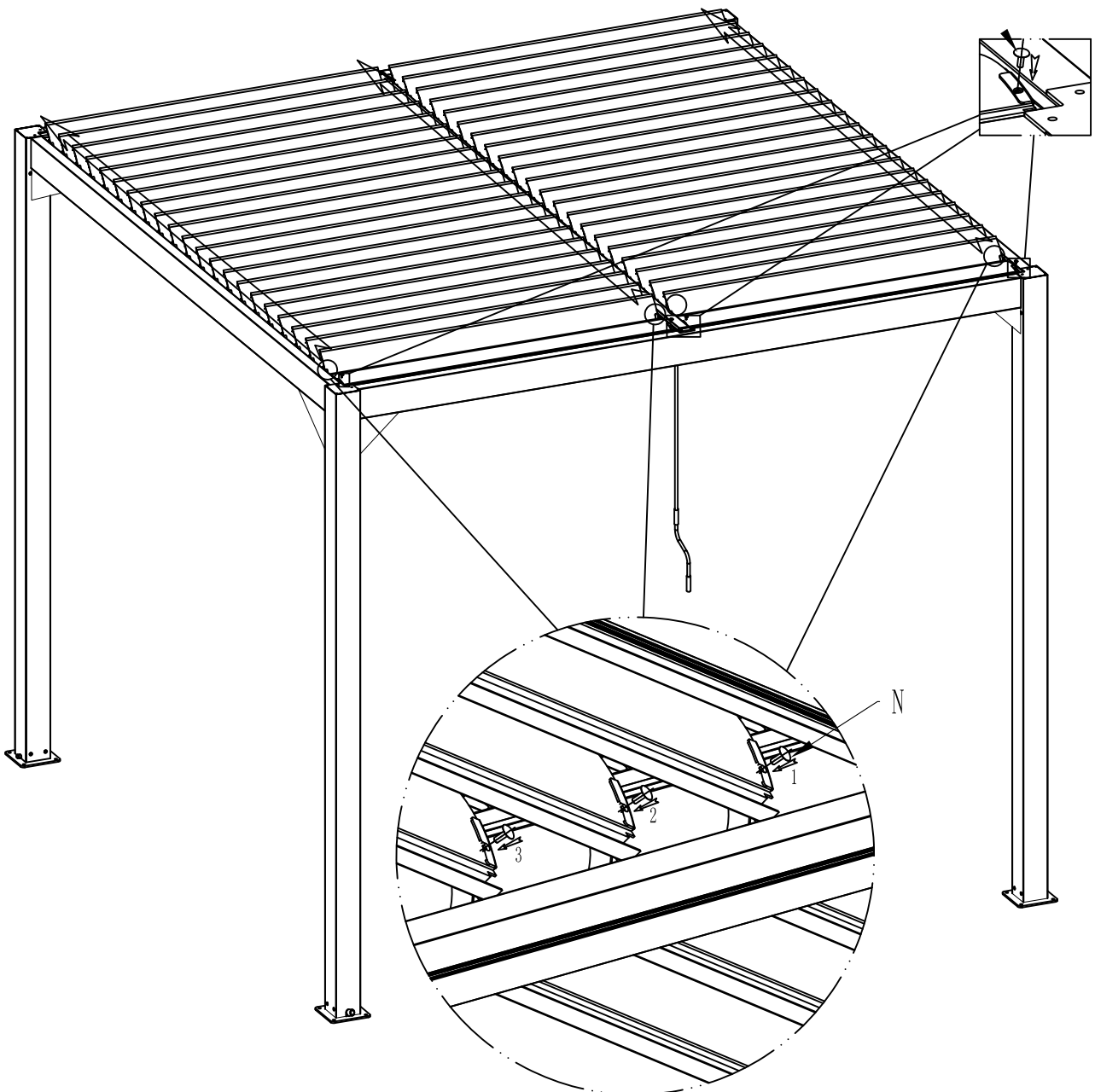
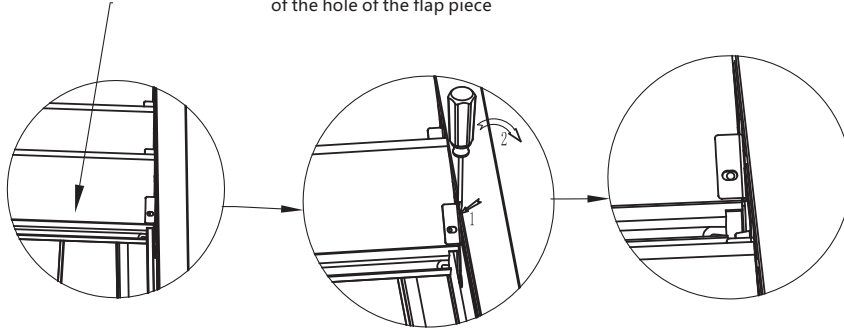
15. Each flap is fitted with a plastic plug at both ends

Step 1. If the holes are not aligned as shown, they need to be adjusted

Step 2. As shown, insert the screwdriver into 1 place and pry the flap support piece according to the direction 2, so that the hole of the flap support piece is aligned with the center of the hole of the flap piece

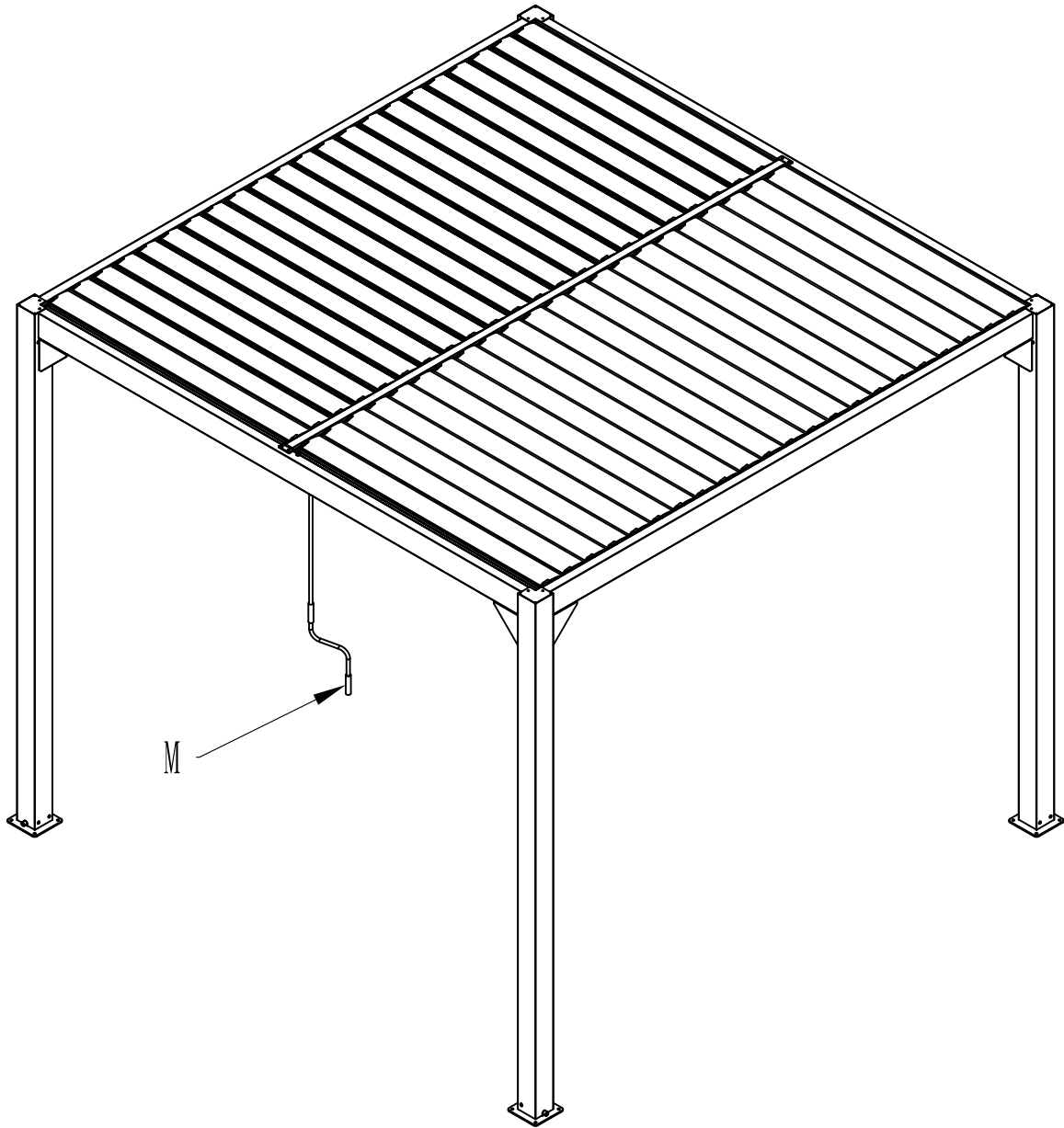
Step 3. After adjustment, the hole of the flap support member is aligned with the center of the hole of the flap

Step 4. Install the plastic plug N on the front mounting flap as shown in the picture box below



Step 5. Open the flap in half and insert the plastic plug N into the plug mounting holes at both ends of the flap as shown in the drawing in the upper circle.

16. Hang the hand Cranck M and turn it so that the flap opens or closes to complete the installation.



Care, Maintenance, Warranty

Care Instructions:

Our aluminium pergolas are designed to withstand outdoor elements with minimal maintenance required. To keep your pergola looking its best, regularly clean it with a soft cloth dampened with warm soapy water. Avoid abrasive cleaners or materials that could scratch the surface. Additionally, inspect the pergola periodically for any signs of damage or loose fittings, and tighten as necessary. With proper care, your aluminium pergola will continue to enhance your outdoor space for years to come. However, if you are living in a coastal area, it is recommended to hose down your Pergola occasionally to prevent sea spray erosion.

Maintenance Guidelines:

Maintaining your aluminium pergola is simple and straightforward. Due to its corrosion-resistant properties, aluminium requires minimal upkeep. However, it's important to periodically check for any accumulated debris, such as leaves or dirt, and promptly remove it to prevent staining or buildup. By following these maintenance guidelines, you can ensure that your pergola remains in optimal condition season after season.

Warranty Information:

We stand behind the quality of our aluminium pergolas and offer a comprehensive warranty to provide you with peace of mind. Our warranty covers manufacturing defects and structural integrity for a specified period from the date of purchase. To activate your warranty, be sure to retain your proof of purchase and adhere to any additional terms and conditions outlined in the warranty on the website. In the unlikely event that you encounter any issues covered by the warranty, please contact our customer service team for assistance. We are committed to ensuring your satisfaction with our products and will work diligently to resolve any concerns in a timely manner.

Other things to Consider:

Water Leakage: Improper installation or sealing of joints and connections may result in water leakage through the pergola during rain or irrigation. Ensure that all joints and connections are properly sealed with silicone caulk or waterproof sealant to prevent water infiltration. Regularly inspect the pergola for any signs of water leakage and address any issues promptly to prevent further damage.

Loose or Misaligned Panels: Due to thermal expansion and contraction, aluminium panels in pergolas may become loose or misaligned over time. To address this issue, check the fasteners securing the panels and tighten any that are loose. If panels are misaligned, gently adjust them back into position and secure them properly to prevent further movement.

Our pergolas are wind-rated to 75km/h (Beaufort Scale: 8). We recommend that you leave the louvres in the OPEN position when the pergola is not in use. The closed louvres act a bit like an umbrella catching gusts, so it's safer to let the wind blow through rather than exert force on the structure.

During rain showers, the Pergolas are waterproof. When the louvres are shut, rain water runs down the sides into internal gutters, then down through the legs rather than pouring out over the sides. However, please note that during heavy or torrential rain, water may drip through the louvred roof.